

[54] TELEVISION SUPPORT STAND OR SIMILAR ARTICLE

D. 212,791 11/1968 O'Donovan D6/179 X
3,241,633 3/1966 Bond et al. D6/178 X

[76] Inventor: Lloyd L. Oatman, 8830 E. Calle Bogota, Tucson, Ariz. 85715

Primary Examiner—Bruce W. Dunkins
Attorney, Agent, or Firm—J. Michael McClanahan

[**] Term: 14 Years

[57] CLAIM

[21] Appl. No.: 6,273

The ornamental design for a television support stand or similar article, as shown and described.

[22] Filed: Jan. 25, 1979

DESCRIPTION

[51] Int. Cl. D12-02

[52] U.S. Cl. D12/25; D6/177

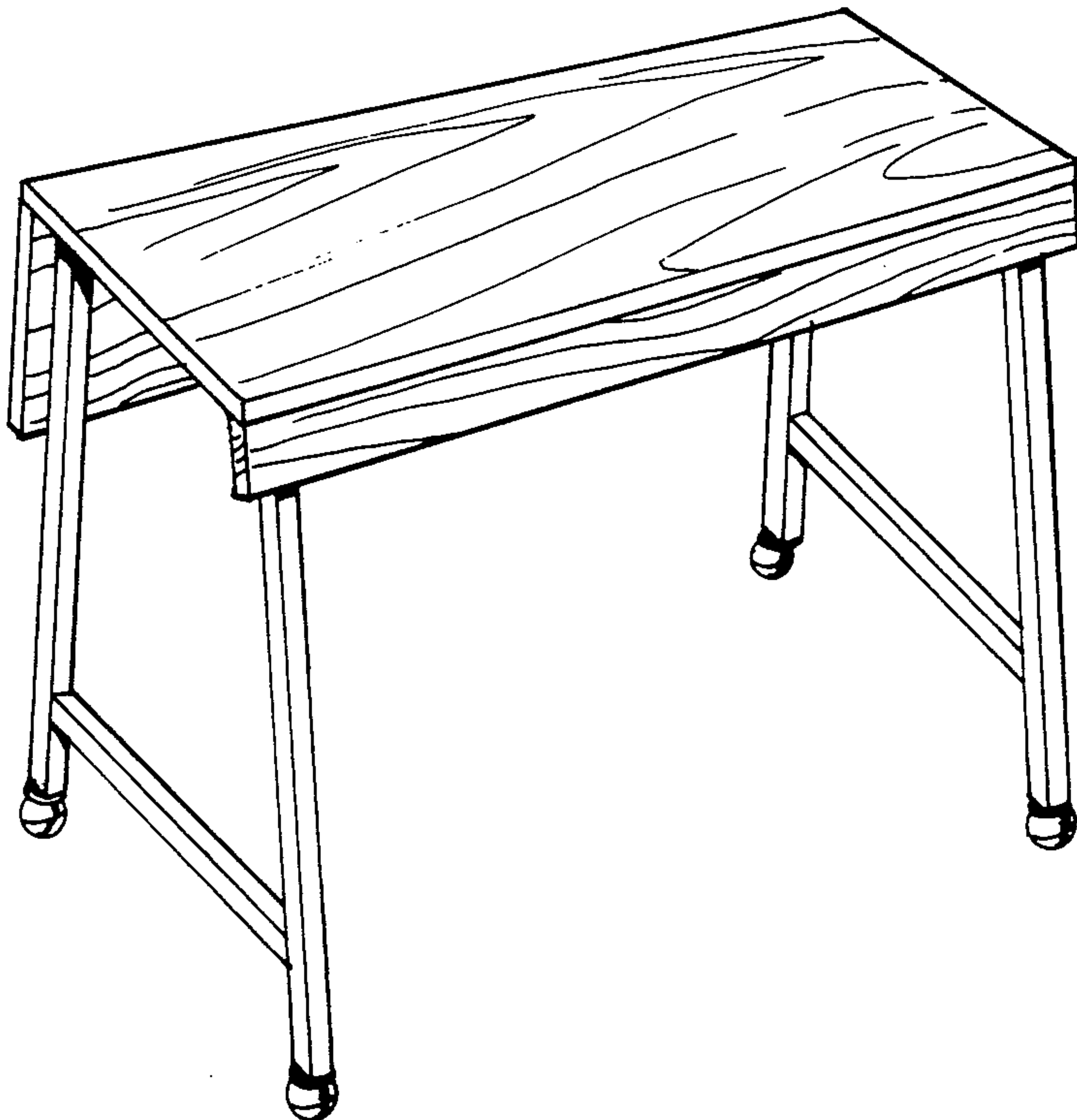
[58] Field of Search D6/85, 27, 146-149, D6/175, 177-179; D12/25, 29

FIG. 1 is a front perspective view of a television support stand or similar article showing my design; FIG. 2 is an end elevational view taken from the left in FIG. 1; FIG. 3 is a front elevational view; and FIG. 4 is a rear elevational view. The end not shown is a mirror image of the end shown in FIG. 2.

[56] References Cited

U.S. PATENT DOCUMENTS

D. 187,595 4/1960 Anderson D6/179



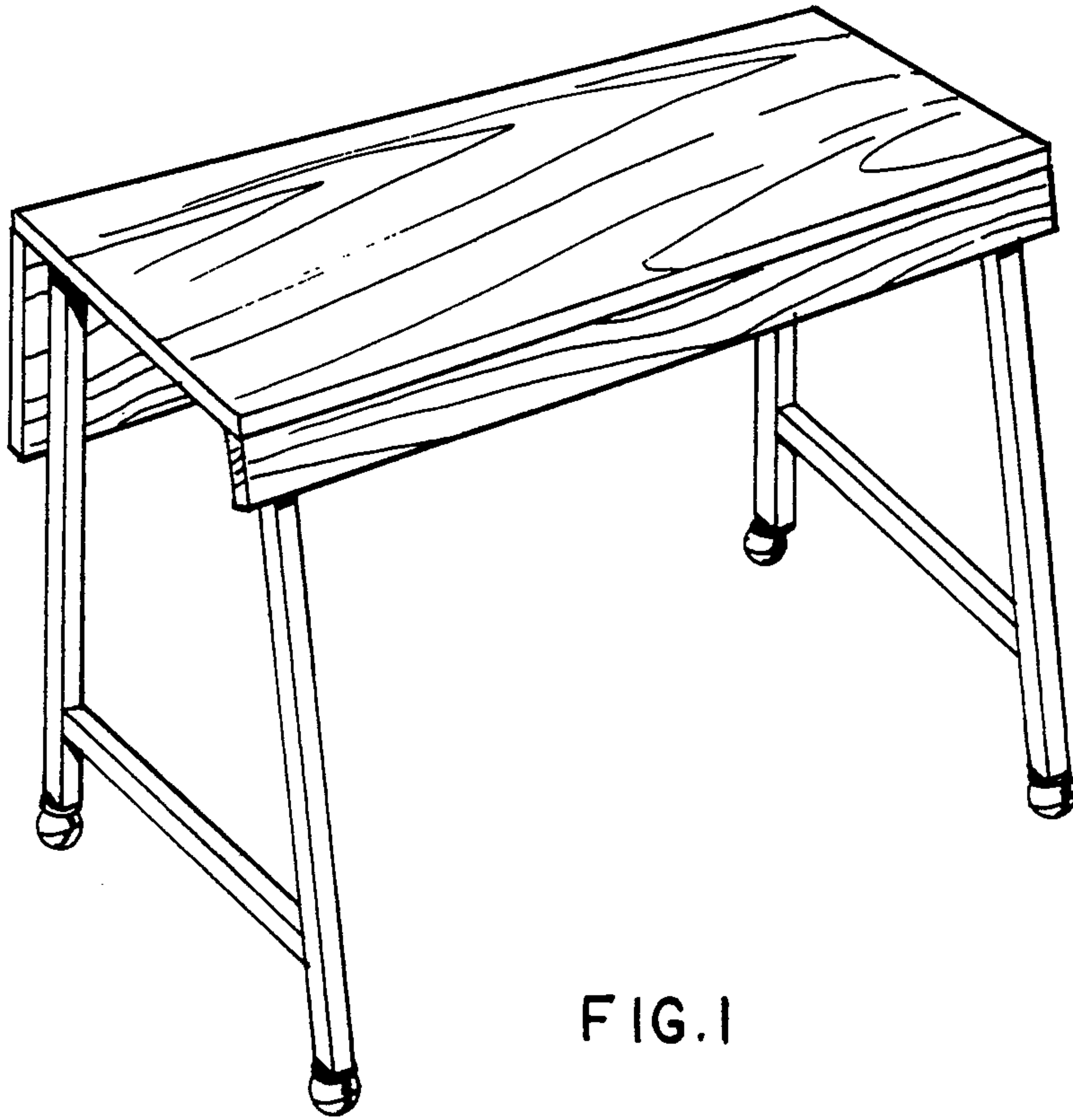


FIG. 1

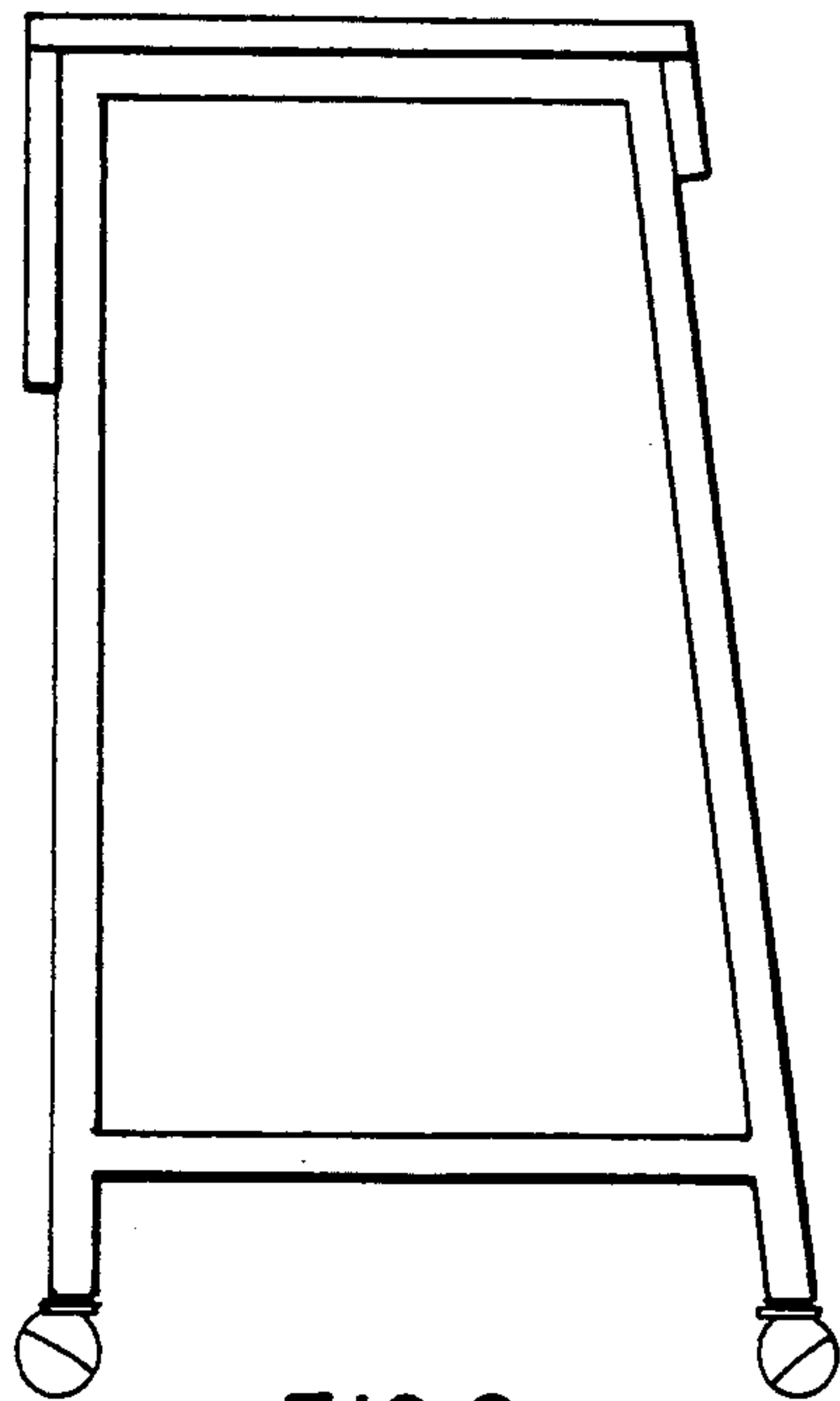


FIG. 2

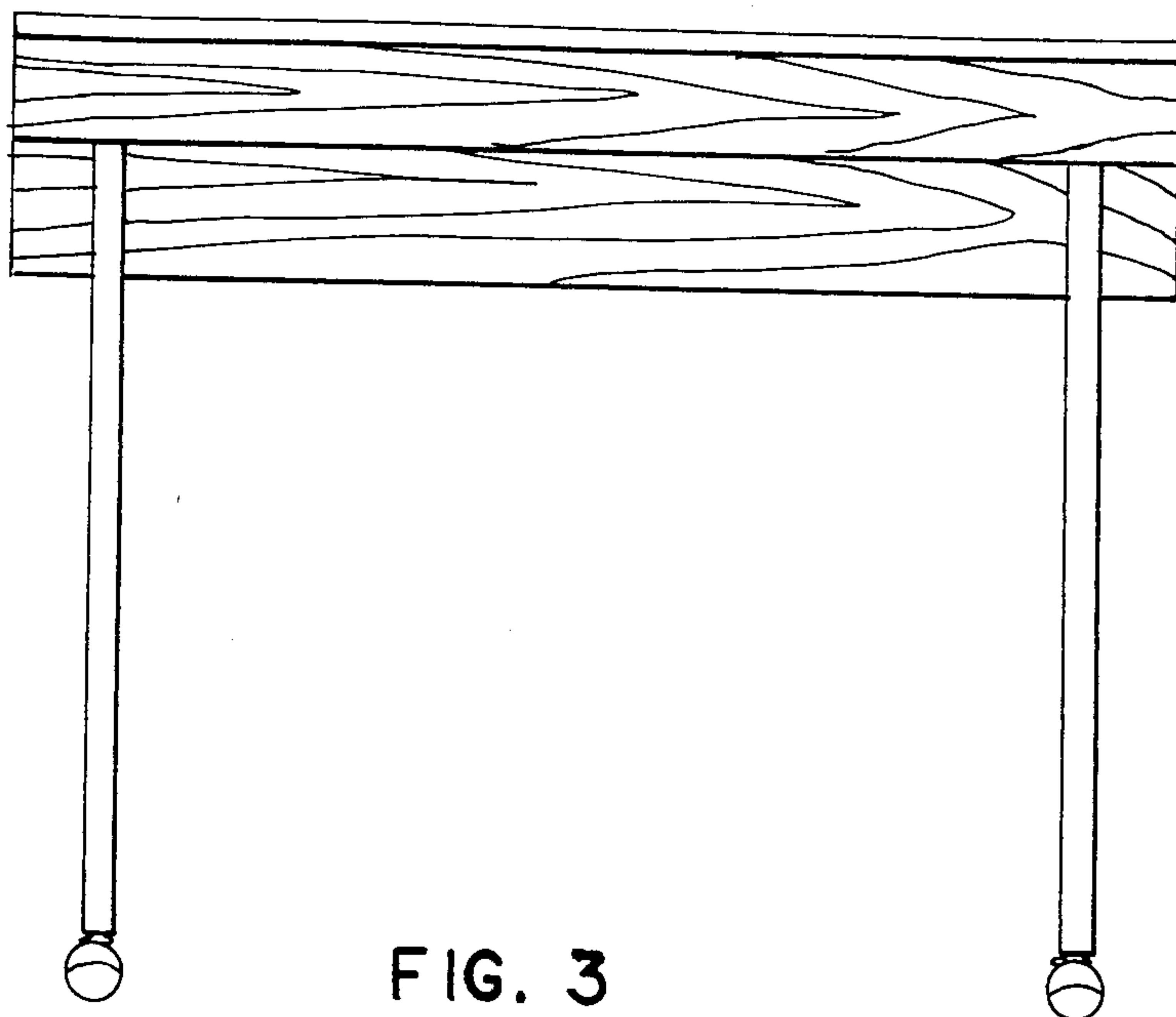


FIG. 3

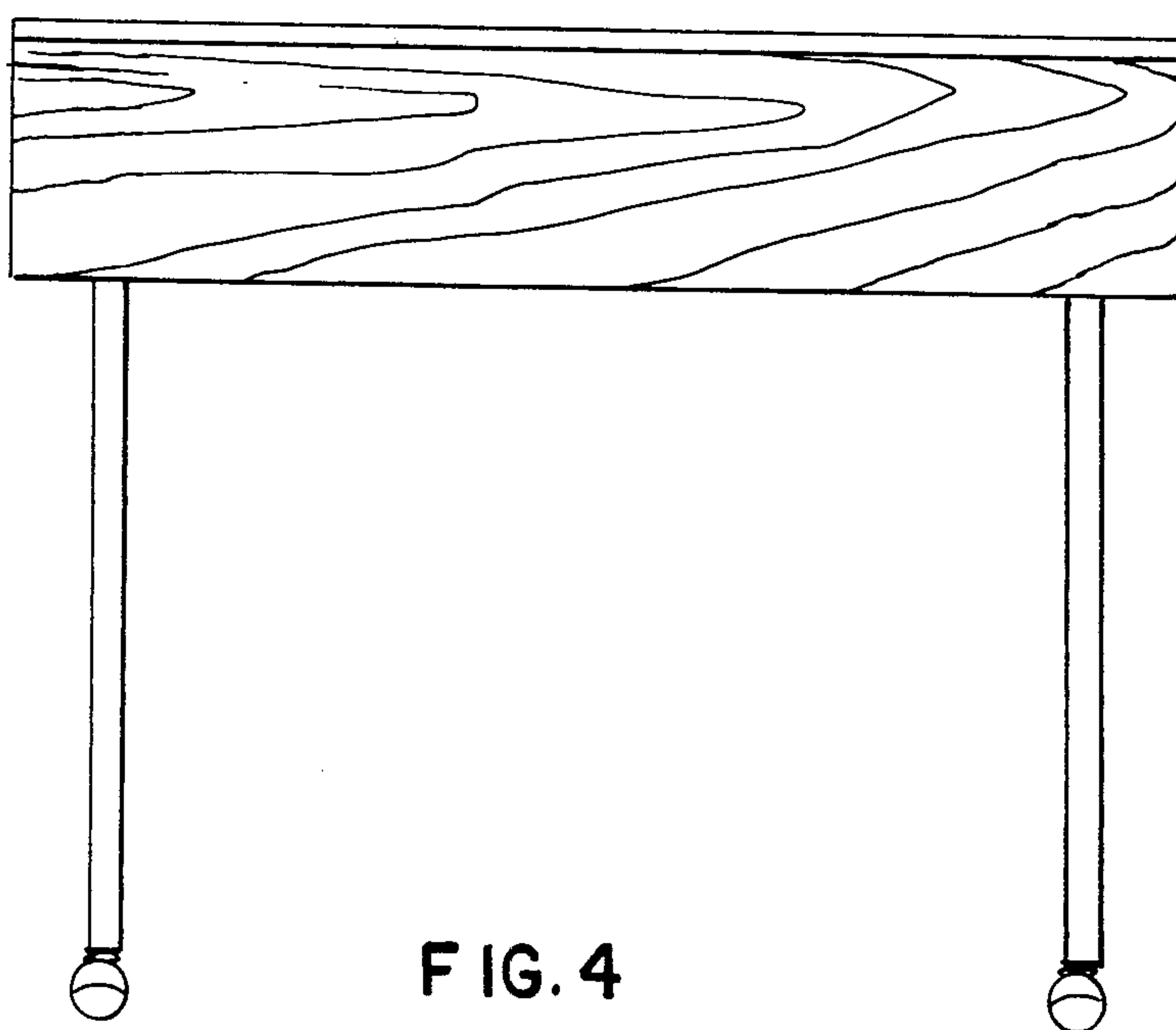


FIG. 4