

[54] **SPRING-COMPRESSING TOOL**  
[76] Inventor: **B. David Bowling**, 14846 Acton Dr.,  
San Jose, Calif. 95124

3,747,895 7/1973 Martin ..... 29/227 X  
3,814,382 6/1974 Castoe ..... 29/227 X  
4,036,473 7/1977 Kloster ..... 29/227 X

[\*\*] Term: **14 Years**

*Primary Examiner*—Alan P. Douglas  
*Attorney, Agent, or Firm*—A. C. Smith

[21] Appl. No.: **802,669**

[57] **CLAIM**

[22] Filed: **Jun. 2, 1977**

The ornamental design for a spring-compressing tool, as shown.

[51] Int. Cl. .... **D8—05**

[52] U.S. Cl. .... **D8/59; D8/51**

[58] Field of Search ..... **D8/59, 51; 29/227**

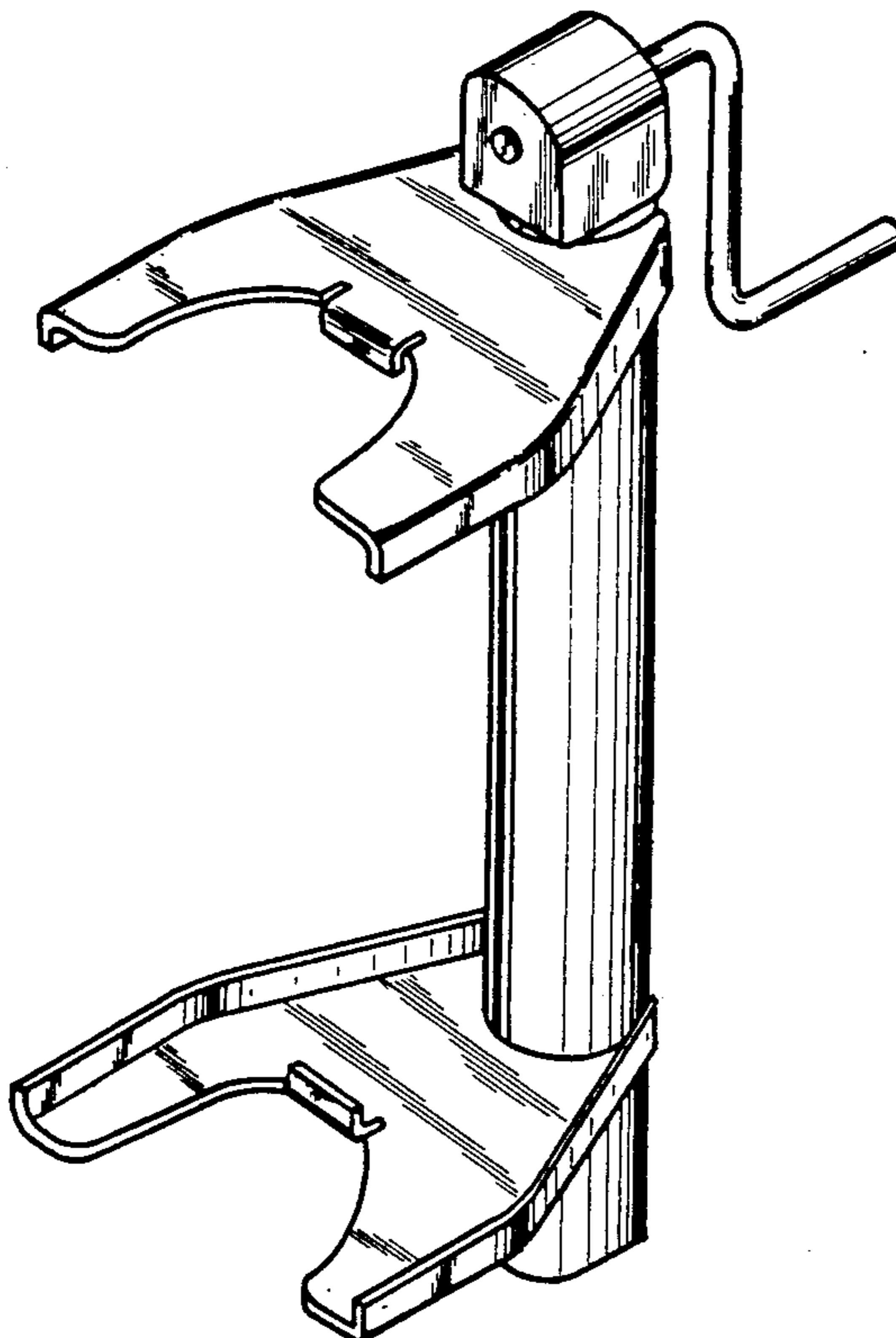
**DESCRIPTION**

[56] **References Cited**

FIG. 1 is a perspective view of the spring-compressing tool according to the present invention;  
FIG. 2 is a front view of the embodiment of FIG. 1;  
FIG. 3 is a plan view of the grips of FIGS. 1 and 2; and  
FIG. 4 is a side view of the tool of FIG. 1.

**U.S. PATENT DOCUMENTS**

D. 238,507 1/1976 Heen ..... D8/51



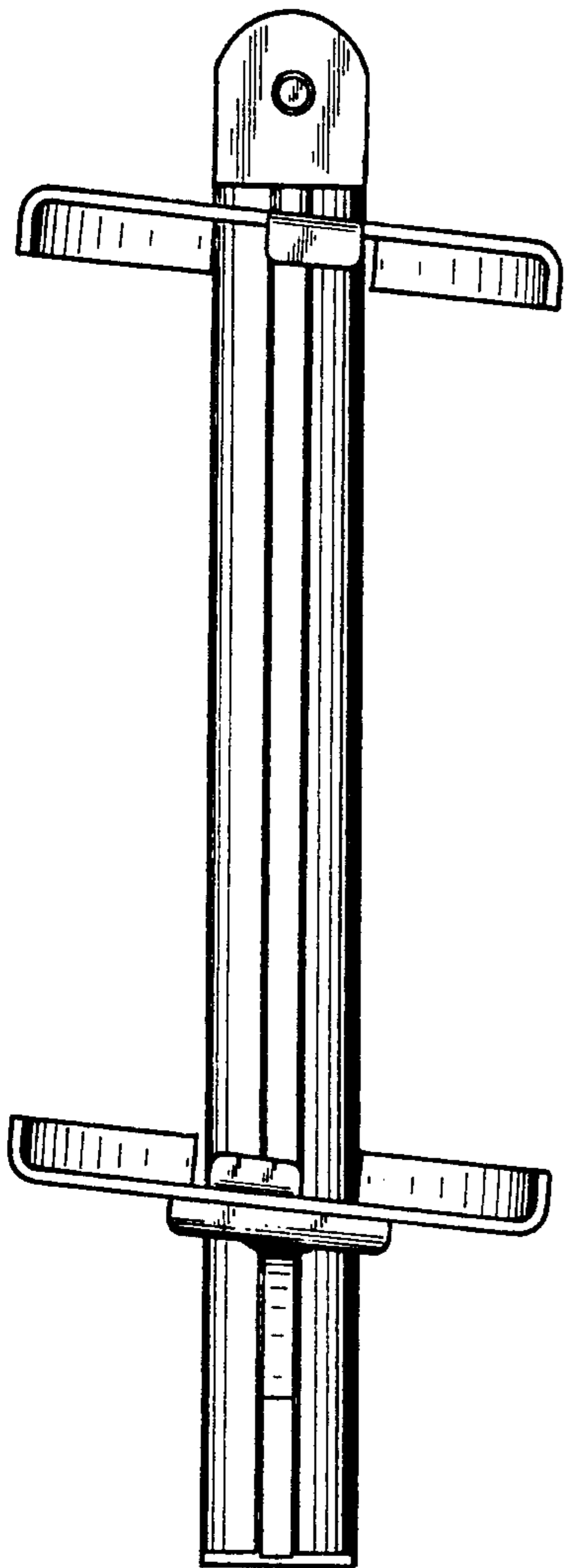


Figure 2

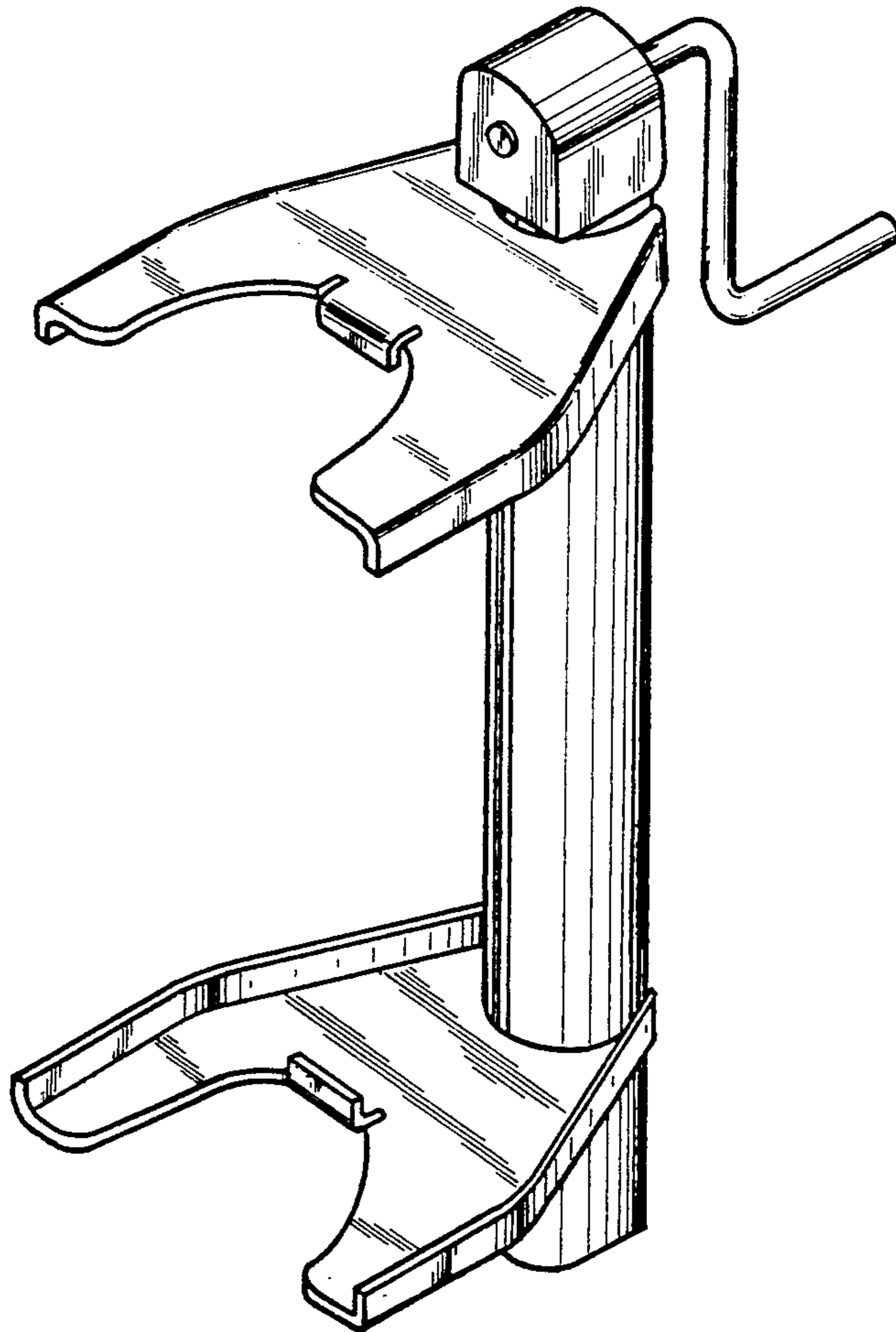


Figure 1

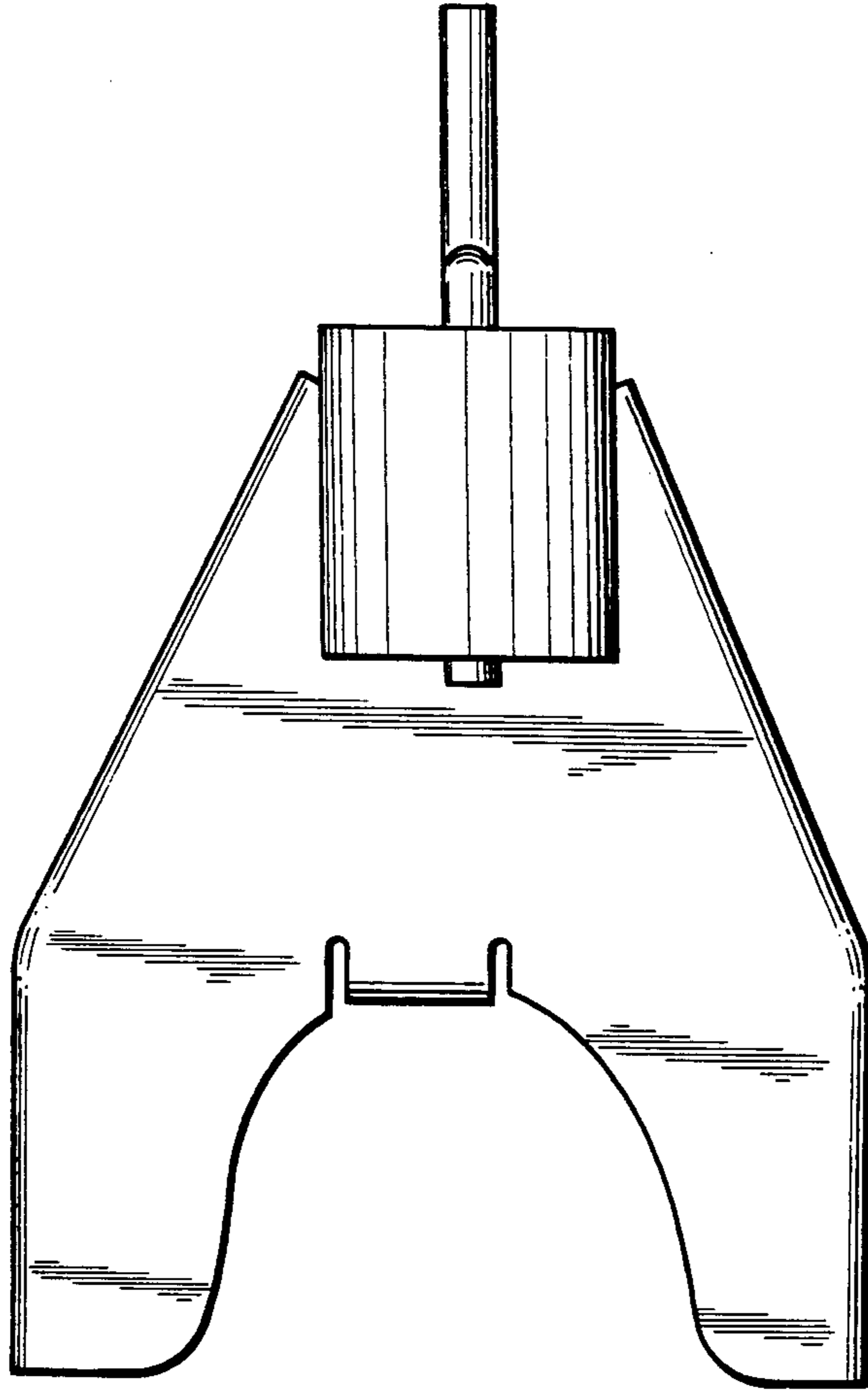


Figure 3

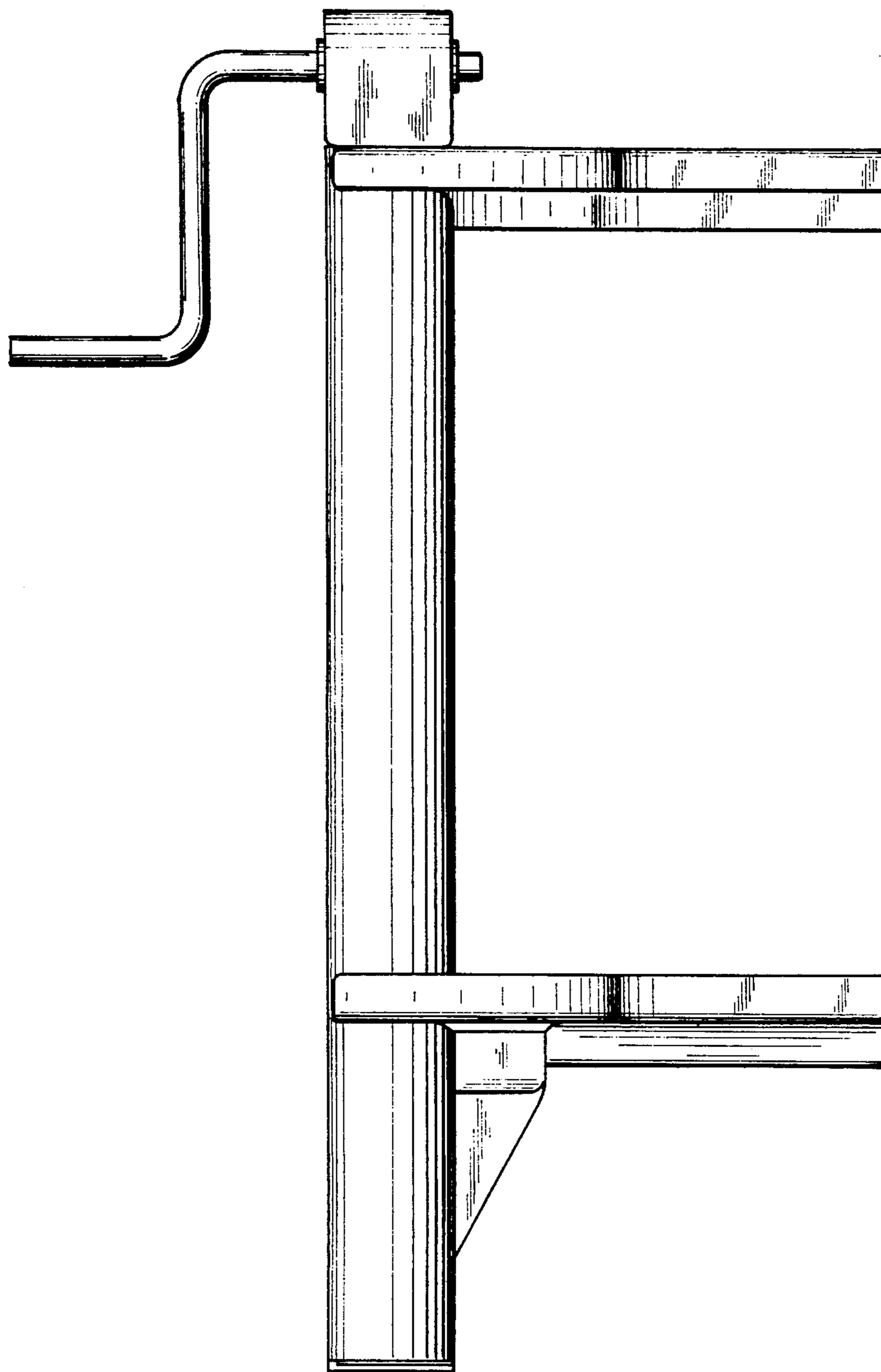


Figure 4