

[54] FOLDING DISH DRAINER

[75] Inventor: William D. Taylor, Wooster, Ohio

[73] Assignee: Rubbermaid Incorporated, Wooster, Ohio

[**] Term: 14 Years

[21] Appl. No.: 3,007

[22] Filed: Jan. 12, 1979

[51] Int. Cl. D7-05

[52] U.S. Cl. D7/188

[58] Field of Search D7/188; 211/13, 40, 211/41, 195, 200

[56] References Cited

U.S. PATENT DOCUMENTS

- D. 247,416 3/1978 Berman et al. D7/188
- D. 252,251 7/1979 Lundahl D7/188

4,212,400 7/1980 Buchsteiner 211/41

Primary Examiner—Catherine E. Kemper
Attorney, Agent, or Firm—Hamilton, Renner & Kenner

[57] CLAIM

The ornamental design for a folding dish drainer, as shown and described.

DESCRIPTION

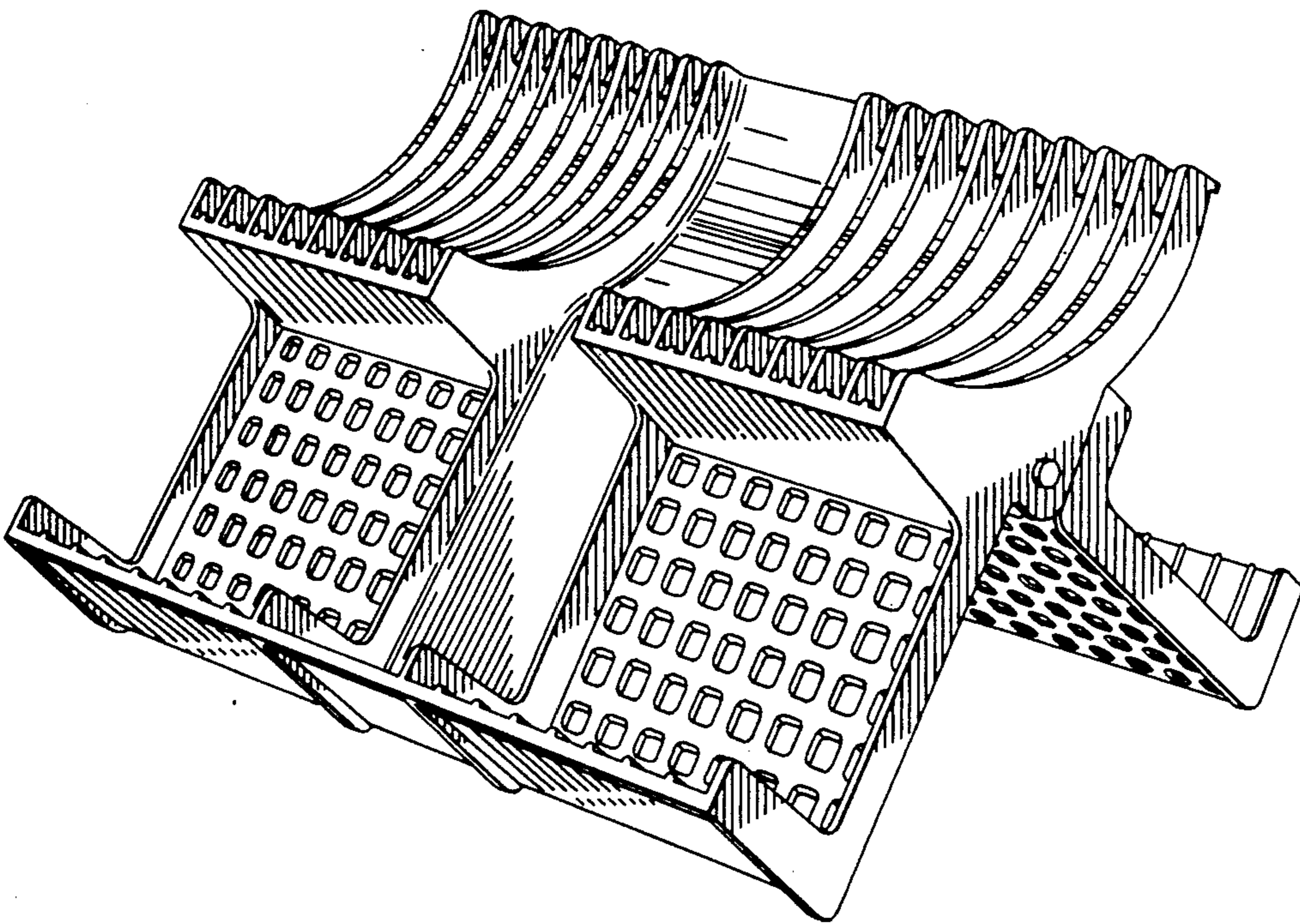
FIG. 1 is a front perspective view of a folding dish drainer showing my new design, the drainer being shown in unfolded position.

FIG. 2 is an enlarged rear end perspective view thereof.

FIG. 3 is an enlarged rear perspective view of the drainer in folded position.

FIG. 4 is a rear side elevational view of the drainer in folded position.

FIG. 5 is a front side elevational view of the drainer in folded position.



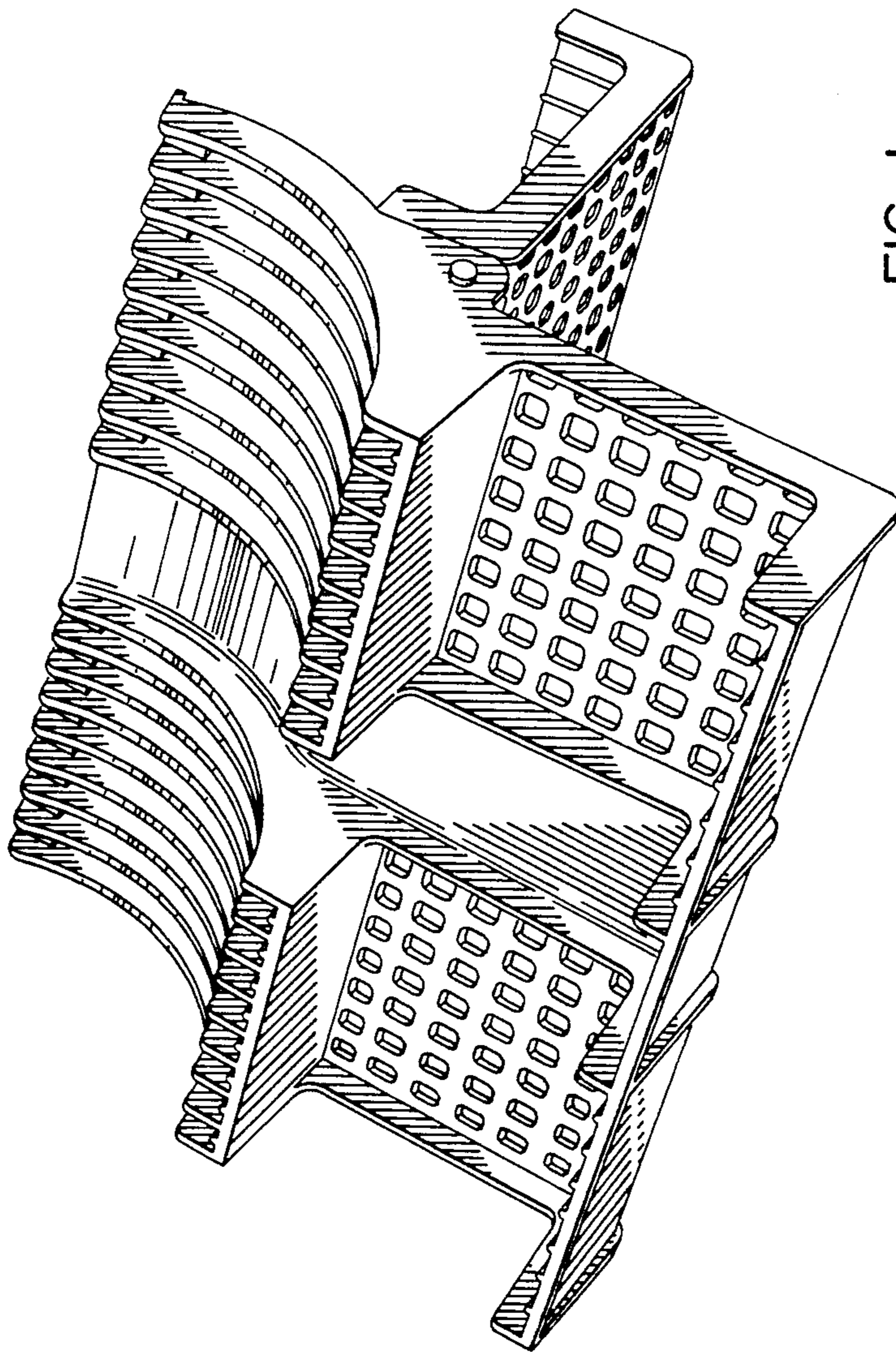
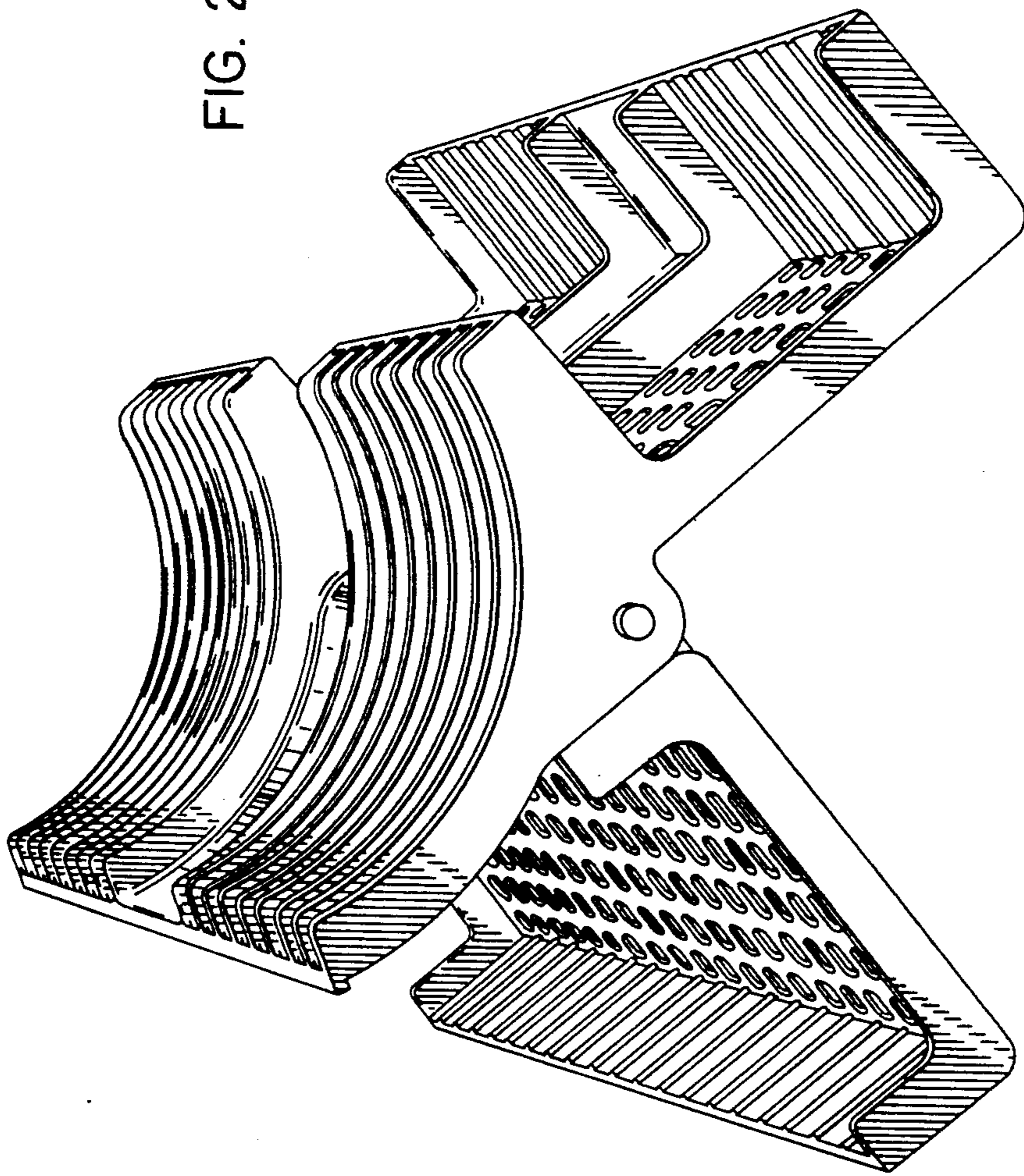


FIG. 1

FIG. 2



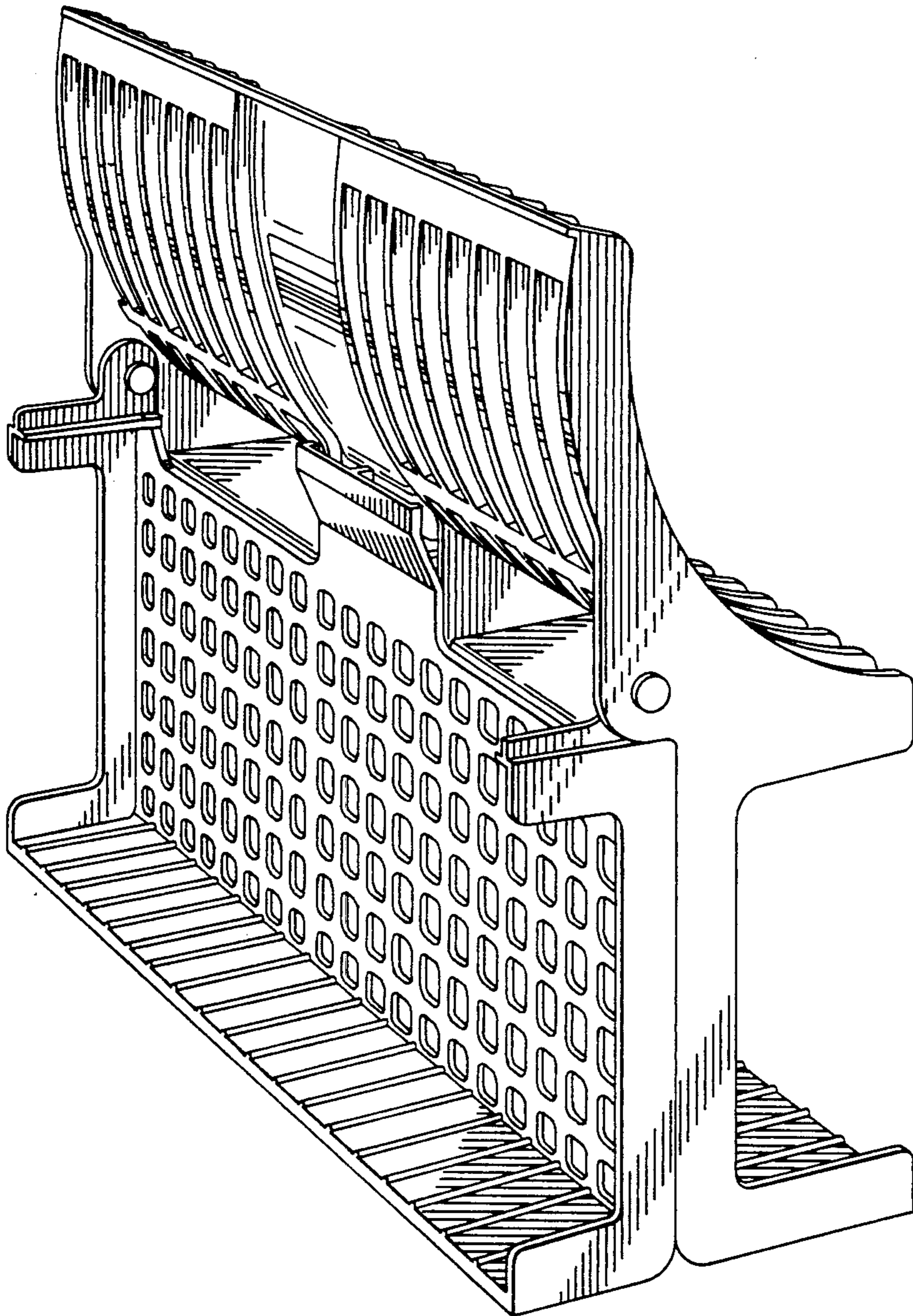


FIG. 3

FIG. 4

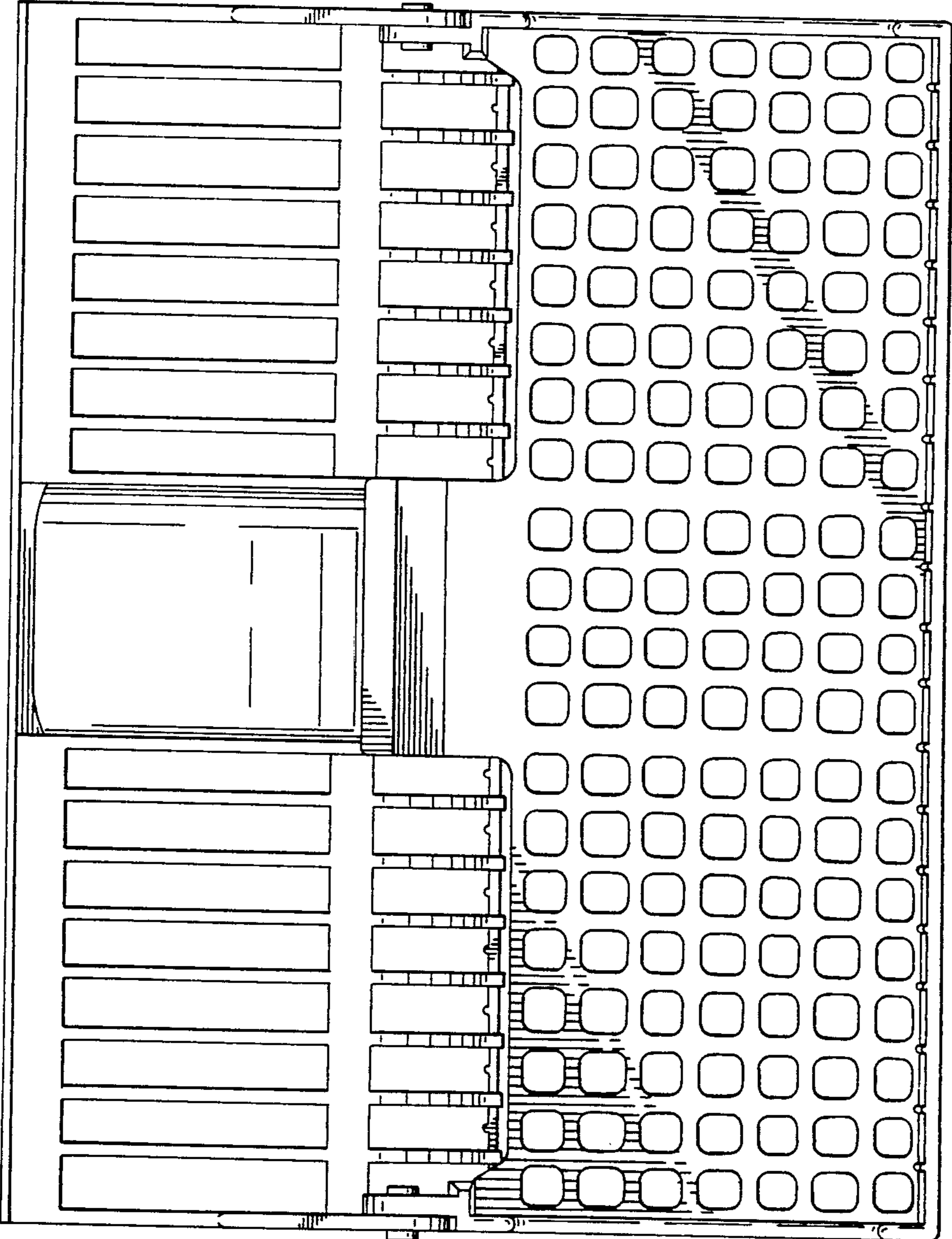


FIG. 5

