

[54] COMBINED GARMENT HANGER AND OVER-THE-SHOULDER CARRIER

[75] Inventors: Walter E. Steele, Braintree; George W. Upham, Lynn, both of Mass.

[73] Assignee: Heritage Products Corp., Reading, Mass.

[**] Term: 14 Years

[21] Appl. No.: 289

[22] Filed: Jan. 2, 1979

[51] Int. Cl. D6-08; D8-08

[52] U.S. Cl. D6/249; D6/116; D6/256; D8/373

[58] Field of Search D6/113, 247, 249-257; D8/354, 373; D3/30; 211/113, 119; 224/201, 265, 266; 223/85, 87, 88, 91, 92, 93, 95, 96

[56] References Cited

U.S. PATENT DOCUMENTS

D. 158,493 5/1950 Morris D6/116

D. 169,934	6/1953	Coon	D6/255
1,341,827	6/1920	Varicle	223/96
1,386,775	8/1921	Fulford	D6/249
2,536,394	1/1951	Roberts	224/201
3,118,544	1/1964	Franklin	D6/256

Primary Examiner—B. J. Bullock
Attorney, Agent, or Firm—James E. Mrose

[57] CLAIM

The ornamental design for a combined garment hanger and over-the-shoulder carrier, substantially as shown.

DESCRIPTION

FIG. 1 is a perspective view of a combined garment hanger and over-the-shoulder carrier showing my new design;

FIG. 2 is a front elevational view thereof;

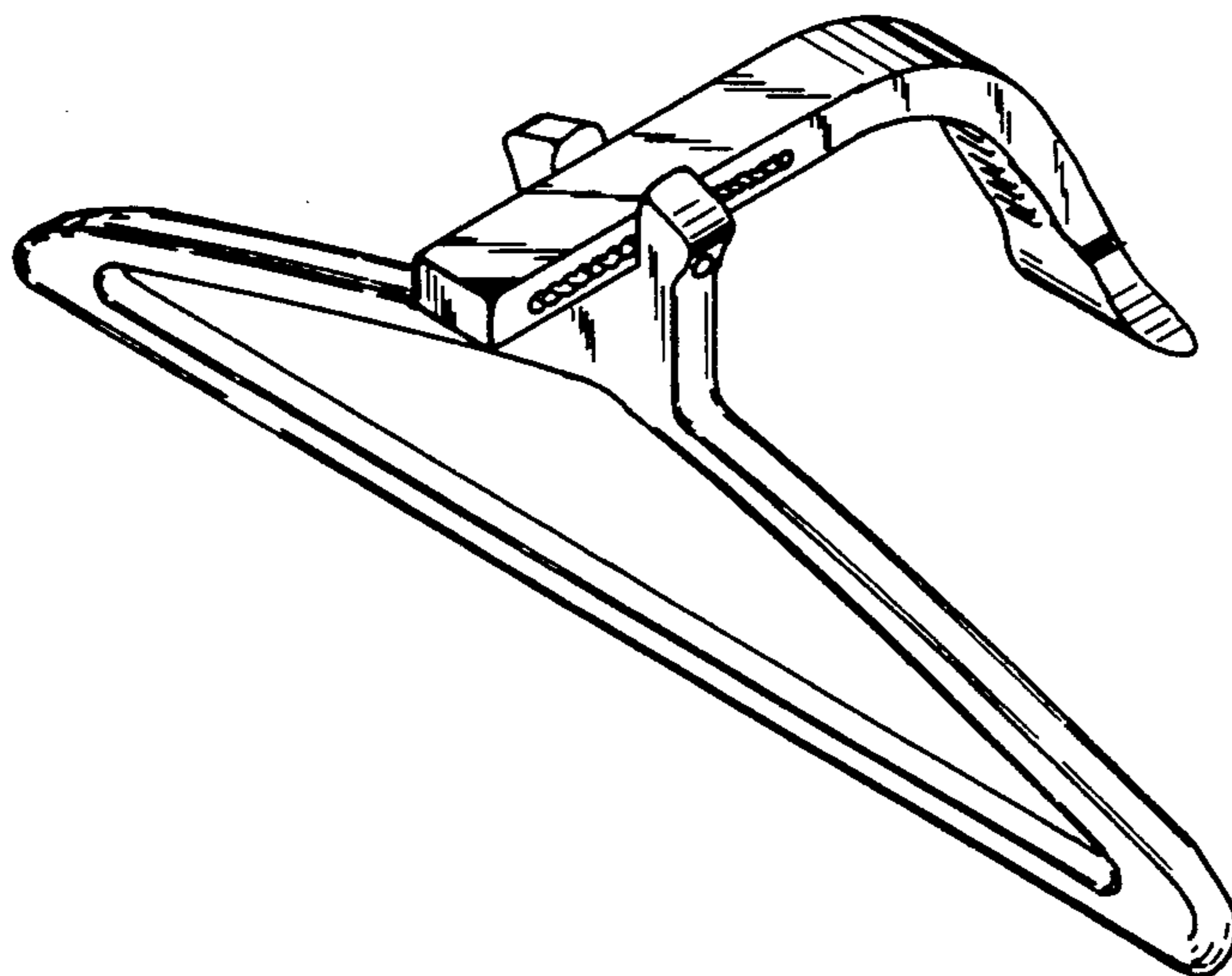
FIG. 3 is a top plan view thereof;

FIG. 4 is a bottom plan view thereof;

FIG. 5 is a rear elevational view thereof;

FIG. 6 is a side elevational view taken from the right of FIG. 2; and

FIG. 7 is a side elevational view taken from the left of FIG. 2.



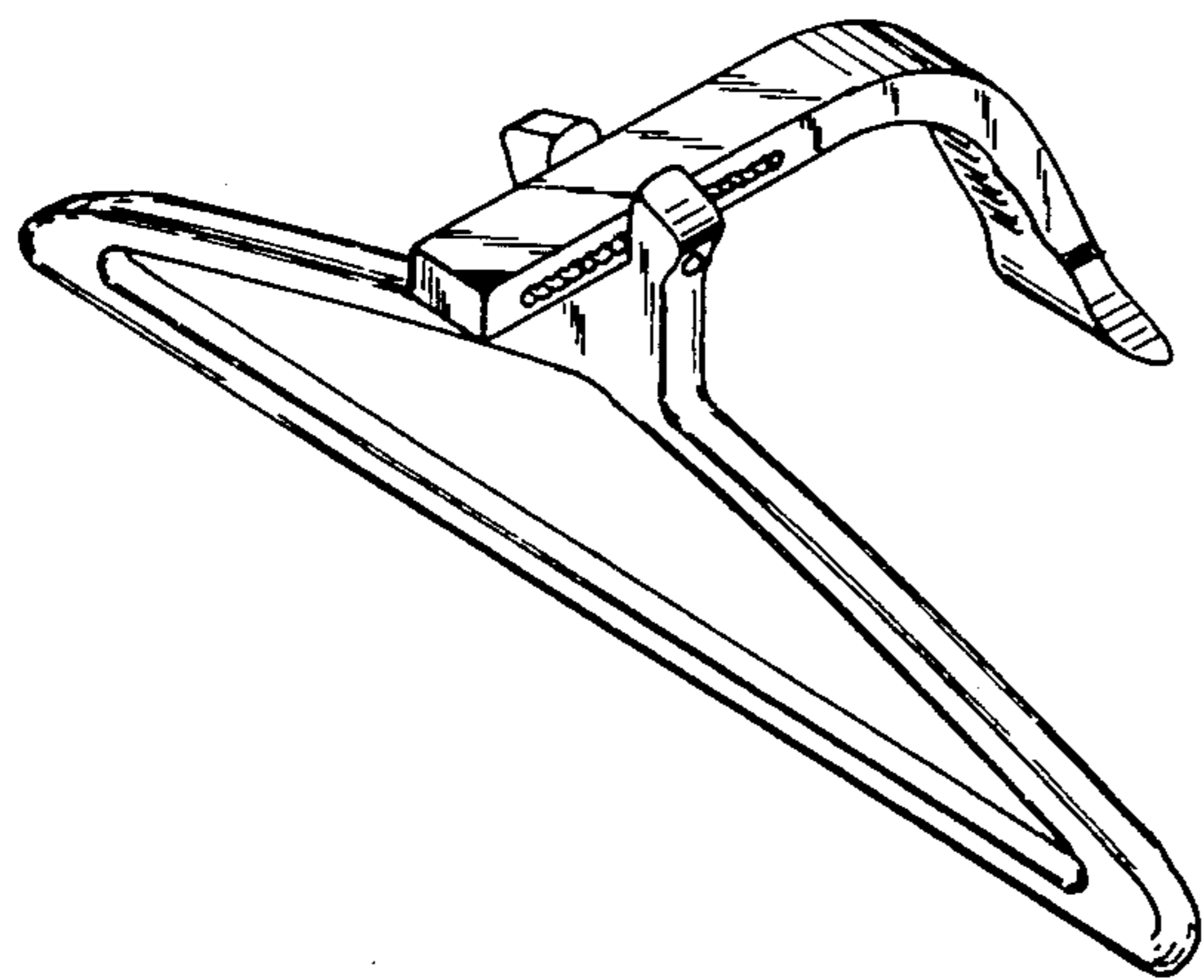


FIG. 1

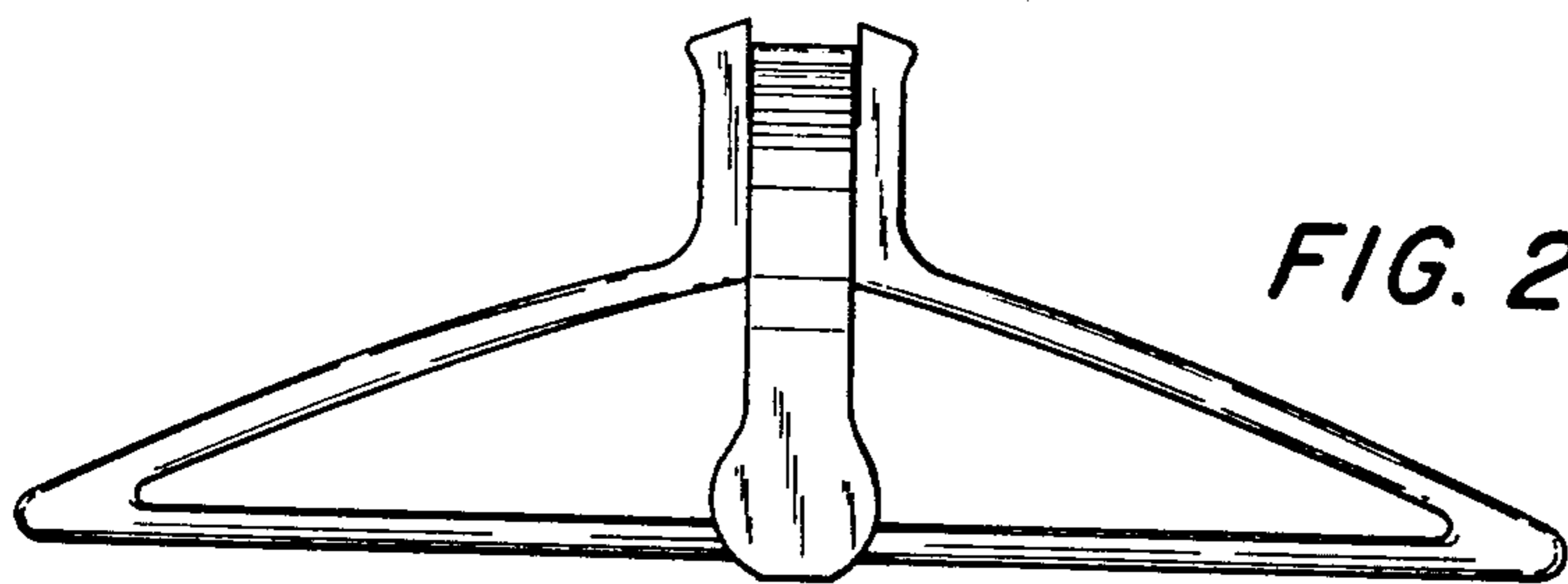


FIG. 2

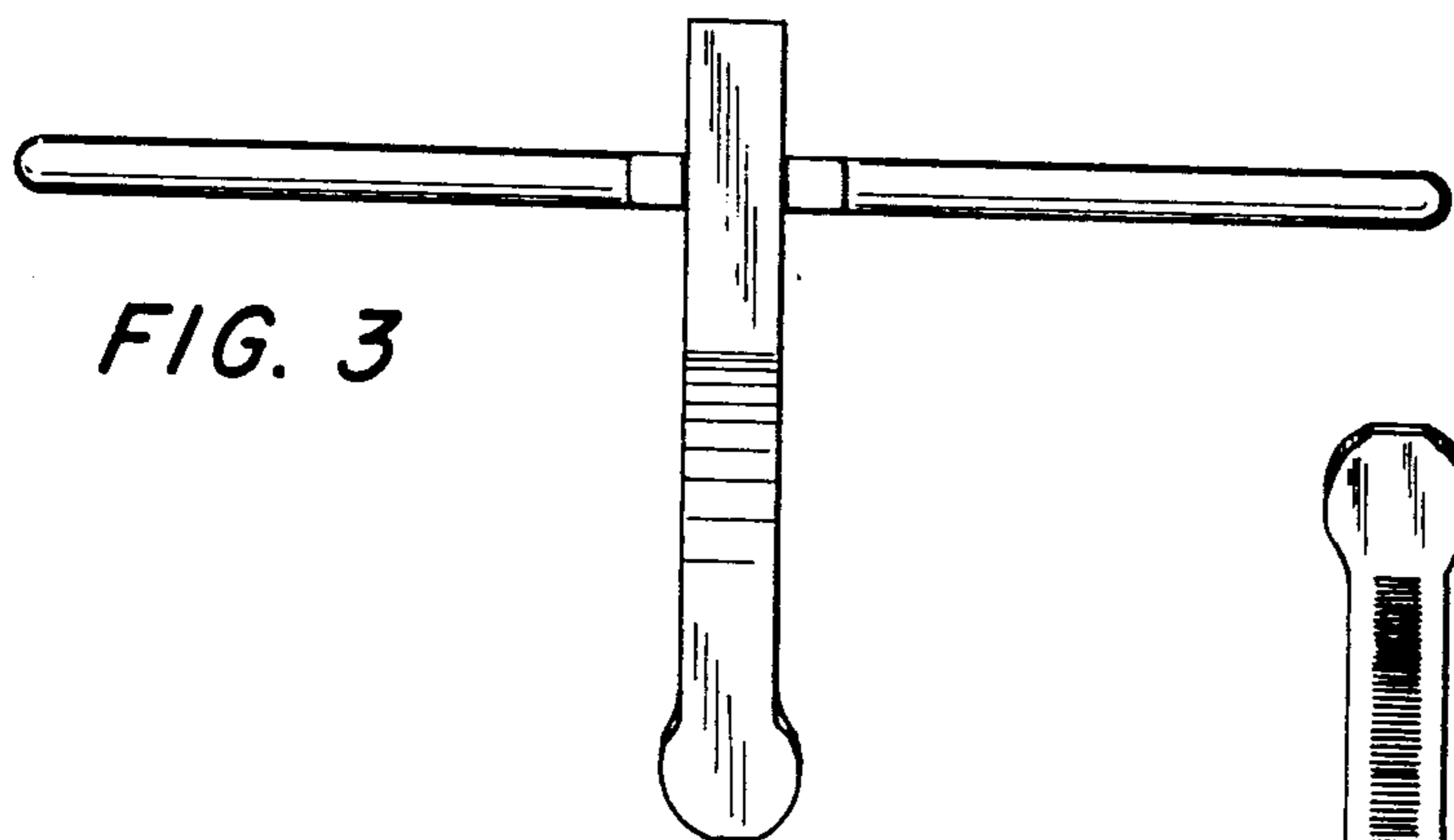


FIG. 3

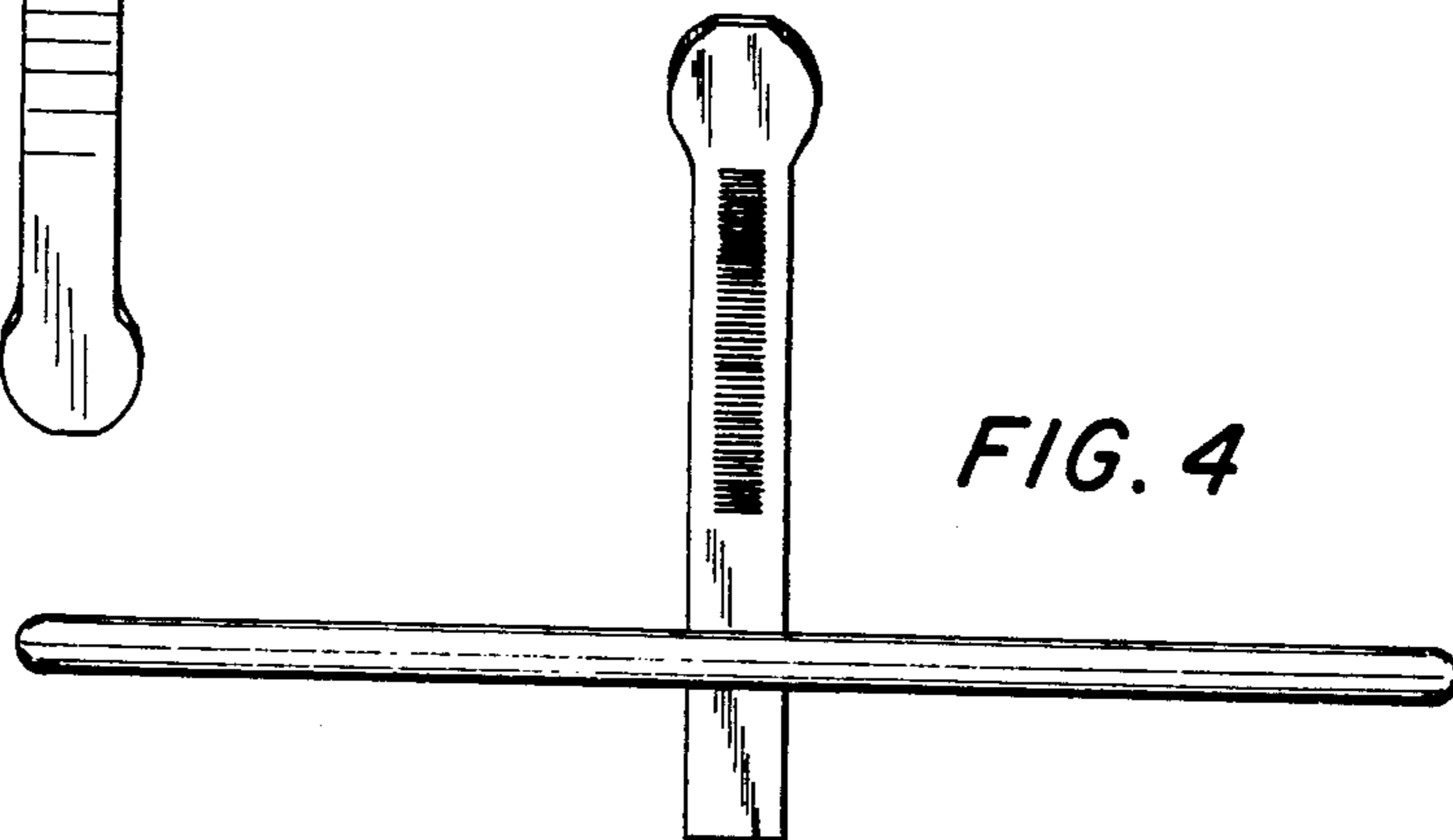


FIG. 4

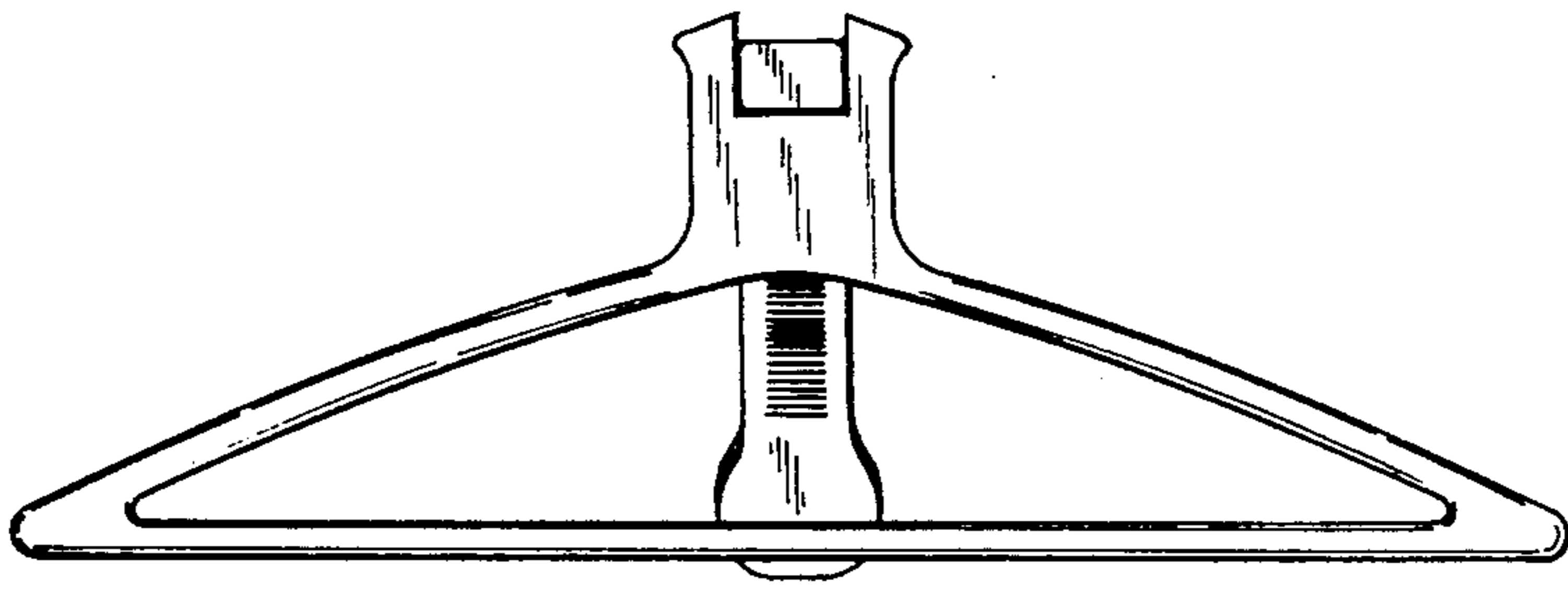


FIG. 5

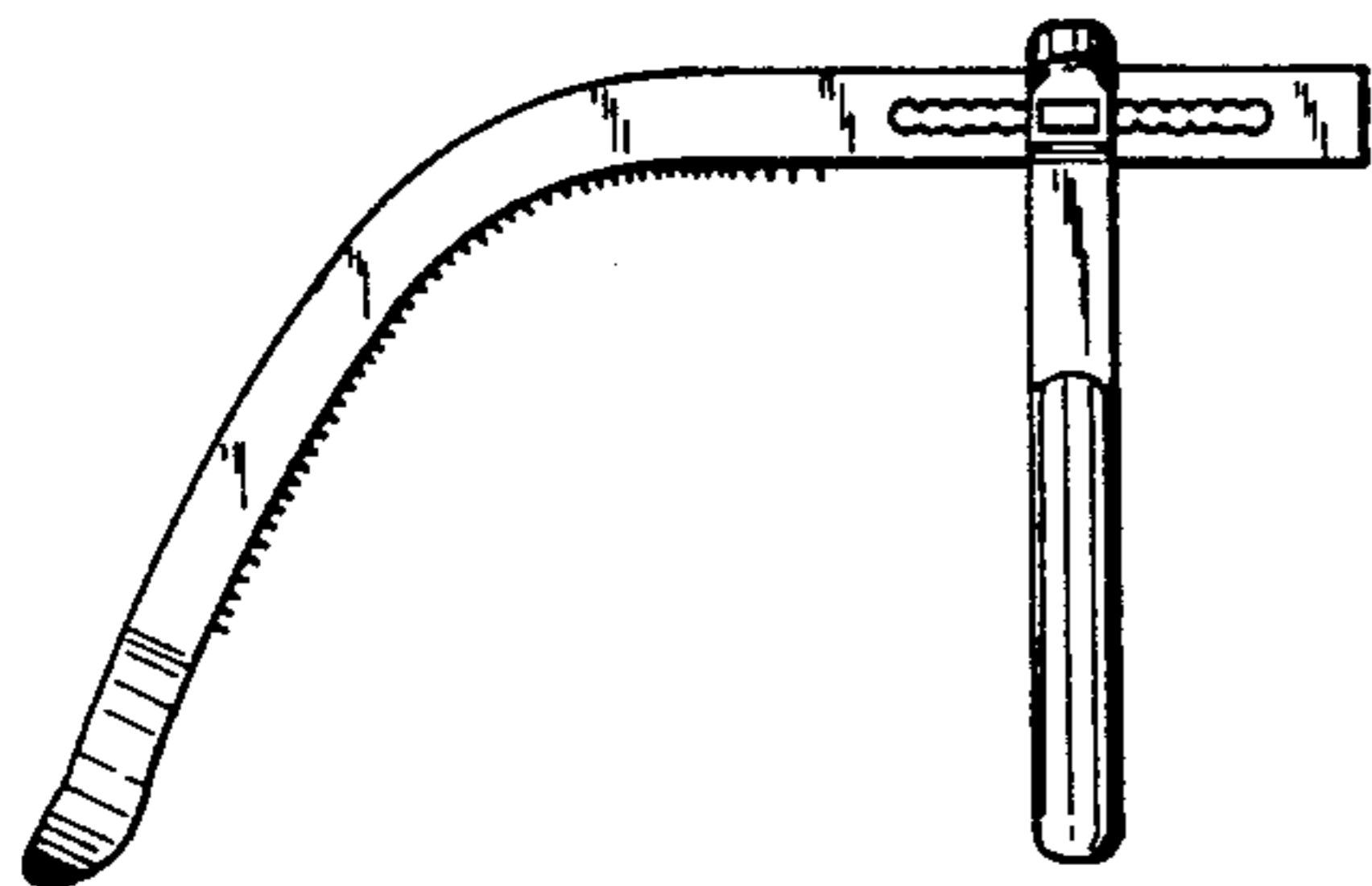


FIG. 6

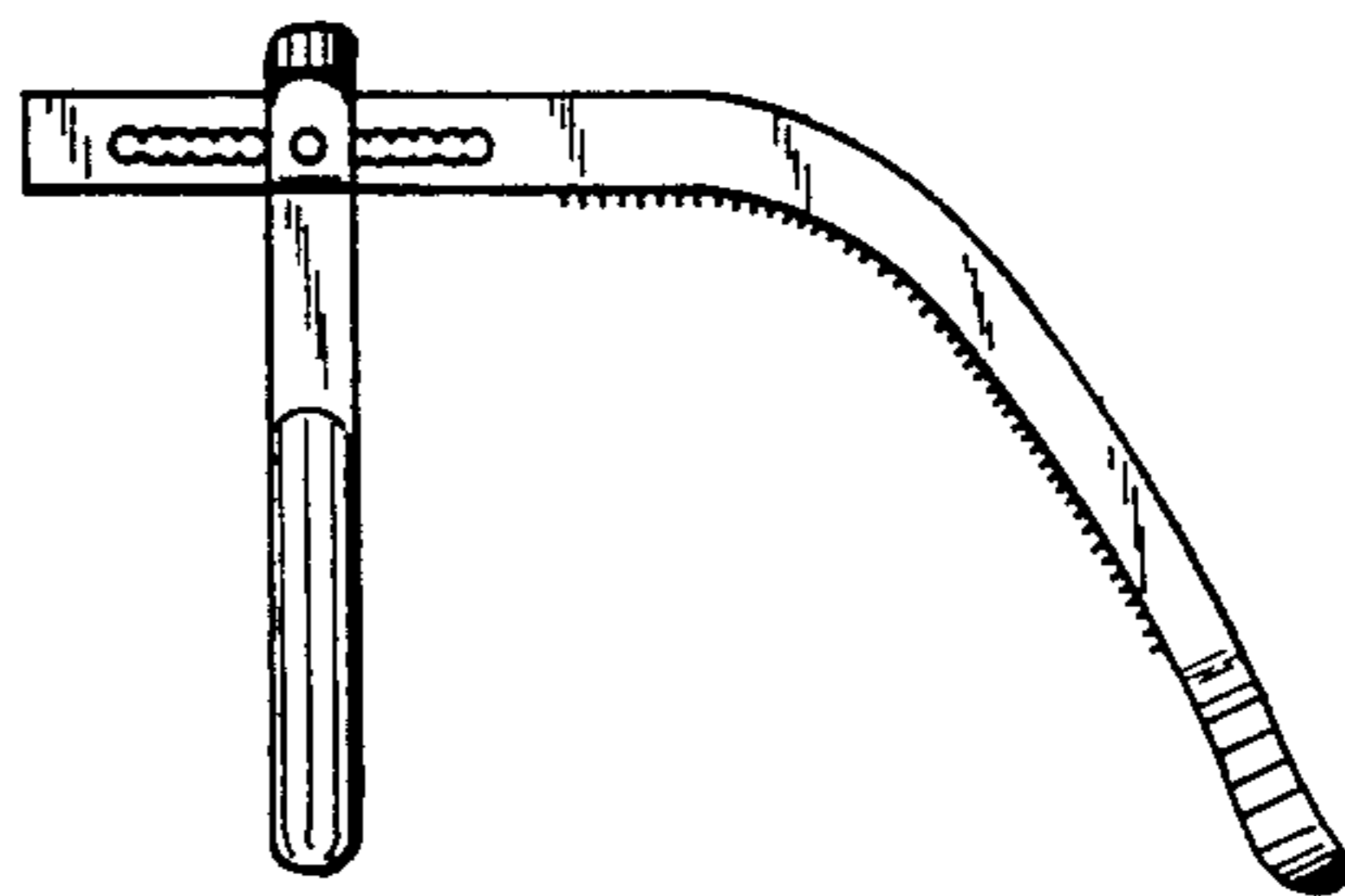


FIG. 7