

[54] **STACKABLE TRAY OR SIMILAR ARTICLE**

[75] Inventors: **Dominic R. Bartholomew, Jr.,**  
 Fountain Valley; **Albert R. Waltz,**  
 Fullerton, both of Calif.

[73] Assignee: **Hughes Aircraft Company,** Culver  
 City, Calif.

[\*\*] Term: **14 Years**

[21] Appl. No.: **949,489**

[22] Filed: **Oct. 10, 1978**

[51] Int. Cl. .... **D6-04**

[52] U.S. Cl. .... **D6/114; D6/136;**  
**D6/199**

[58] Field of Search ..... **D6/130, 132, 157, 188;**  
**211/10, 11, 14, 40, 45, 46, 48, 55, 128**

[56] **References Cited**

**U.S. PATENT DOCUMENTS**

D. 93,082	8/1934	Wright .....	D6/189
D. 243,647	3/1977	Schoenfeld .....	D6/185 X
D. 243,897	4/1977	Smith .....	D6/185 X

D. 244,335	5/1977	Hjelle .....	D6/188
3,759,395	9/1973	Juhlin .....	D6/185 X
3,786,927	1/1974	Manheim .....	211/40 X
4,125,192	11/1978	Dayen .....	211/14

*Primary Examiner*—Bruce W. Dunkins  
*Attorney, Agent, or Firm*—Lewis B. Sternfels; W. H.  
 MacAllister

[57] **CLAIM**

The ornamental design for a stackable tray or similar article, as shown.

**DESCRIPTION**

FIG. 1 is a perspective view of a handling tray showing our new design;  
 FIG. 2 is a side view thereof;  
 FIG. 3 is a front view thereof;  
 FIG. 4 is a top view thereof;  
 FIG. 5 is a back view thereof;  
 FIG. 6 is a bottom view thereof;  
 FIG. 7 is a sectional view taken along the line 7-7 of FIG. 3; and  
 FIG. 8 is a sectional view taken along the line 8-8 of FIG. 3.

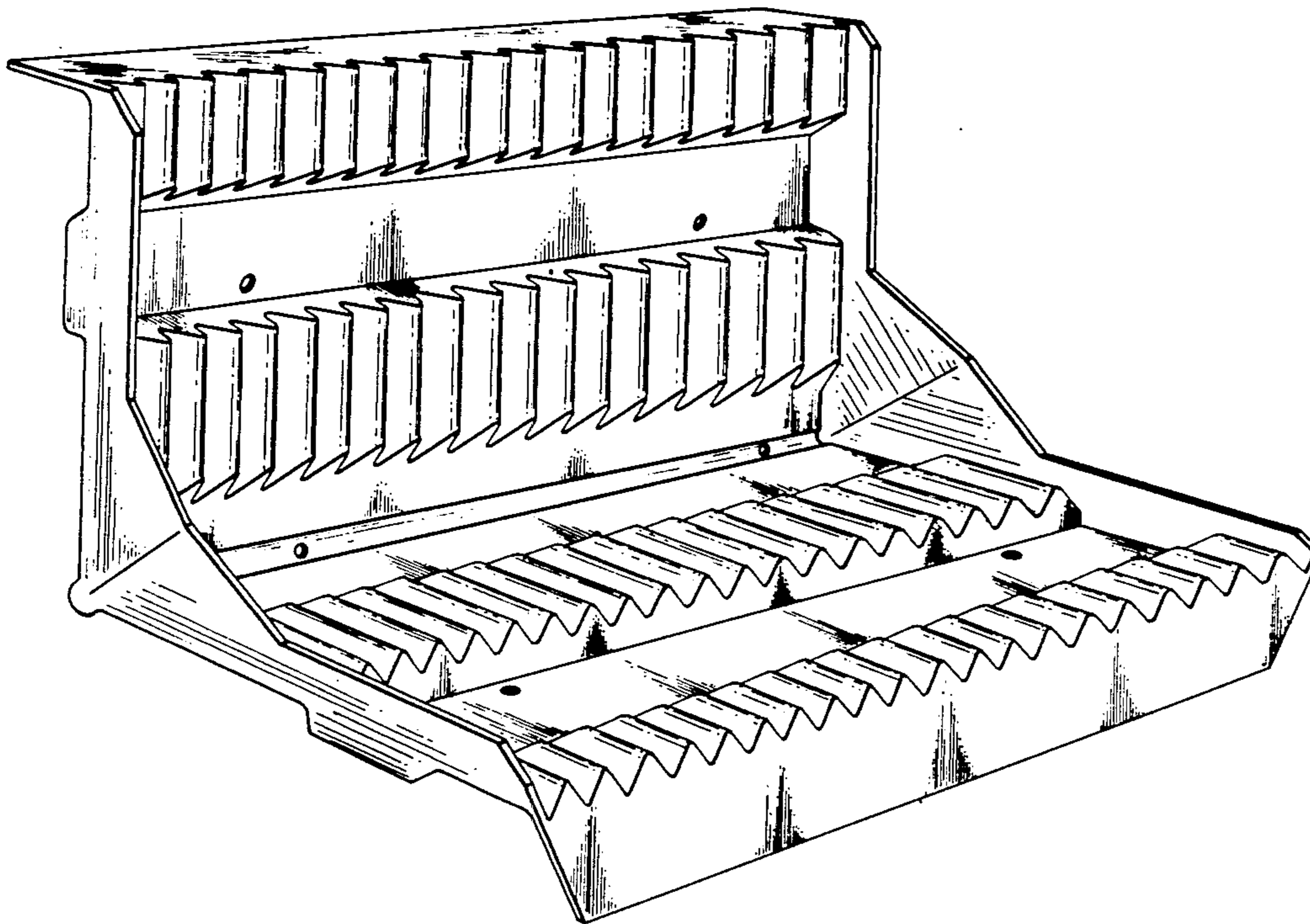
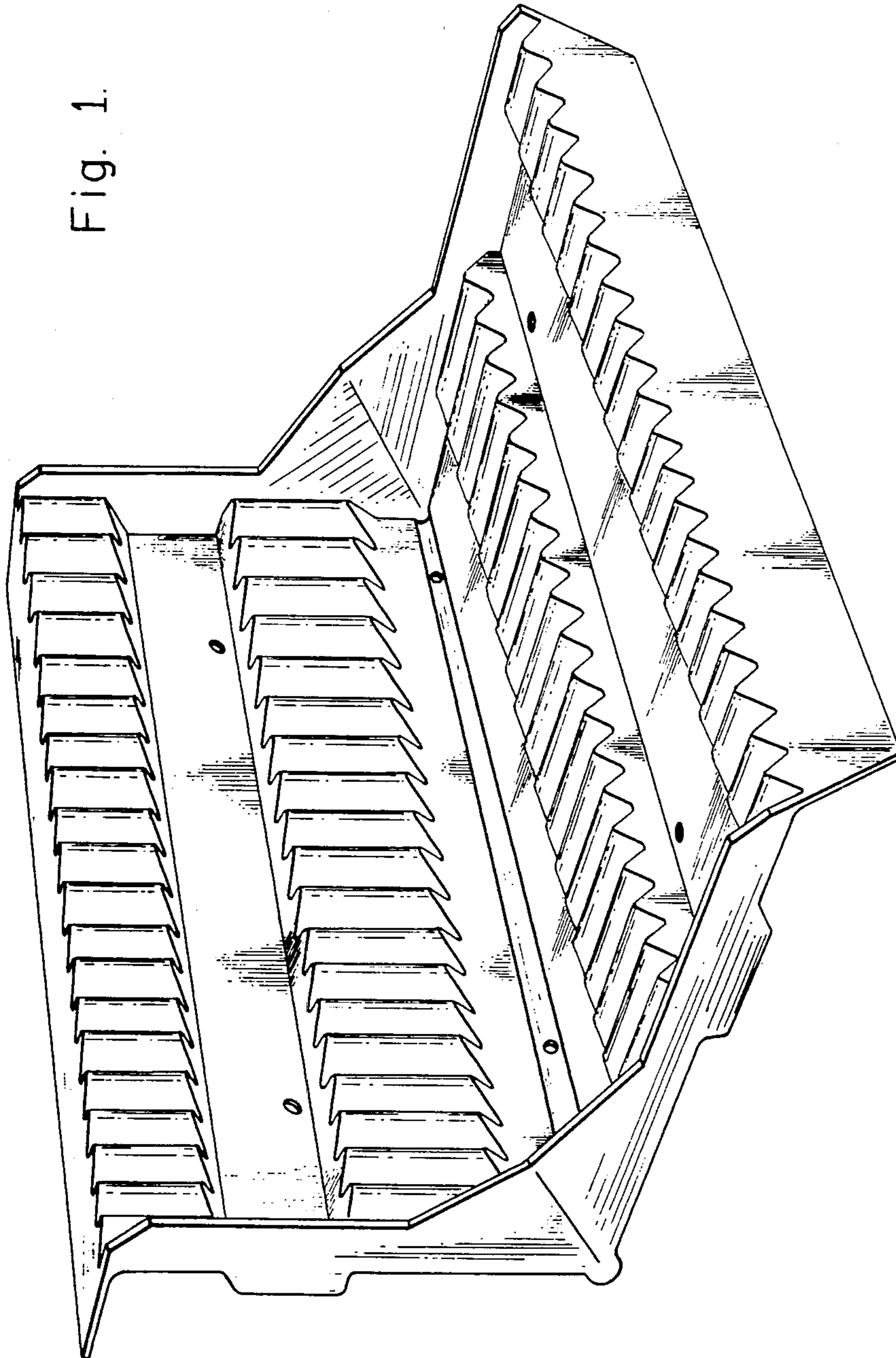


Fig. 1.



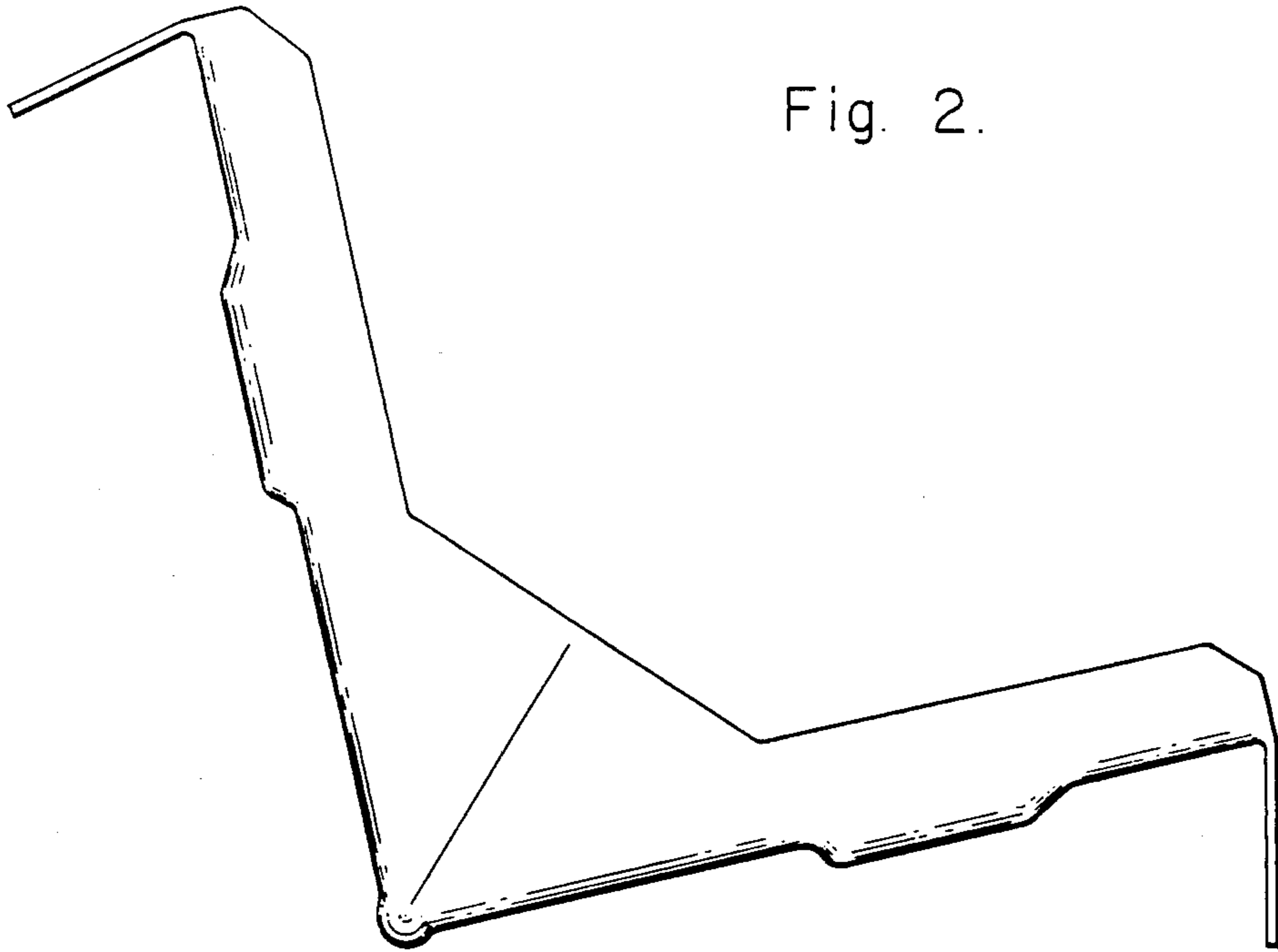


Fig. 2.

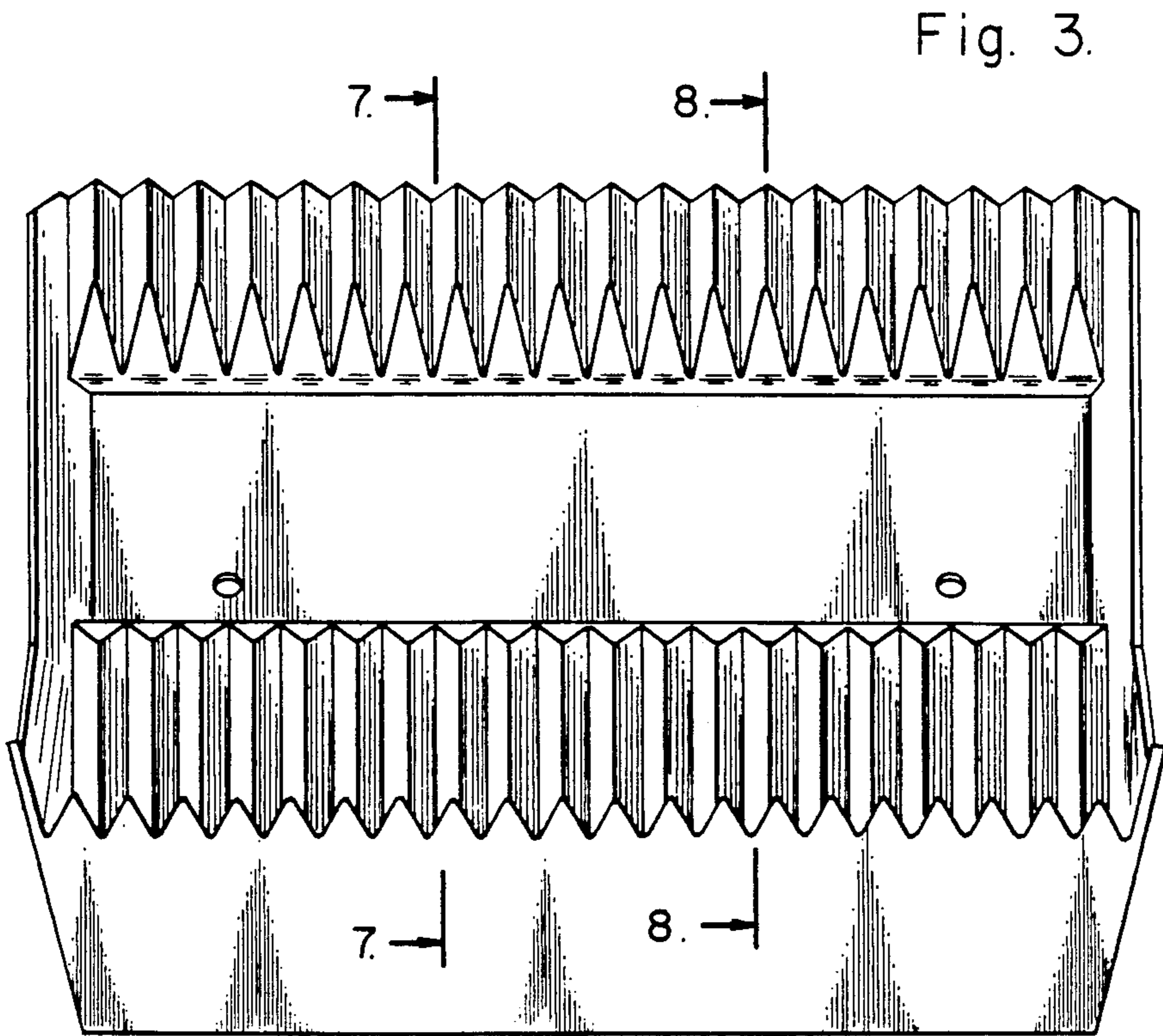


Fig. 3.



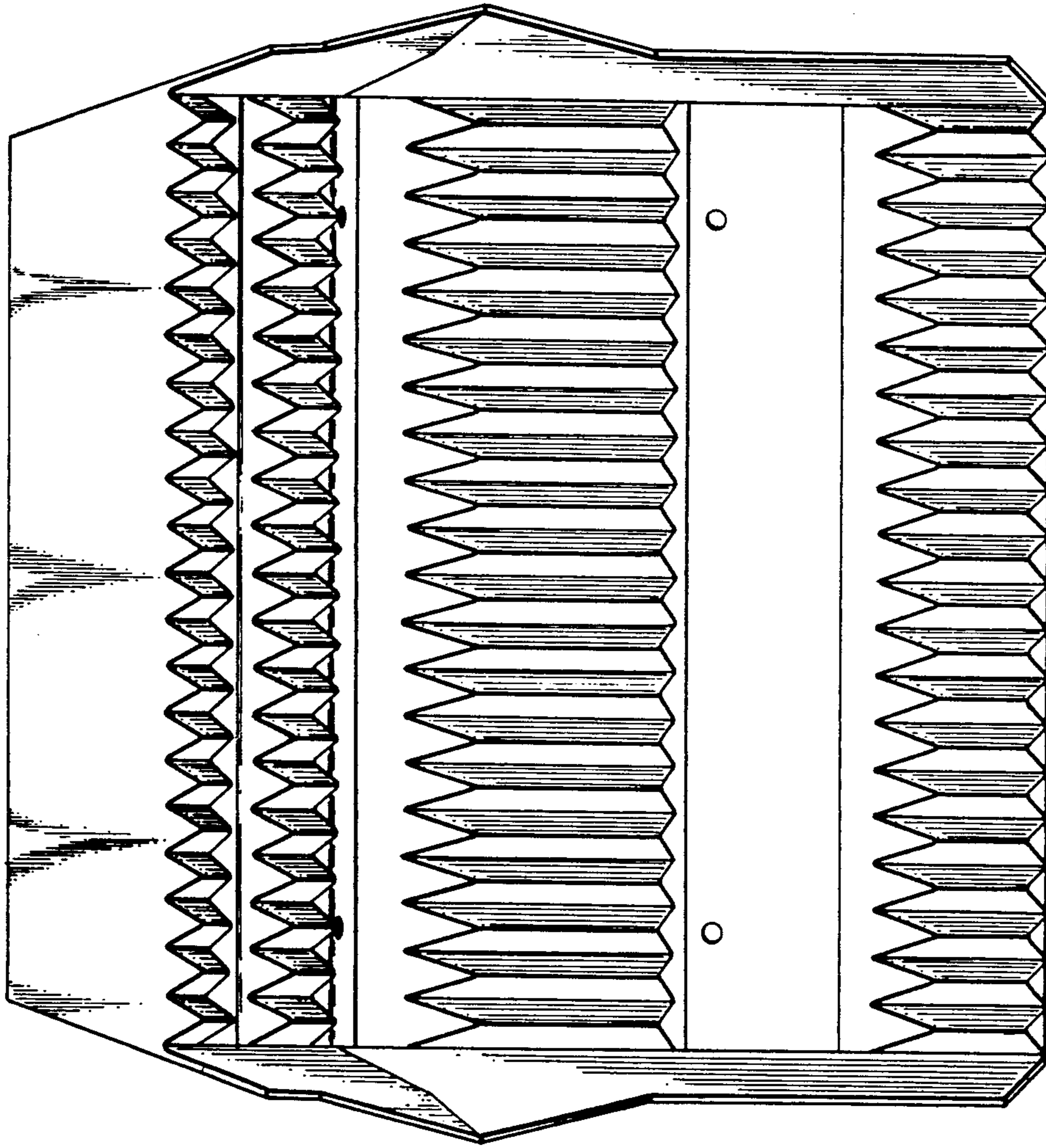


Fig. 4.

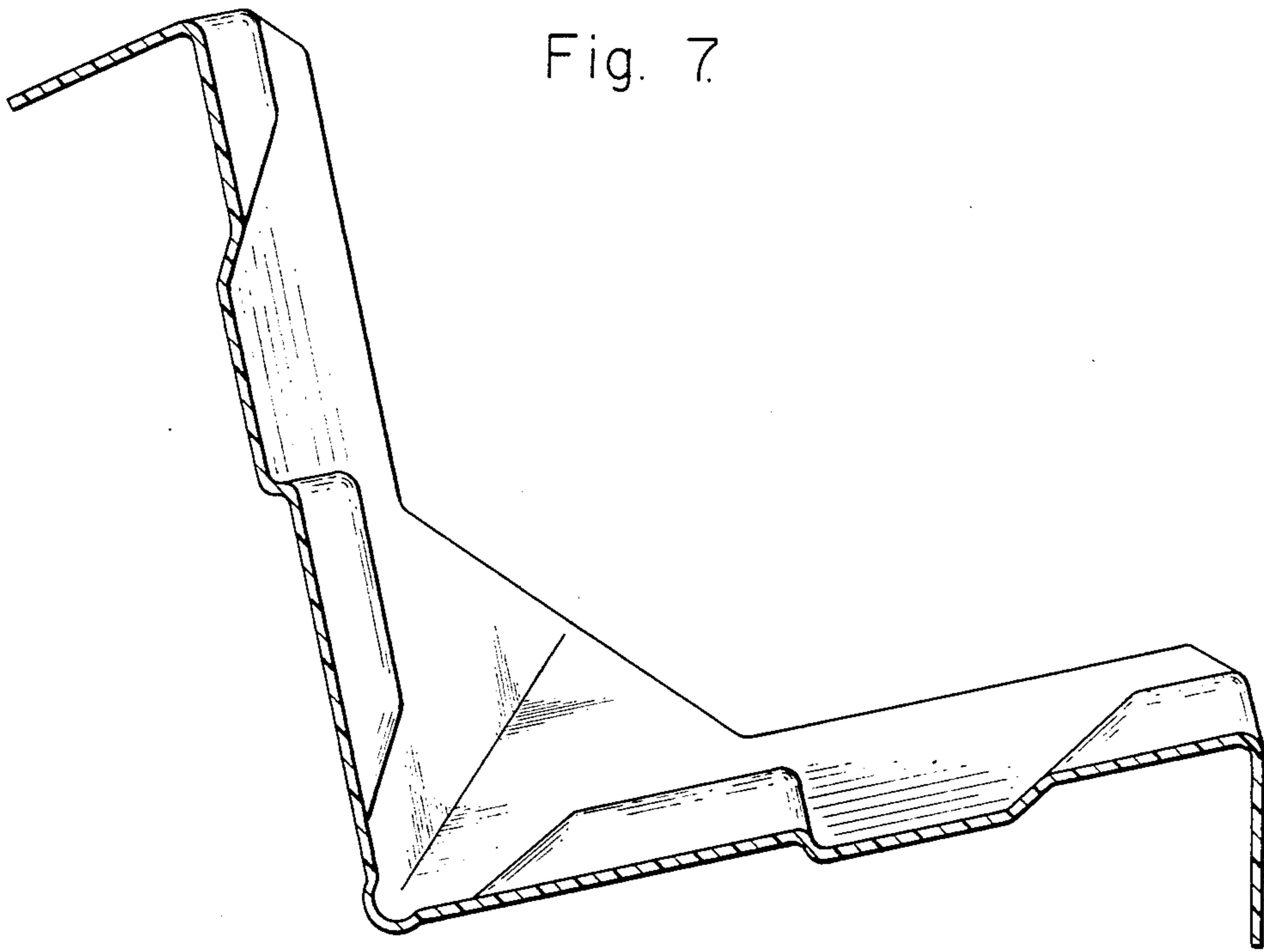
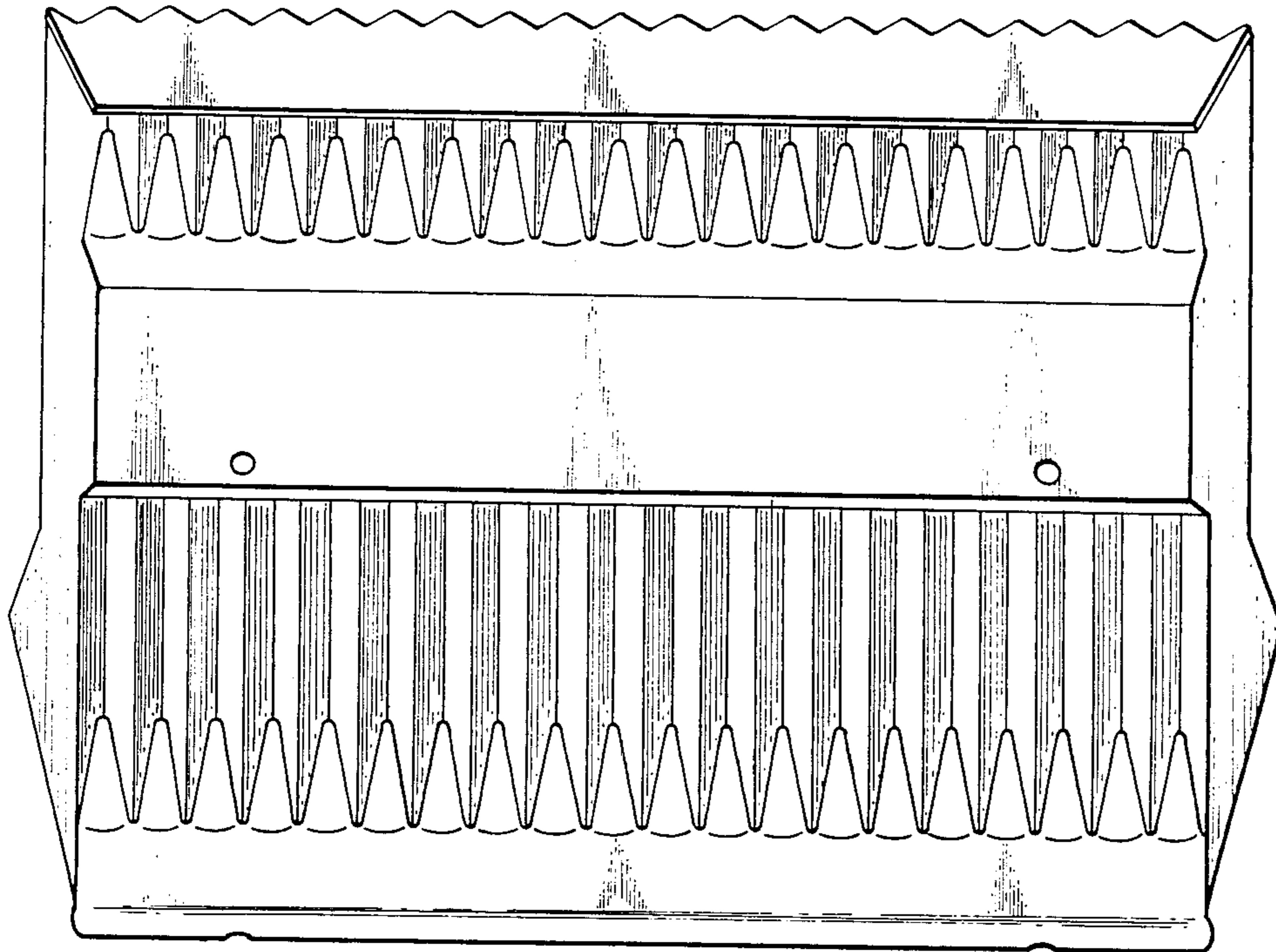


Fig. 7.

Fig. 5.



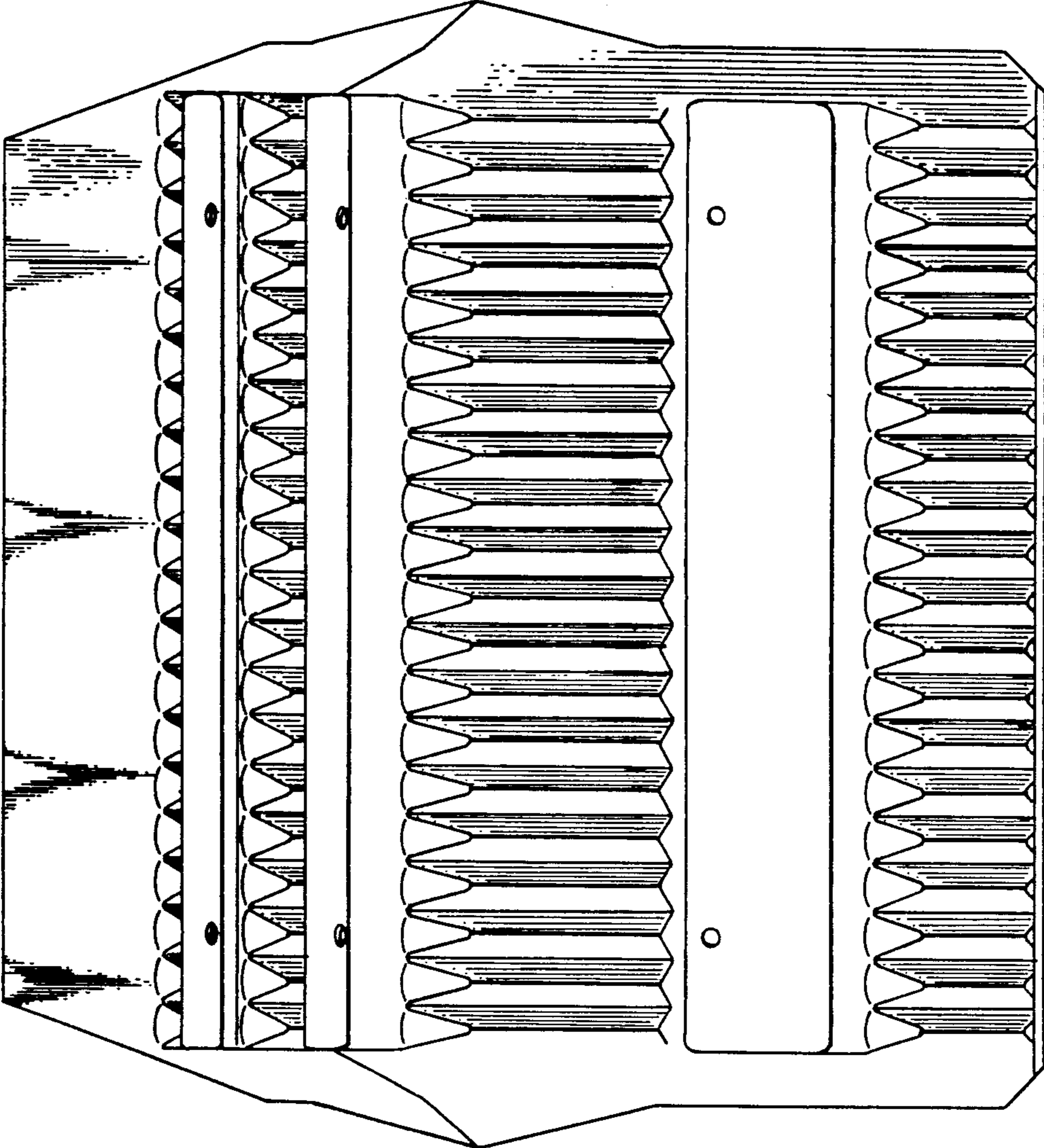


Fig. 6.

Fig. 8.

