

[54] LIGHT REFLECTOR

[75] Inventors: Octavio G. Garcia, Prairie Village, Kans.; Peter A. Lambert, Excelsior Springs, Mo.

[73] Assignee: Devine Lighting, Incorporated, Kansas City, Mo.

[\*\*] Term: 14 Years

[21] Appl. No.: 29,976

[22] Filed: Apr. 16, 1979

[51] Int. Cl. .... D26-05

[52] U.S. Cl. .... D26/131

[58] Field of Search ..... D26/24, 72, 75, 76, D26/77, 78, 80, 83, 84, 85, 87, 89, 91, 92, 88, 118, 128, 130, 131, 133, 134, 135, 136, 137, 108; 362/404, 405, 311, 317, 329, 341-347, 349, 350, 296, 297, 298, 240, 242, 244, 245, 246, 249, 263, 264, 269

[56] References Cited

U.S. PATENT DOCUMENTS

D. 70,372	6/1926	Lang .....	D26/131
D. 116,353	8/1939	Angeletti .....	D26/108
3,900,727	8/1975	Hutz .....	362/263

FOREIGN PATENT DOCUMENTS

530103	7/1931	Fed. Rep. of Germany .....	362/350
563086	9/1923	France .....	362/351
388564	3/1933	United Kingdom .....	362/329

Primary Examiner—Susan J. Lucas

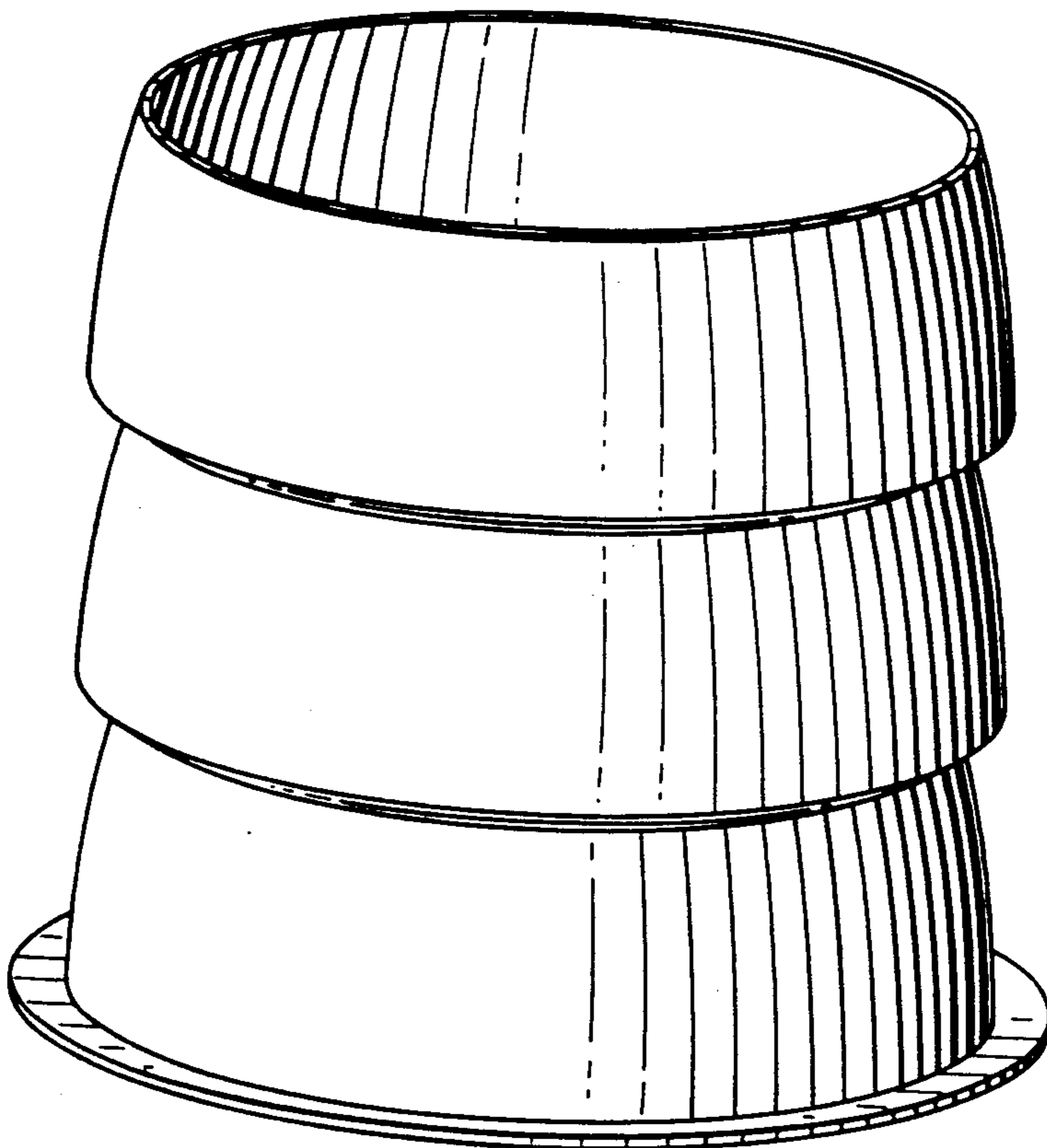
Attorney, Agent, or Firm—Schmidt, Johnson, Hovey & Williams

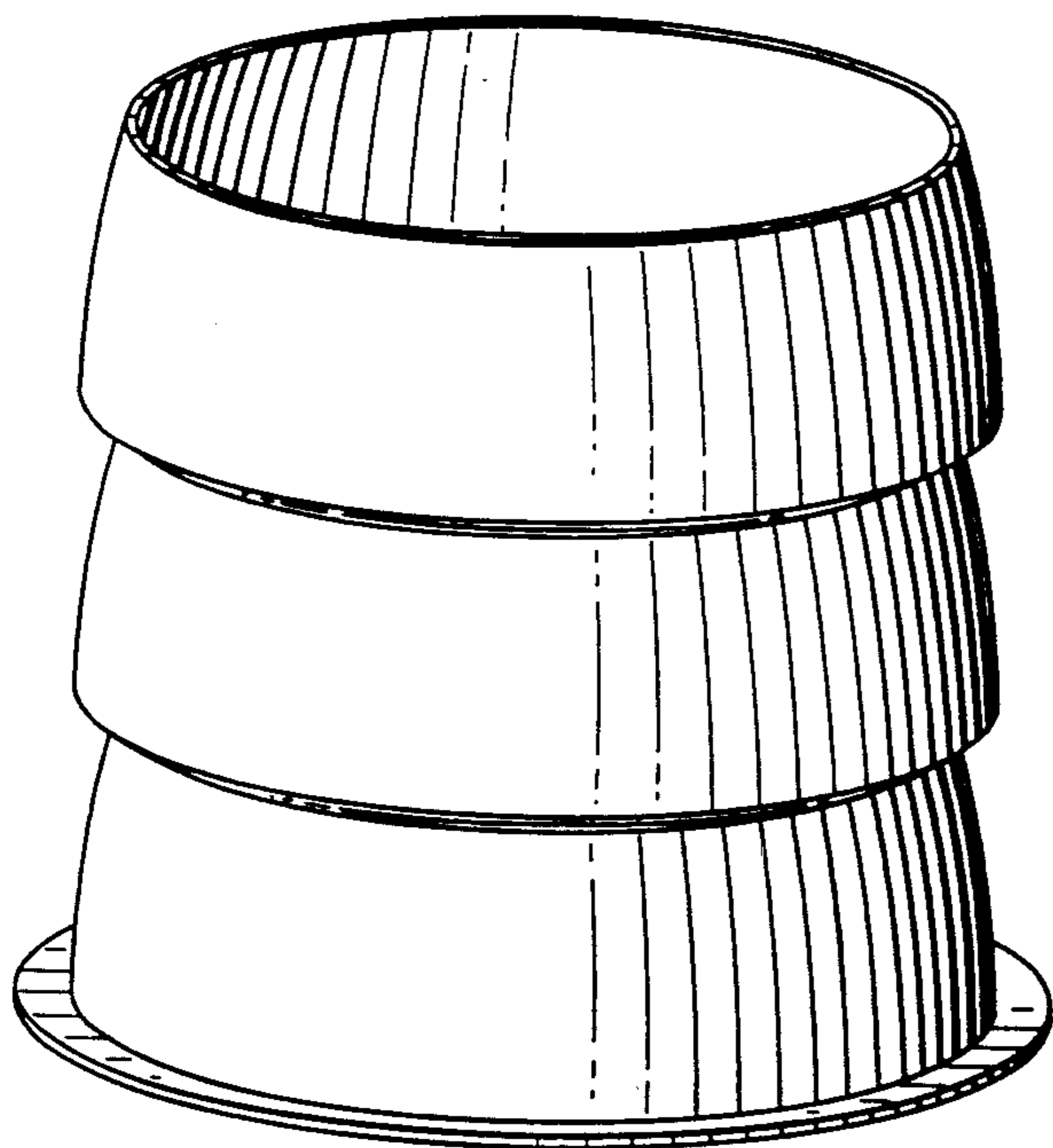
[57] CLAIM

The ornamental design for a light reflector, as shown.

DESCRIPTION

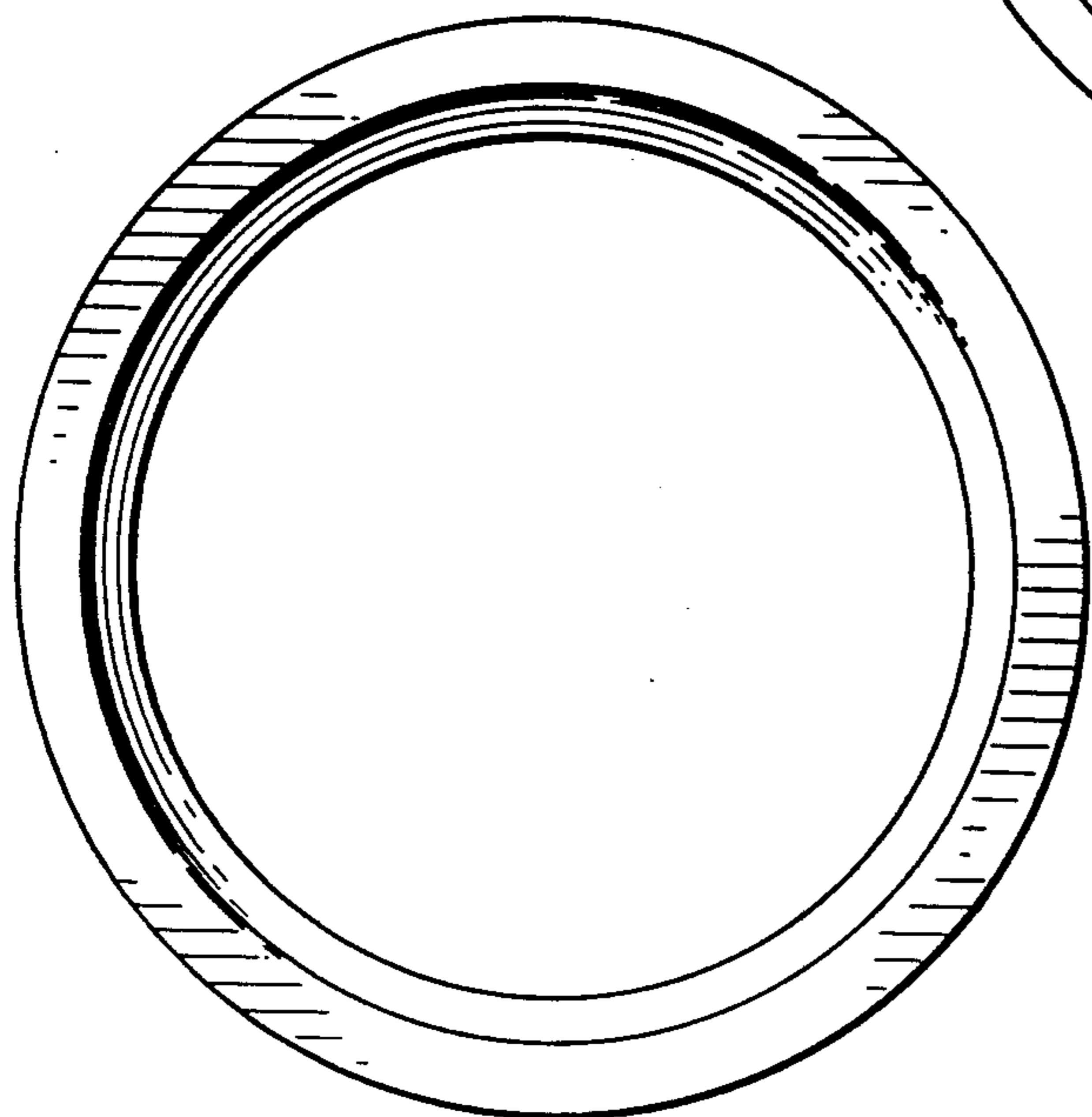
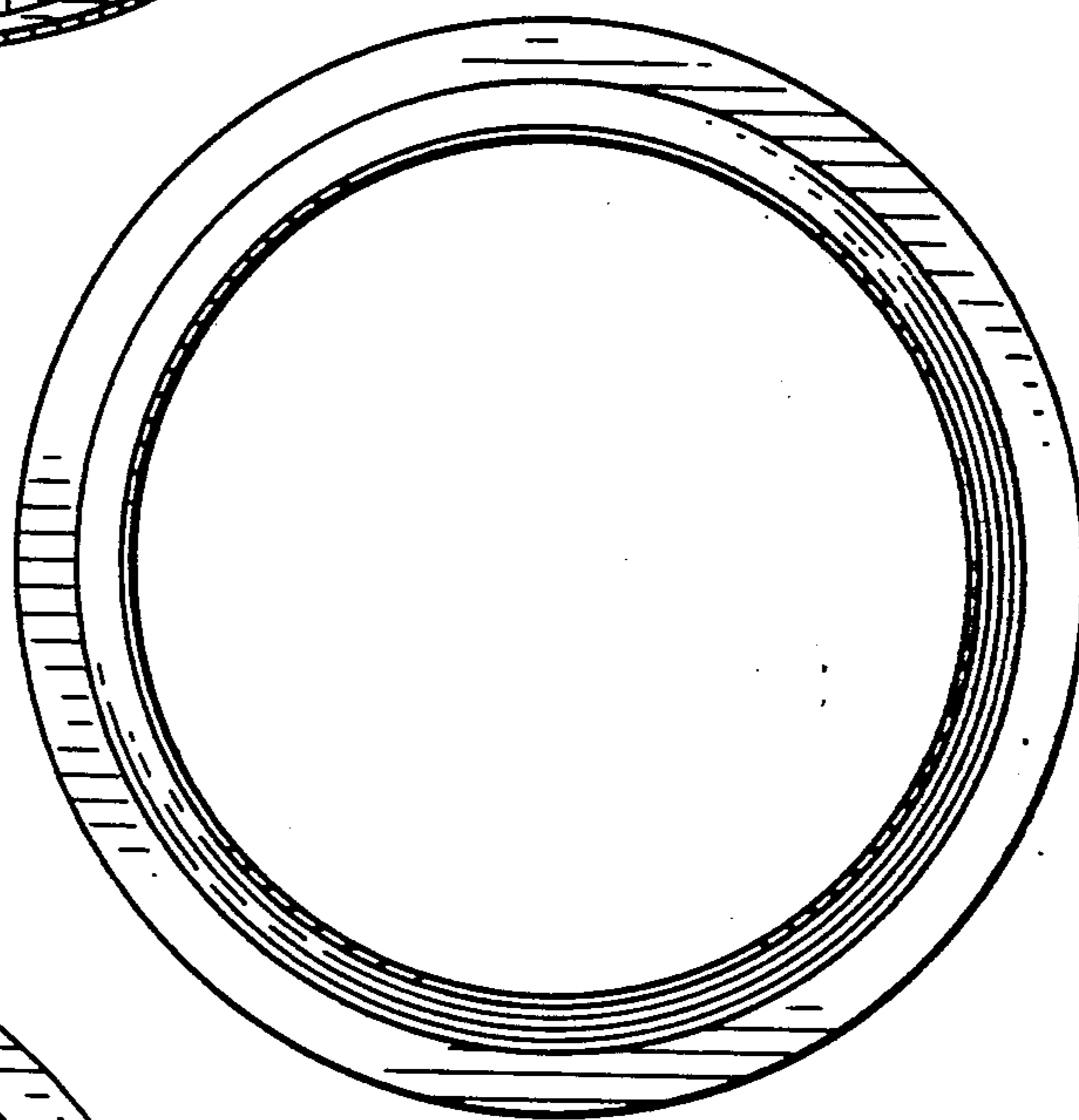
FIG. 1 is a front elevational view showing the light reflector of our new design; FIG. 2 is a top plan view; and FIG. 3 is a bottom plan view of the light reflector.





*Fig. 1.*

*Fig. 2.*



*Fig. 3.*