

[54] TUBOCHARGER BY-PASS VALVE

[75] Inventors: **Hugh MacInnes**, La Canada; **Robert A. Keller**, Westlake Village, both of Calif.

[73] Assignee: **Roto-Master, Inc.**, North Hollywood, Calif.

[\*\*] Term: **14 Years**

[21] Appl. No.: **943,350**

[22] Filed: **Sep. 15, 1978**

[51] Int. Cl. .... **D23-01**

[52] U.S. Cl. .... **D23/19**

[58] Field of Search ..... **D23/19-22, D23/40-47; 137/454.5; 251/61.4**

[56]

References Cited

U.S. PATENT DOCUMENTS

D. 251,677	4/1979	Johnson .....	D23/19
2,564,569	8/1951	Goehring .....	251/61.4
2,615,468	10/1952	Woolley .....	251/61.4
3,550,625	12/1970	Adams, Jr. ....	137/454.5 X
3,593,958	7/1971	Mueller .....	251/61.4
4,098,487	7/1978	Bauer .....	251/61.4

Primary Examiner—James R. Largen

Attorney, Agent, or Firm—Cislo & O'Reilly

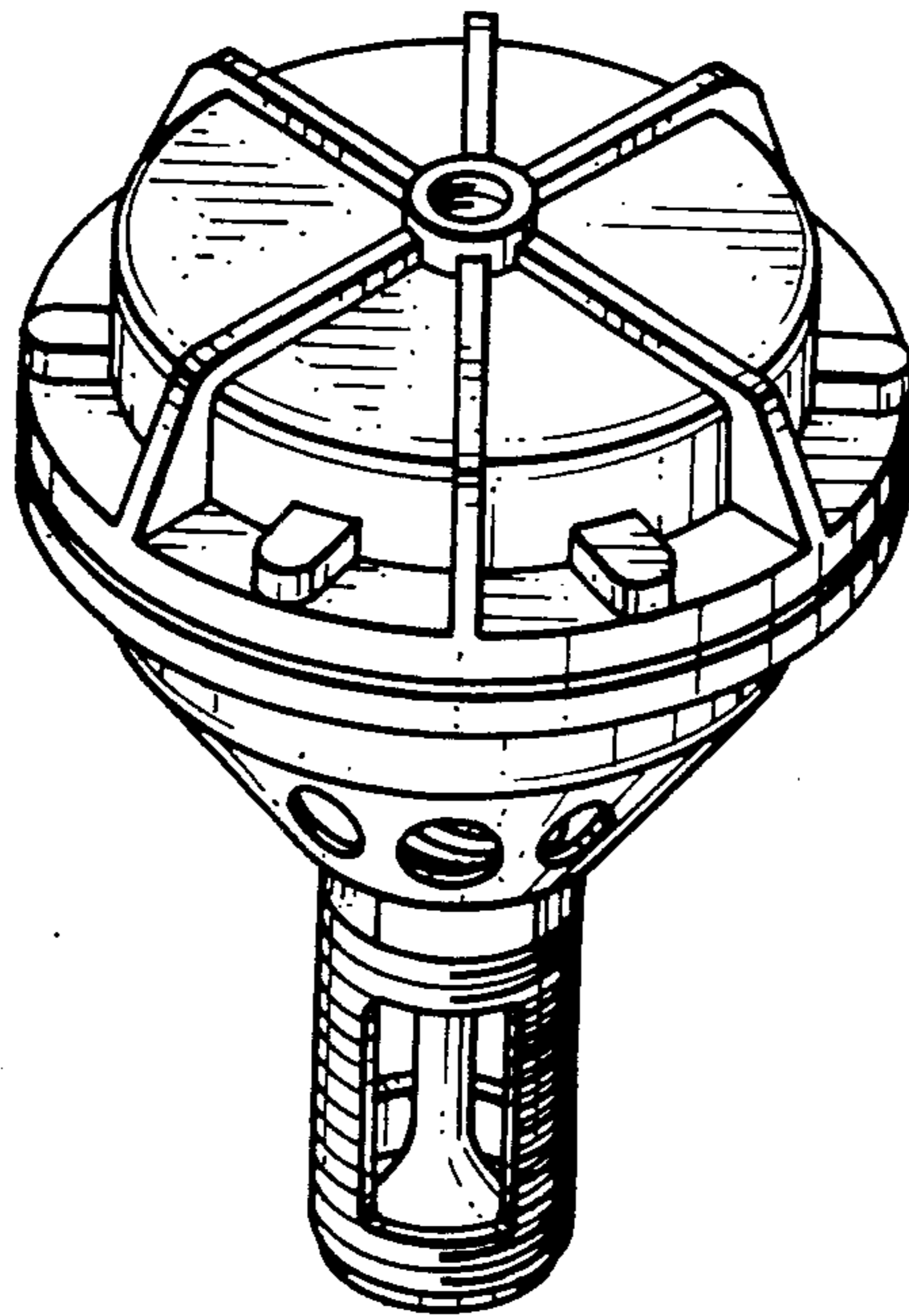
[57]

CLAIM

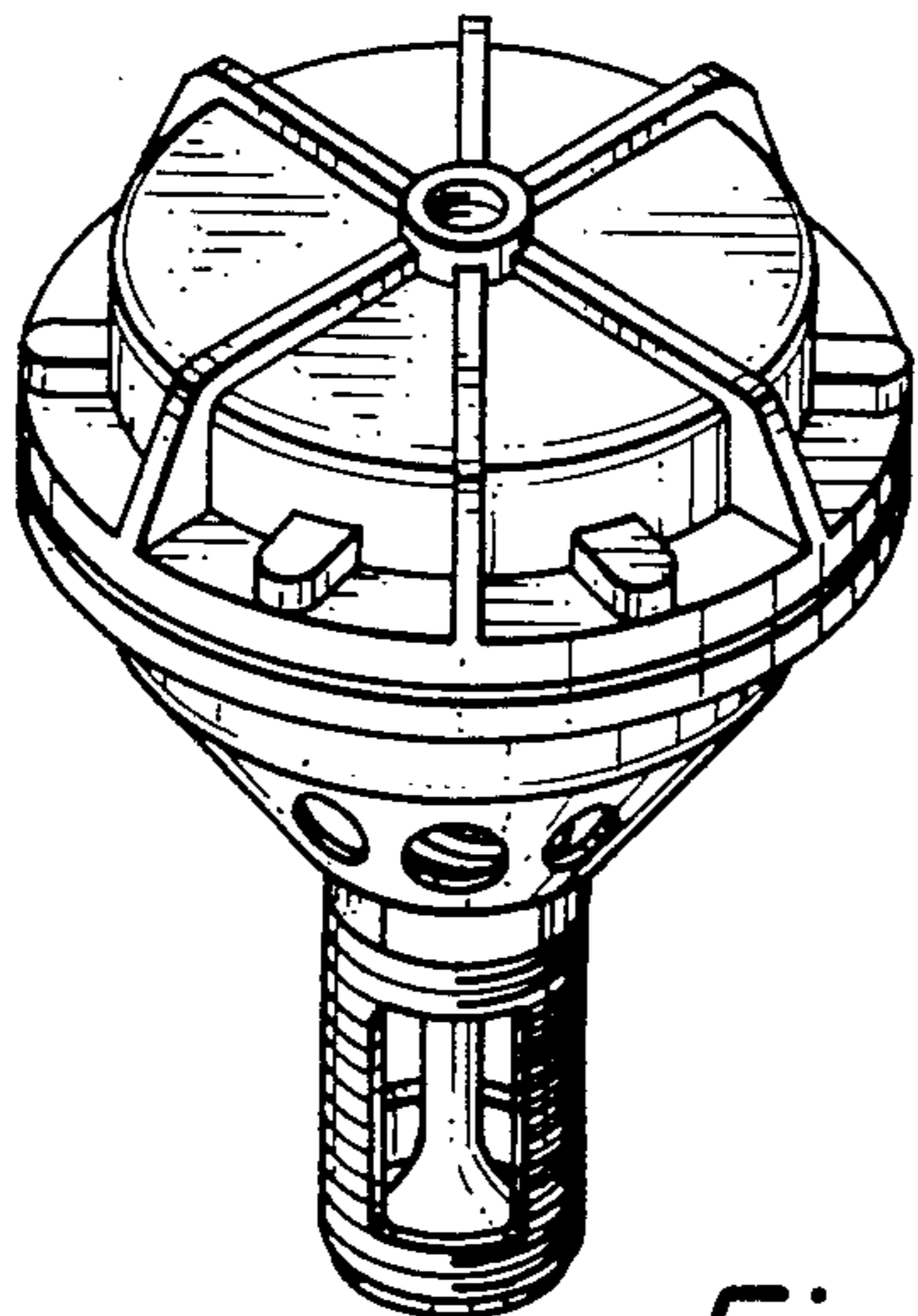
The ornamental design for a turbocharger by-pass valve, as shown and described.

DESCRIPTION

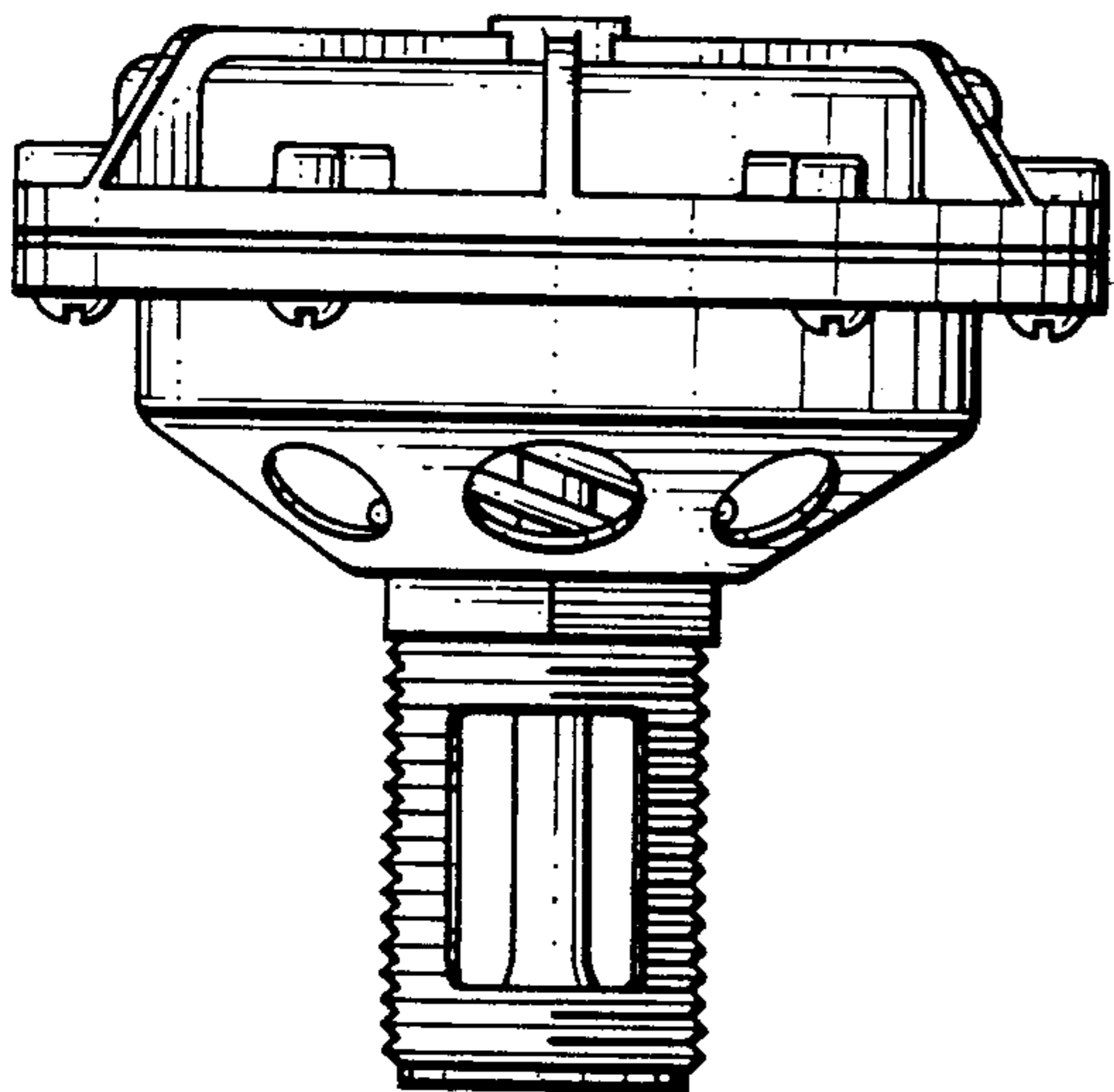
FIG. 1 is a perspective view of a turbocharger by-pass valve showing our new design; FIG. 2 is a front elevational view thereof; FIG. 3 is a side elevational view thereof; FIG. 4 is a top plan view thereof; and FIG. 5 is a bottom plan view thereof.



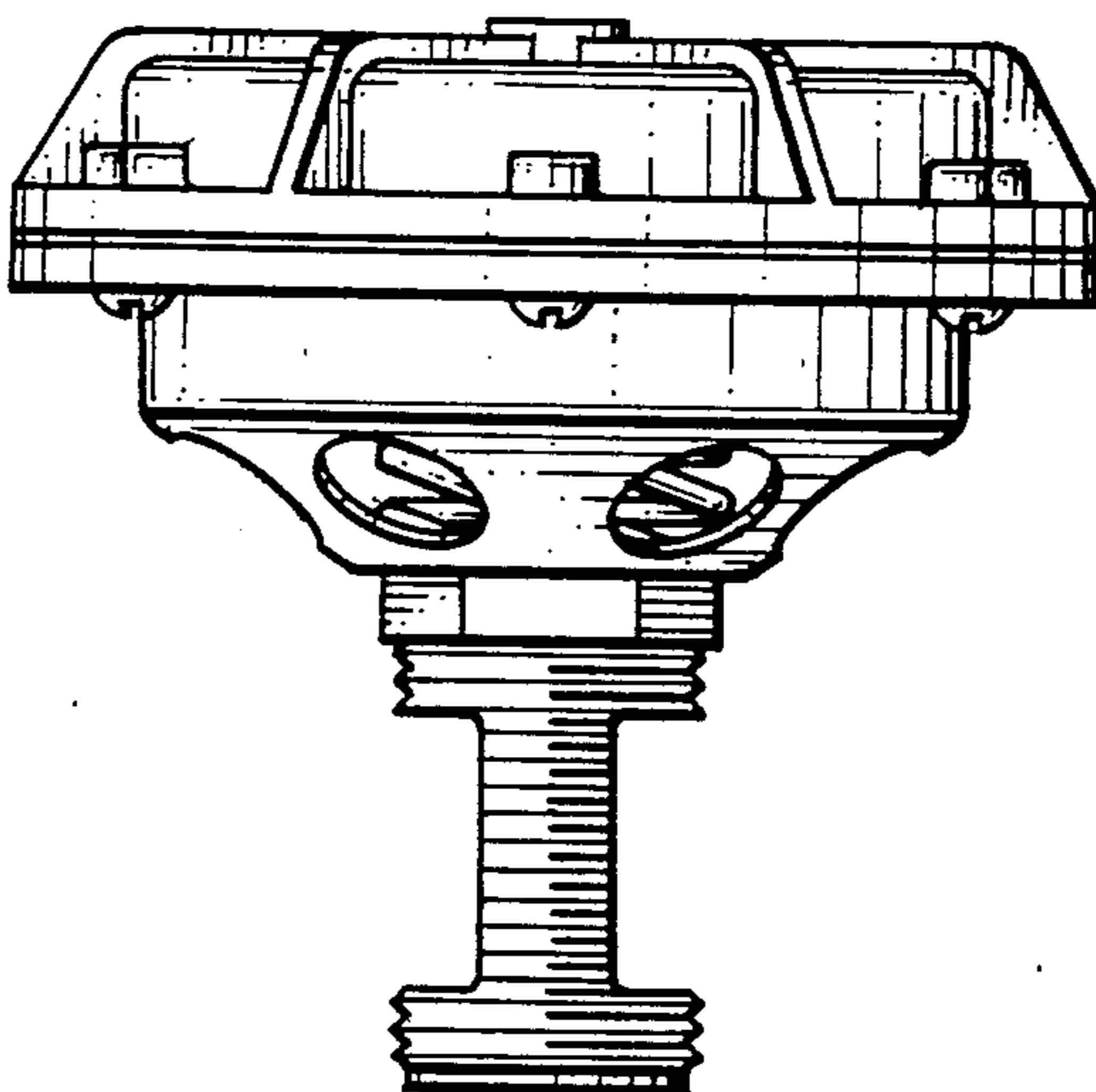
*Fig. 1.*



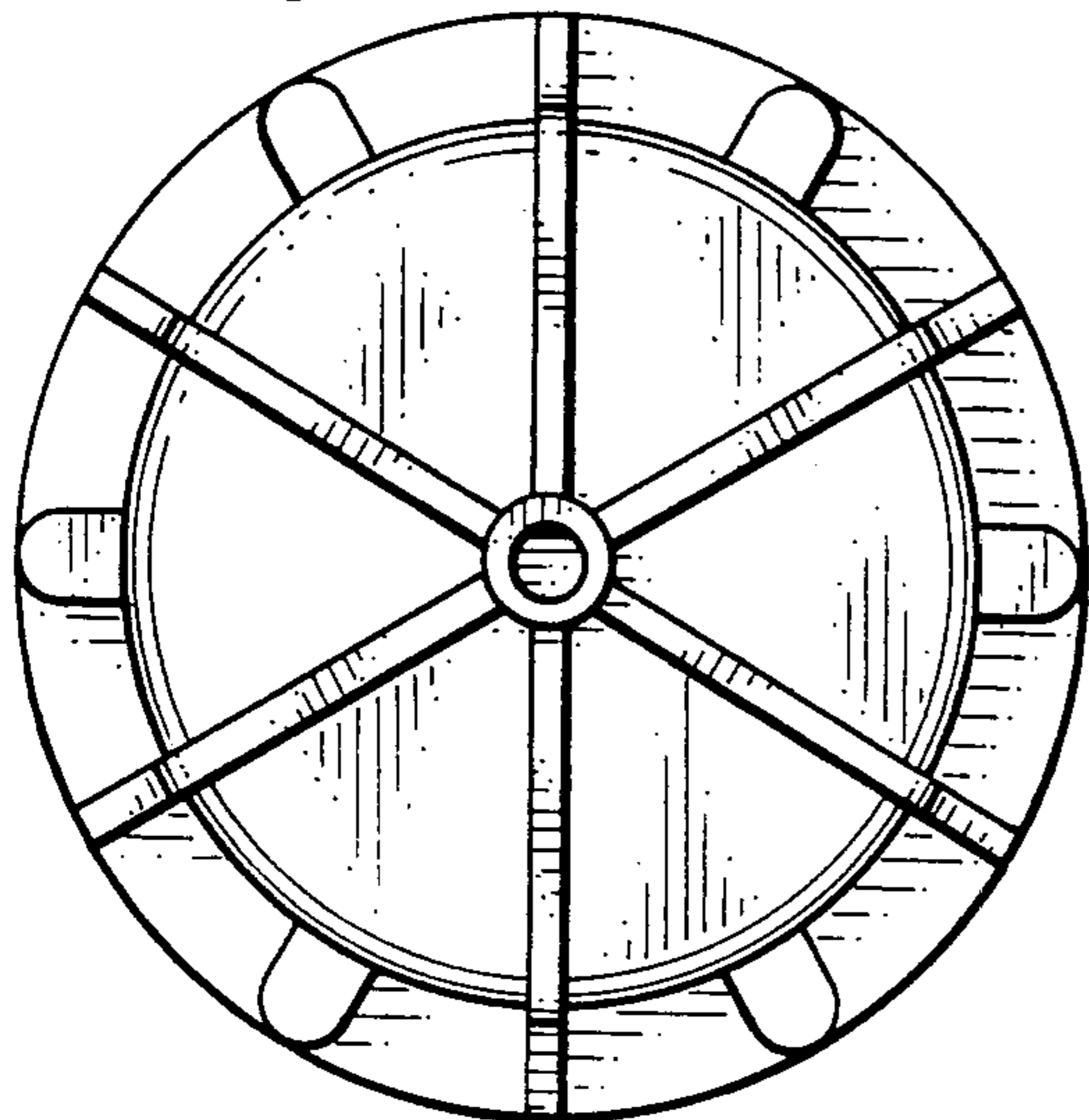
*Fig. 2.*



*Fig. 3.*



*Fig. 4.*



*Fig. 5.*

