

- [54] **ELECTRIC FISHING REEL**
- [75] **Inventor:** Peck T. Huffman, Greensboro, N.C.
- [73] **Assignee:** Electric Fishing Reel Systems, Inc., Greensboro, N.C.
- [**] **Term:** 14 Years
- [21] **Appl. No.:** 62,496
- [22] **Filed:** Jul. 31, 1979
- [51] **Int. Cl.** D22-05
- [52] **U.S. Cl.** D22/25
- [58] **Field of Search** D22/25; 242/84.1 A, 242/84.1

3,126,166 3/1964 Weinberg 242/84.1 A
 3,979,081 9/1976 Miyamae 242/84.1 A

Primary Examiner—A. Hugo Word

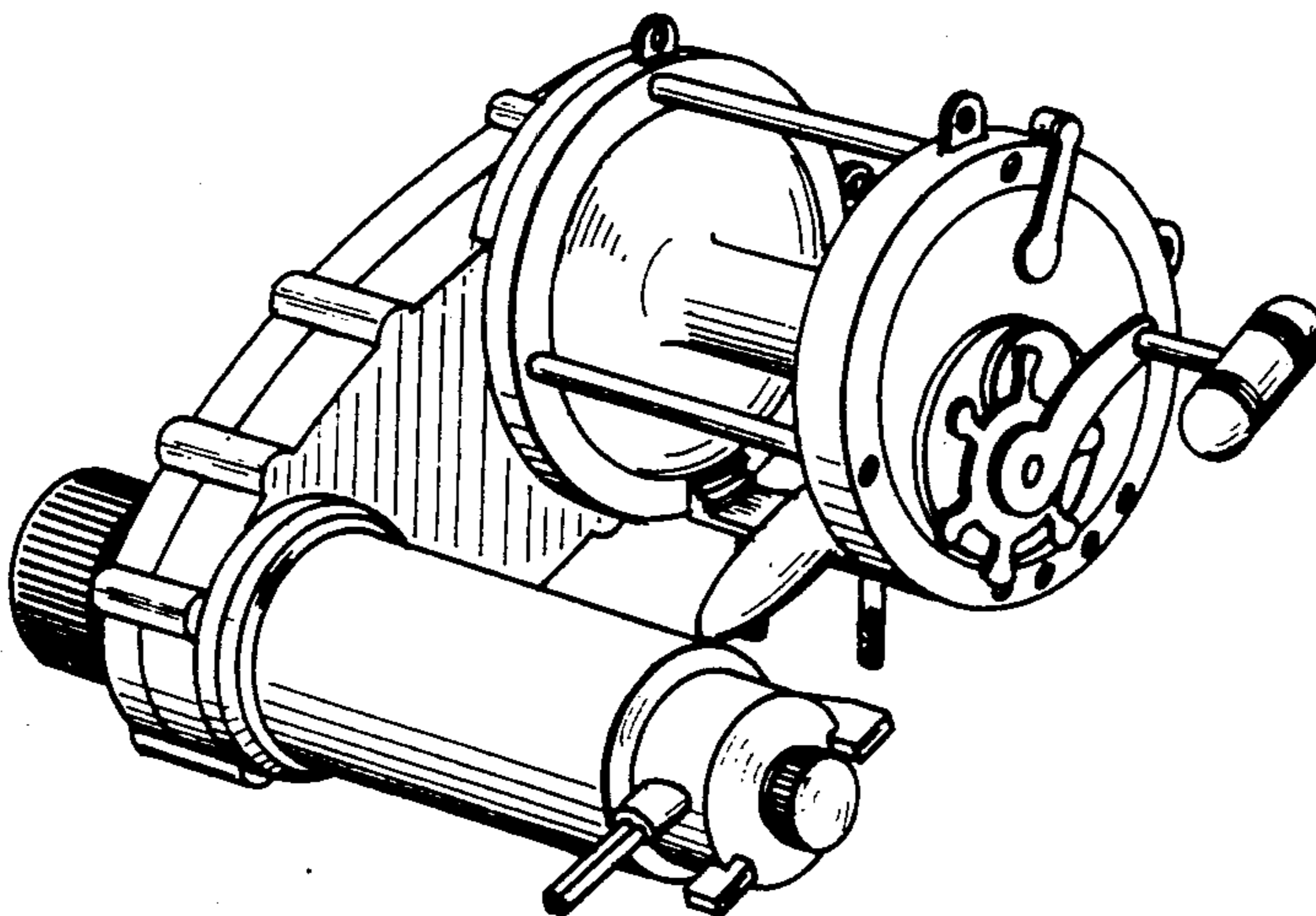
[57] CLAIM

The ornamental design for an electric fishing reel, as shown.

DESCRIPTION

FIG. 1 is a side perspective view of the electric fishing reel embodying my invention;
 FIG. 2 is a side perspective view from the opposite side of FIG. 1;
 FIG. 3 is a right side view of FIG. 1;
 FIG. 4 is a top plan view of FIG. 2;
 FIG. 5 is a front elevational view of FIG. 2;
 FIG. 6 is a front elevational view of FIG. 1;
 FIG. 7 is a bottom view of FIG. 4 rotated 180 degrees in the horizontal plane; and
 FIG. 8 is a right side view of FIG. 5.

- [56] **References Cited**
- U.S. PATENT DOCUMENTS**
- | | | | | |
|------------|--------|------------|-------|------------|
| D. 226,377 | 2/1973 | Huffman | | D22/25 |
| D. 254,682 | 4/1980 | Whisenhunt | | D22/25 |
| 2,743,067 | 4/1956 | Stratton | | 242/84.1 A |



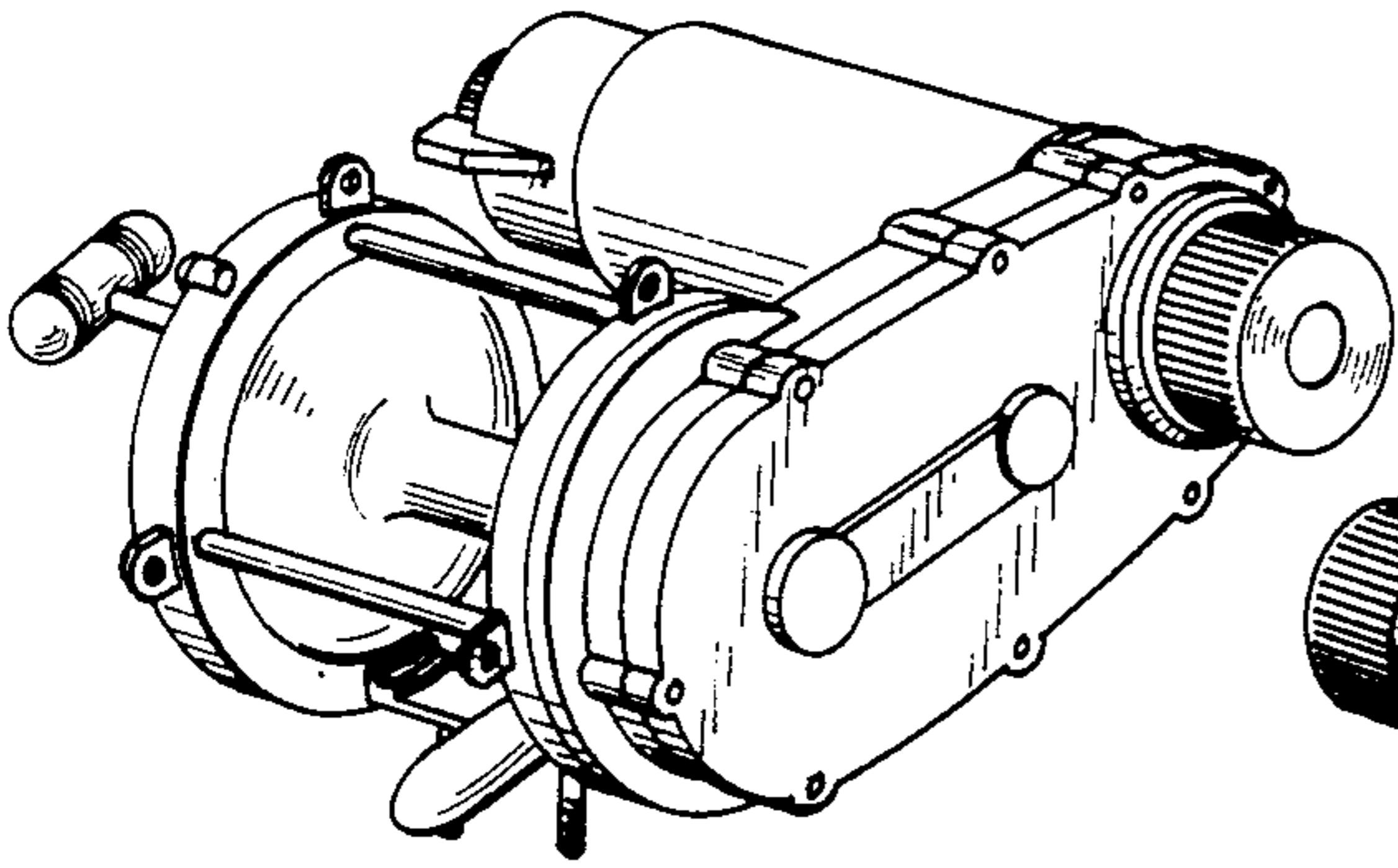


FIG. 1

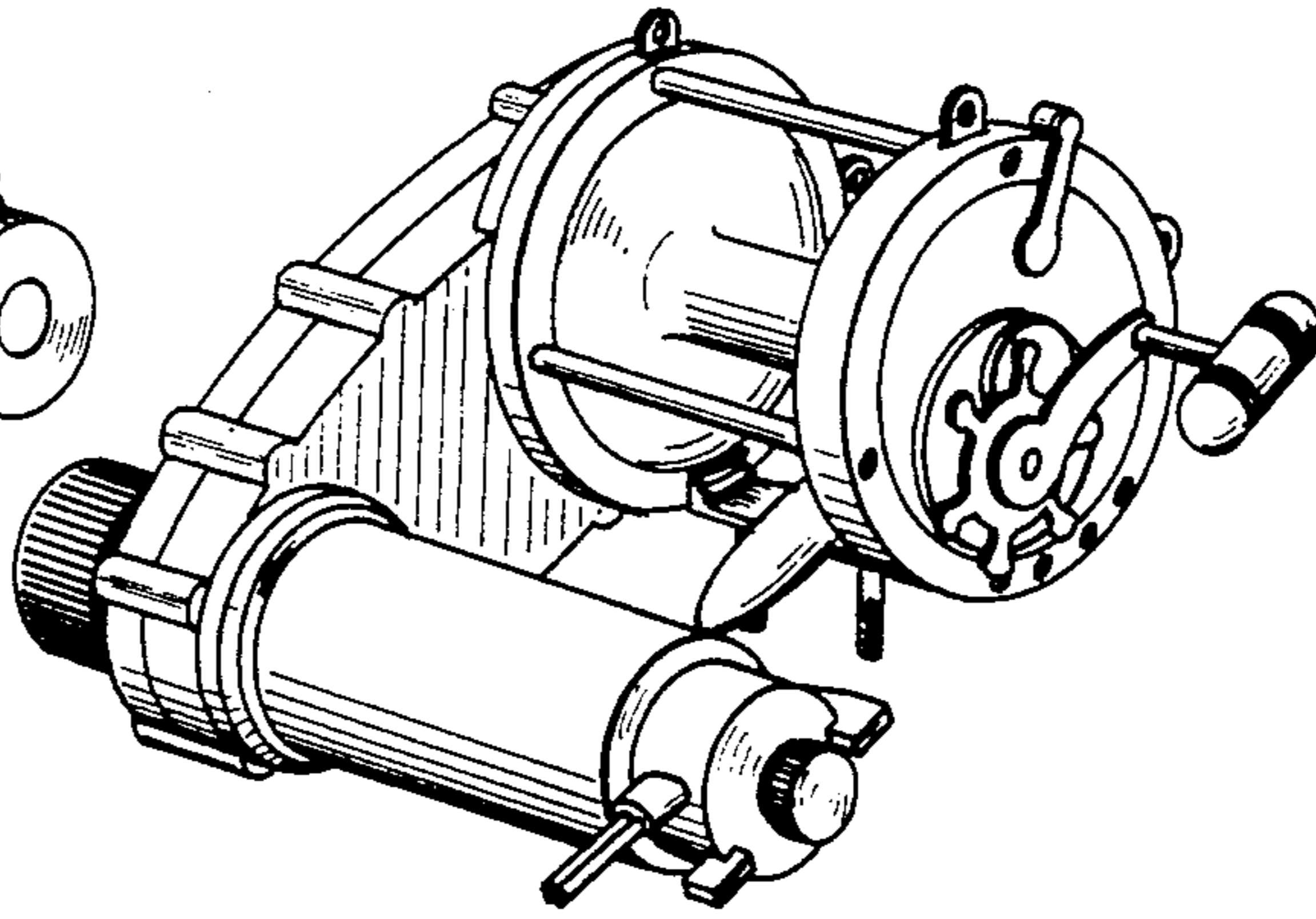


FIG. 2

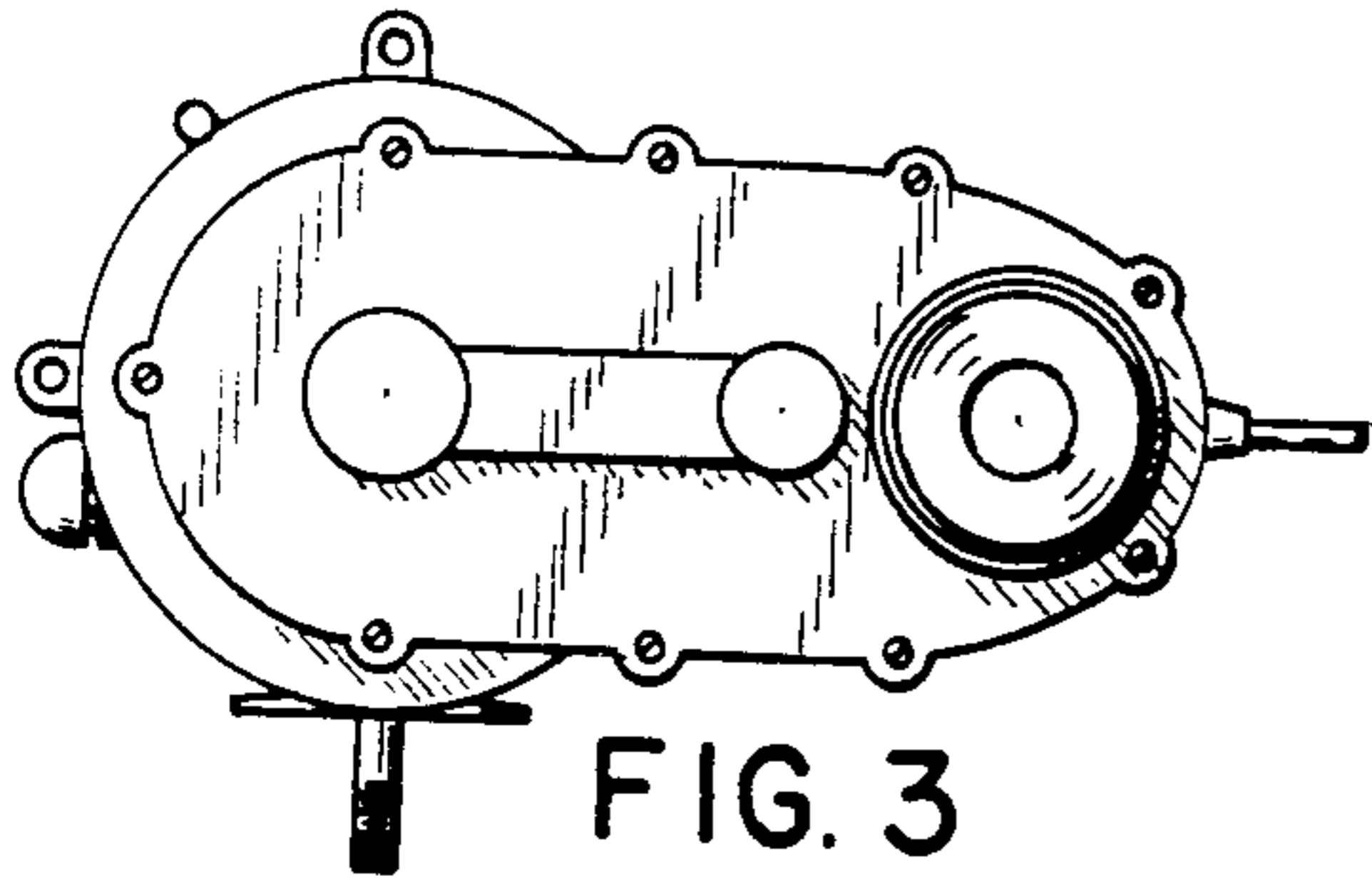


FIG. 3

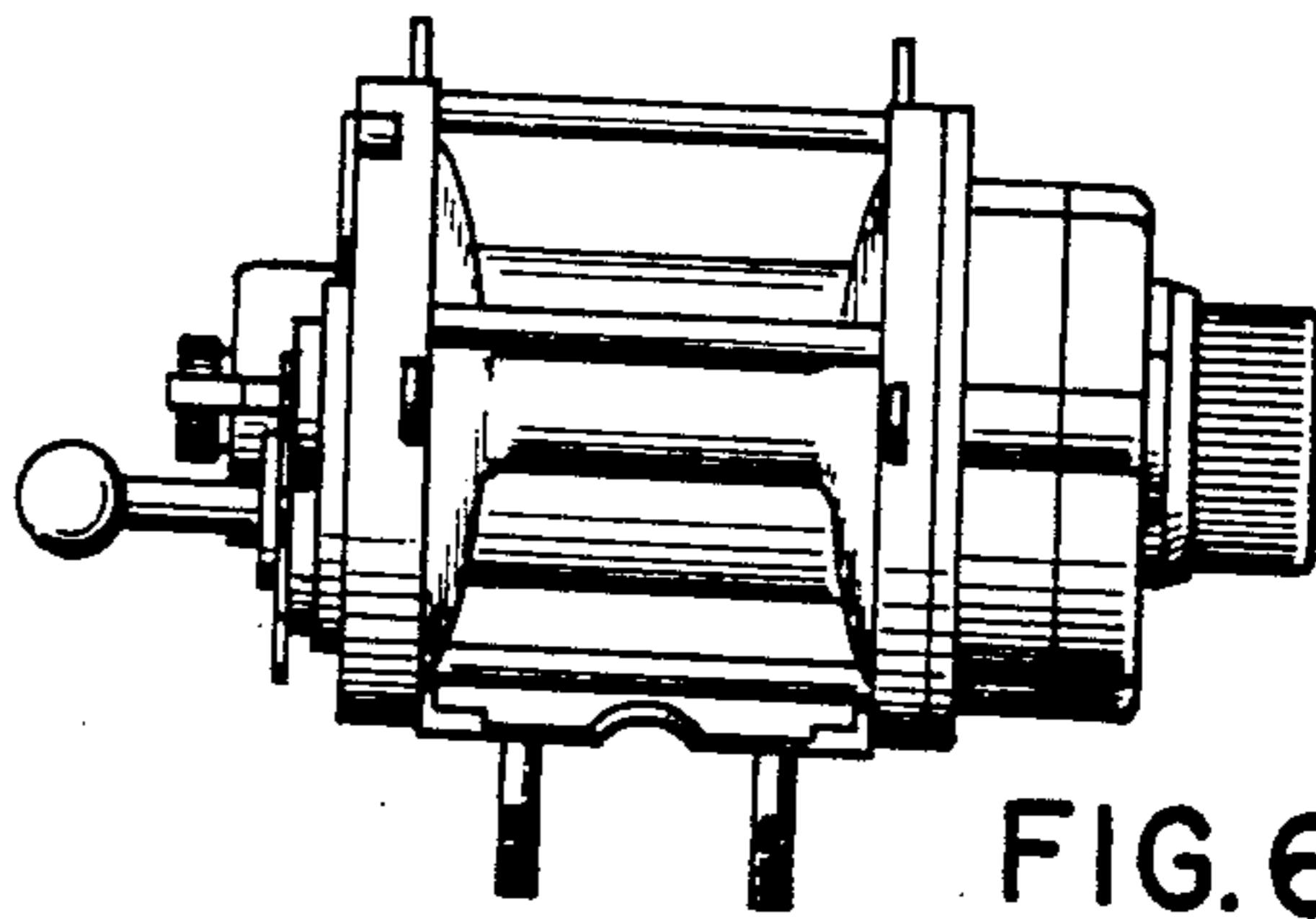


FIG. 6

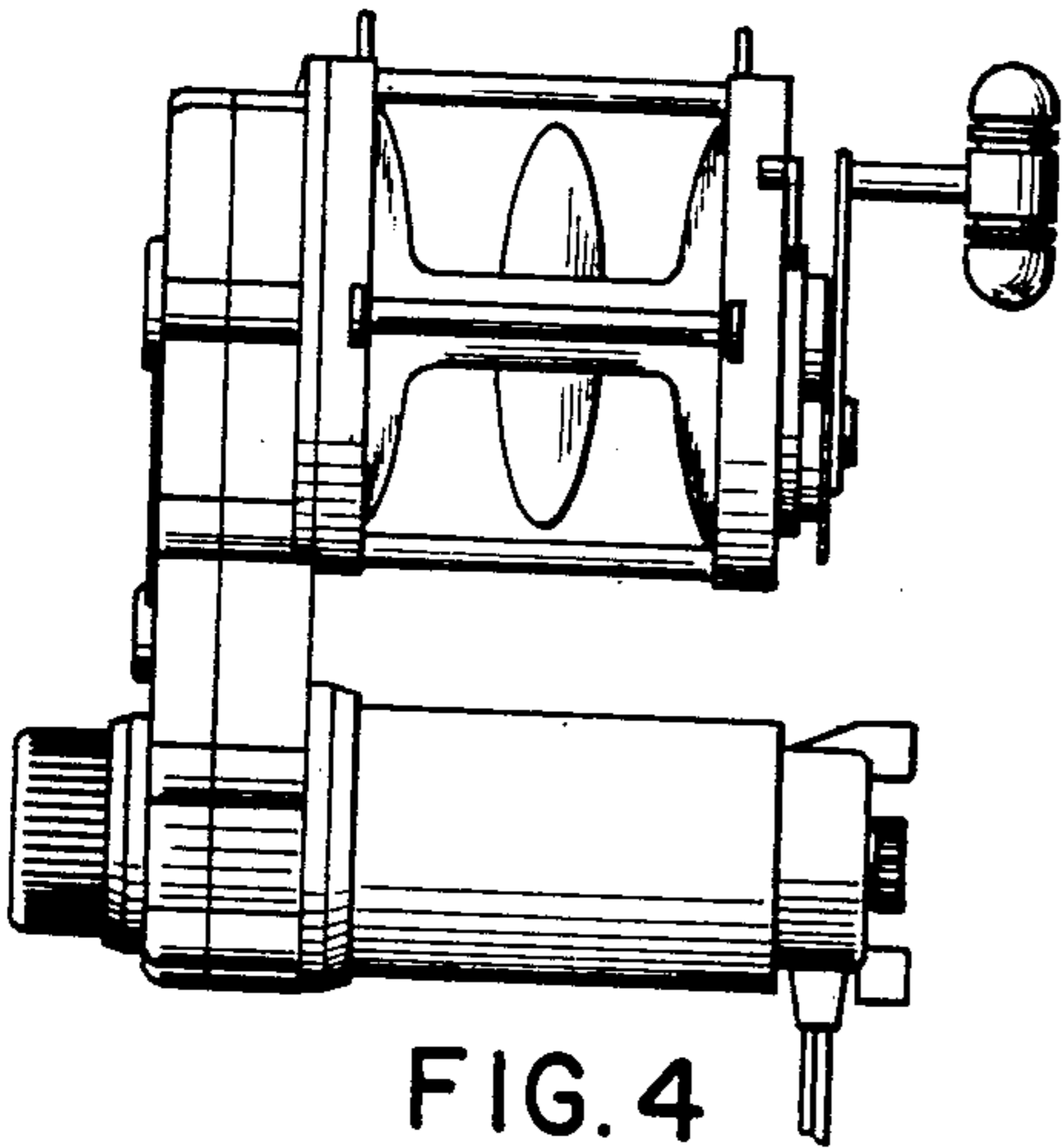


FIG. 4

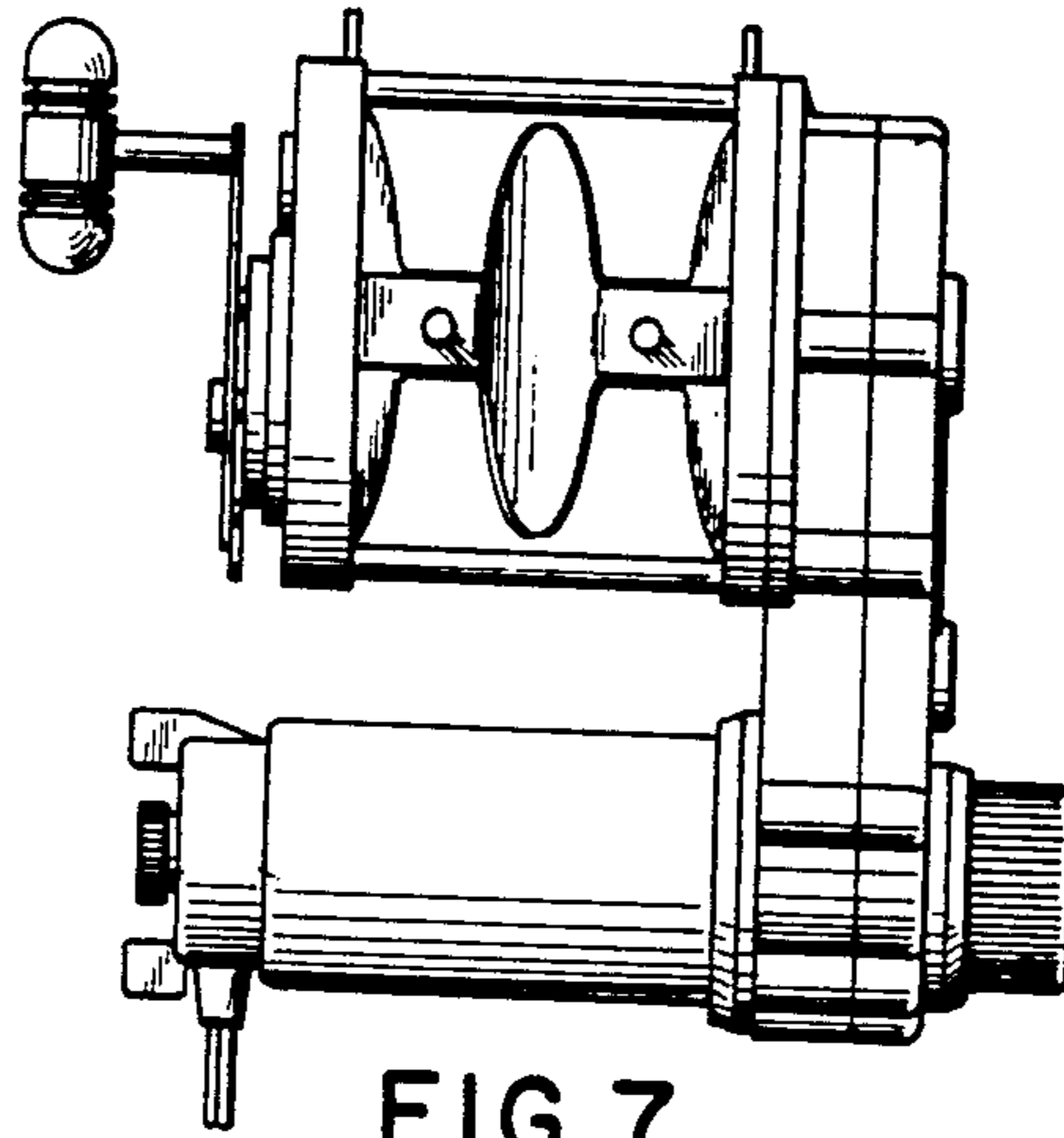


FIG. 7

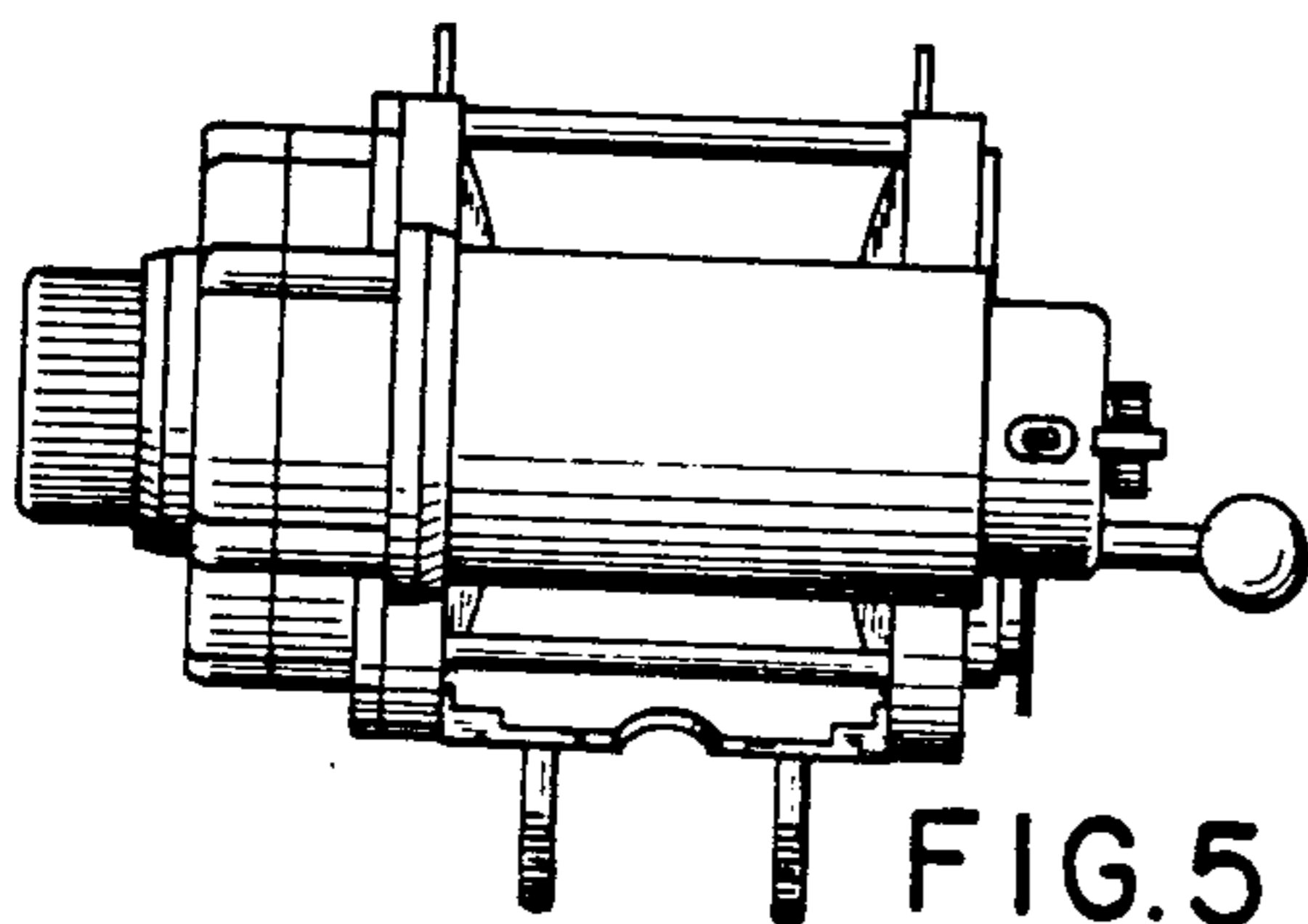


FIG. 5

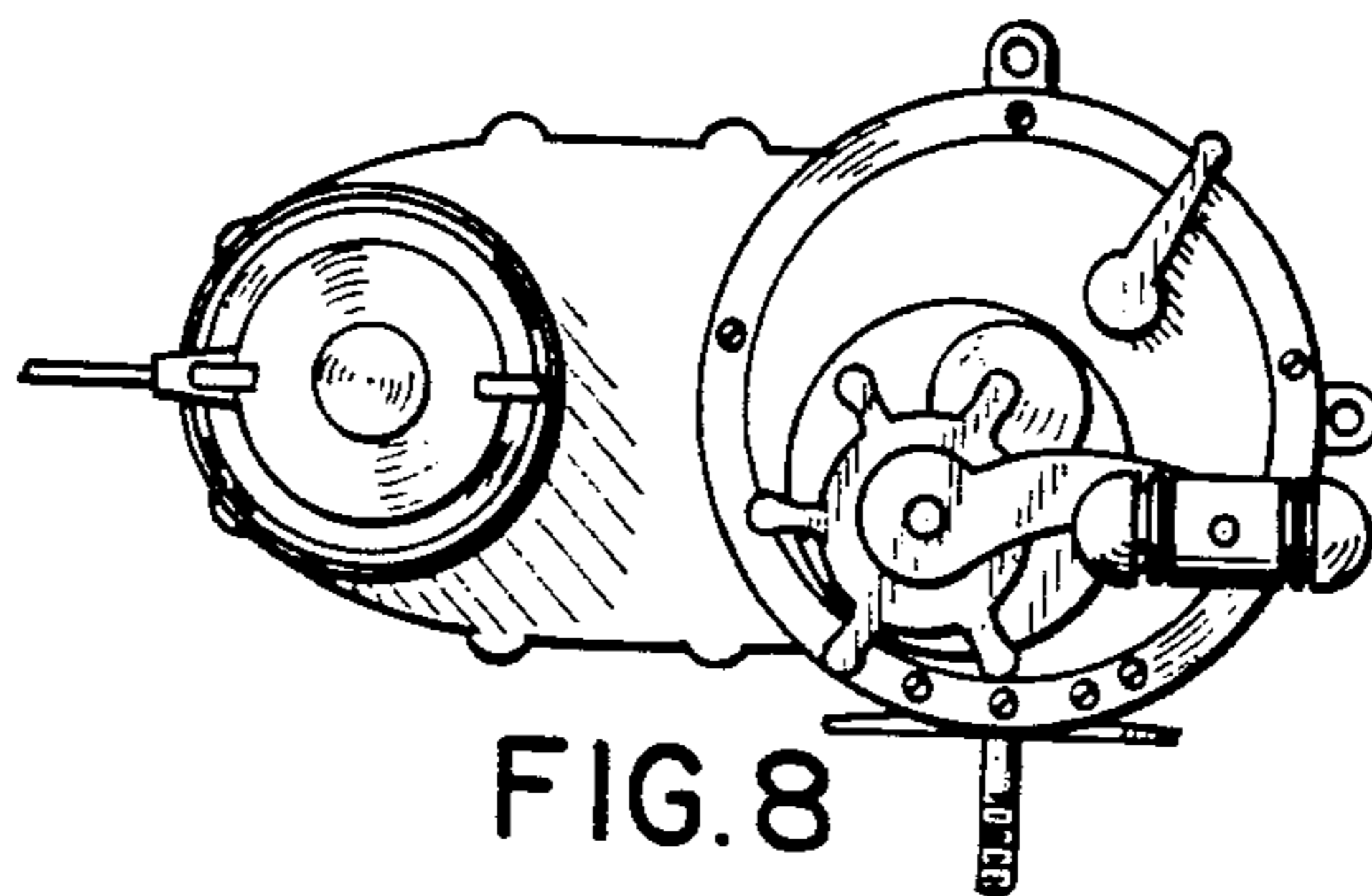


FIG. 8