

[54] LABELER

[75] Inventor: Tokio Wada, Nagarayamashi, Japan

[73] Assignee: Kabushiki Kaisha Shinsei Industries, Tokyo, Japan

[\*\*] Term: 14 Years

[21] Appl. No.: 964,437

[22] Filed: Nov. 28, 1978

[51] Int. Cl. .... D18-02

[52] U.S. Cl. .... D18/19

[58] Field of Search ..... D18/14, 19; D21/127; 101/288; 156/384, DIG. 48, DIG. 49

[56] References Cited

U.S. PATENT DOCUMENTS

D. 237,746	11/1975	Sato .....	D18/19
D. 250,292	11/1978	Sato .....	D18/19
4,075,944	2/1978	Conley .....	101/288 X

OTHER PUBLICATIONS

*Hardware Age*, 9/1/1969, p. 49-Dymo Precision Pricer.

Primary Examiner—Louis S. Zarfes  
Attorney, Agent, or Firm—Wenderoth, Lind & Ponack

[57] CLAIM

The ornamental design for a labeler, as shown.

DESCRIPTION

FIG. 1 is a front elevational view of a labeler showing my new design;

FIG. 2 is a rear elevational view thereof;

FIG. 3 is an end elevational view of one end thereof;

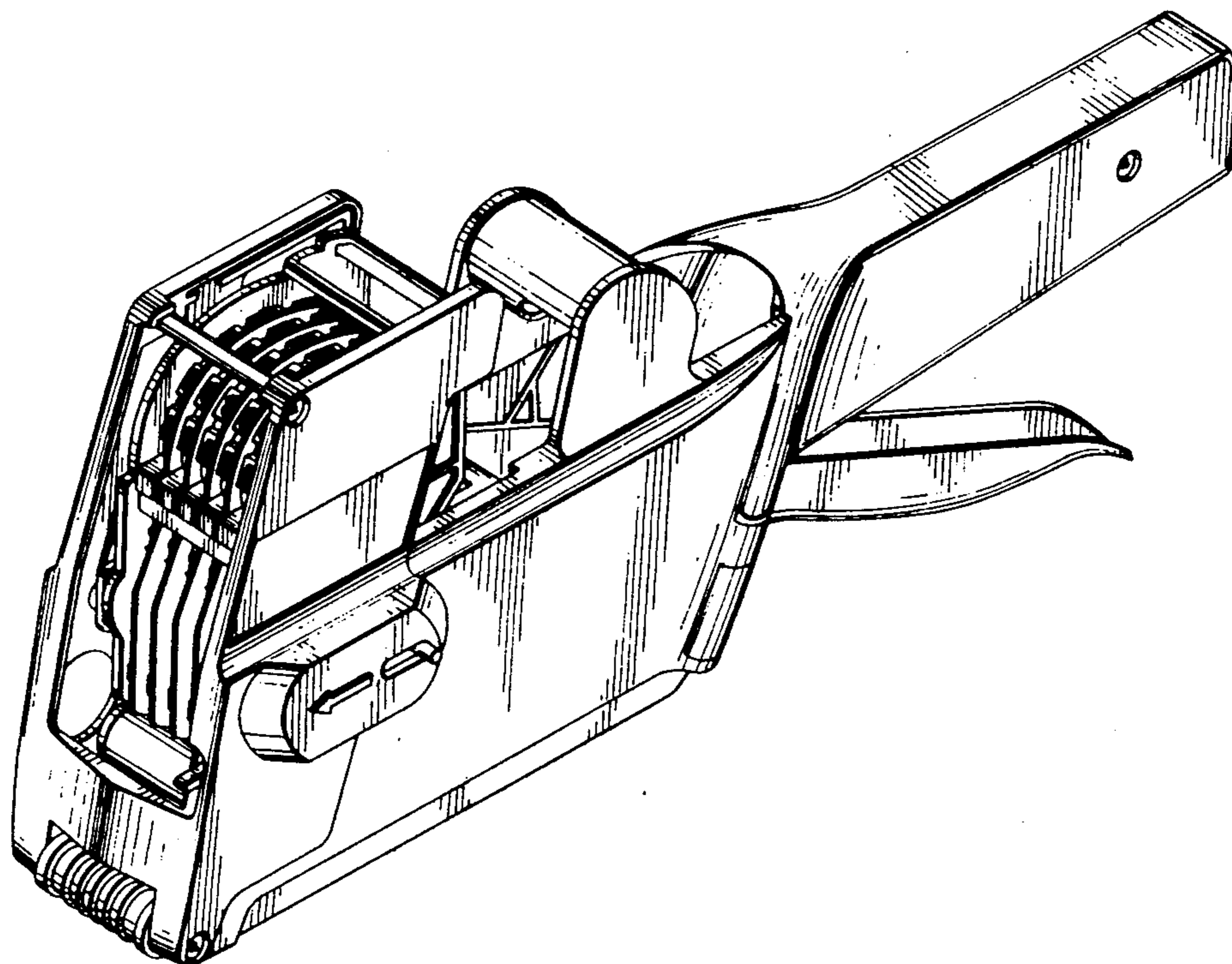
FIG. 4 is an end elevational view of the other end thereof;

FIG. 5 is a bottom plan view thereof;

FIG. 6 is a top plan view thereof;

FIG. 7 is a perspective view thereof taken from above and to the left in FIG. 1; and

FIG. 8 is a perspective view thereof taken from below and to the left in FIG. 2.



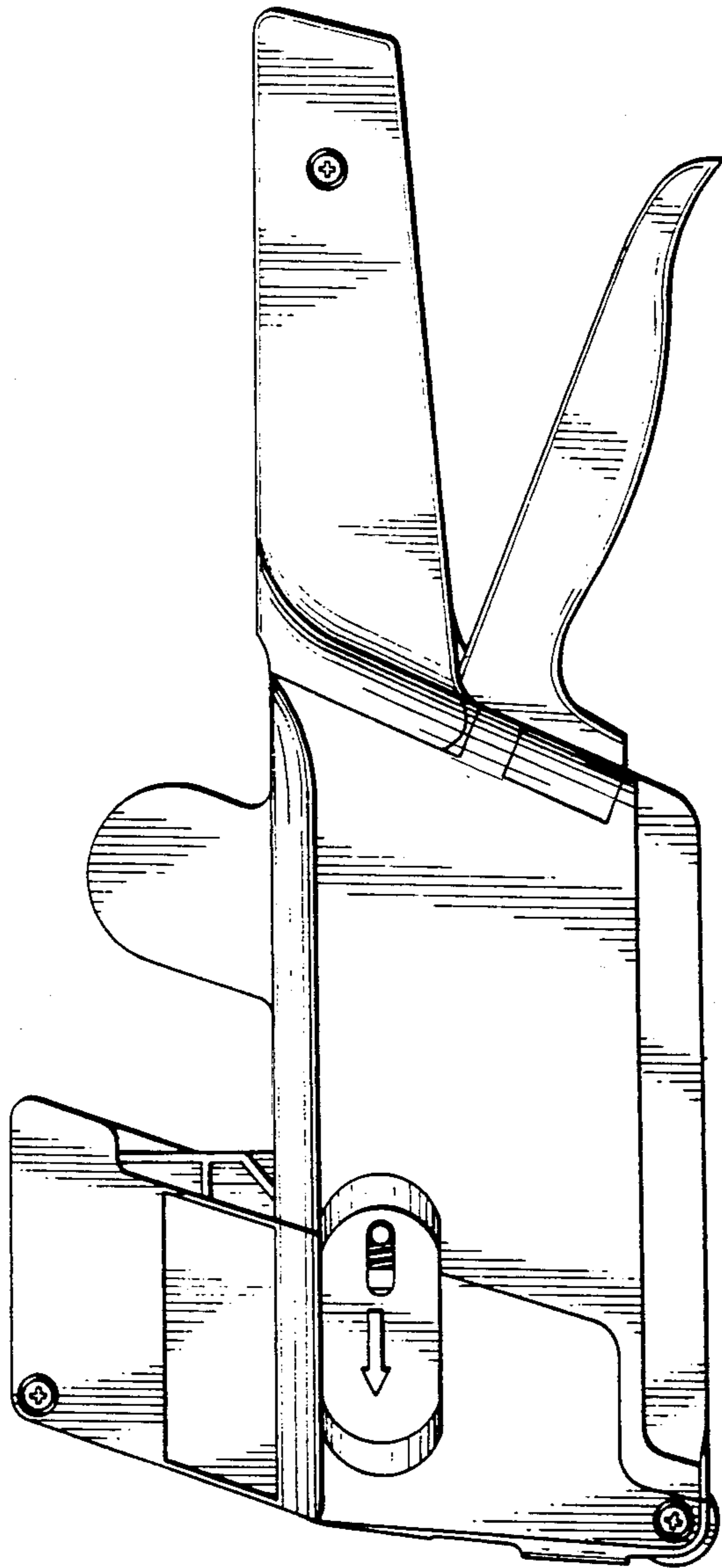


FIG. 1

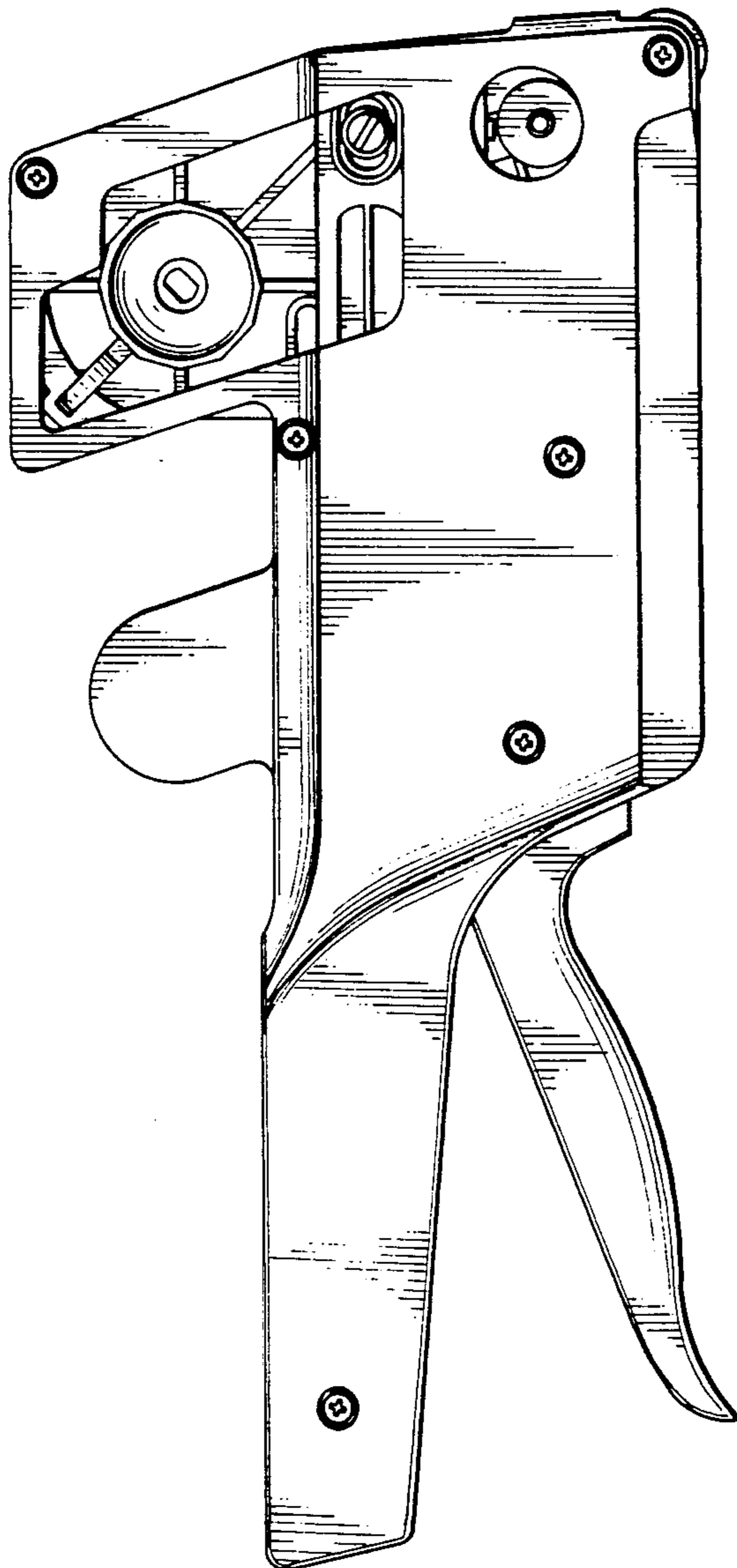


FIG. 2

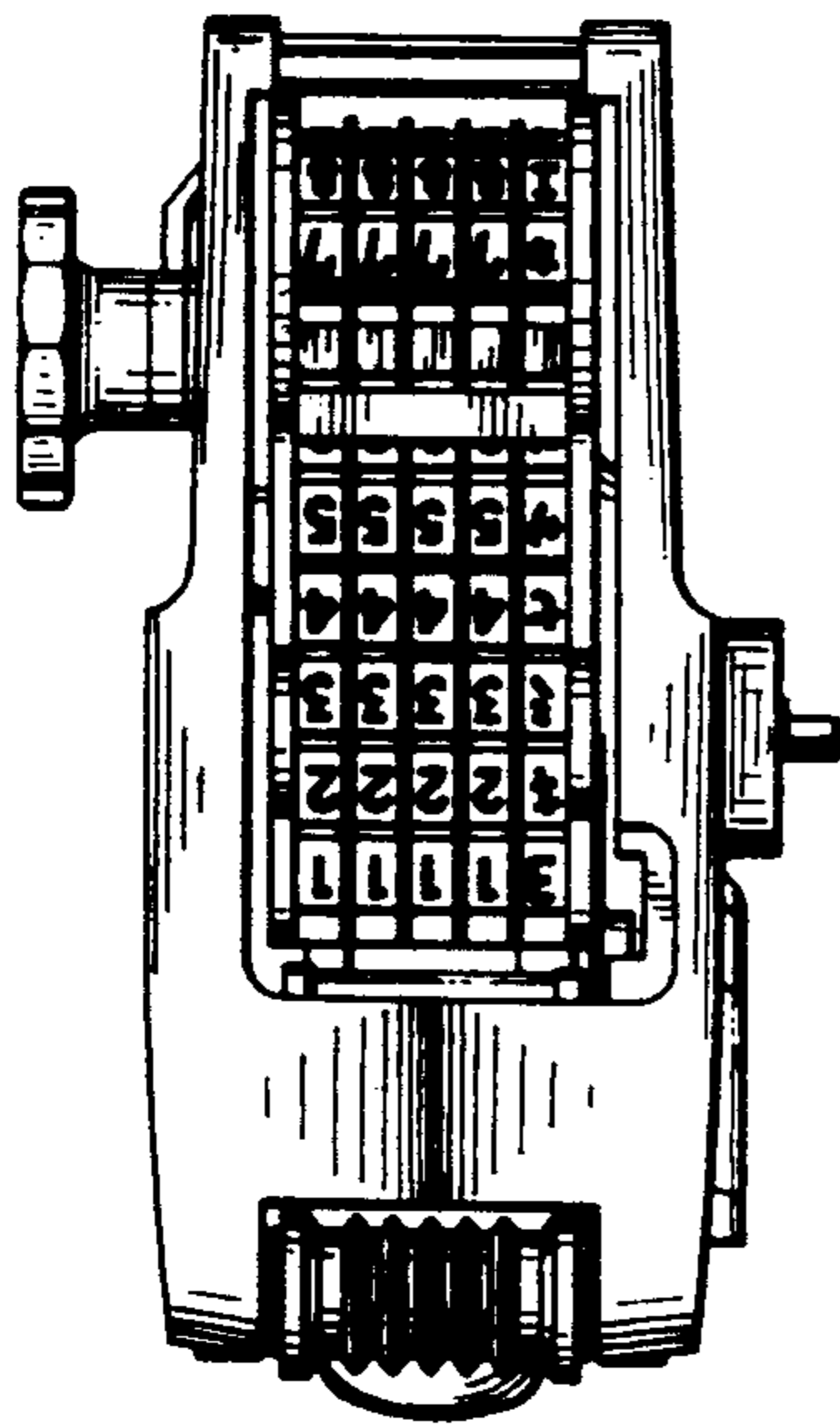


FIG. 3

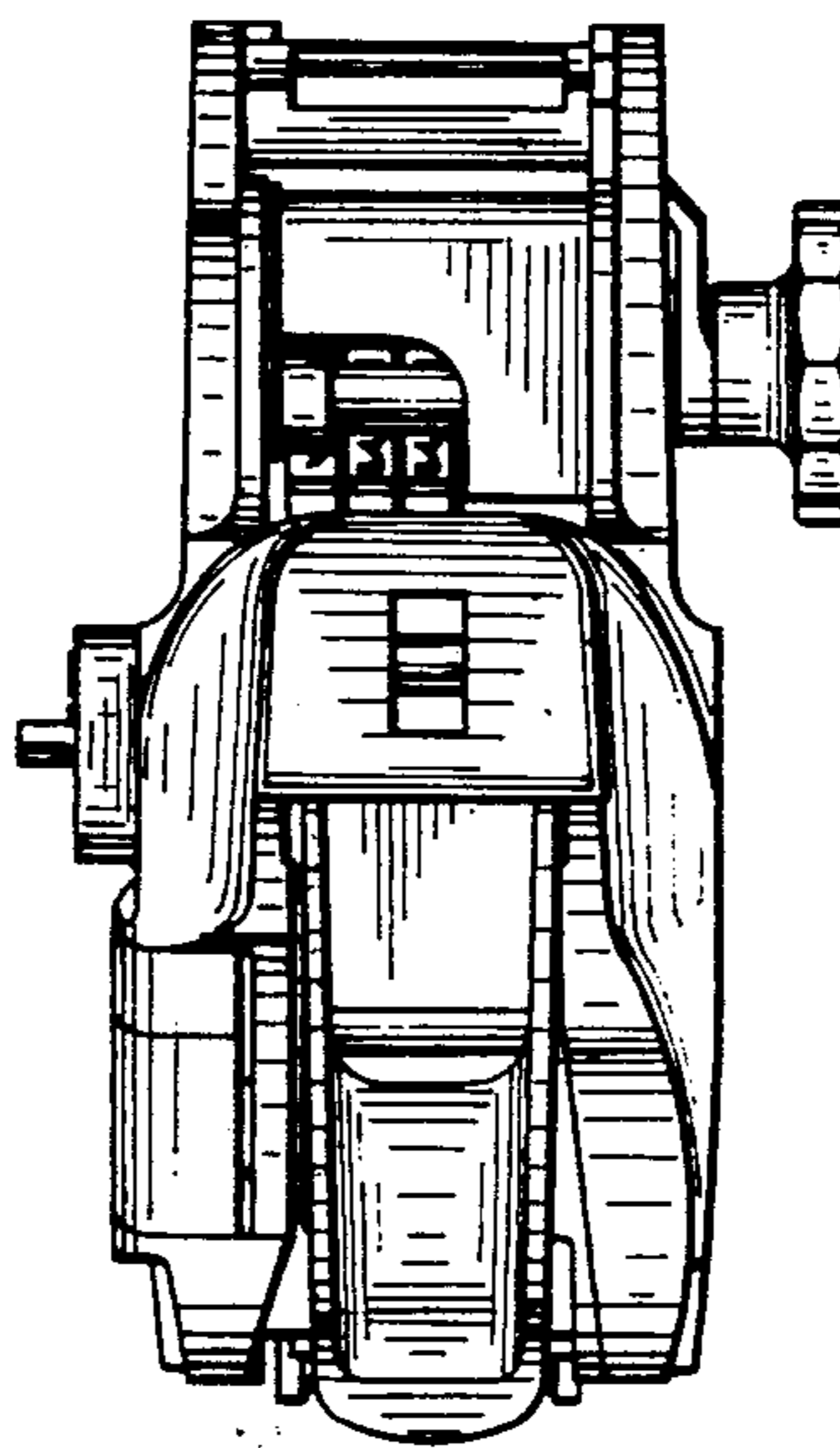


FIG. 4

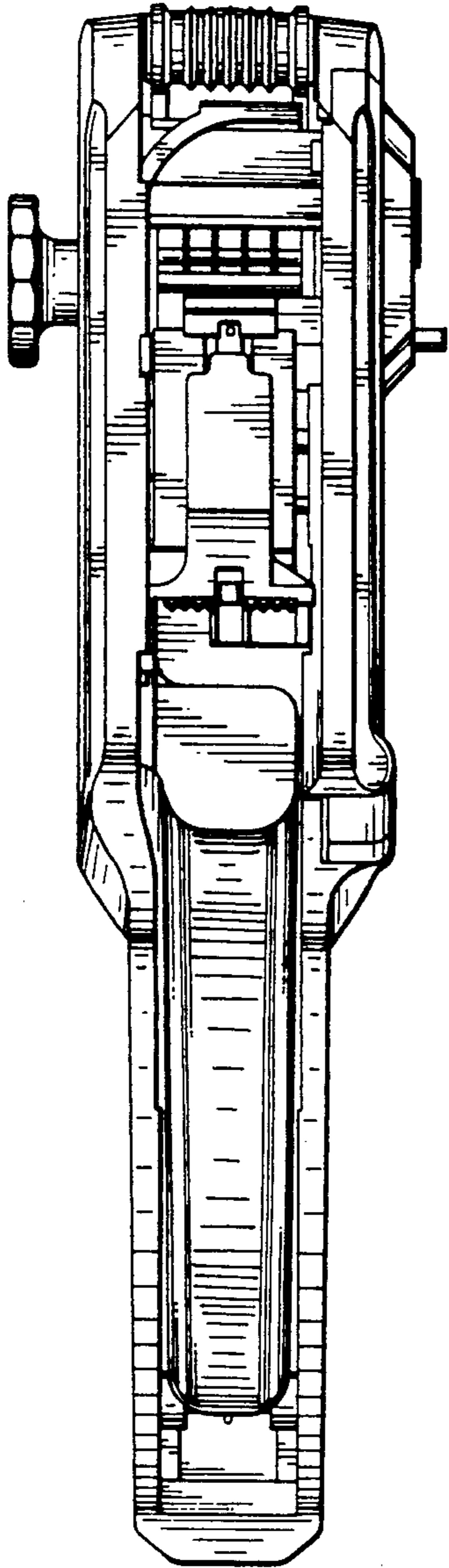


FIG. 5

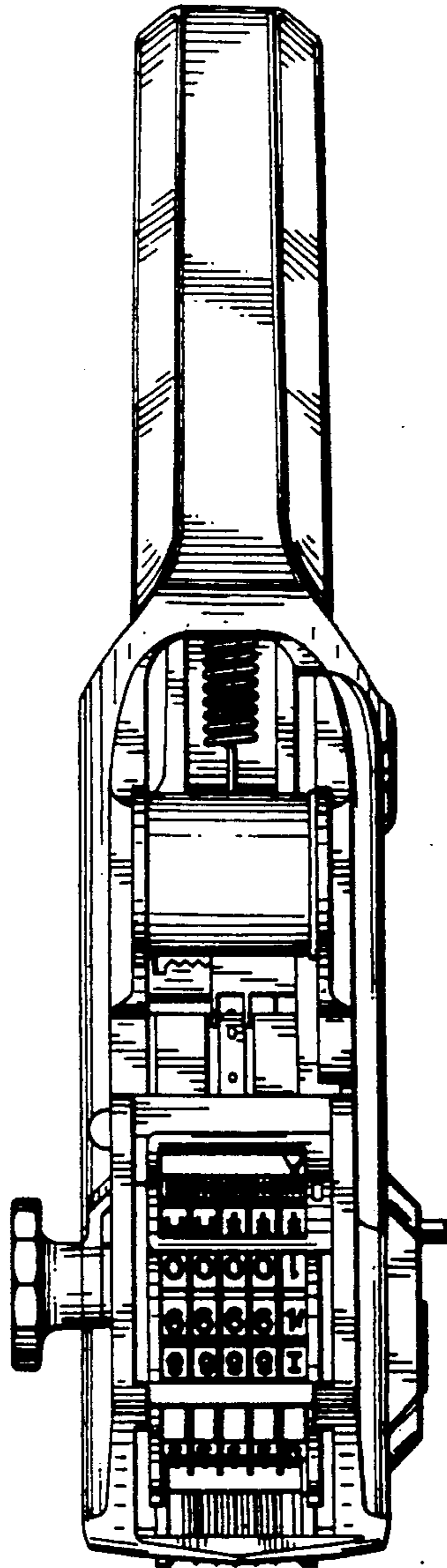


FIG. 6

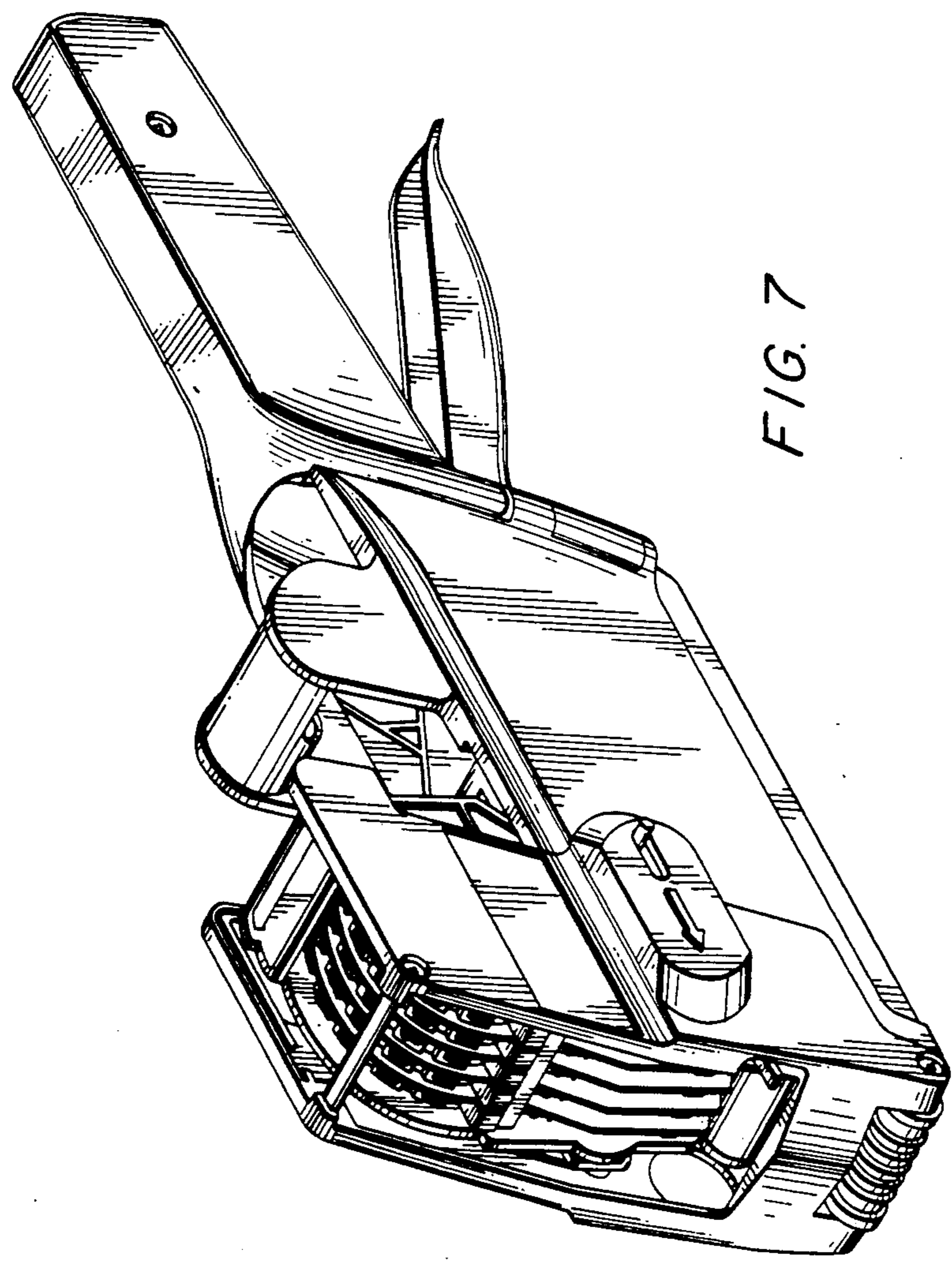


FIG. 7

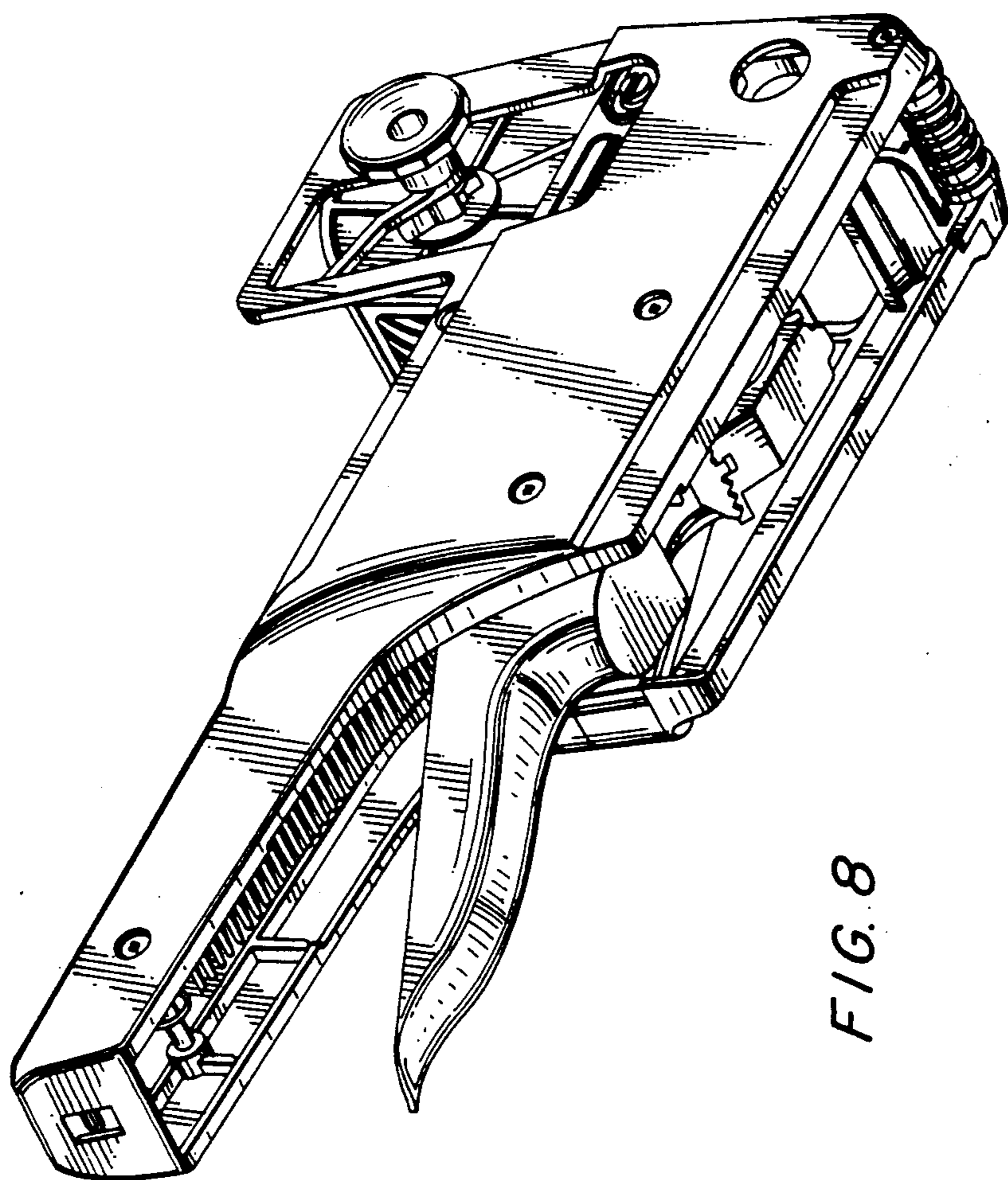


FIG. 8

UNITED STATES PATENT AND TRADEMARK OFFICE  
**CERTIFICATE OF CORRECTION**

PATENT NO. : Des. 259,495  
DATED : June 9, 1981  
INVENTOR(S) : Tokio WADA

Page 1 of 2

It is certified that error appears in the above—identified patent and that said Letters Patent is hereby corrected as shown below:

Figure 8 is corrected to appear as shown on the attached print.

**Signed and Sealed this**

*Second Day of November 1982*

[SEAL]

*Attest:*

**GERALD J. MOSSINGHOFF**

*Attesting Officer*

*Commissioner of Patents and Trademarks*



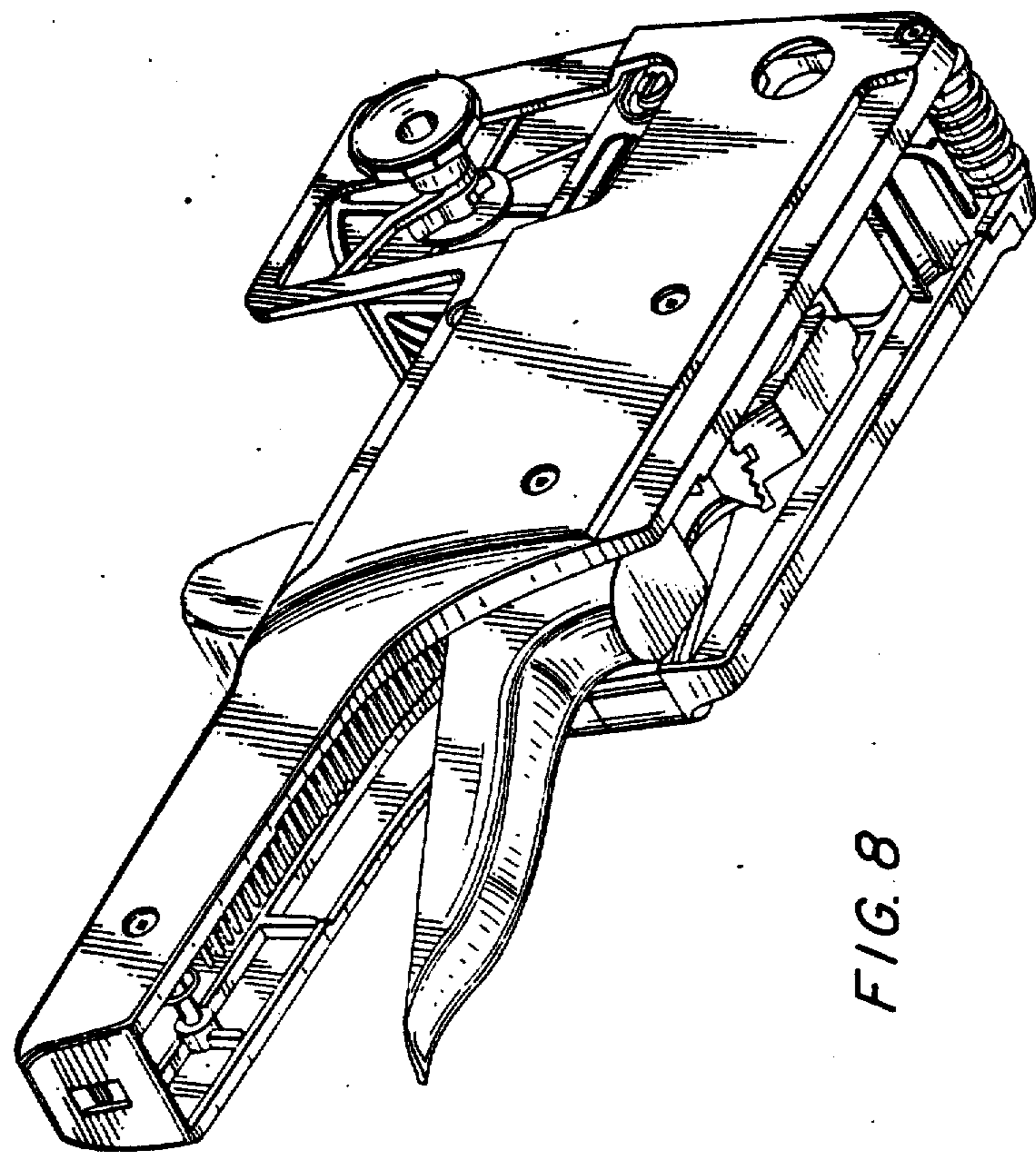


FIG. 8