

[54] BOAT PROPELLING UNIT

[76] Inventors: Leslie G. Carter, 15420 Tiger Bend Rd.; Warren A. Coco, 5848 Stumberg La., both of Baton Rouge, La. 70816

[**] Term: 14 Years

[21] Appl. No.: 912,936

[22] Filed: Jun. 5, 1978

[51] Int. Cl. D12-06

[52] U.S. Cl. D15/4

[58] Field of Search D15/4; 115/18 R, 18 A, 115/41 R, 35, 17

[56]

References Cited

U.S. PATENT DOCUMENTS

3,752,111 8/1973 Meynier, Jr. 115/41 R
3,874,318 4/1975 Langley 115/17

Primary Examiner—James M. Gandy
Attorney, Agent, or Firm—David L. Ray; Edgar E. Spielman, Jr.

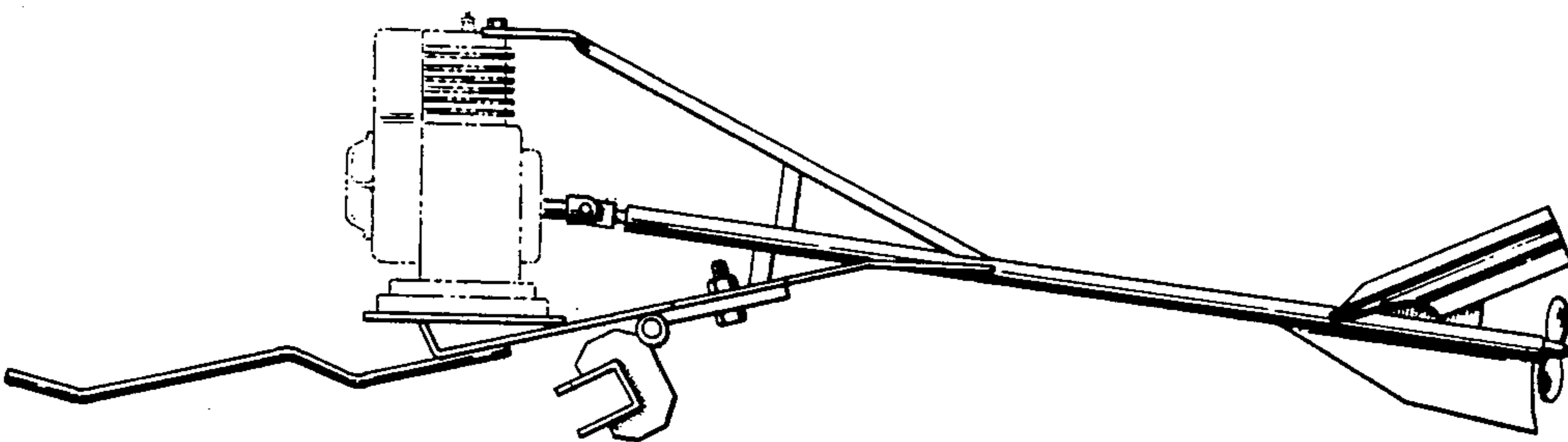
[57]

CLAIM

The ornamental design for a boat propelling unit, substantially as shown and described.

DESCRIPTION

FIG. 1 is a side elevational view of a boat propelling unit showing my new design; FIG. 2 is a top plan view thereof; FIG. 3 is a bottom plan view thereof; and FIG. 4 is an end elevational view thereof. The motor is shown in broken lines in FIGS. 1, 2, and 4, for illustrative purposes only.



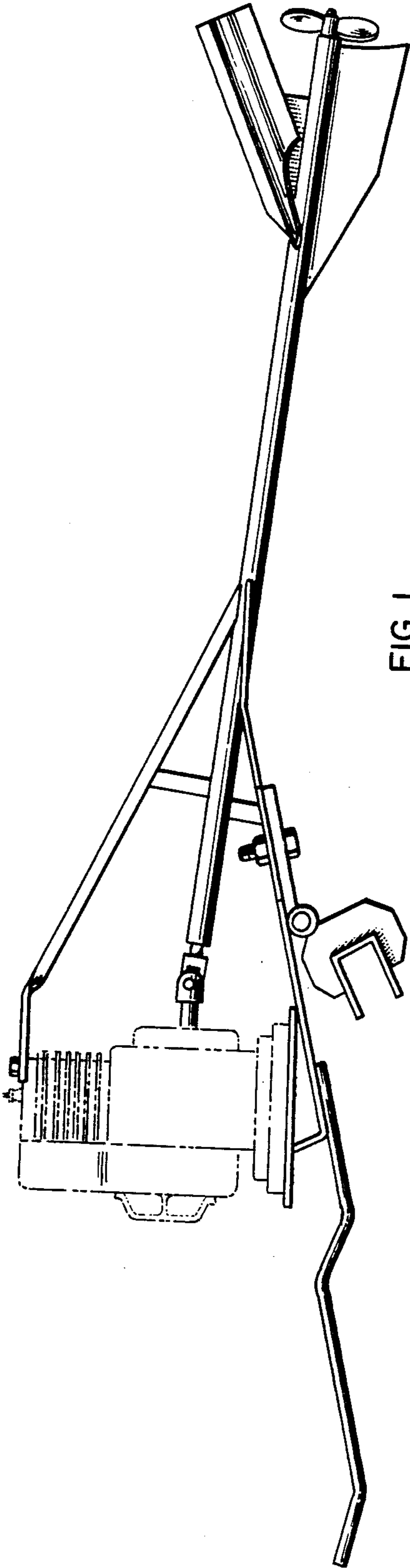


FIG. 1.

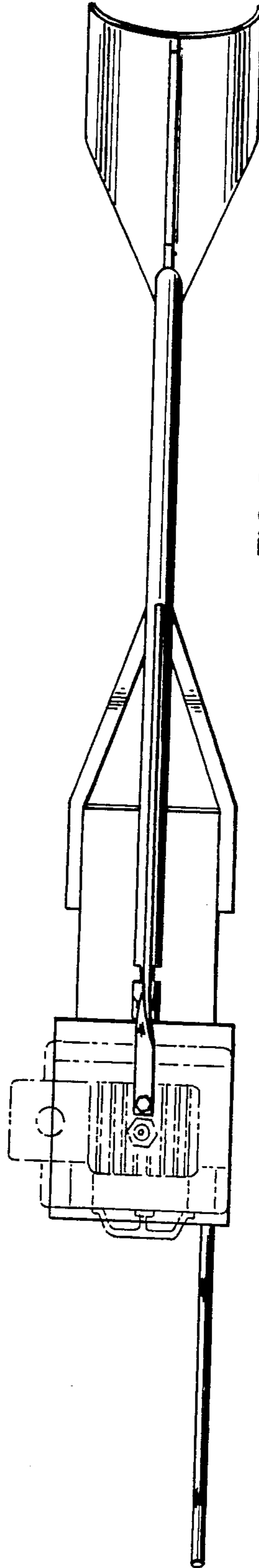


FIG. 2.

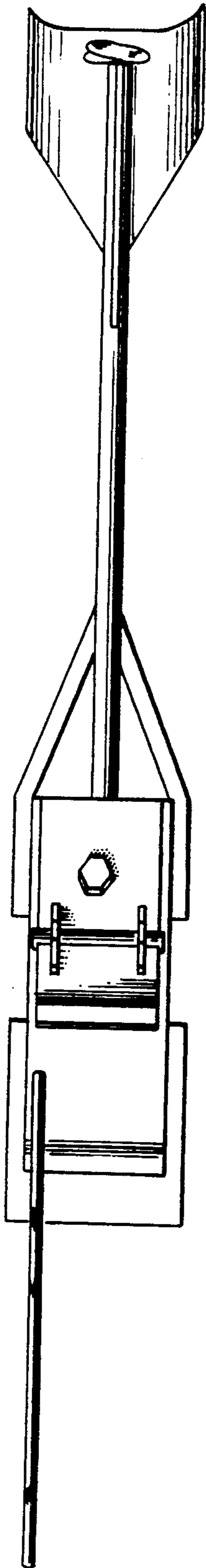


FIG. 3.

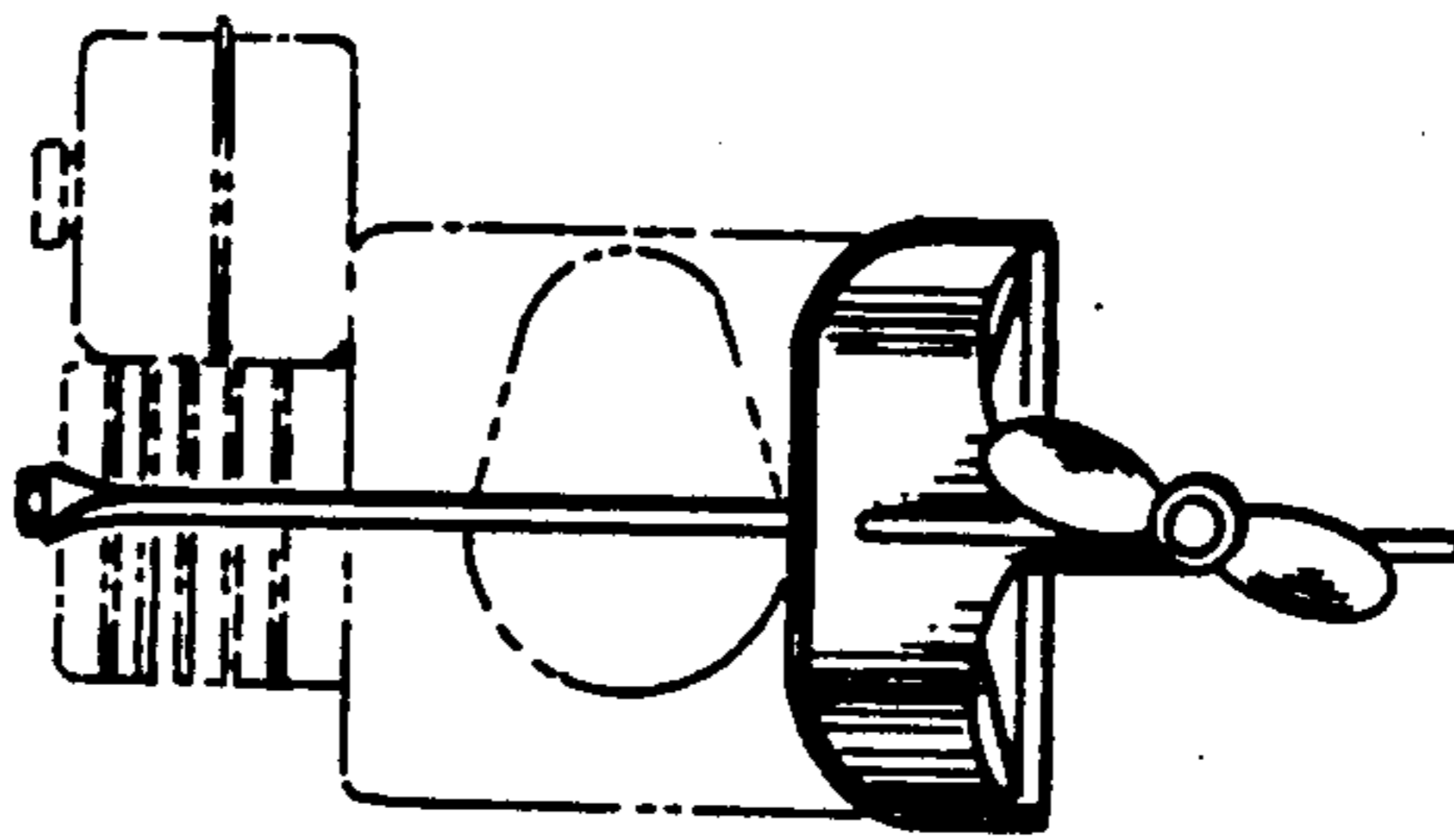


FIG. 4.