

[54] SIMULATIVE TOY MOBILE

[76] Inventor: Robert R. Schoch, 517 Otteray Dr., High Point, N.C. 27260

[\*\*] Term: 14 Years

[21] Appl. No.: 919,367

[22] Filed: Jun. 26, 1978

[51] Int. Cl. .... D11-02

[52] U.S. Cl. .... D11/141; D21/62; D21/90

[58] Field of Search ..... D21/62, 63, 87, 88, D21/89, 90, 91, 82, 83, 114; 46/74, 76 A, 76 R, 78, 79, 86, 81; D12/71; 244/153 R, 154, 155 R; D11/141, 142; 160/330, 332; D30/11

[56] References Cited

U.S. PATENT DOCUMENTS

- D. 183,744 10/1958 Hutzler ..... D21/63
- D. 244,172 5/1977 Lee ..... D21/114
- D. 250,786 1/1979 Venditti ..... D21/89

OTHER PUBLICATIONS

Washington Post Magazine, 6-11-1978, p. 18, Biplane Mobile at bottom of page.

Primary Examiner—Charles A. Rademaker

[57] CLAIM

The ornamental design for a simulative toy mobile, as shown and described.

DESCRIPTION

FIG. 1 is a perspective view of a simulative toy mobile showing my new design;

FIG. 2 is a top plan view thereof shown on a slightly reduced scale;

FIG. 3 is a left side elevational view of the airplane member shown on the left side of FIG. 1;

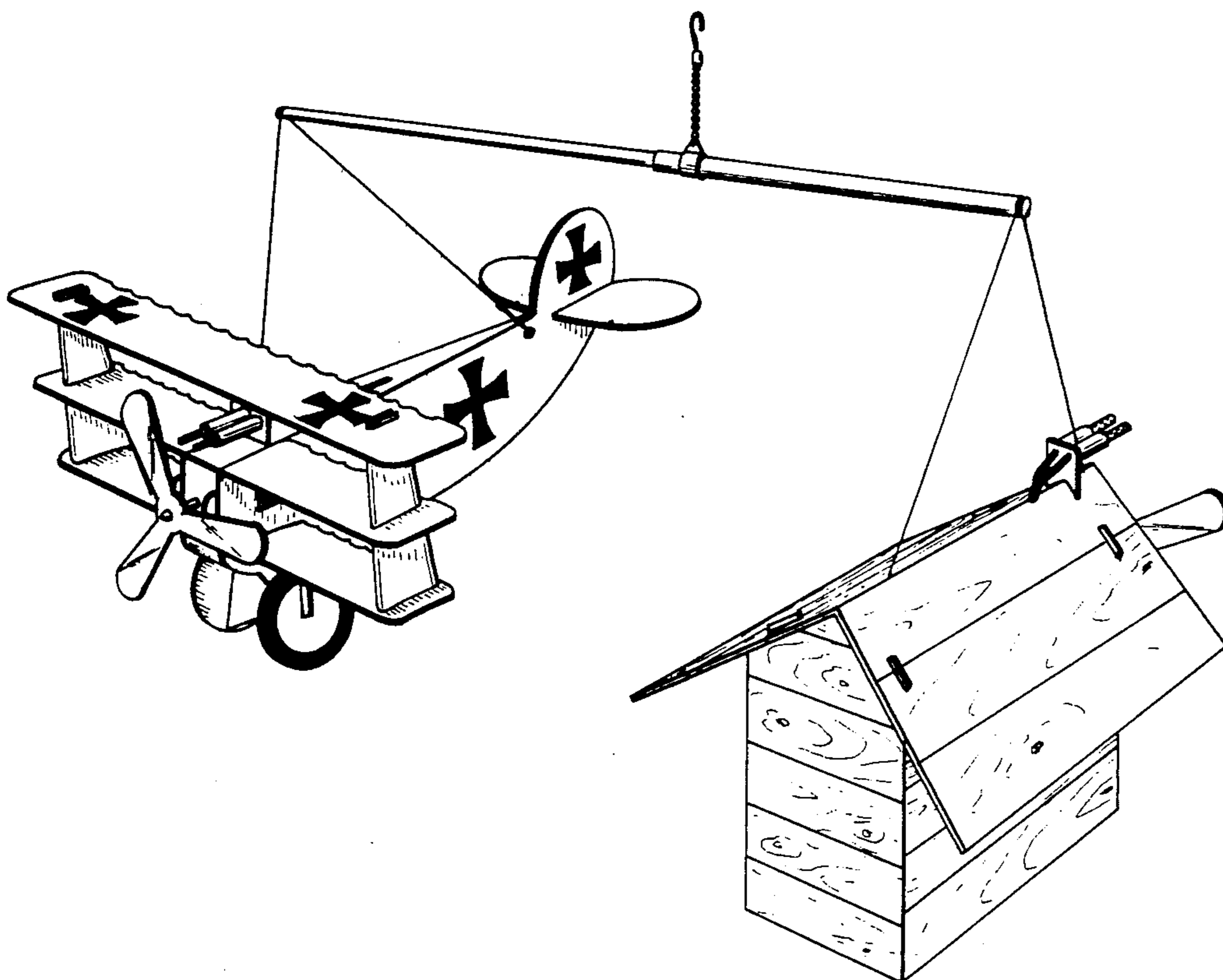
FIG. 4 is a front elevational view thereof;

FIG. 5 is a left side elevational view of the aerial member shown on the right side of FIG. 1;

FIG. 6 is a front elevational view thereof; and

FIG. 7 is a rear elevational view thereof on a reduced scale.

Portions of the support structure and tether members have been omitted from FIGS. 3-7 for ease of illustration.



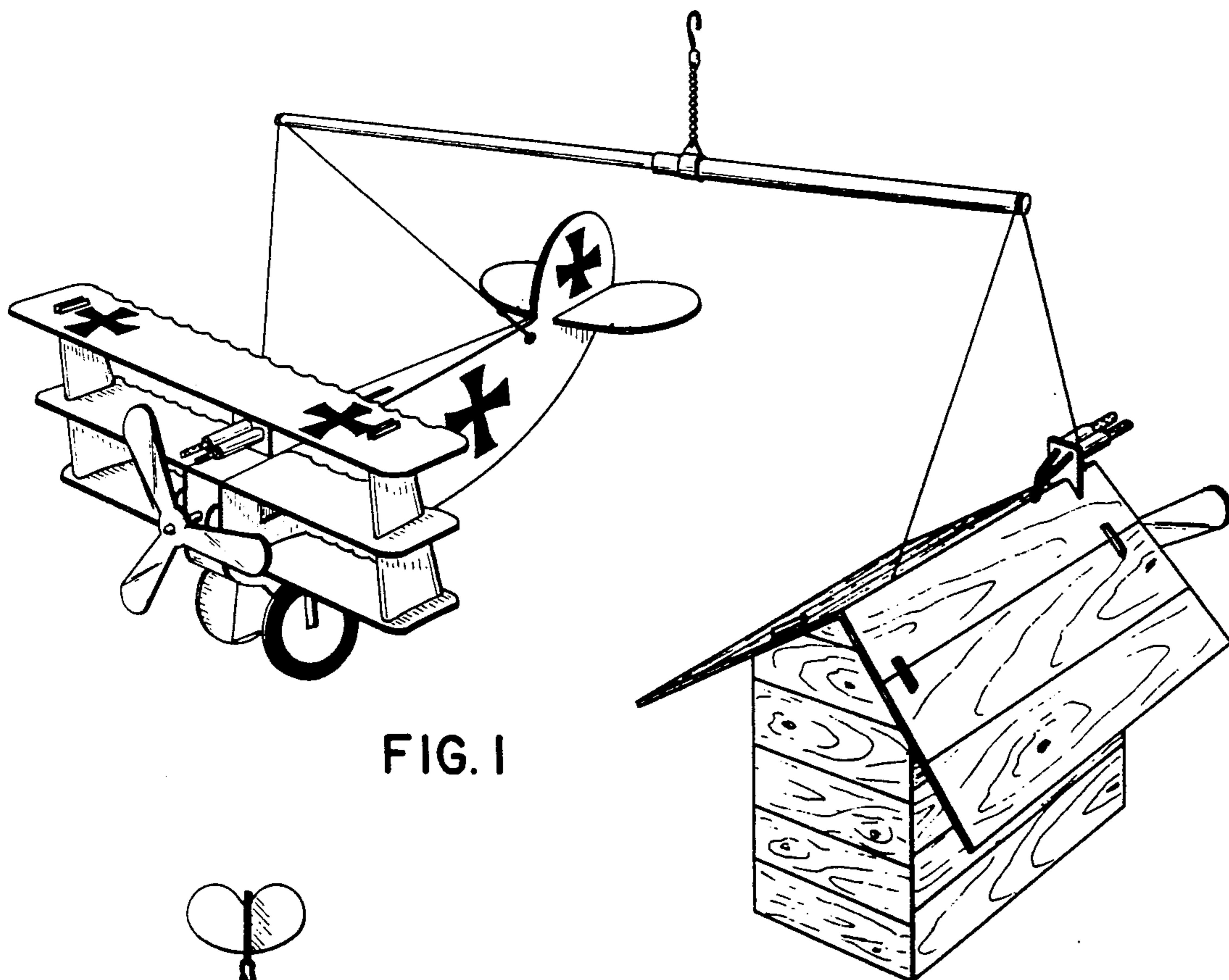


FIG. 1

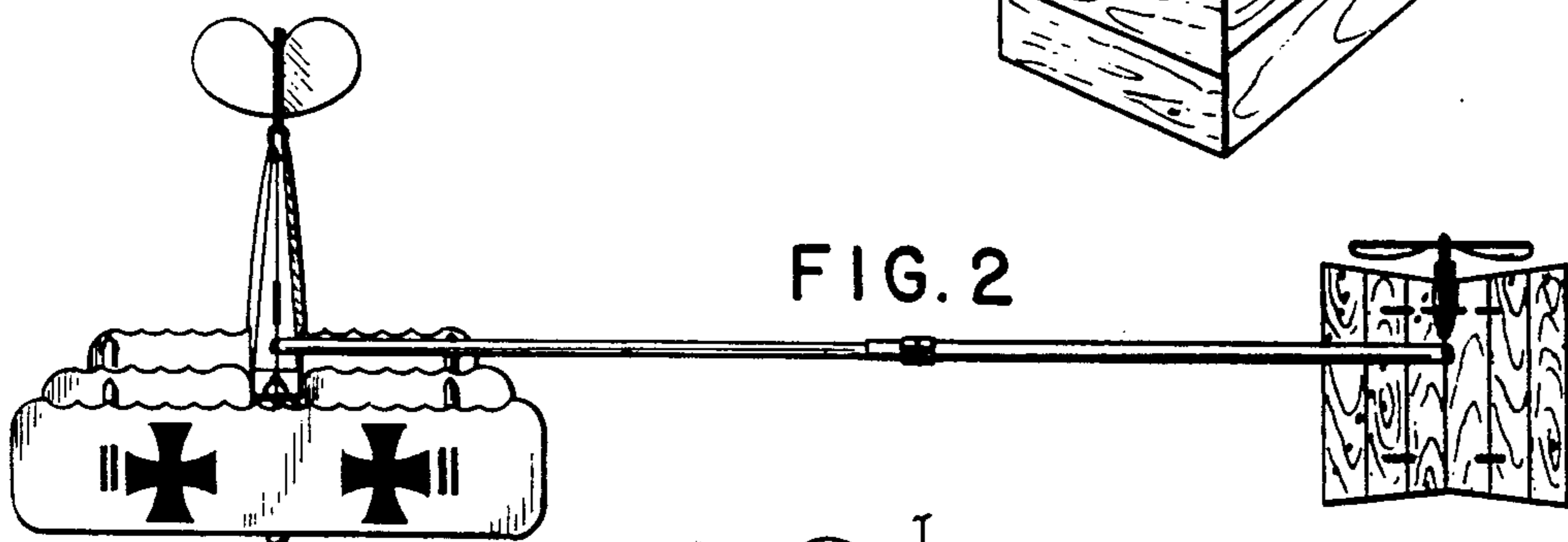


FIG. 2

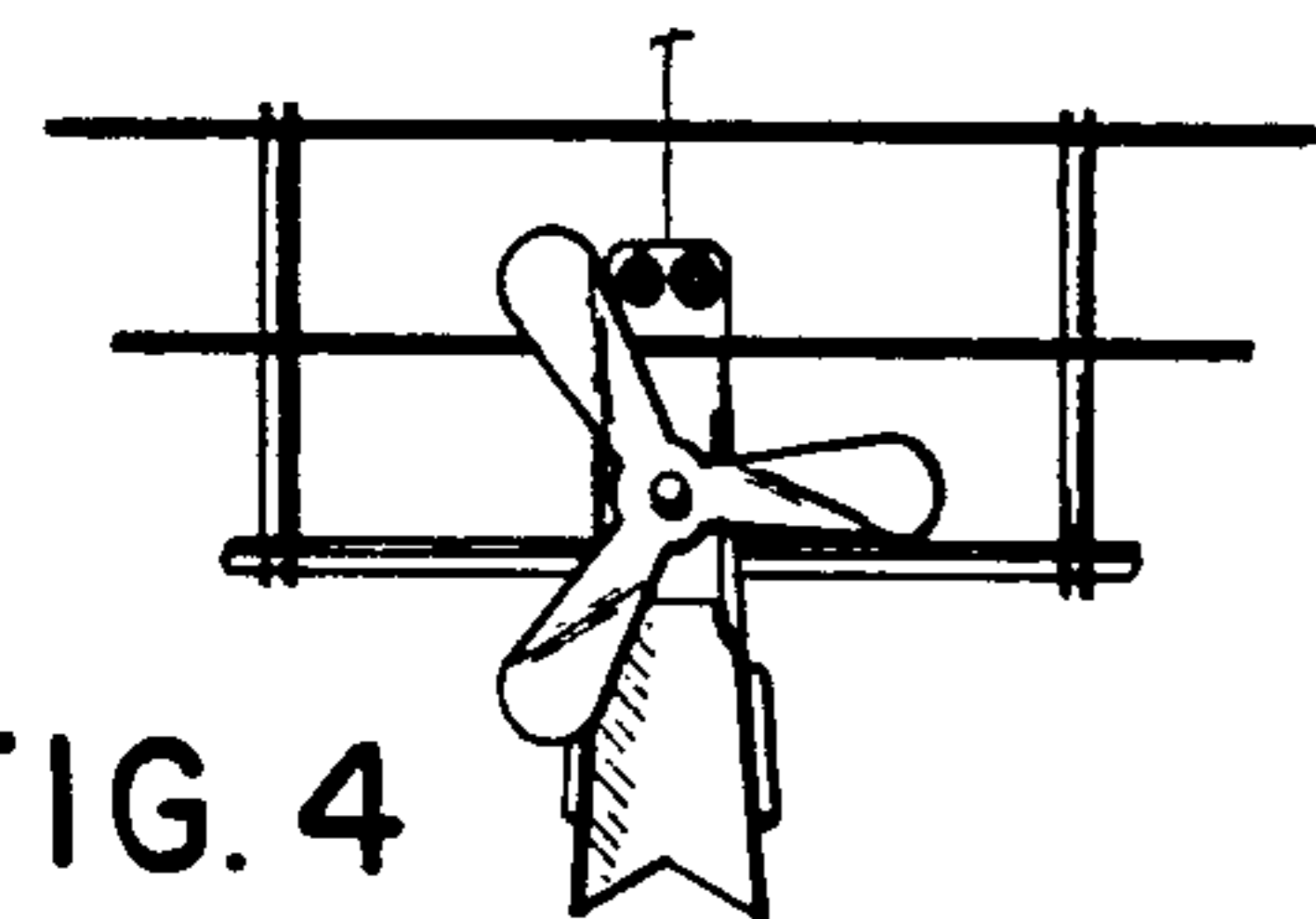


FIG. 4

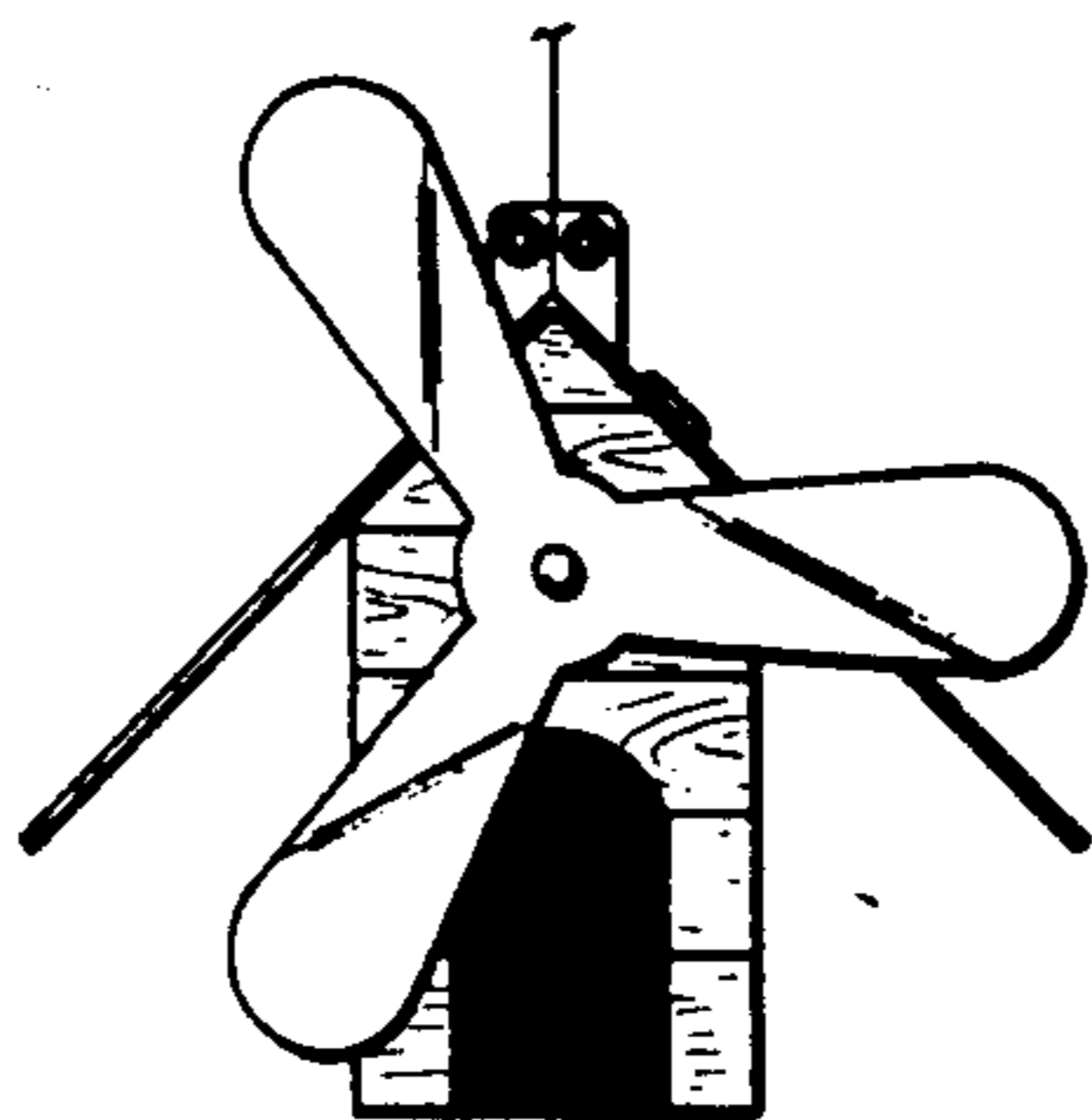


FIG. 6

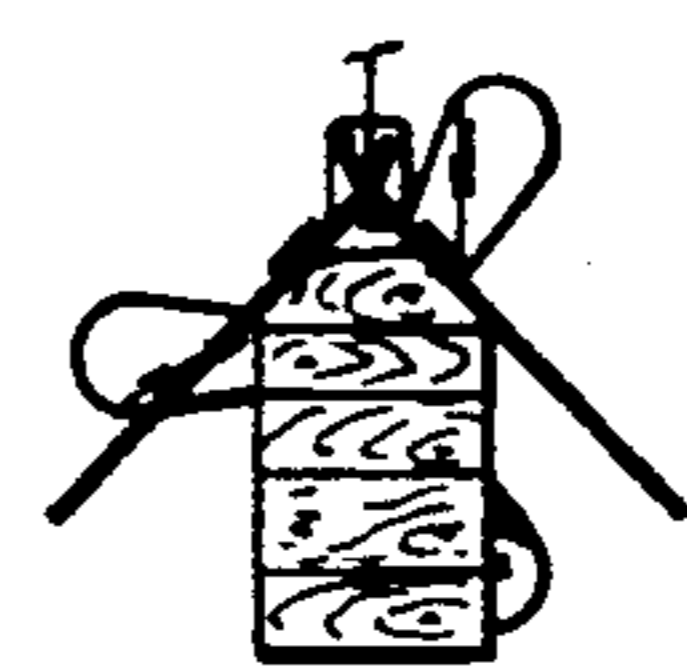


FIG. 7

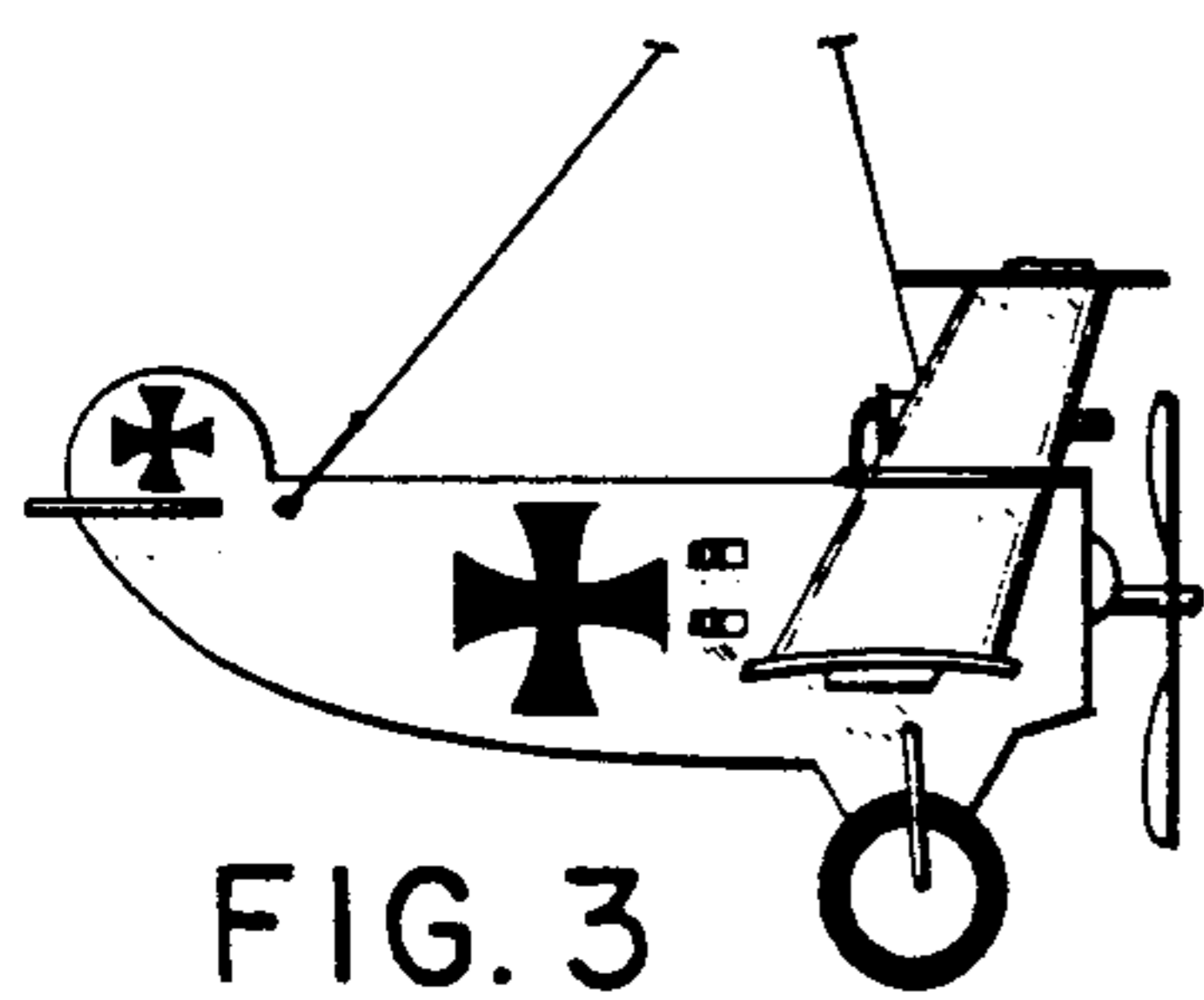


FIG. 3

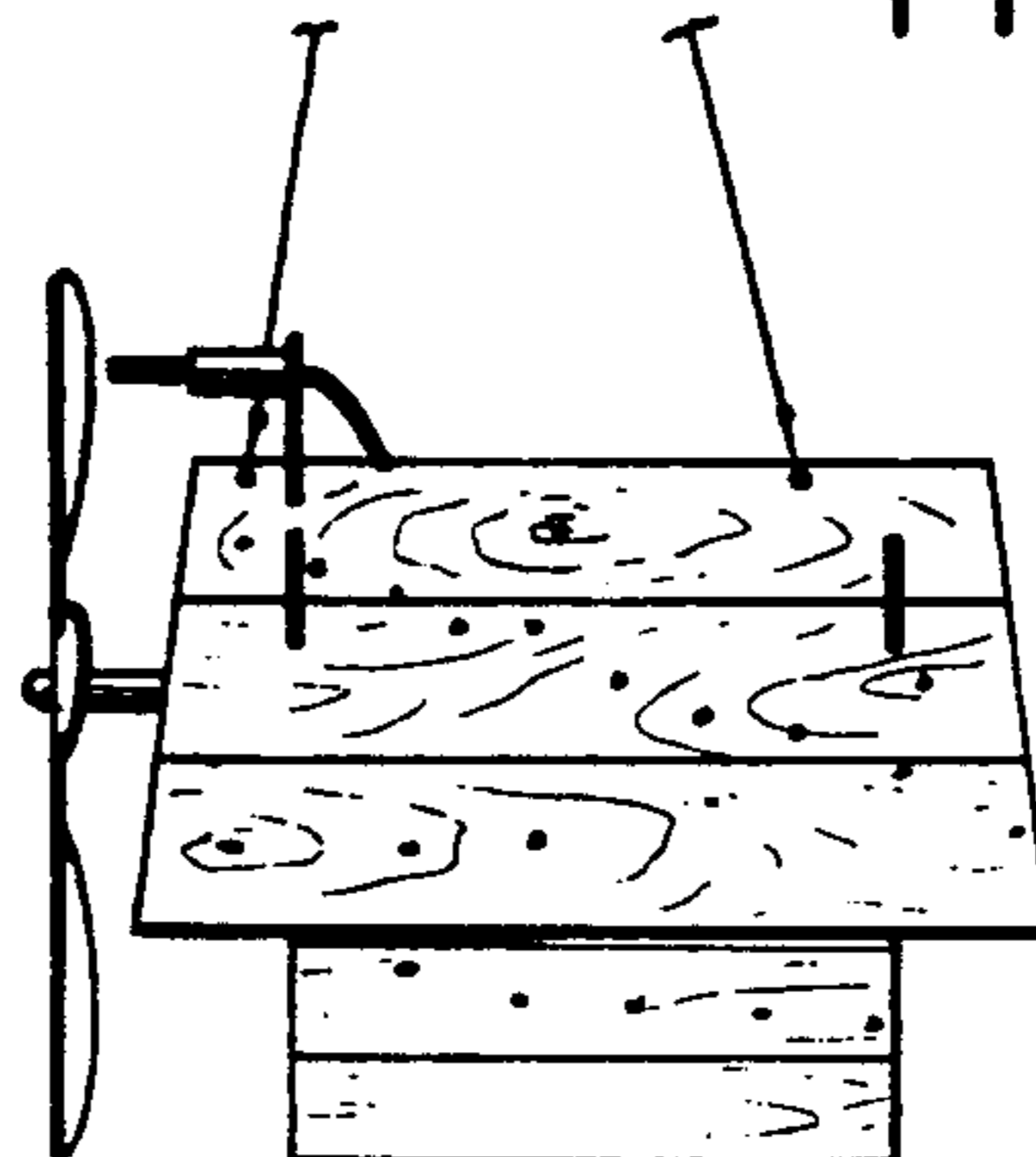


FIG. 5