

[54] MANIFOLD HOLDER

[76] Inventor: Hyman W. Paley, 20 Broadmoor Dr., San Francisco, Calif. 94132

[\*\*] Term: 14 Years

[21] Appl. No.: 969,410

[22] Filed: Dec. 14, 1978

[51] Int. Cl. .... D8-05; D8-08

[52] U.S. Cl. .... D8/72; D8/71

[58] Field of Search ..... D8/71, 72; 269/41, 321 N, 269/98

[56] References Cited

U.S. PATENT DOCUMENTS

D. 193,736	10/1962	Yandt .....	D8/72
D. 203,355	12/1965	Kuziak .....	D8/72
2,991,669	7/1961	Stock .....	D8/71

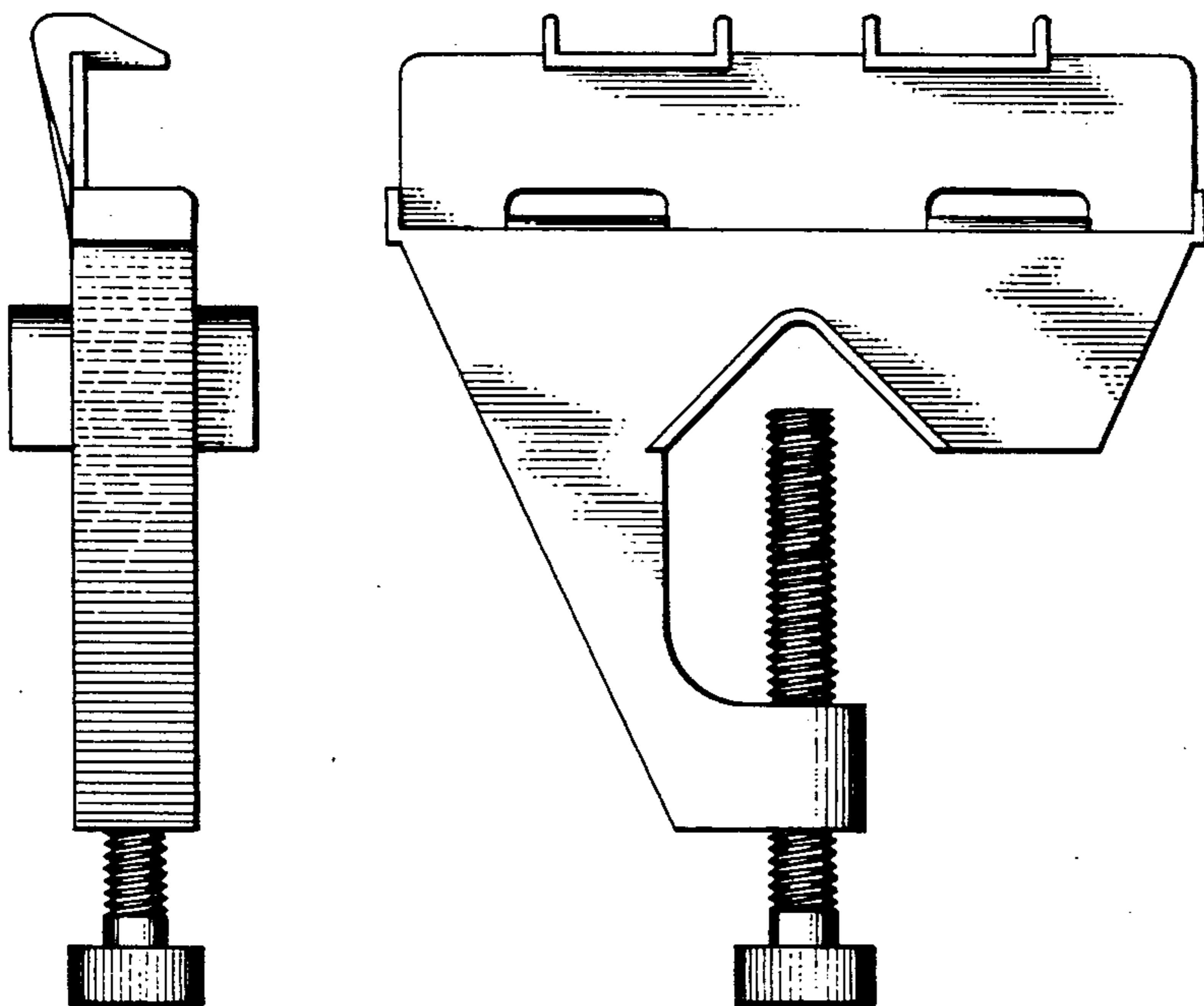
Primary Examiner—Sam Rosen  
Attorney, Agent, or Firm—Flehr, Hombach, Test, Albritton & Herbert

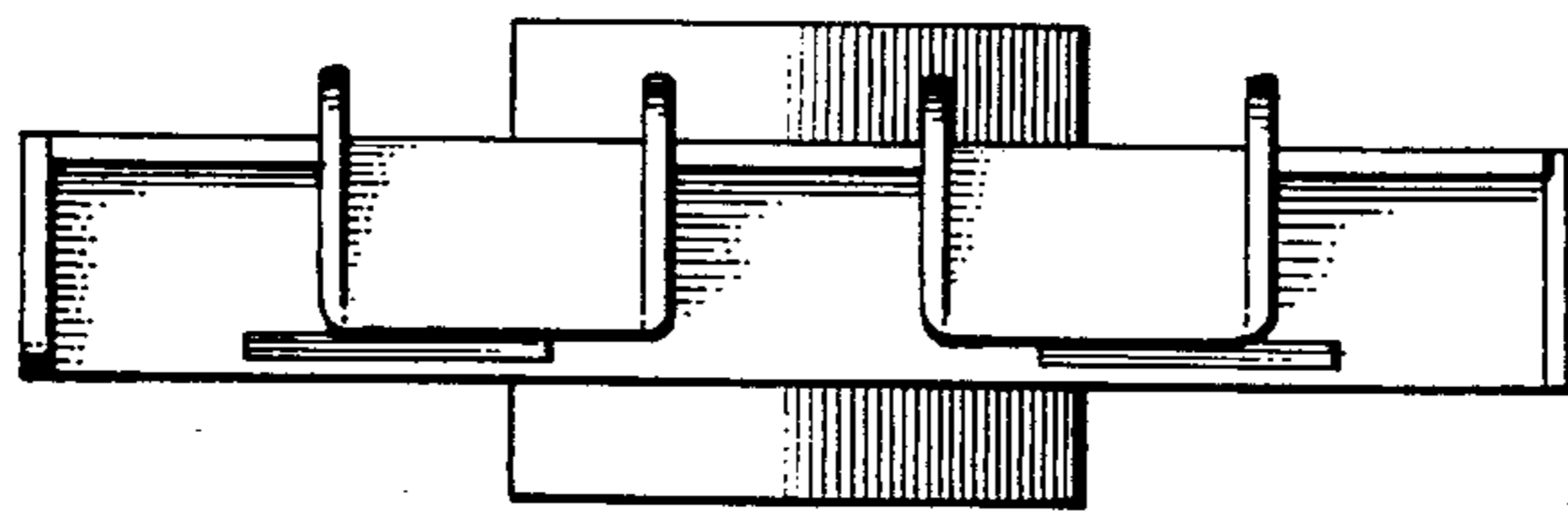
[57] CLAIM

The ornamental design for a manifold holder, as shown.

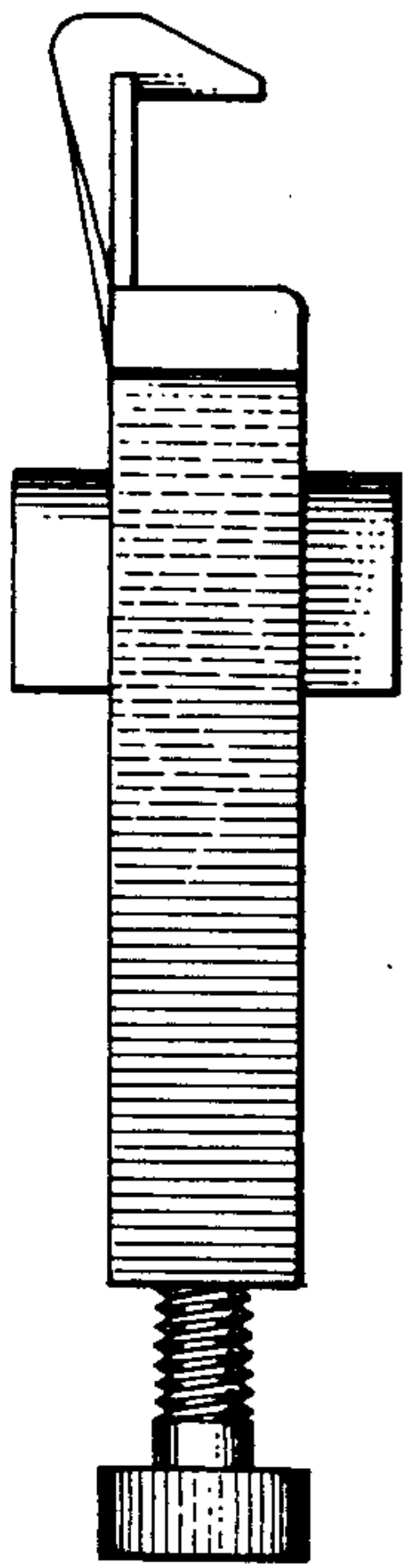
DESCRIPTION

FIG. 1 is a rear elevational view of a manifold holder according to my new design;  
FIG. 2 is a top plan view thereof;  
FIG. 3 is a left side elevational view thereof, rotated 90° in the clockwise direction;  
FIG. 4 is a right side elevational view thereof, rotated 90° in the counterclockwise direction;  
FIG. 5 is a front elevational view thereof;  
FIG. 6 is a bottom plan view thereof; and  
FIG. 7 is an isometric view showing the rear, bottom and right sides thereof.

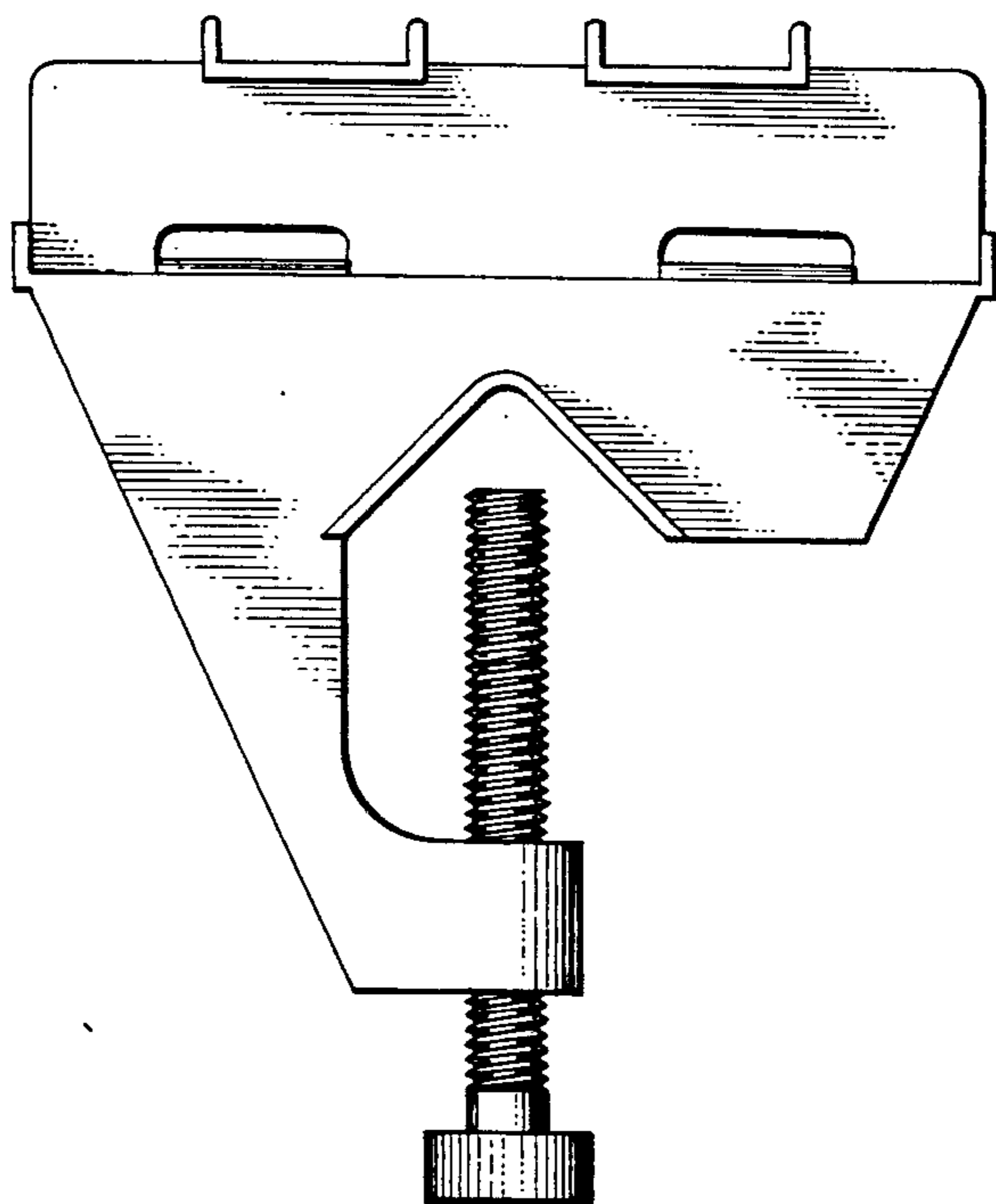




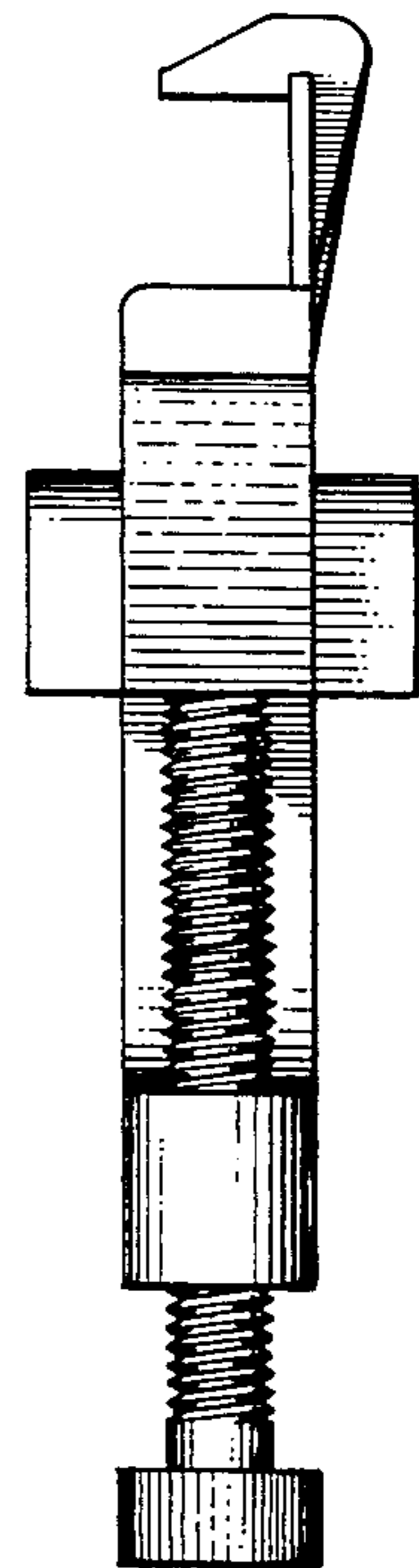
**FIG. 1**



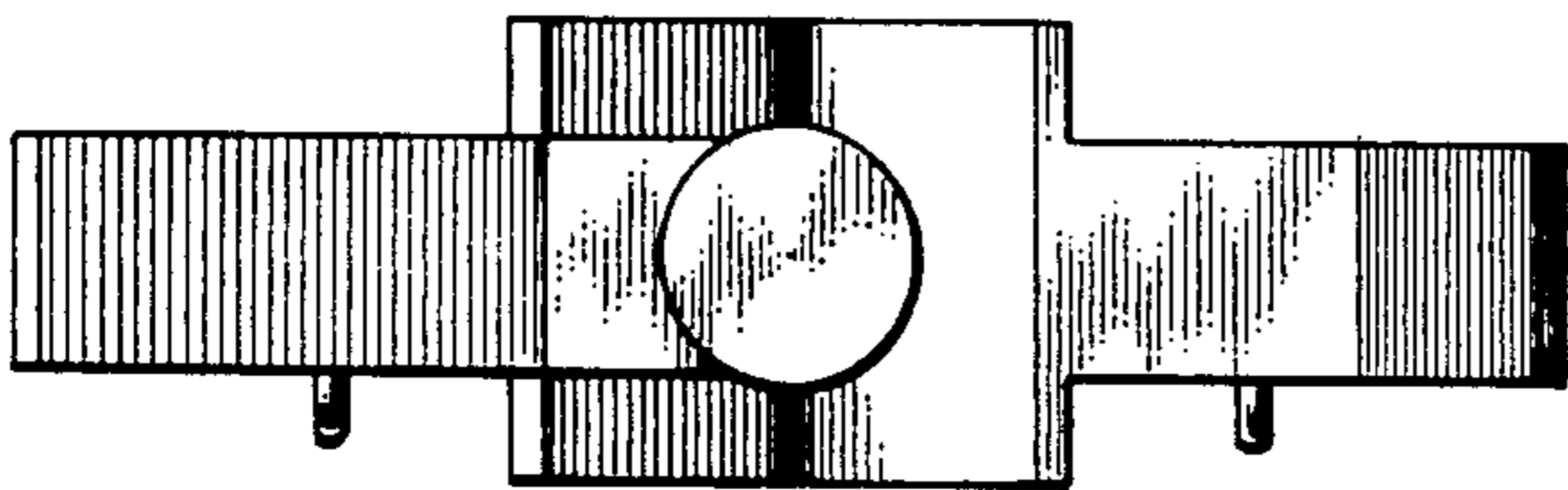
**FIG. 3**



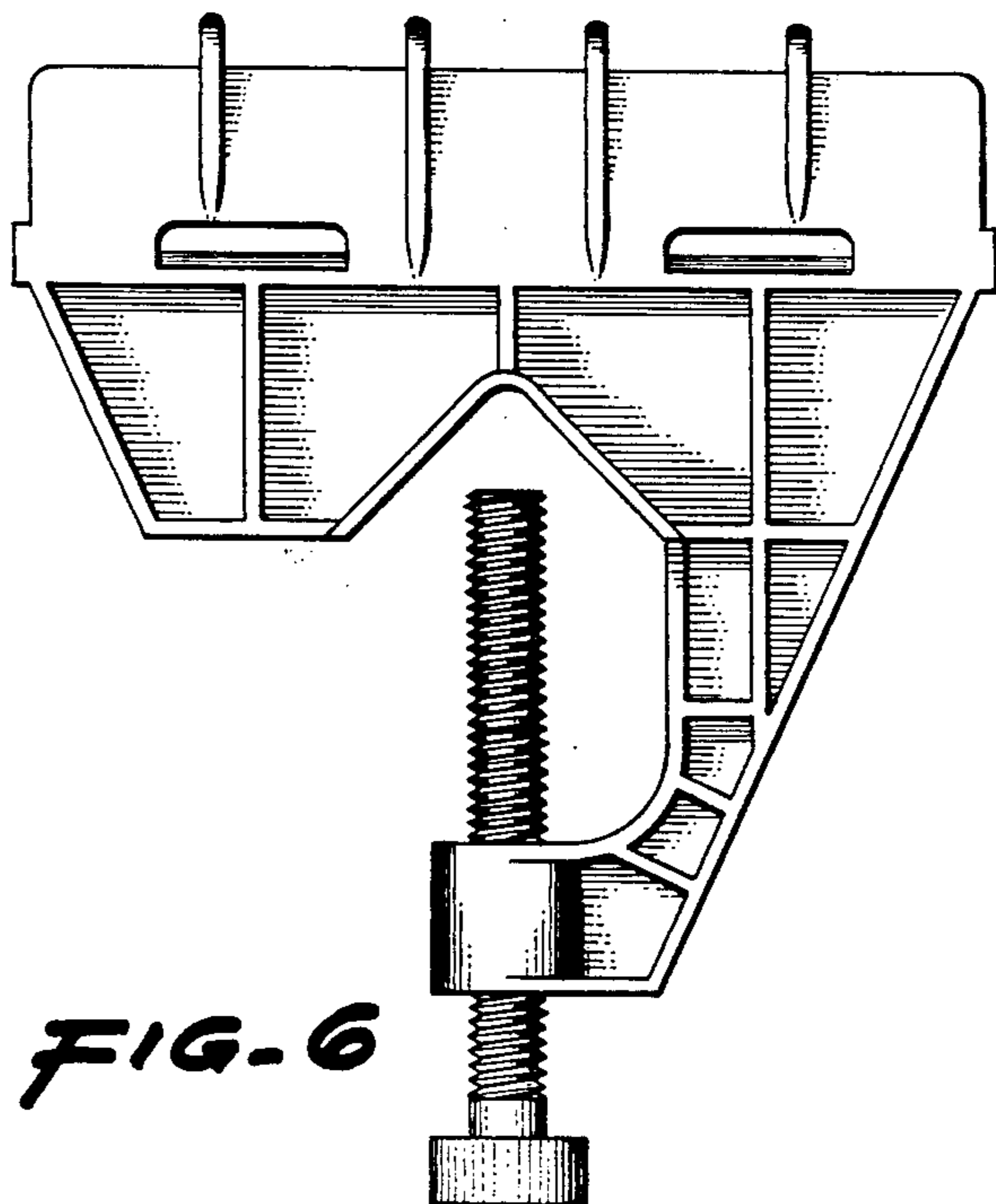
**FIG. 2**



**FIG. 4**



**FIG. 5**



**FIG. 6**

FIG-7

