

- [54] MEASURING CUP OR THE LIKE
- [75] Inventors: Robert H. C. M. Daenen, Hekelgem;  
Pieter K. J. de Coster, Aalst, both of  
Belgium
- [73] Assignee: Dart Industries Inc., Los Angeles,  
Calif.
- [\*\*] Term: 14 Years
- [21] Appl. No.: 890,352
- [22] Filed: Mar. 27, 1978
- [51] Int. Cl. .... D7-04
- [52] U.S. Cl. .... D7/50
- [58] Field of Search ..... D7/50, 59, 60, 81, 41,  
D7/9, 6; 73/426, 427, 429

D. 250,565 12/1978 Stowell ..... D7/9  
2,230,479 2/1941 Becher ..... 73/429

OTHER PUBLICATIONS

Lustroware, Catalog #605, Columbus Plastic Products,  
Inc., Columbus, Ohio, p. 12, items LS15 & LS16.

Primary Examiner—Donald B. Moyer  
Attorney, Agent, or Firm—Leigh B. Taylor

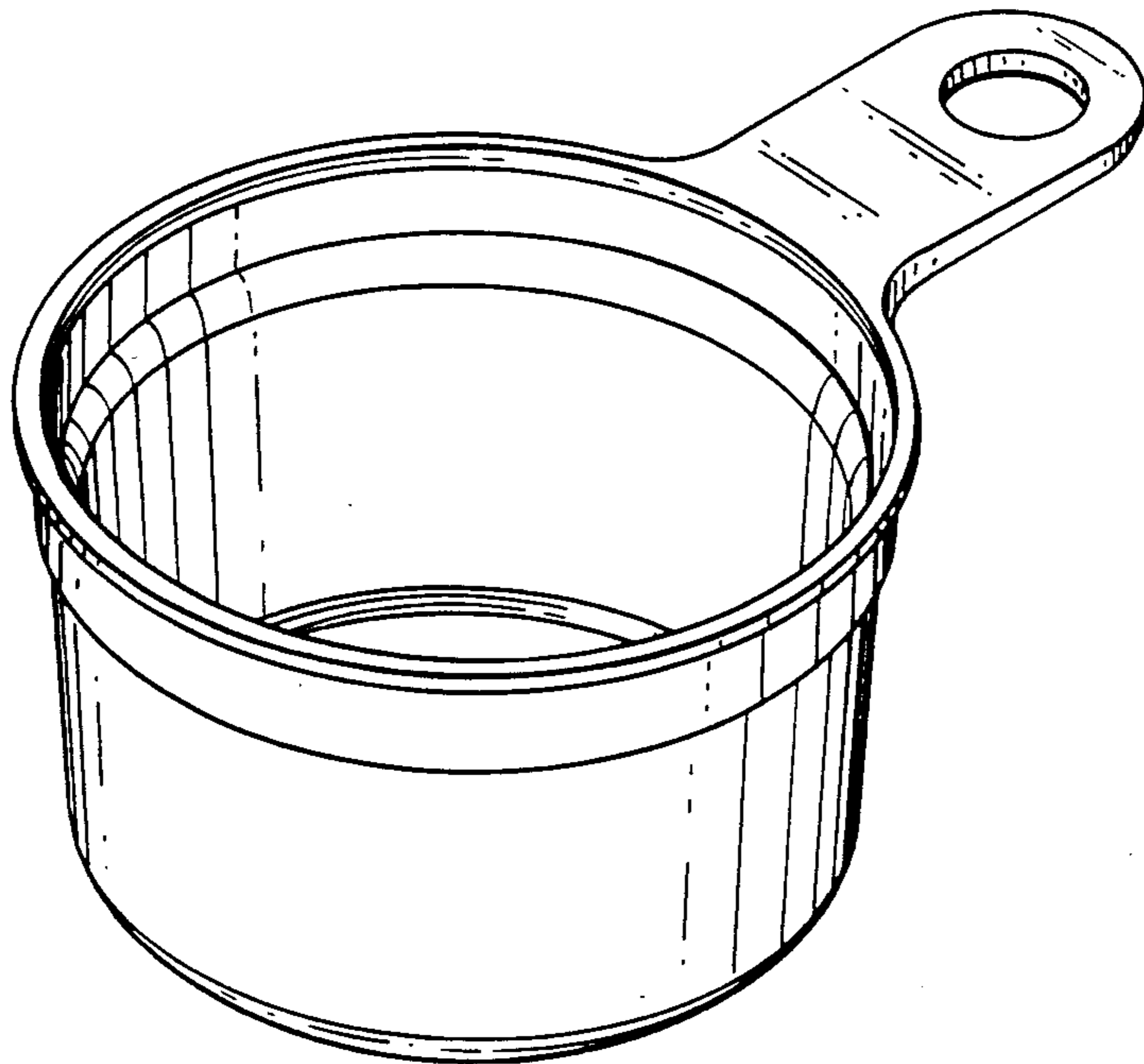
[57] CLAIM

The ornamental design for a measuring cup or the like,  
substantially as is shown and described.

DESCRIPTION

FIG. 1 is a top perspective view of a measuring cup or  
the like showing our new design;  
FIG. 2 is a bottom perspective view thereof;  
FIG. 3 is a side elevational view thereof;  
FIG. 4 is a rear elevational view thereof;  
FIG. 5 is a top plan view thereof; and  
FIG. 6 is a cross-sectional view thereof taken along line  
6-6 of FIG. 5.

- [56] References Cited
- U.S. PATENT DOCUMENTS
- D. 91,251 12/1933 Rettich ..... D7/50
- D. 127,543 5/1941 Strand ..... D7/50



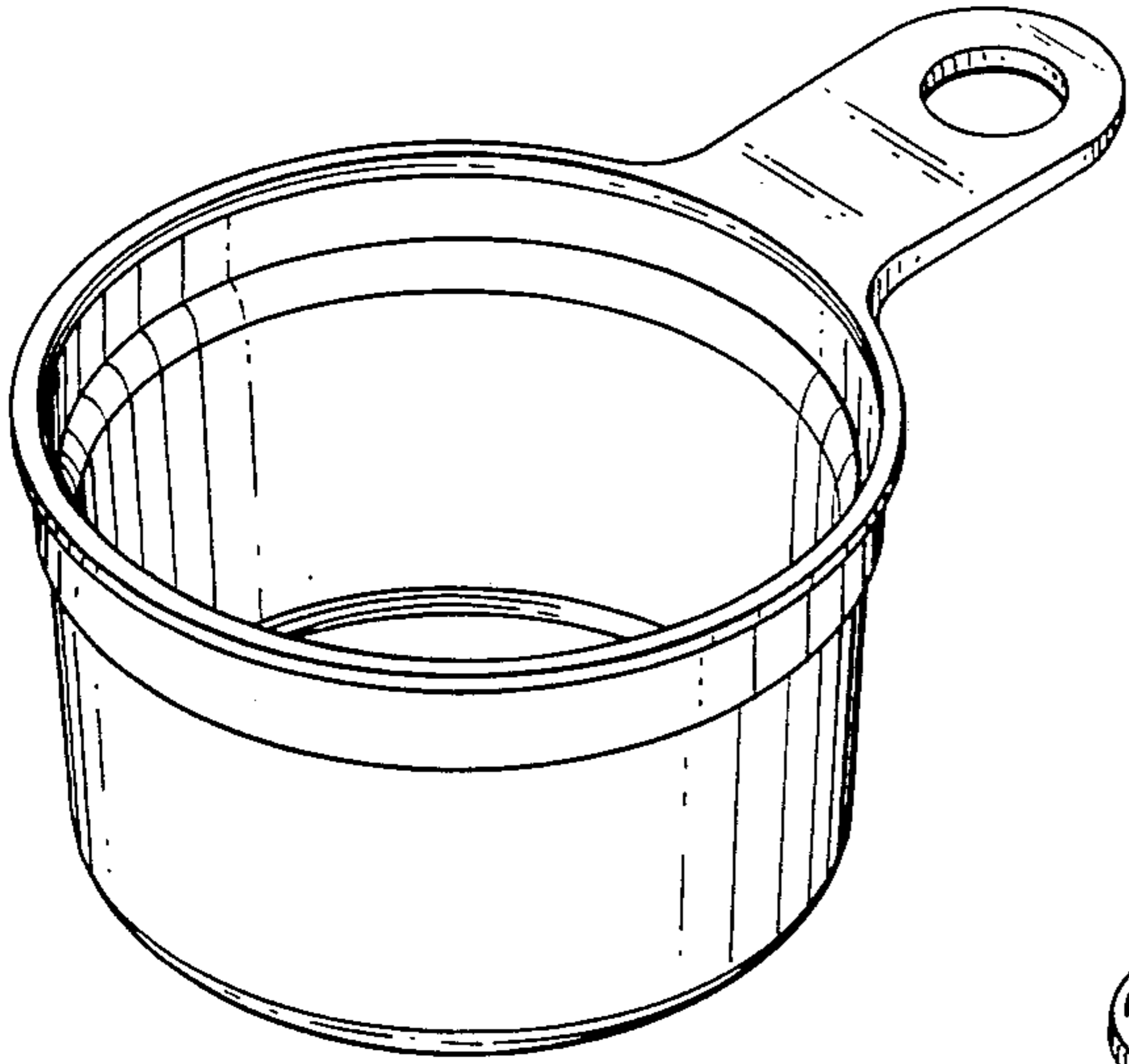


FIG. 1

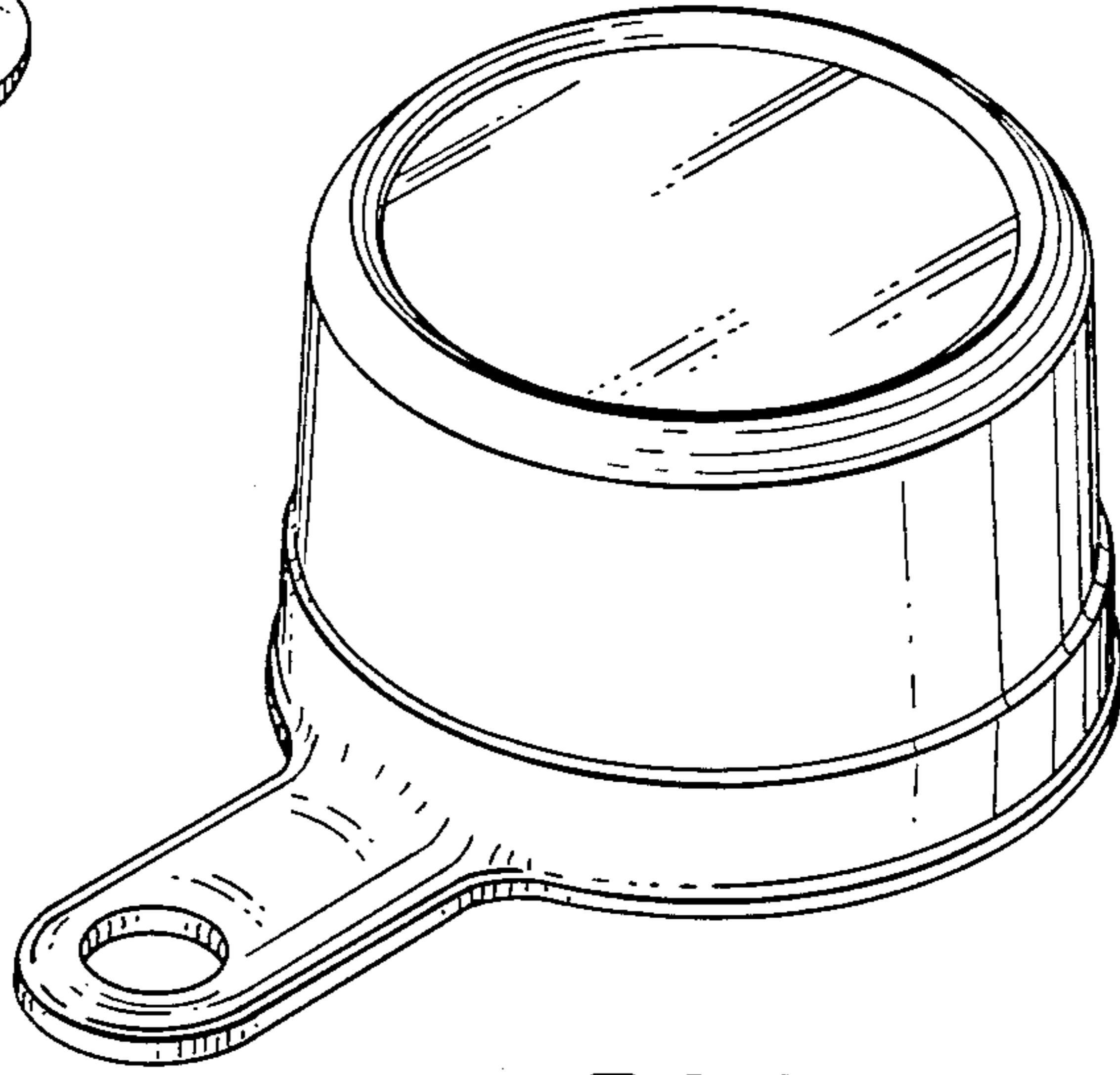


FIG. 2

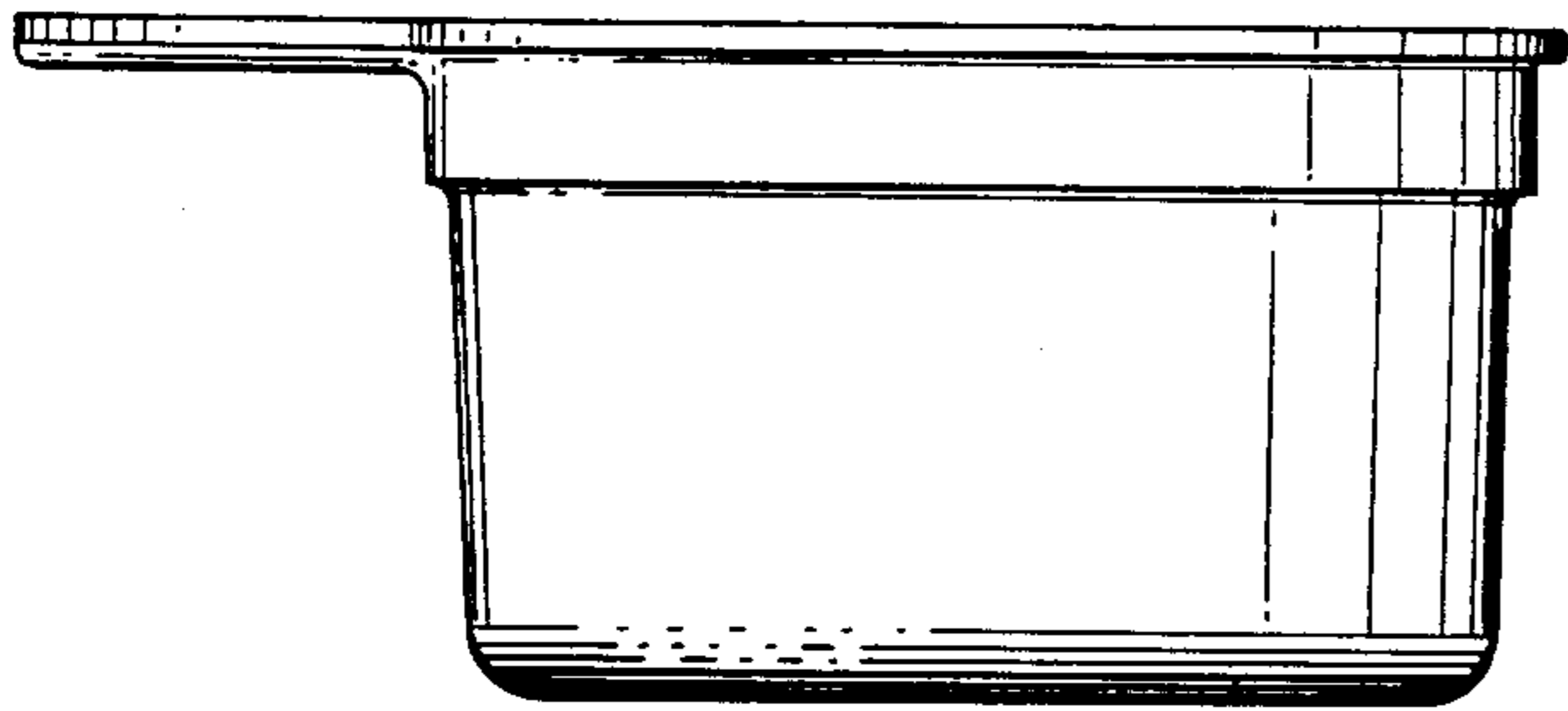


FIG. 3

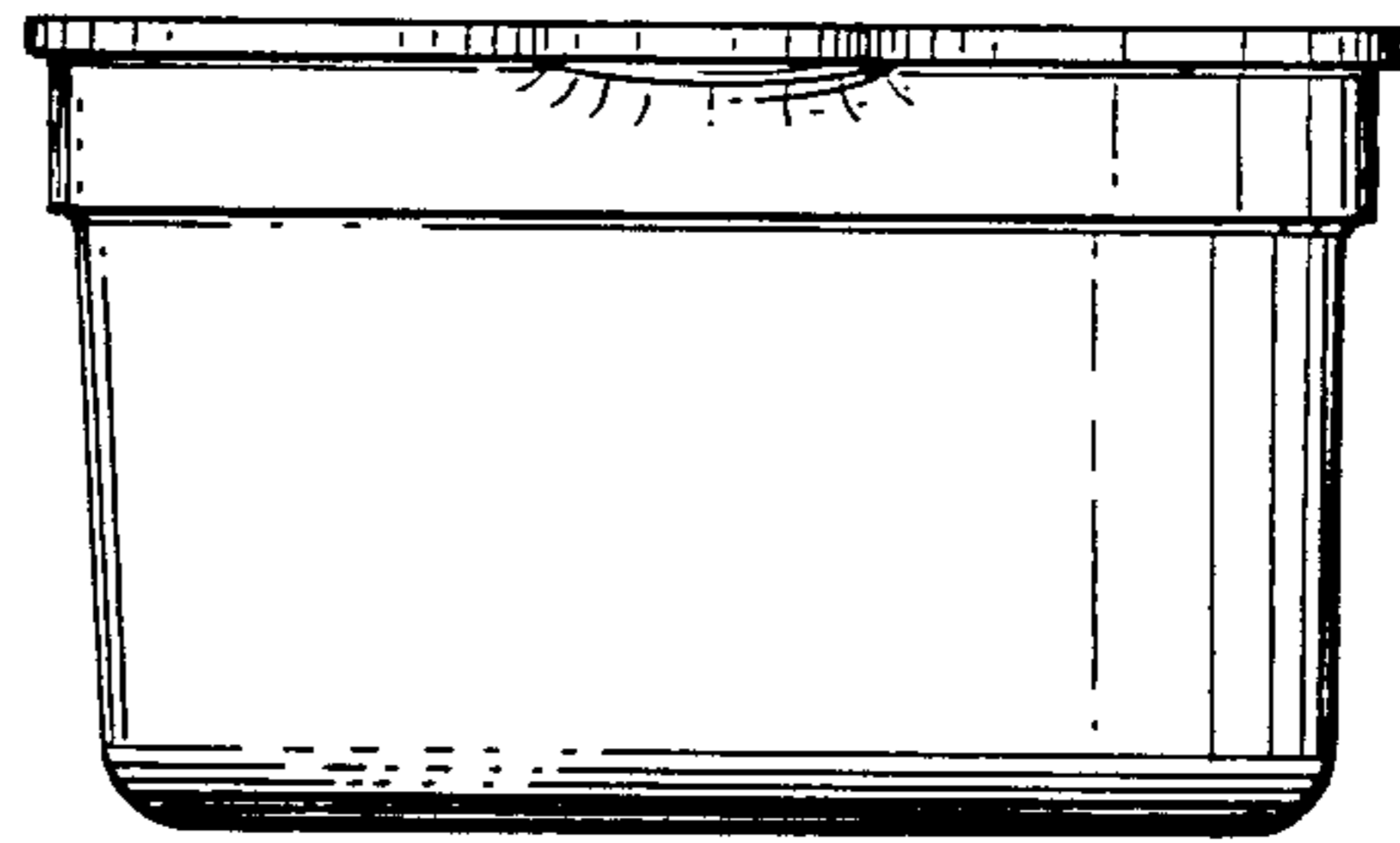


FIG. 4

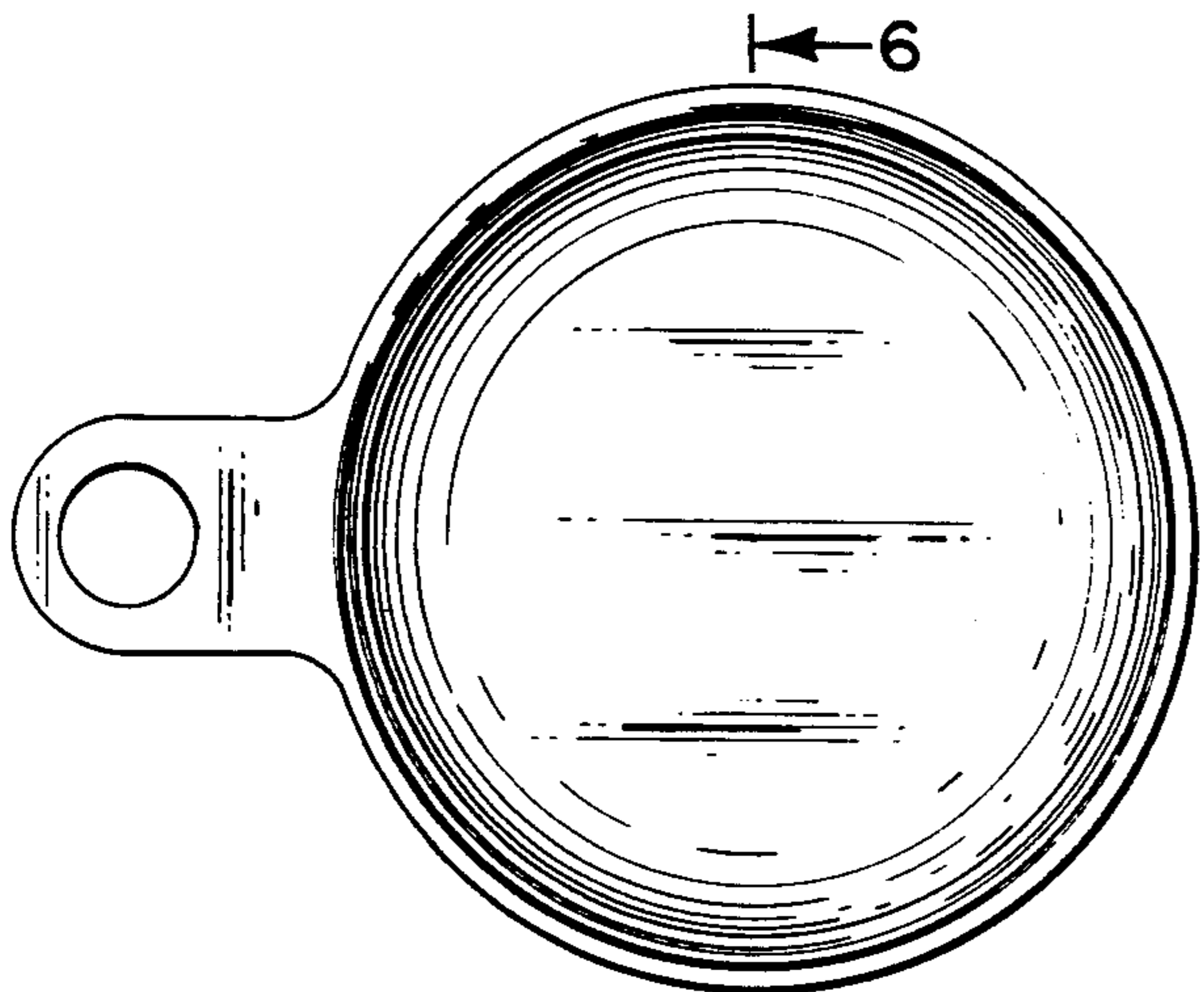


FIG. 5

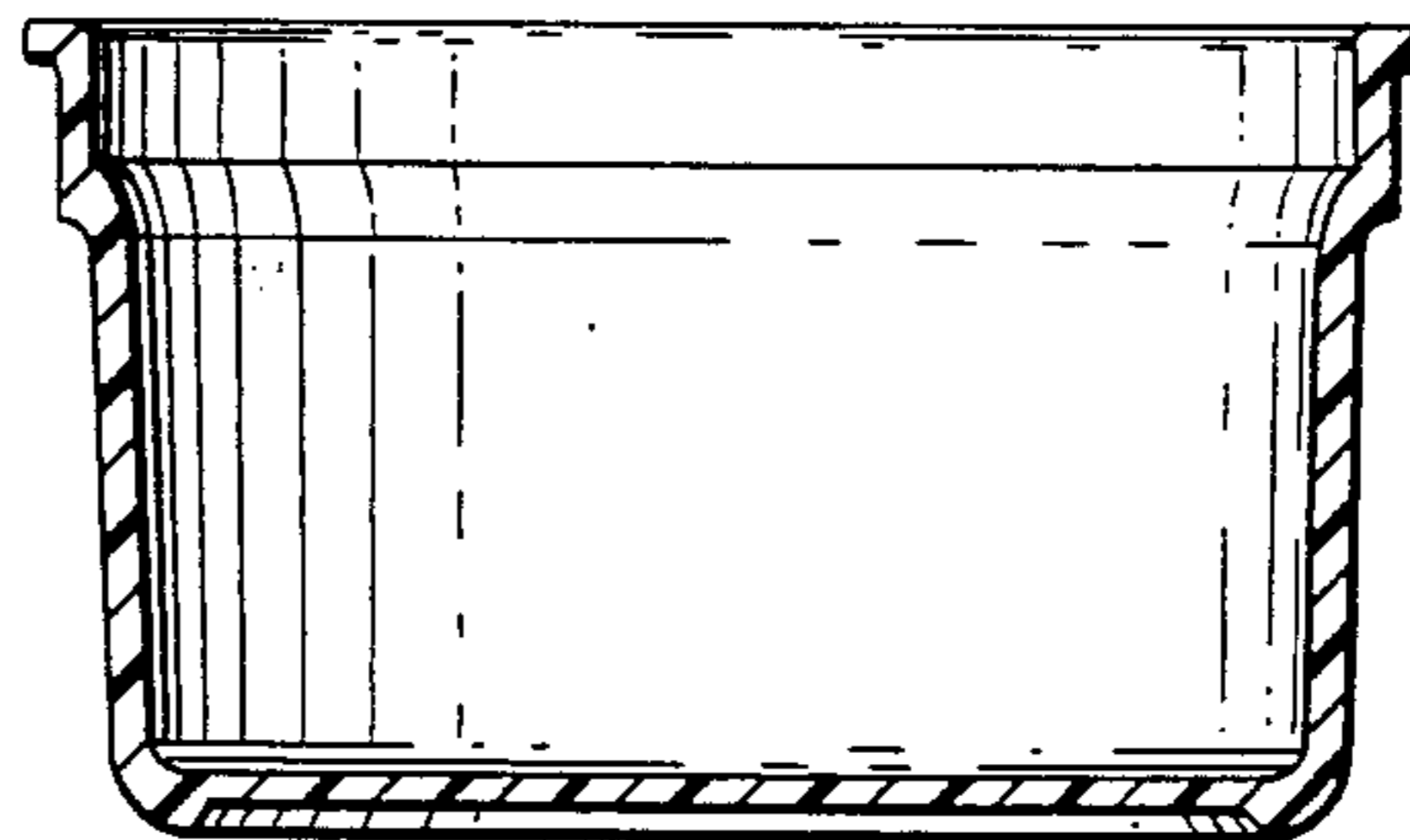


FIG. 6