

[54] MEASURING CUP OR THE LIKE

[75] Inventors: Robert H. C. M. Daenen, Hekelgem; Pieter K. J. de Coster, Aalst, both of Belgium

[73] Assignee: Dart Industries Inc., Los Angeles, Calif.

[\*\*] Term: 14 Years

[21] Appl. No.: 890,351

[22] Filed: Mar. 27, 1978

[51] Int. Cl. .... D7-04

[52] U.S. Cl. .... D7/50

[58] Field of Search ..... D7/50, 59, 60, 81, 41, D7/9, 6; 73/426, 427, 429

[56] References Cited

U.S. PATENT DOCUMENTS

D. 91,251 12/1933 Rettich ..... D7/50  
D. 127,543 5/1941 Strand ..... D7/50

D. 250,565 12/1978 Stowell ..... D7/9  
2,230,479 2/1941 Becher ..... 73/429

OTHER PUBLICATIONS

Lustroware, Catalog #605, Columbus Plastic Products, Inc., Columbus, Ohio, p. 12, Items LS15 & LS16.

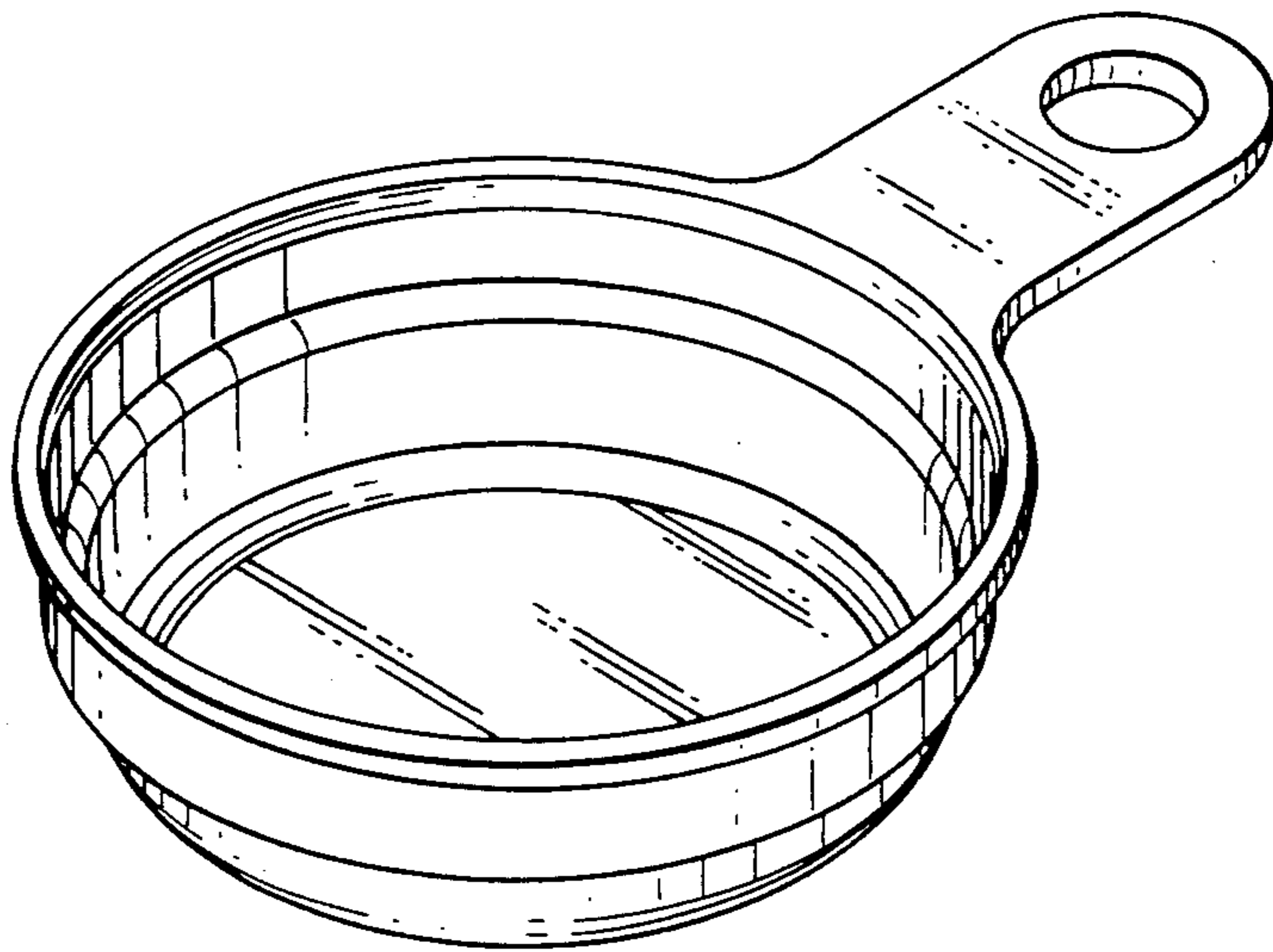
Primary Examiner—Donald B. Moyer  
Attorney, Agent, or Firm—Leigh B. Taylor

[57] CLAIM

The ornamental design for a measuring cup or the like, substantially as is shown and described.

DESCRIPTION

FIG. 1 is a top perspective view of a measuring cup or the like showing our new design;  
FIG. 2 is a bottom perspective view thereof;  
FIG. 3 is a top plan view thereof;  
FIG. 4 is a side elevational view thereof;  
FIG. 5 is a rear elevational view thereof; and  
FIG. 6 is a cross-sectional view thereof taken along line 6-6 of FIG. 3.



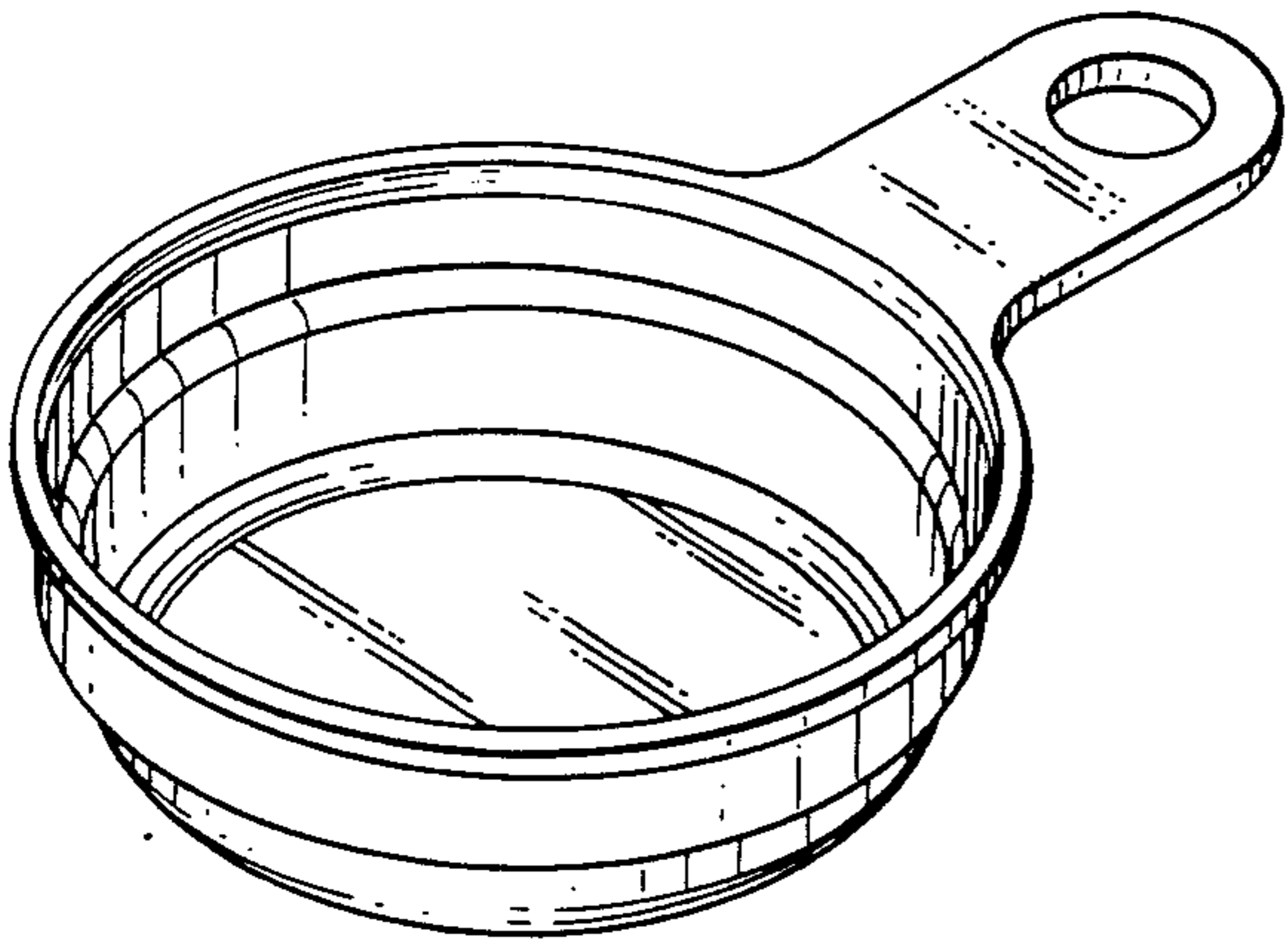


FIG. 1

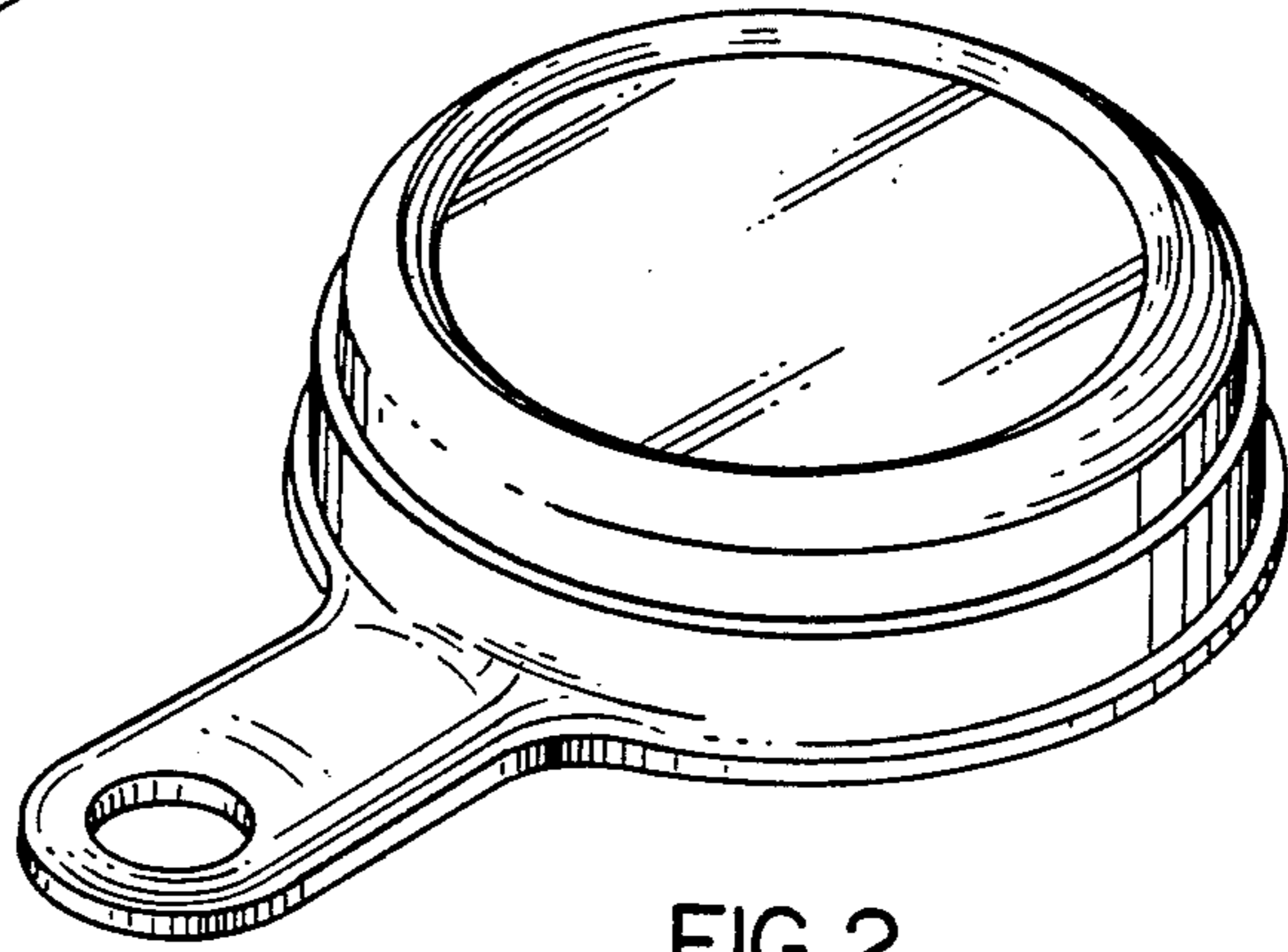


FIG. 2

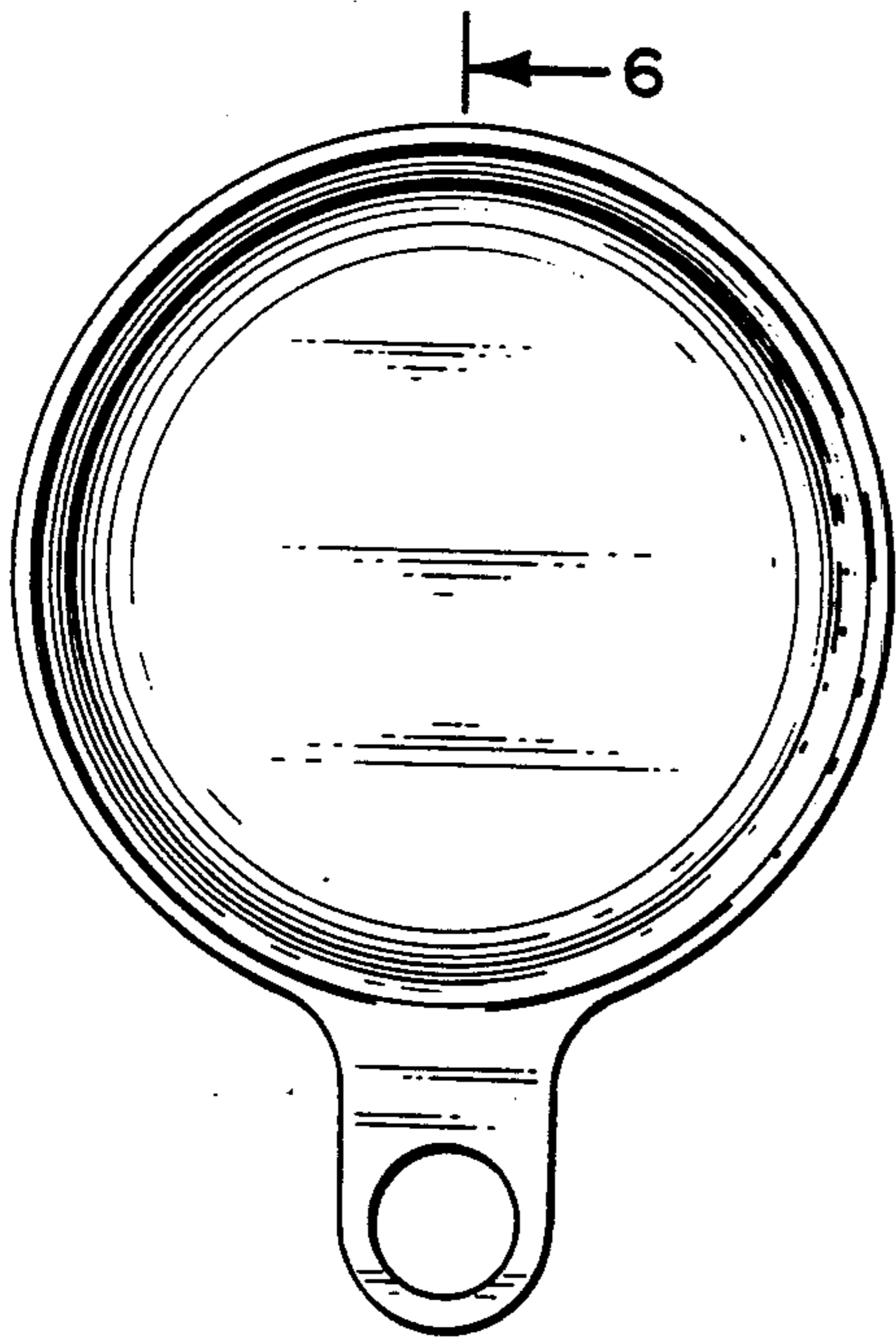


FIG. 3

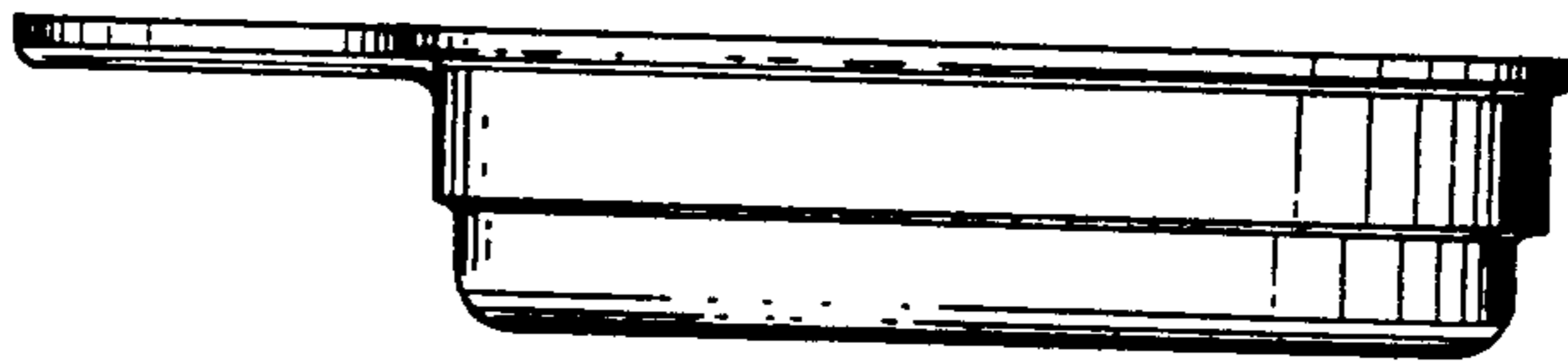


FIG. 4

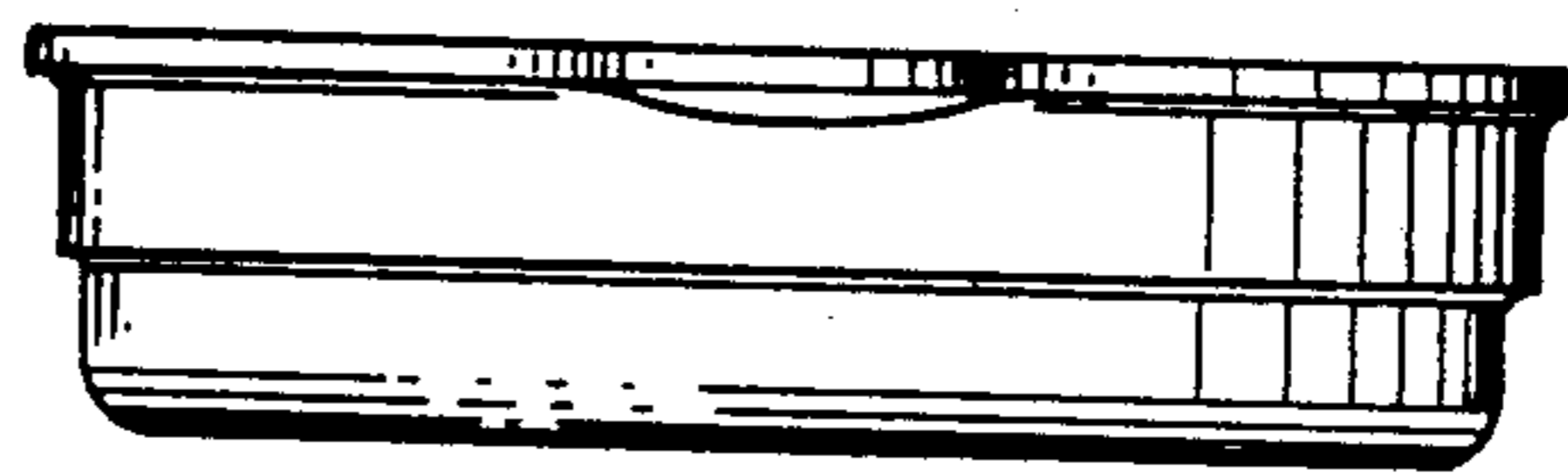


FIG. 5

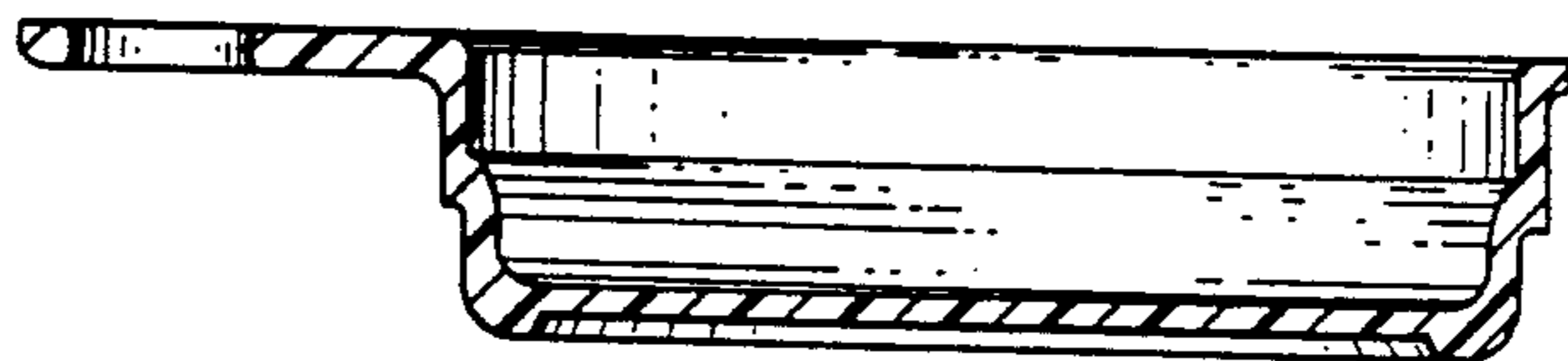


FIG. 6