

[54] MEASURING CUP SET OR THE LIKE

[75] Inventors: Robert H. C. M. Daenen, Hekelgem; Pieter K. J. de Coster, Aalst, both of Belgium

[73] Assignee: Dart Industries Inc., Los Angeles, Calif.

[**] Term: 14 Years

[21] Appl. No.: 890,348

[22] Filed: Mar. 27, 1978

[51] Int. Cl. D7-04

[52] U.S. Cl. D7/50; D7/59; D7/65

[58] Field of Search D7/50, 59, 60, 63, 64, D7/65, 81, 41, 131, 9, 6; 73/426, 427, 429; 222/553, 548, 143, 465, 466, 467, 499, 501; 220/23.83

[56] References Cited

U.S. PATENT DOCUMENTS

D. 101,166	9/1936	Forsberg	D9/254
D. 215,331	9/1969	Swett et al.	D7/50
D. 220,773	5/1971	Dilyard	D7/65
D. 237,770	11/1975	Daenen	D7/59
D. 239,907	5/1976	Olsson	D7/50
D. 252,068	6/1979	Lovely	D7/50
3,326,363	6/1967	Bennett et al.	D9/267 X
3,844,450	10/1974	Johnson	D7/65

FOREIGN PATENT DOCUMENTS

789277 10/1935 France 73/426

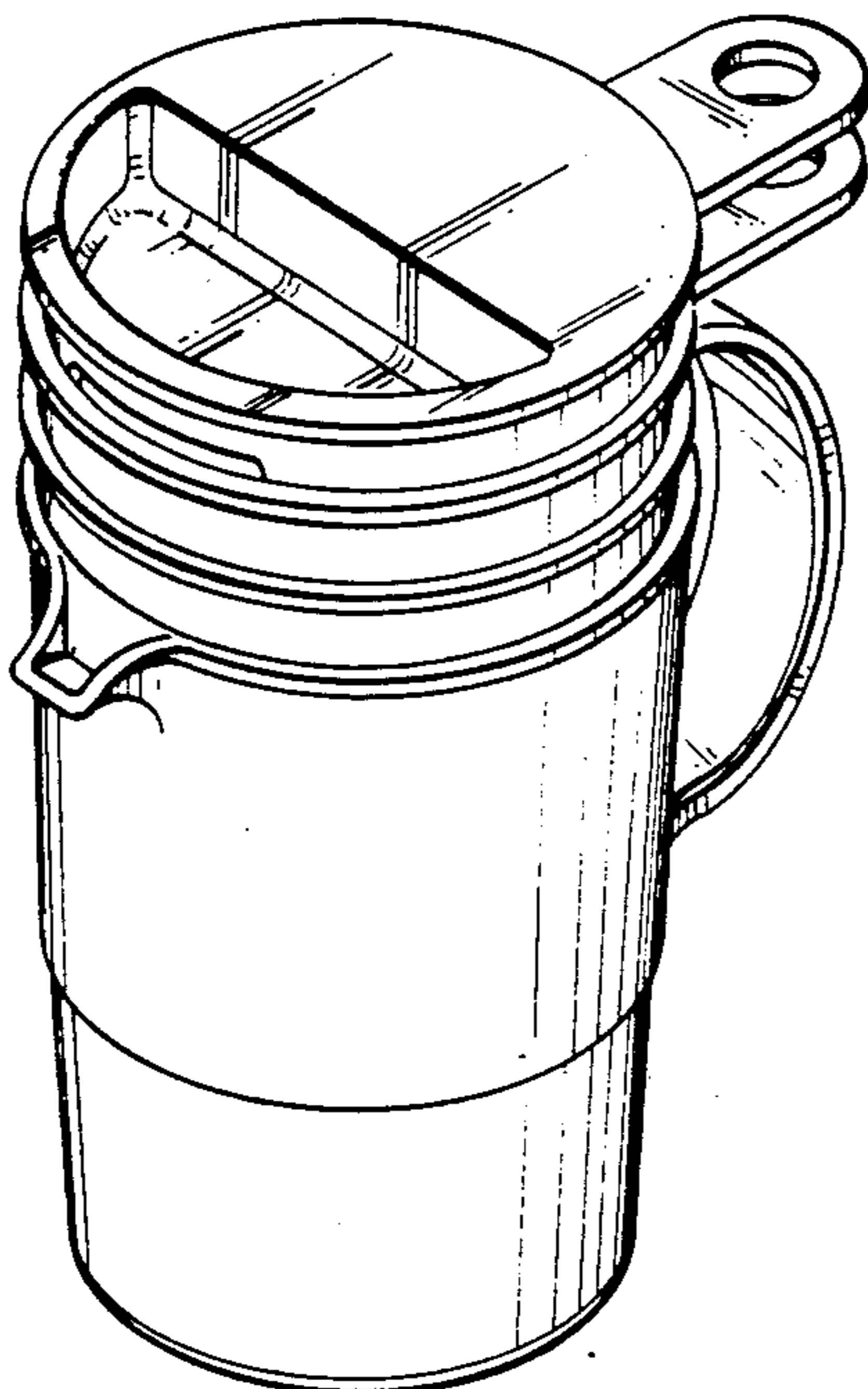
Primary Examiner—Donald B. Moyer
Attorney, Agent, or Firm—Leigh B. Taylor

[57] CLAIM

The ornamental design for a measuring cup set or the like, substantially as is shown and described.

DESCRIPTION

FIG. 1 is an assembled top perspective view of a measuring cup set or the like showing our new design; FIG. 2 is a side elevational view thereof; FIG. 3 is a top perspective exploded view thereof; FIG. 4 is an assembled bottom perspective view thereof; FIG. 5 is a bottom perspective exploded view thereof; FIG. 6 is an assembled rear elevational and partial cross-section view thereof taken along line 6-6 of FIG. 7; FIG. 7 is an assembled top plan view thereof; FIG. 8 is a bottom plan view taken along line 8-8 of FIG. 9; FIG. 9 is an exploded front elevational view thereof; FIG. 10 is a top plan view taken along line 10-10 of FIG. 9; FIG. 11 is a bottom plan view taken along line 11-11 of FIG. 9; FIG. 12 is a top plan view taken along line 12-12 of FIG. 9; and FIG. 13 is a bottom plan view taken along line 13-13 of FIG. 9.



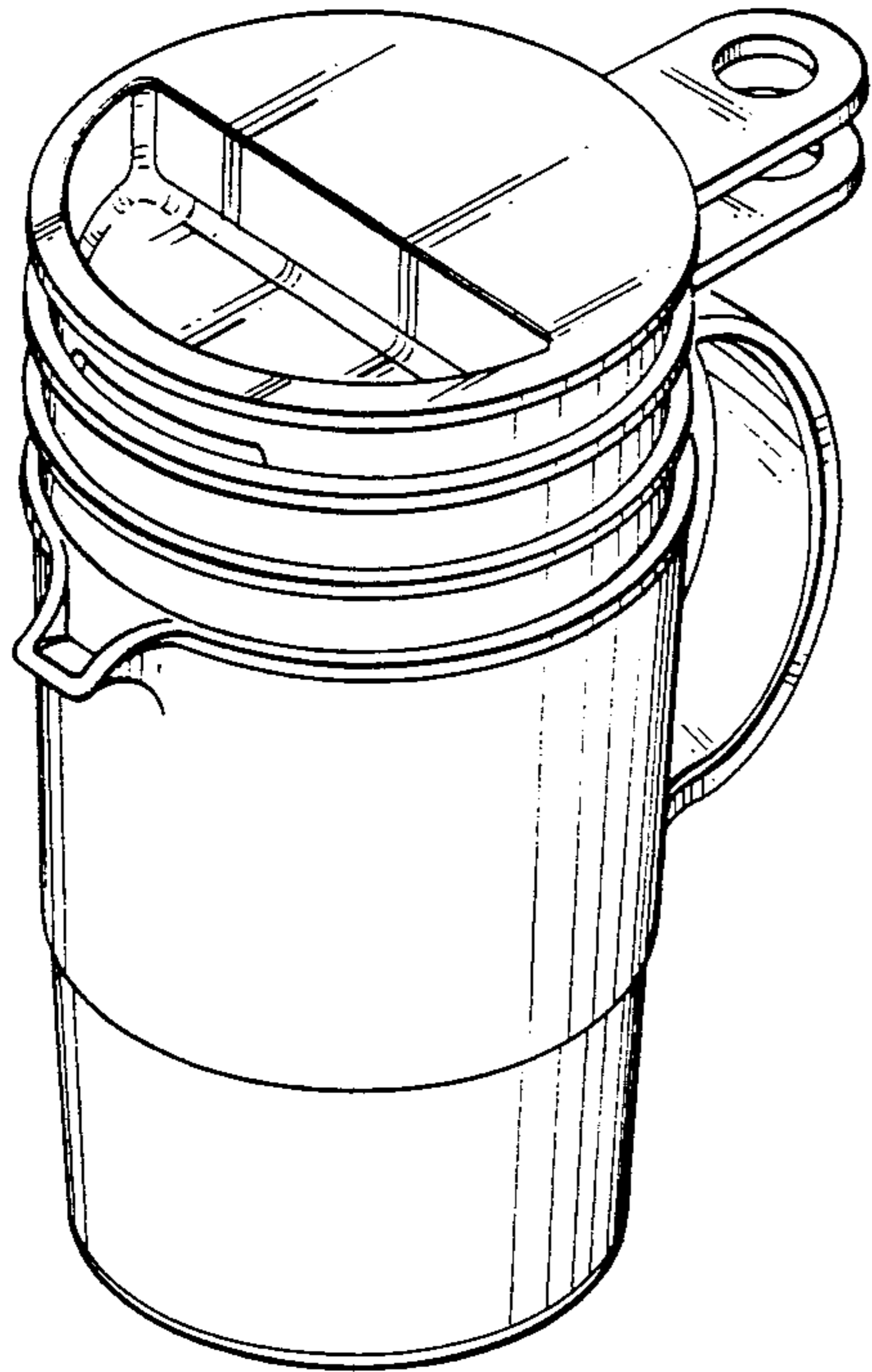


FIG. 1

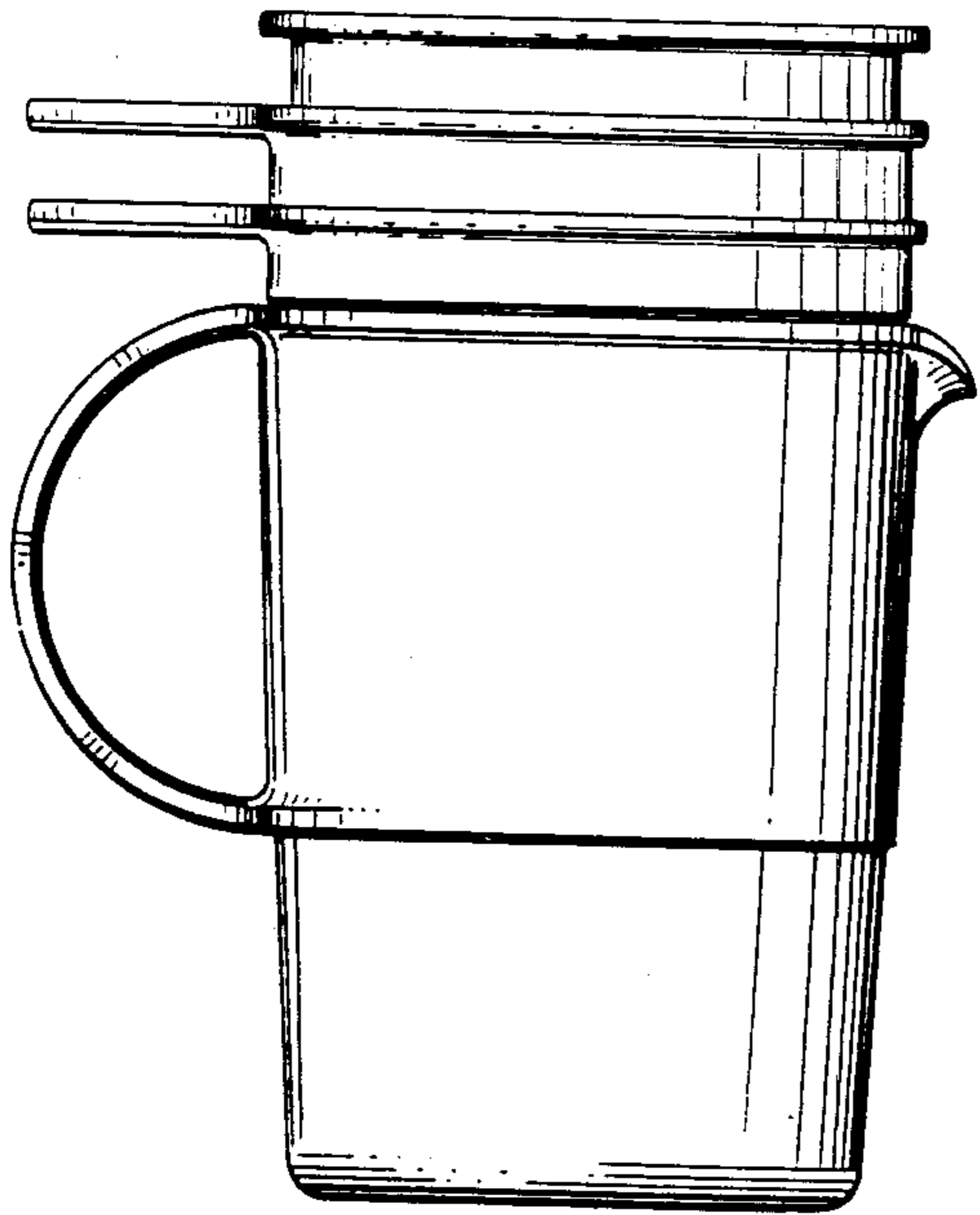


FIG. 2

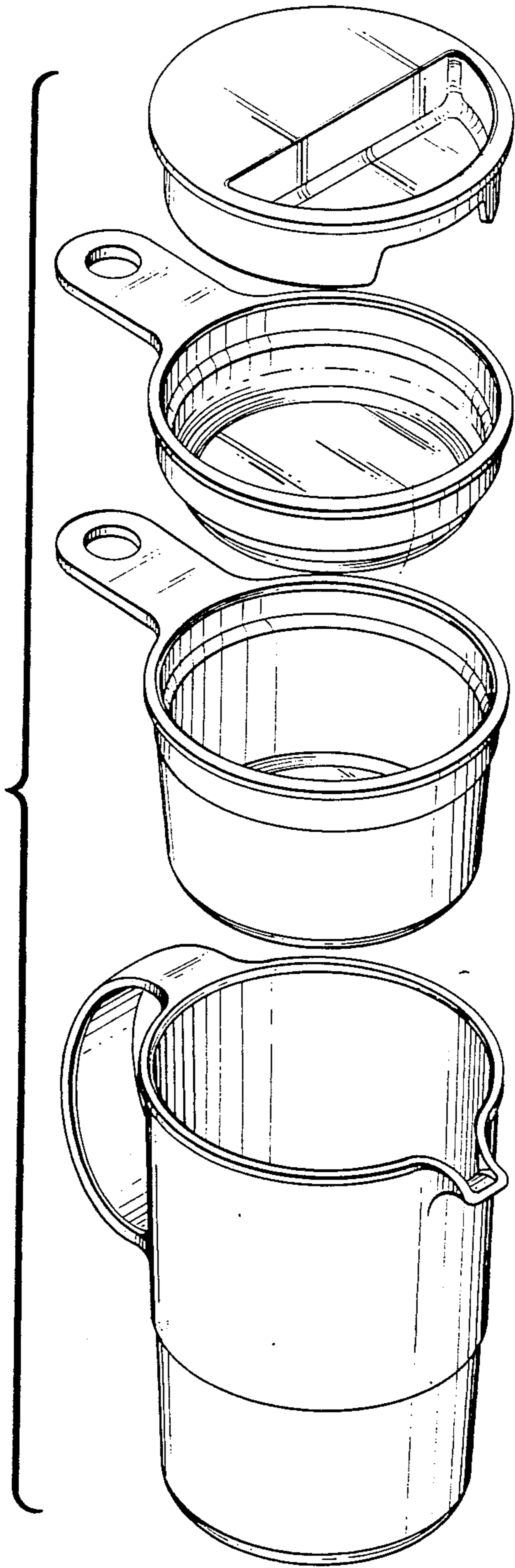


FIG. 3

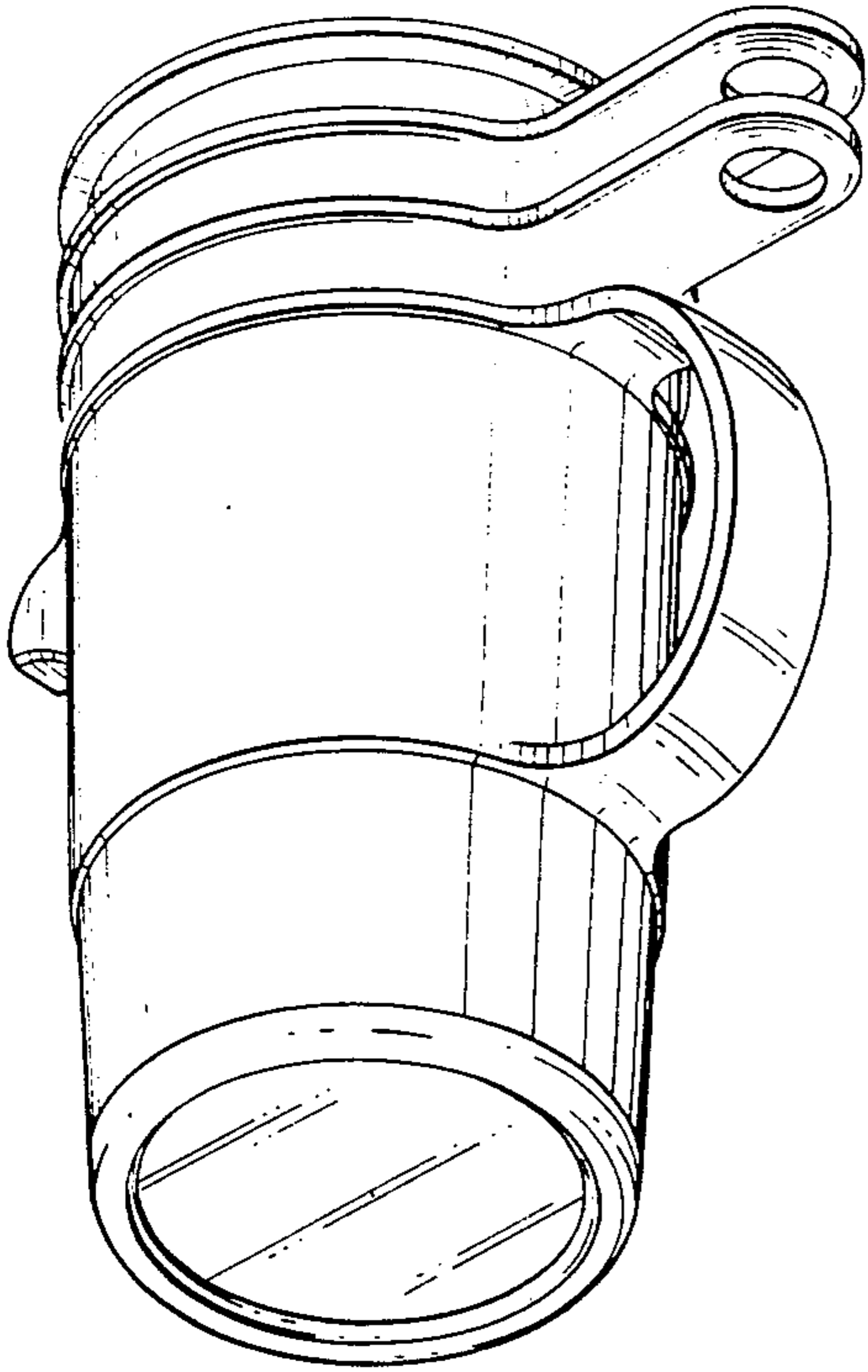


FIG. 4

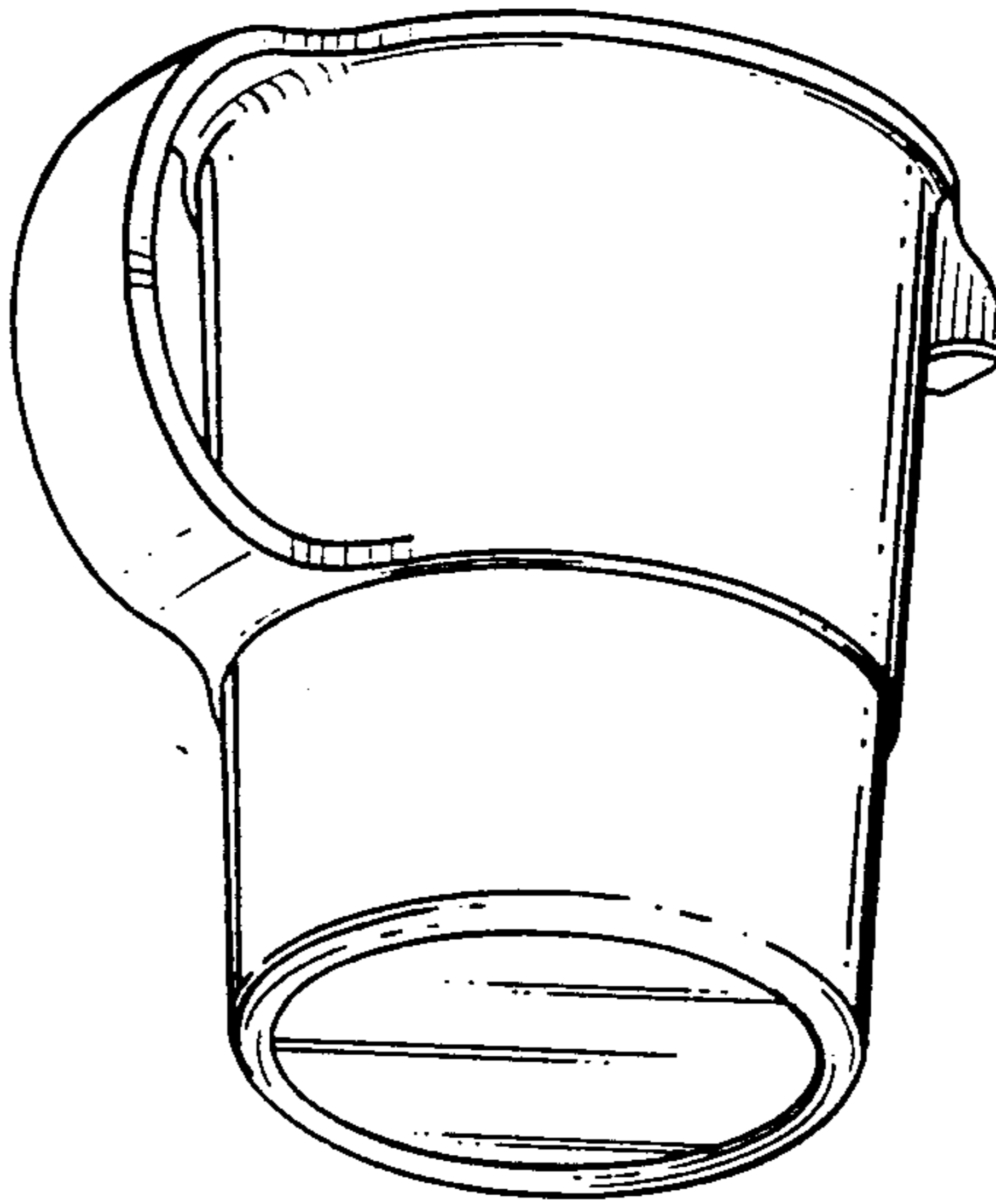
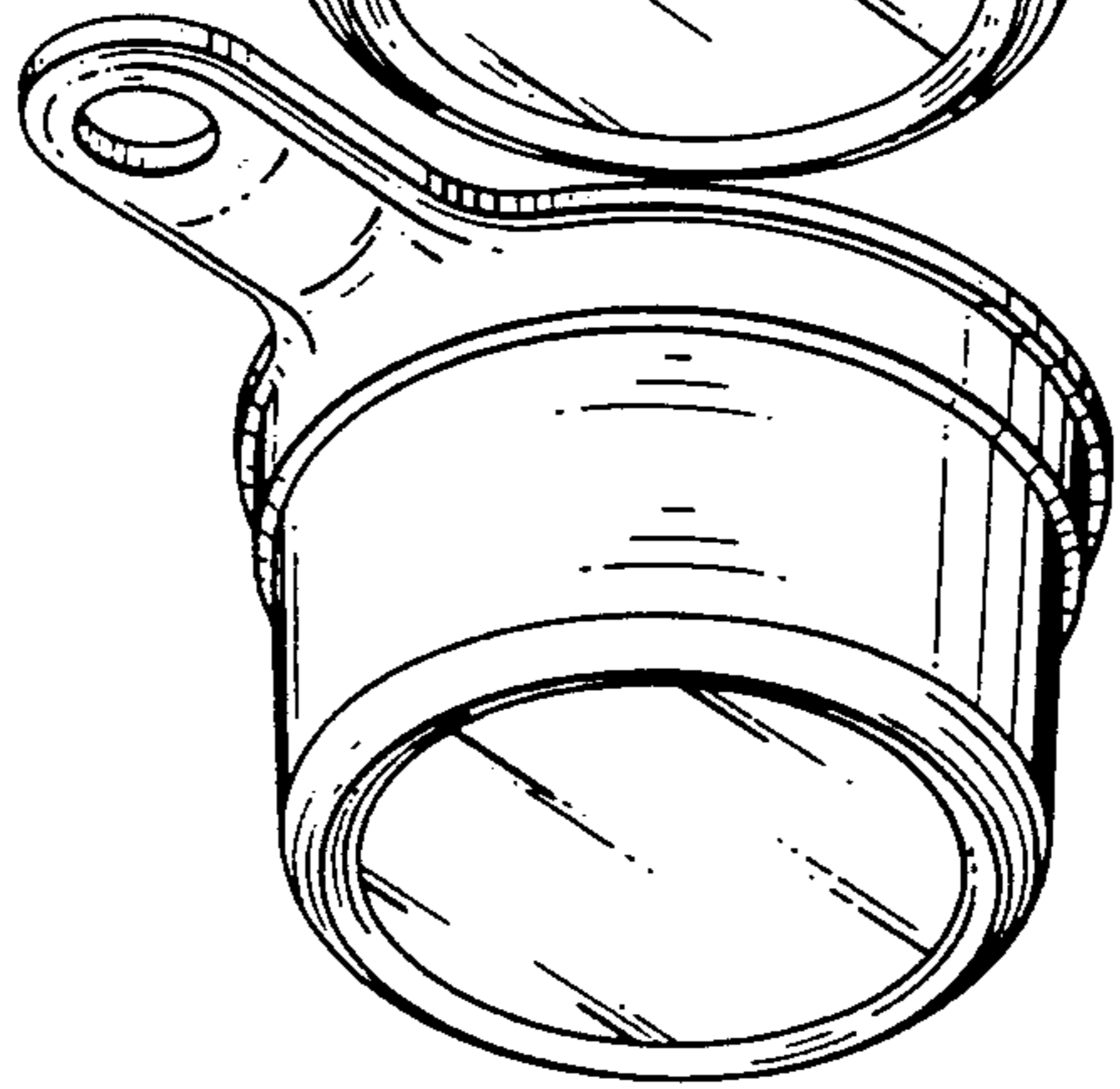
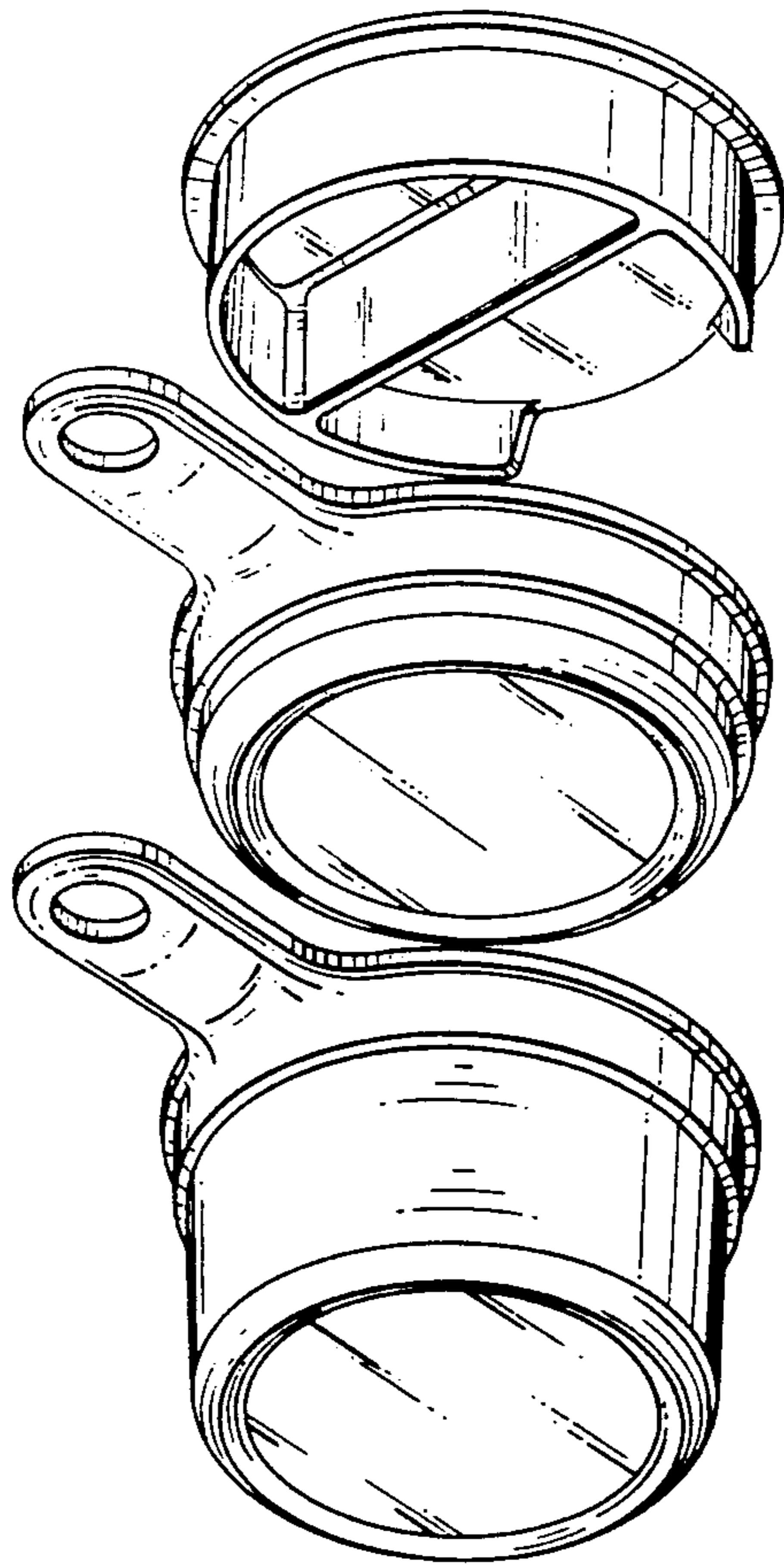


FIG. 5

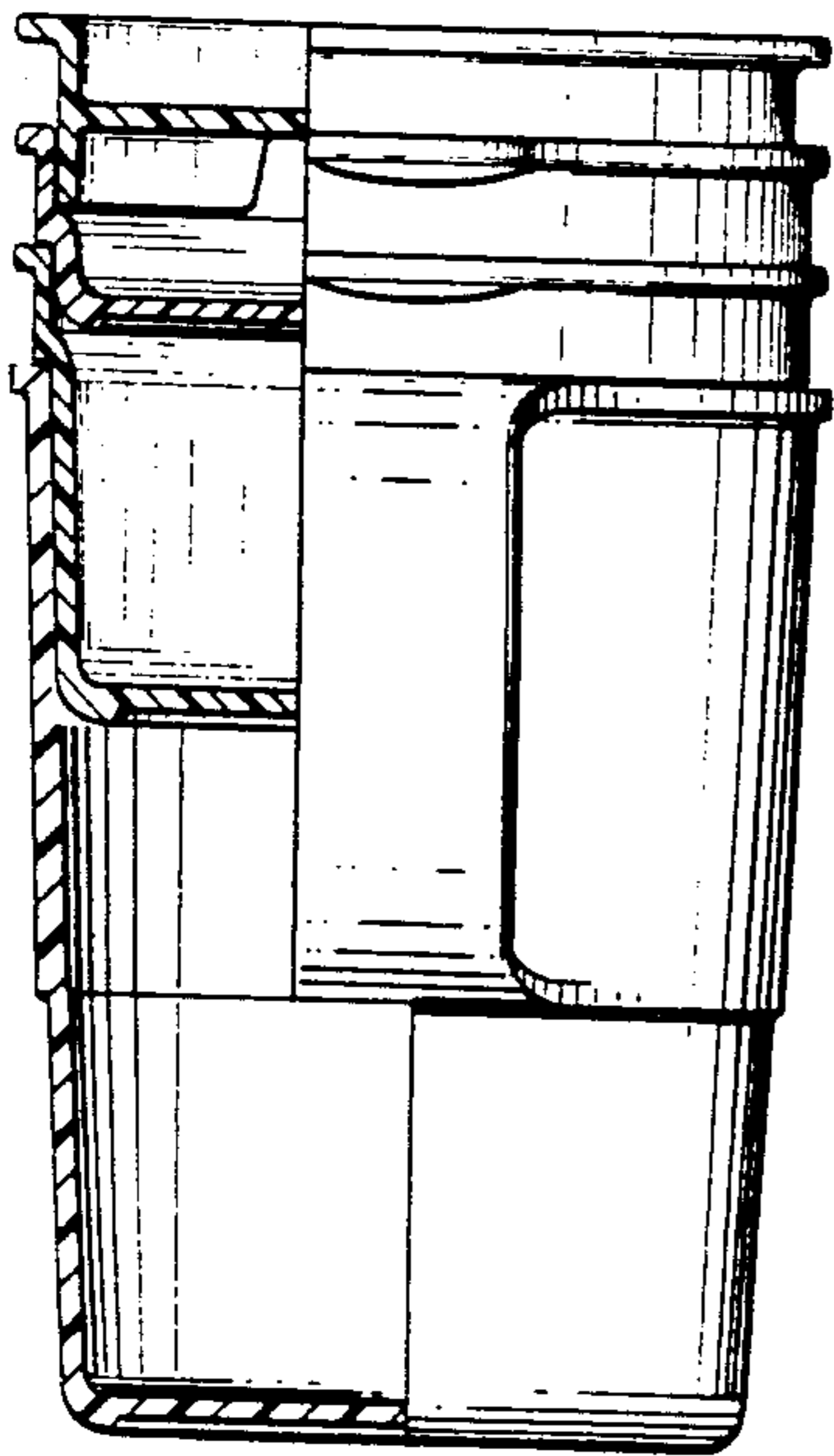


FIG. 6

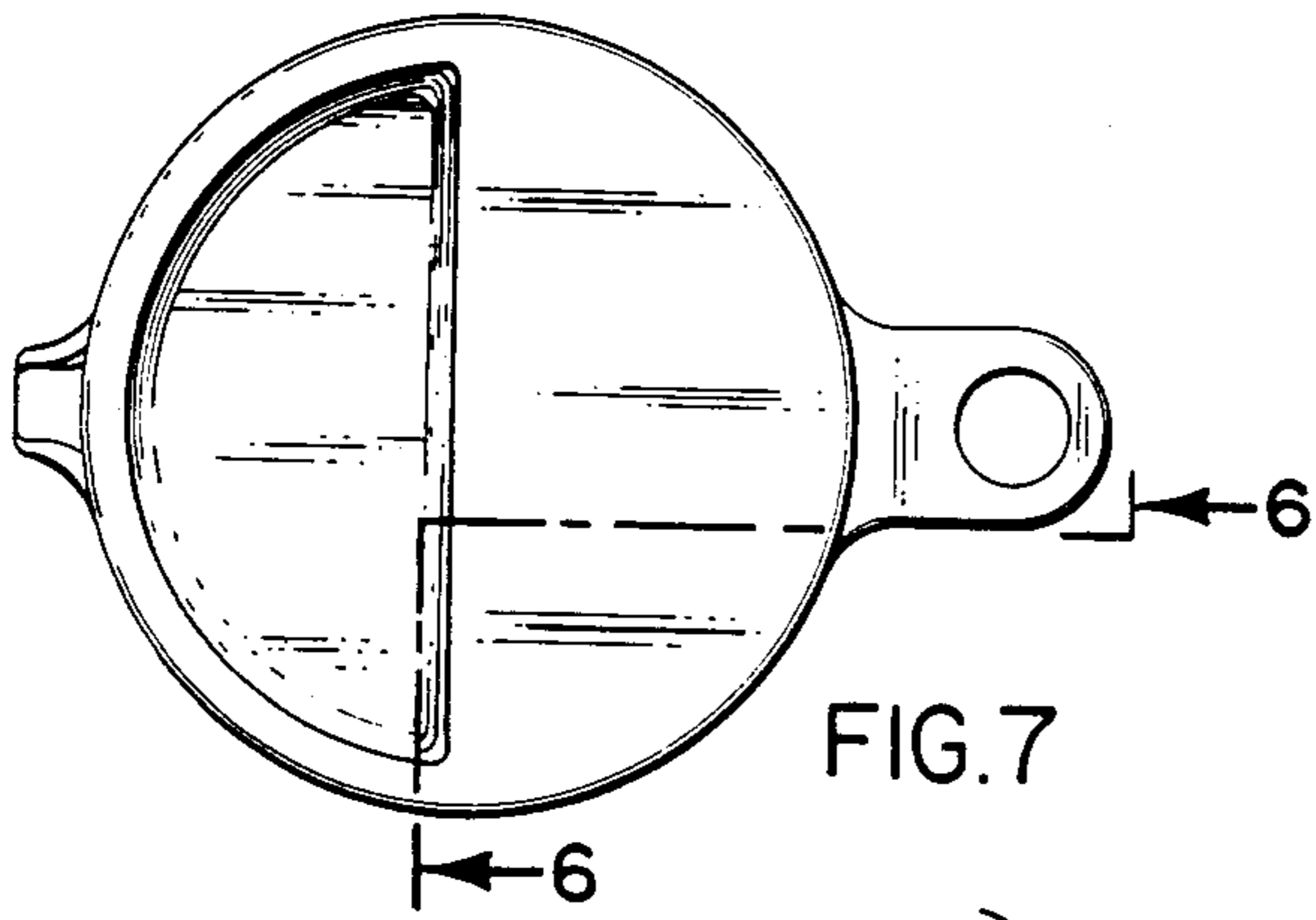


FIG. 7

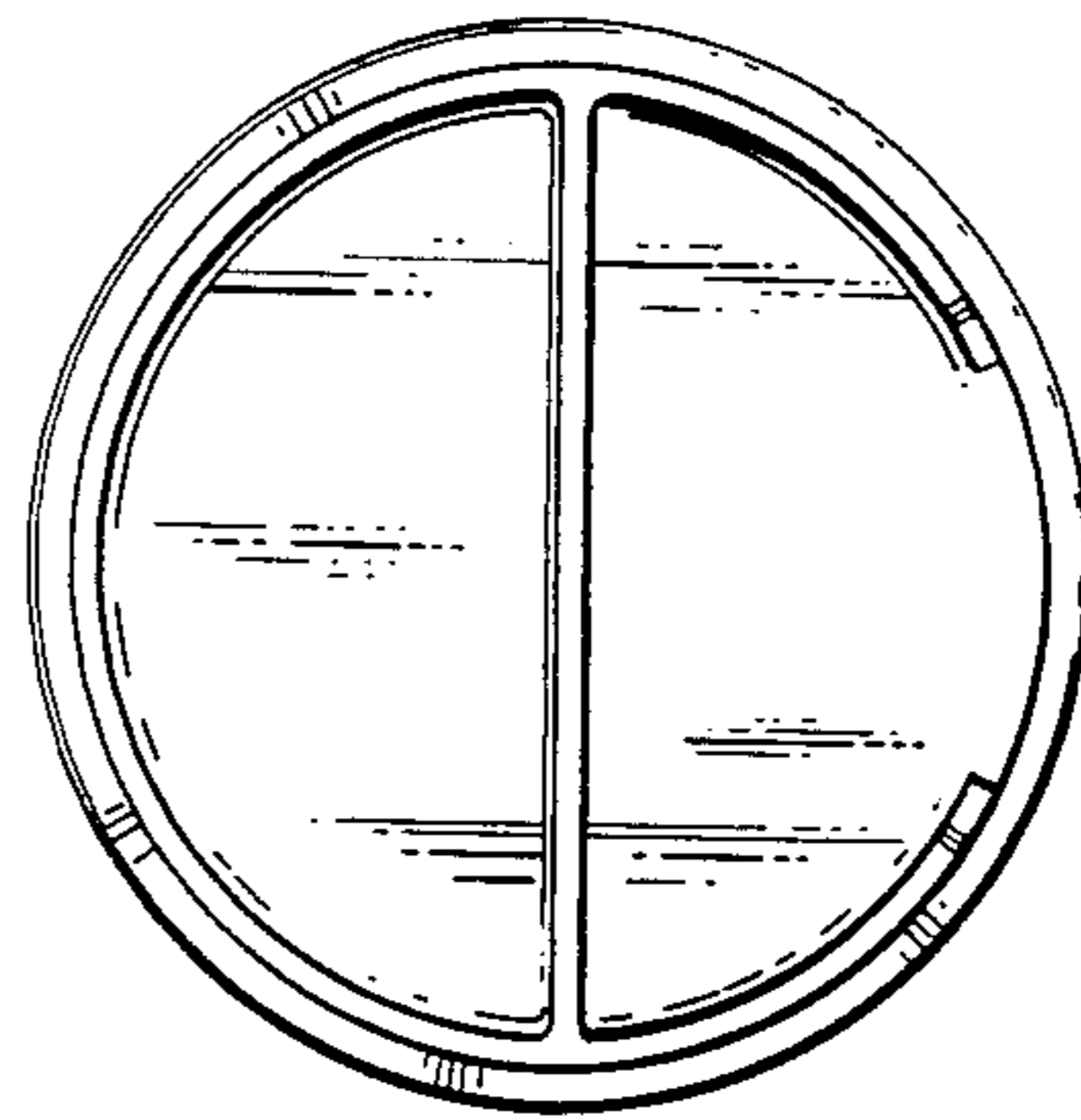


FIG. 8

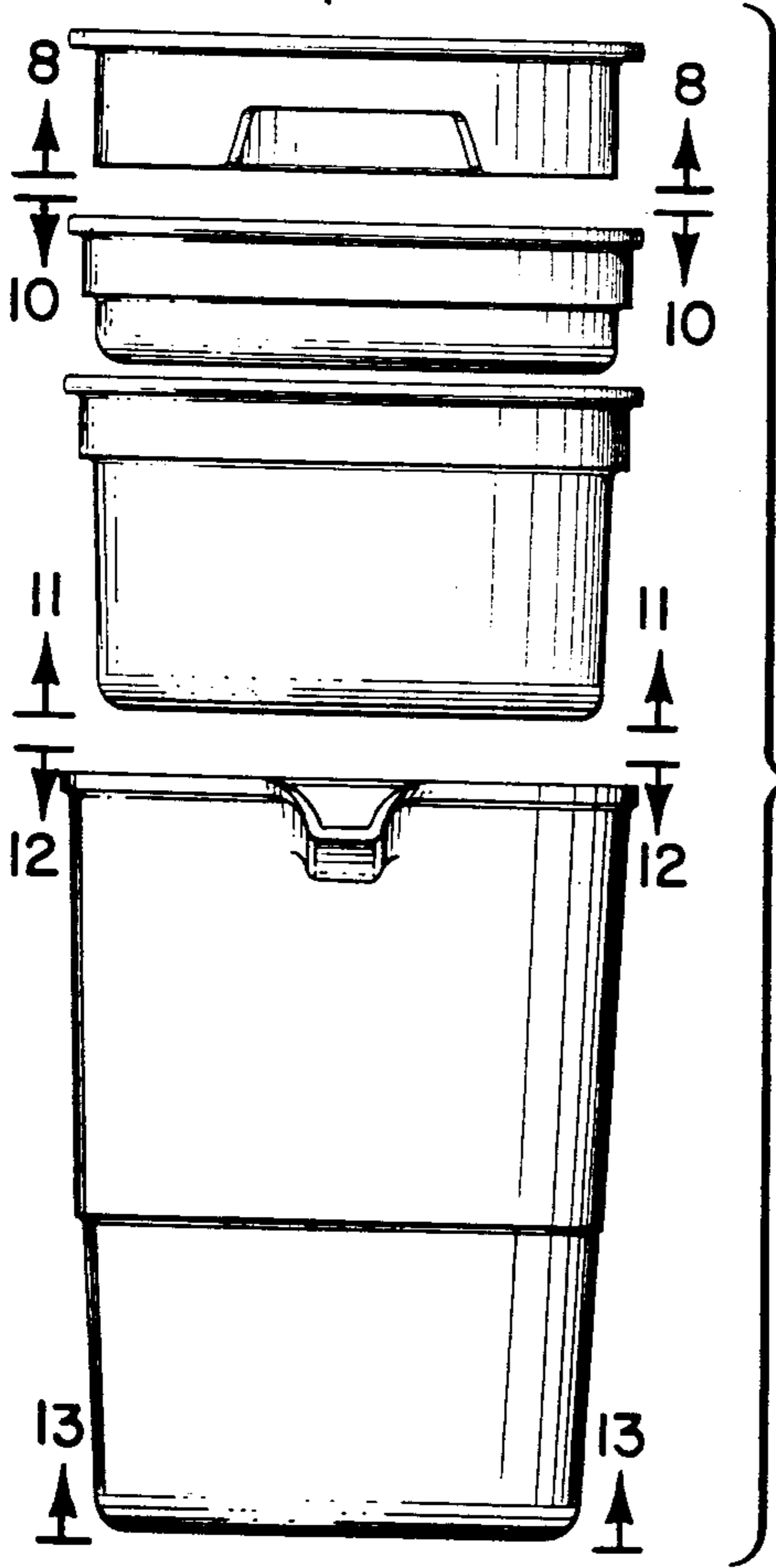


FIG. 9

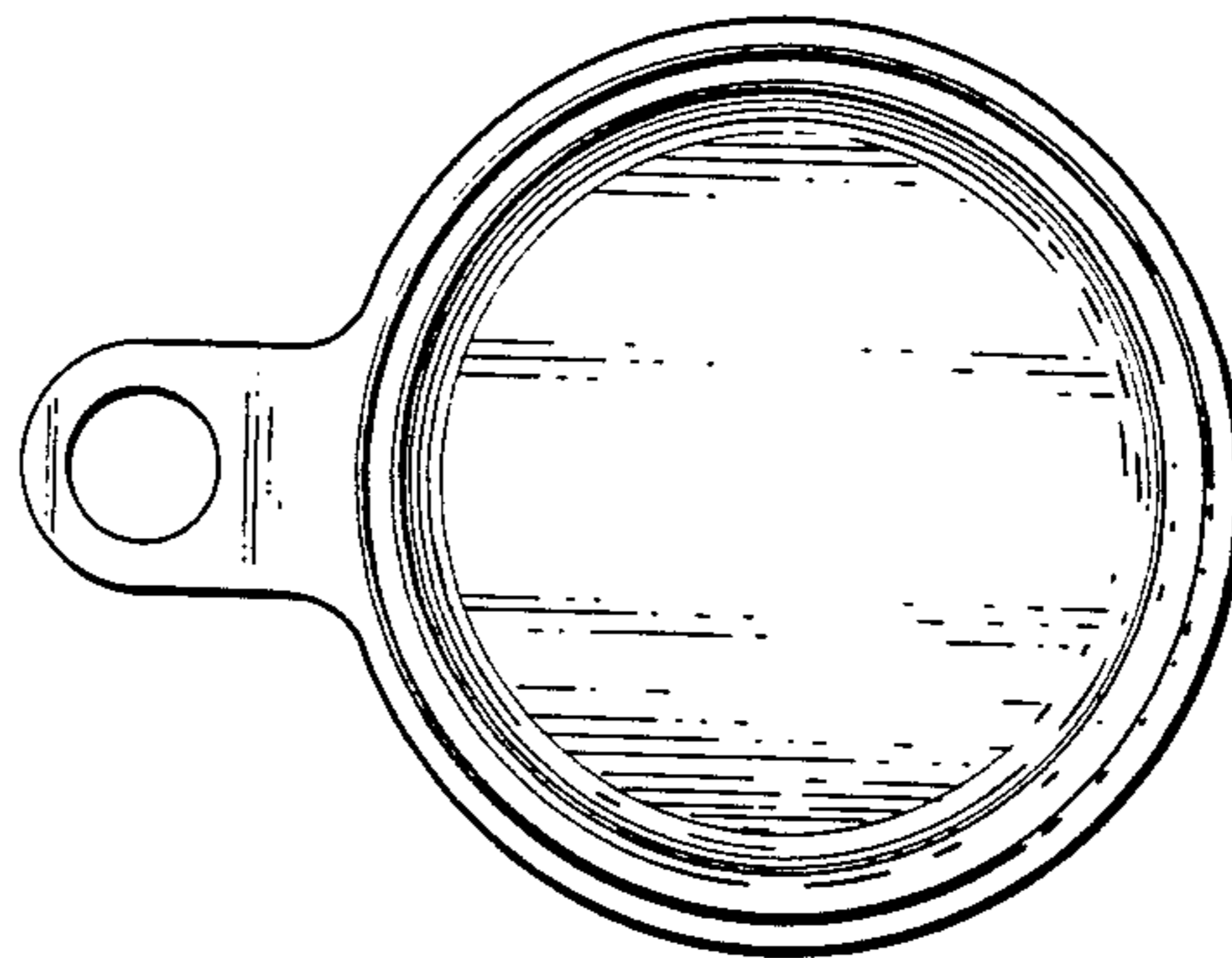


FIG. 10

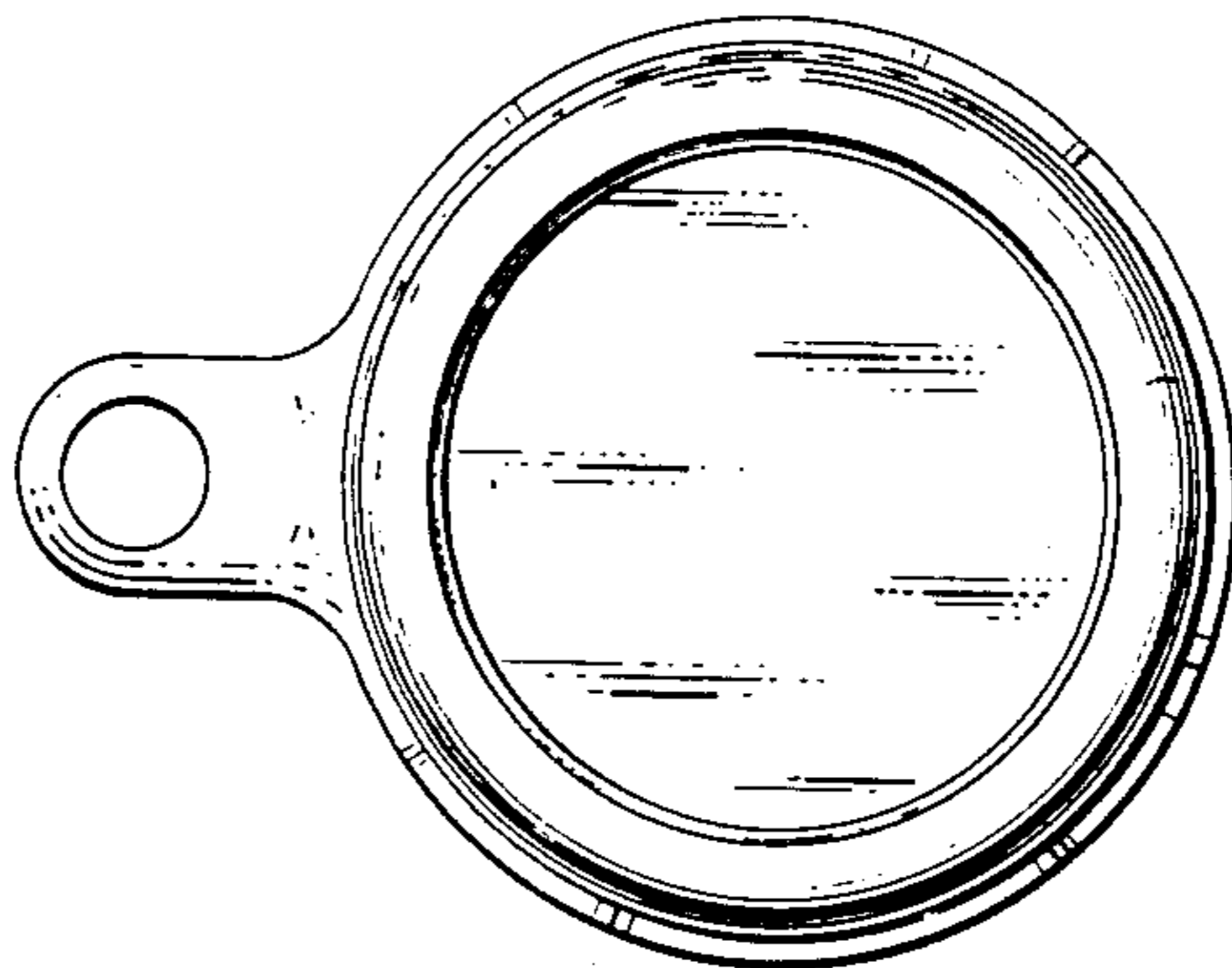


FIG. 11

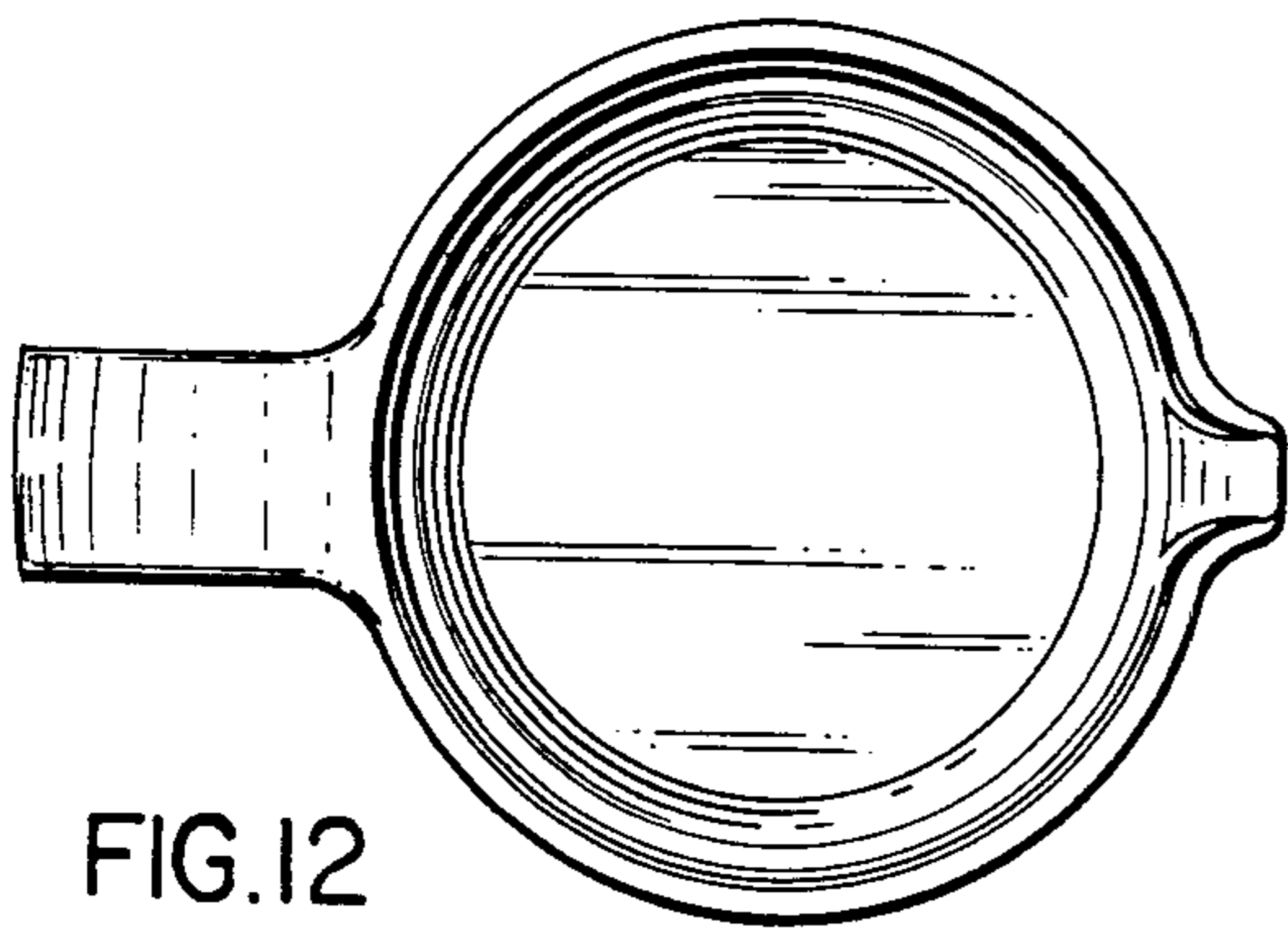


FIG. 12

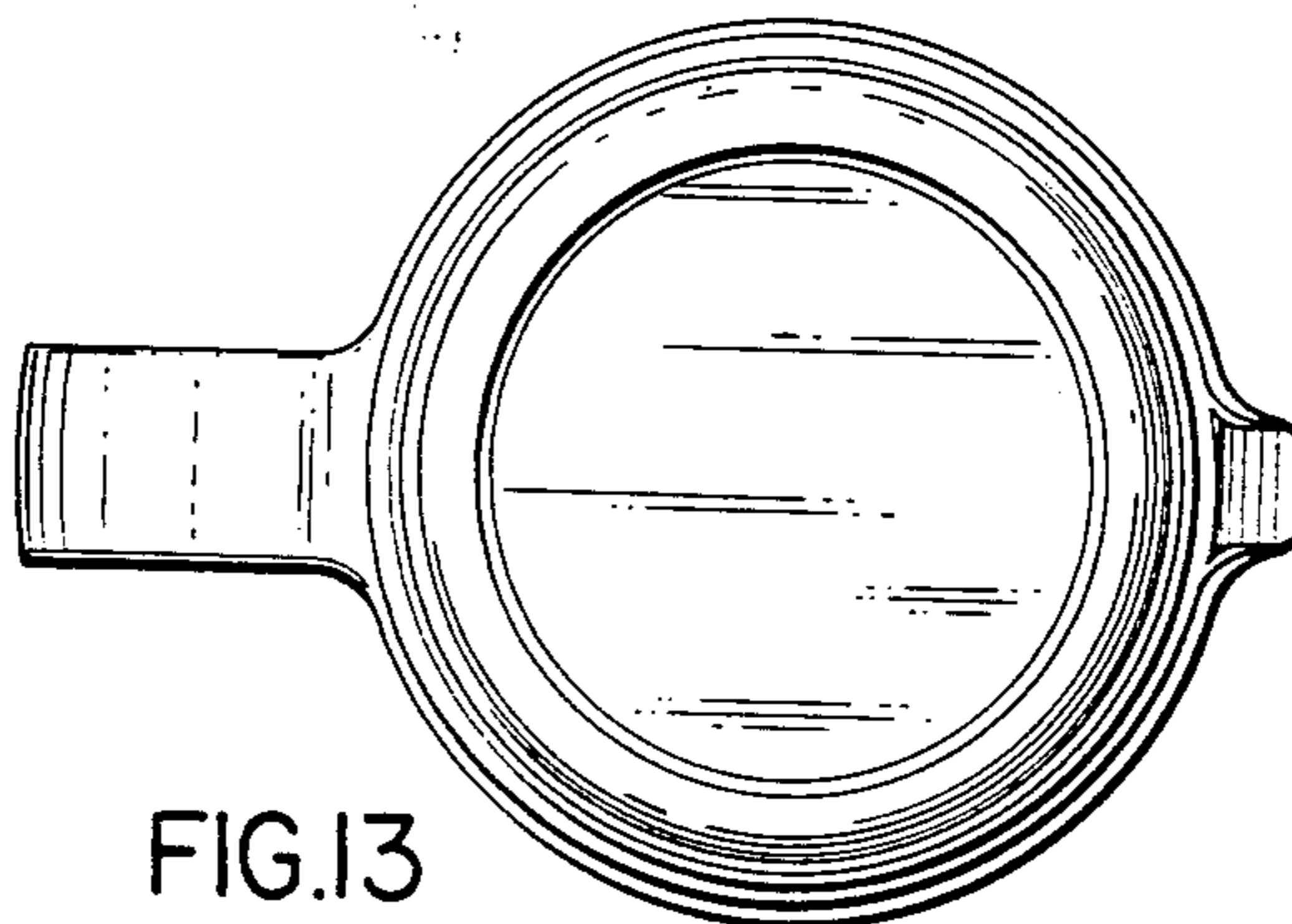


FIG. 13