

[54] CASSEROLE DISH OR SIMILAR ARTICLE

[75] Inventors: George B. Jensen, deceased, late of Syracuse, N.Y.; Stanley F. Campion, executor, Fayetteville, N.Y.

[73] Assignee: Syracuse China Corporation, Syracuse, N.Y.

[\*\*] Term: 14 Years

[21] Appl. No.: 38,244

[22] Filed: May 11, 1979

[51] Int. Cl. .... D07-01; D07-02

[52] U.S. Cl. .... D7/20; D7/95

[58] Field of Search ..... D7/19, 20, 16, 17, 18, D7/21, 1, 85, 97, 95; D9/220

[56] References Cited

U.S. PATENT DOCUMENTS

D. 121,468	7/1940	Farber .....	D7/95
D. 207,592	5/1967	Aubecq .....	D7/95
D. 220,282	3/1971	Piker .....	D7/1
D. 250,565	12/1978	Stowell .....	D7/20
D. 251,348	3/1979	Andersen .....	D7/23

OTHER PUBLICATIONS

*Carbone American Handicrafts Cat.*, p. 4, top Panel, lower r. Casserole.

*Corning Ware Products, Cat. 1968*, CS 19-11/67, p. 7, top Panel—"Menu-ette Set", top r. Skillet.

Primary Examiner—Winifred E. Herrmann  
Attorney, Agent, or Firm—Bruns & Jenney

[57] CLAIM

The ornamental design for a casserole dish or similar article, as shown and described.

DESCRIPTION

FIG. 1 is a top plan view of a casserole dish or similar article showing my new design;

FIG. 2 is a bottom plan view thereof;

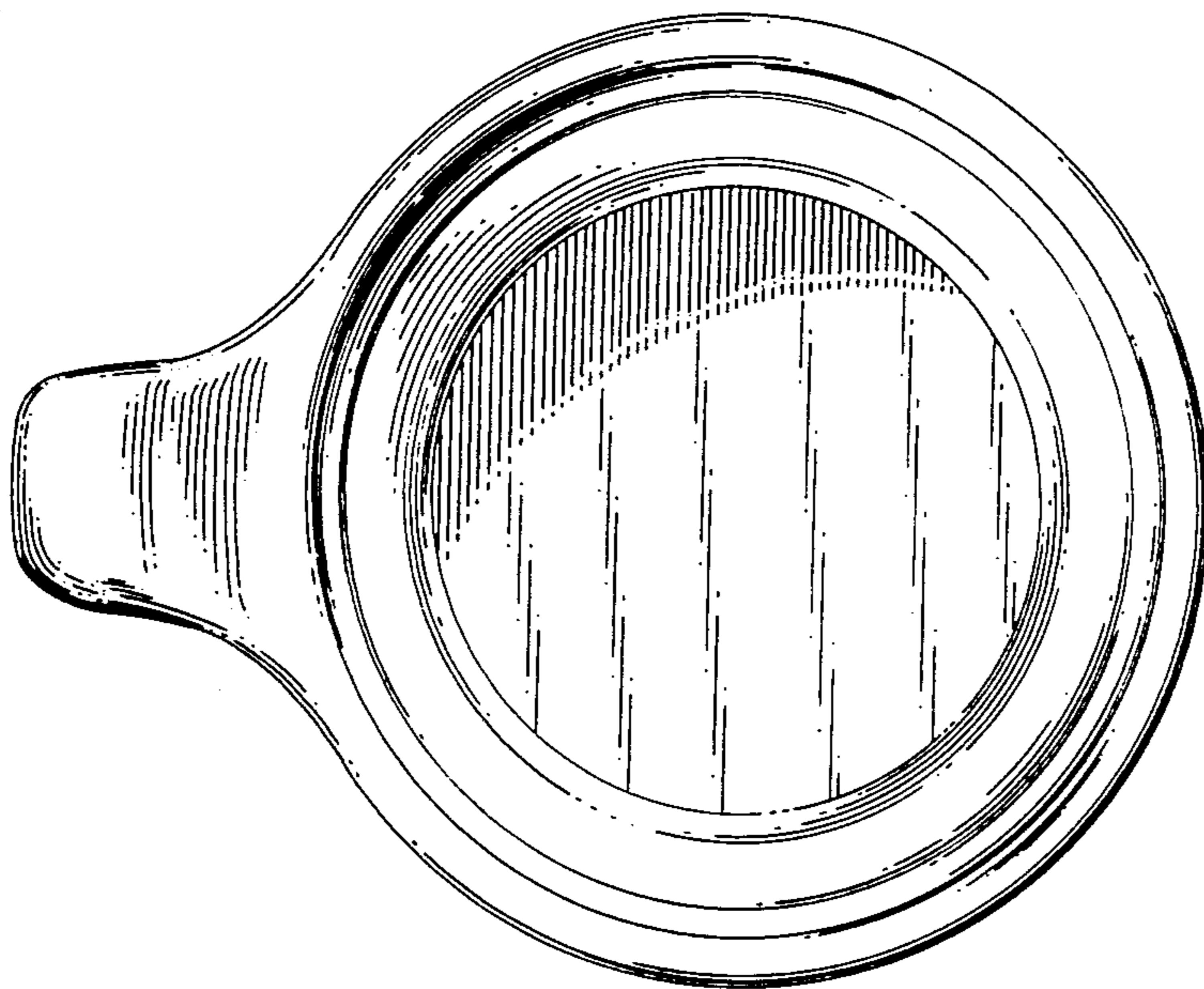
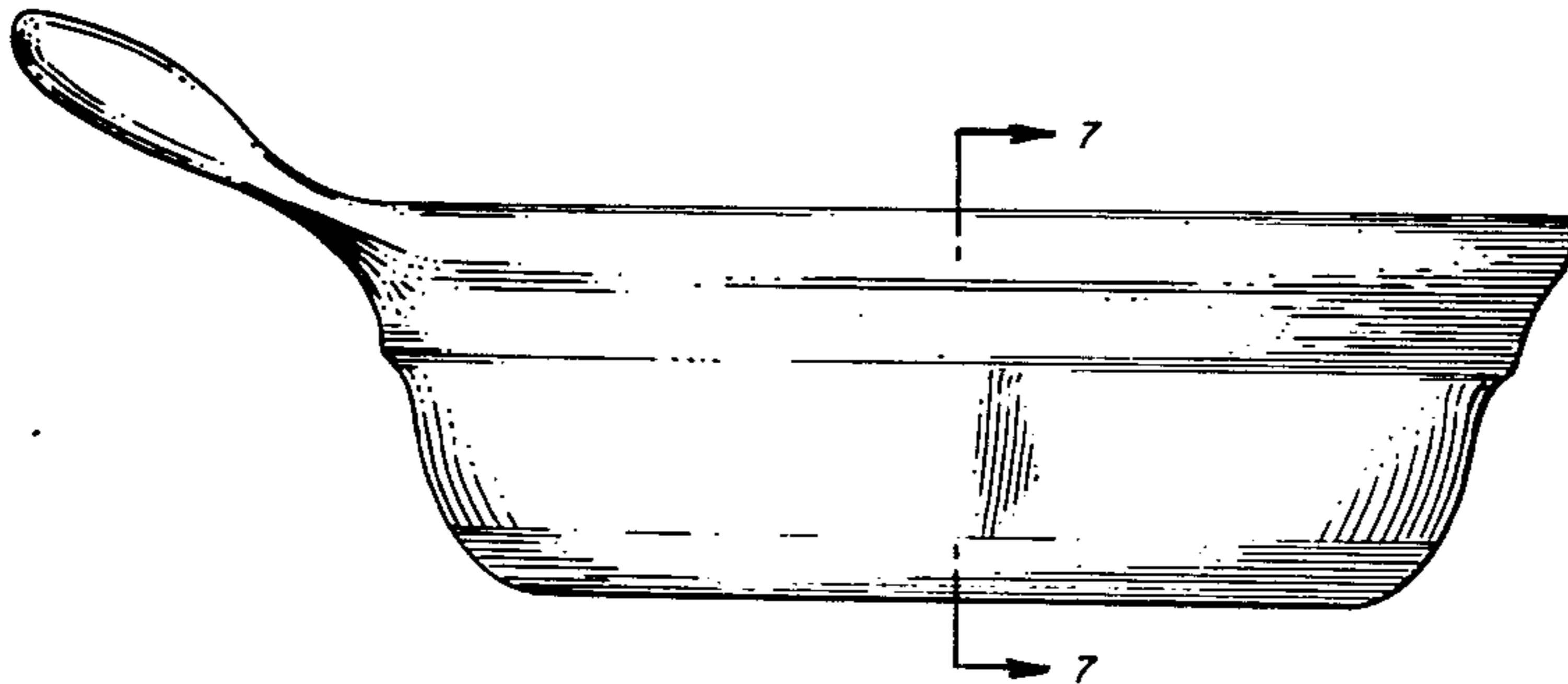
FIG. 3 is a front elevation thereof, the rear elevation being a mirror image;

FIG. 4 is a right side elevation thereof;

FIG. 5 is a left side elevation thereof;

FIG. 6 is a vertical sectional view thereof taken on line 6-6 of FIG. 4; and

FIG. 7 is a vertical sectional view thereof taken on line 7-7 of FIG. 3.



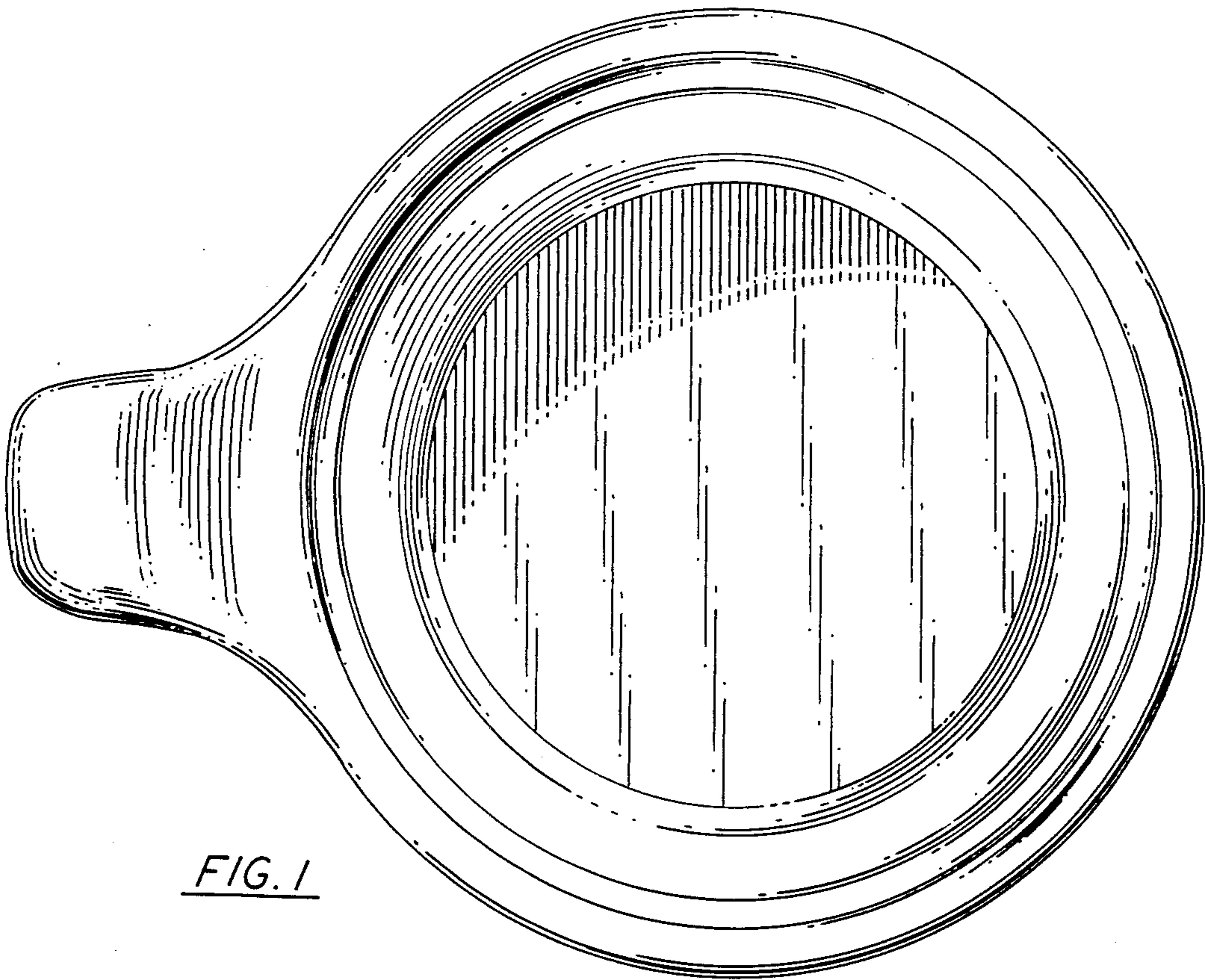


FIG. 1

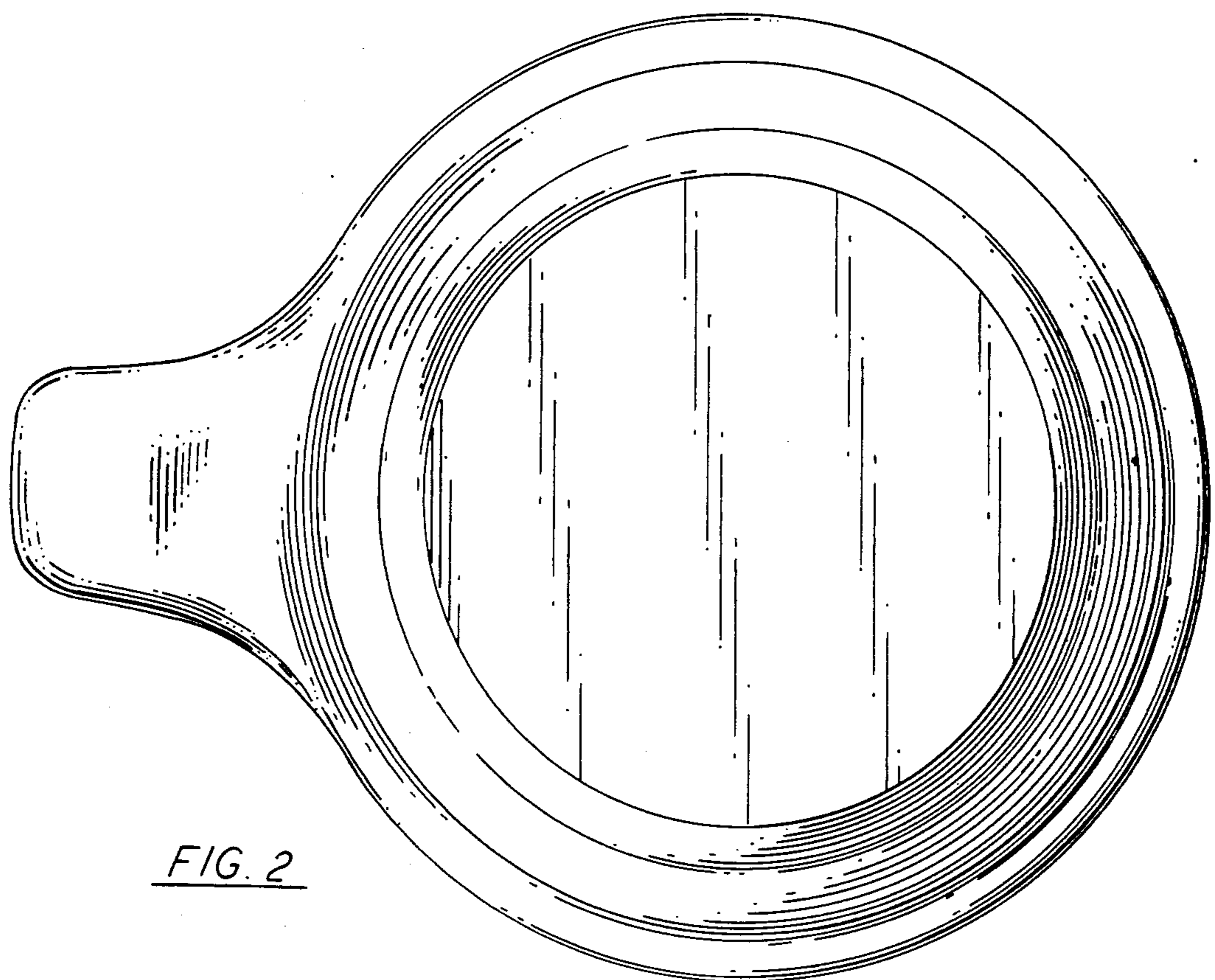
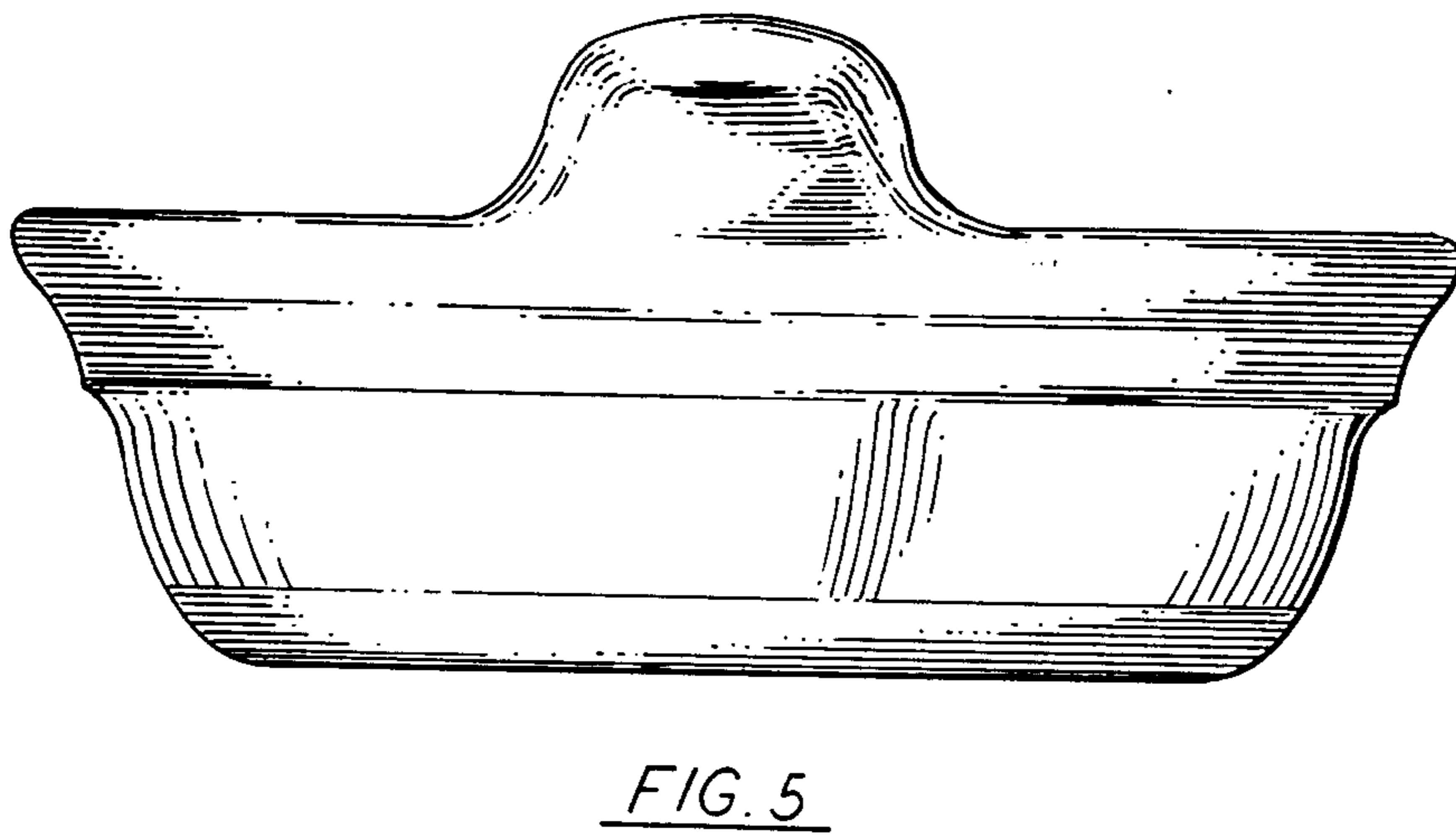
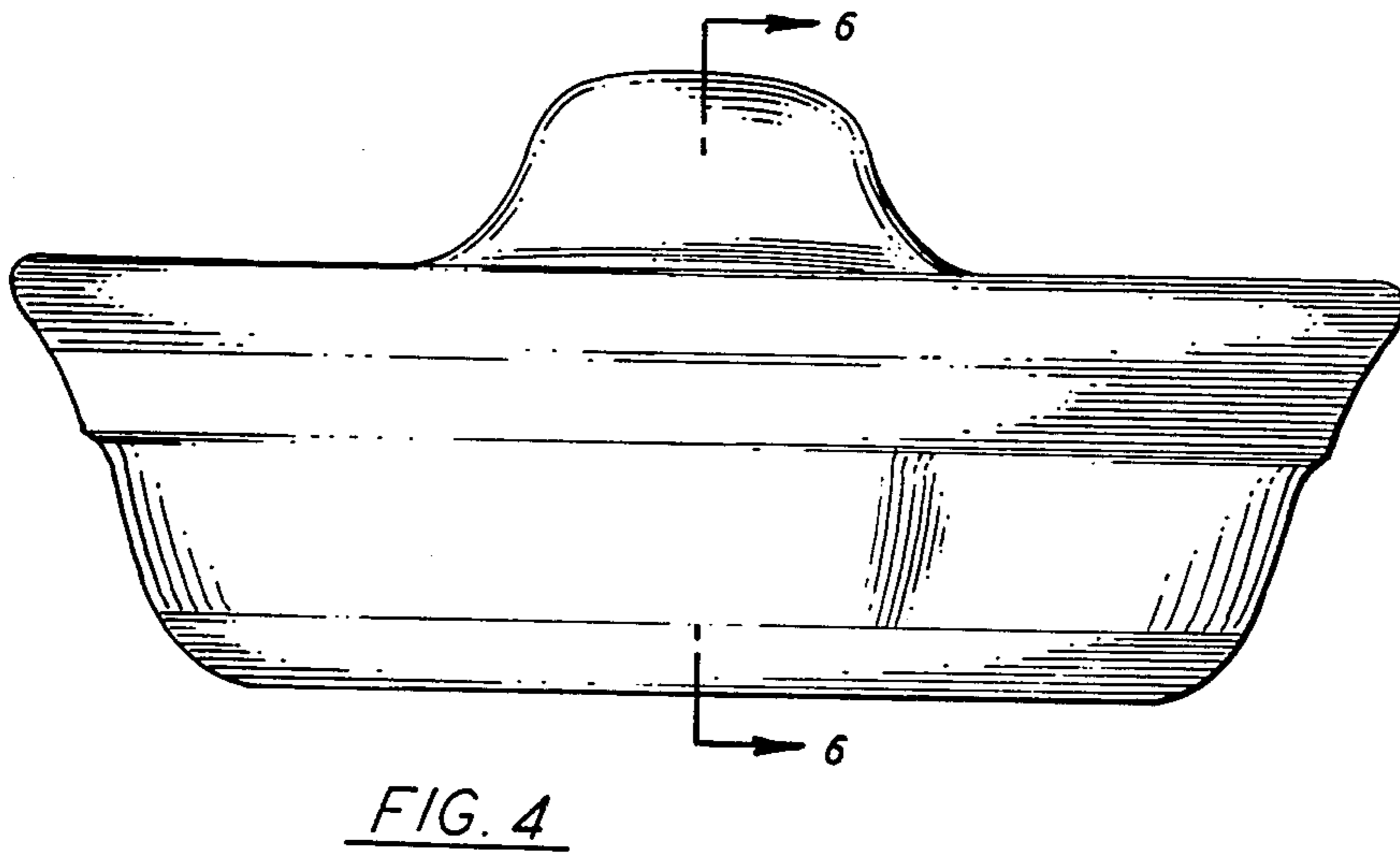
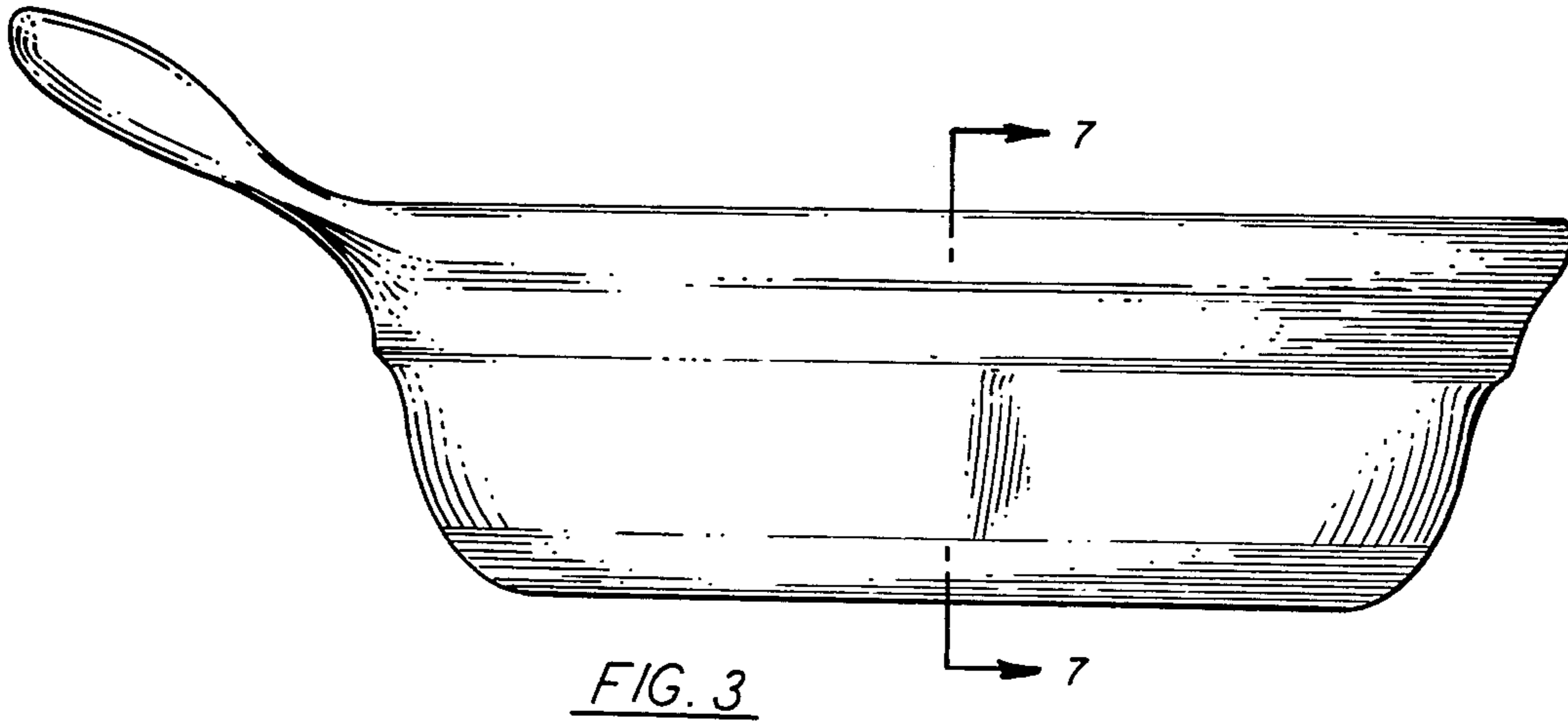


FIG. 2



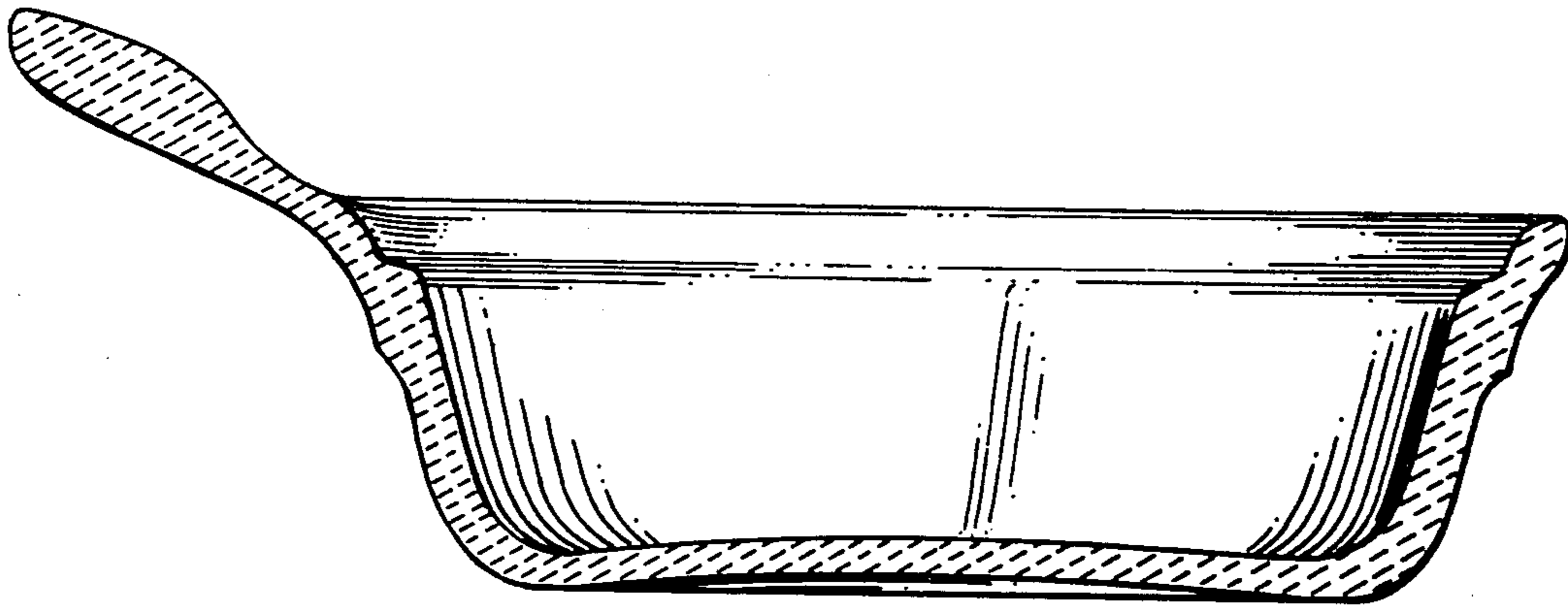


FIG. 6

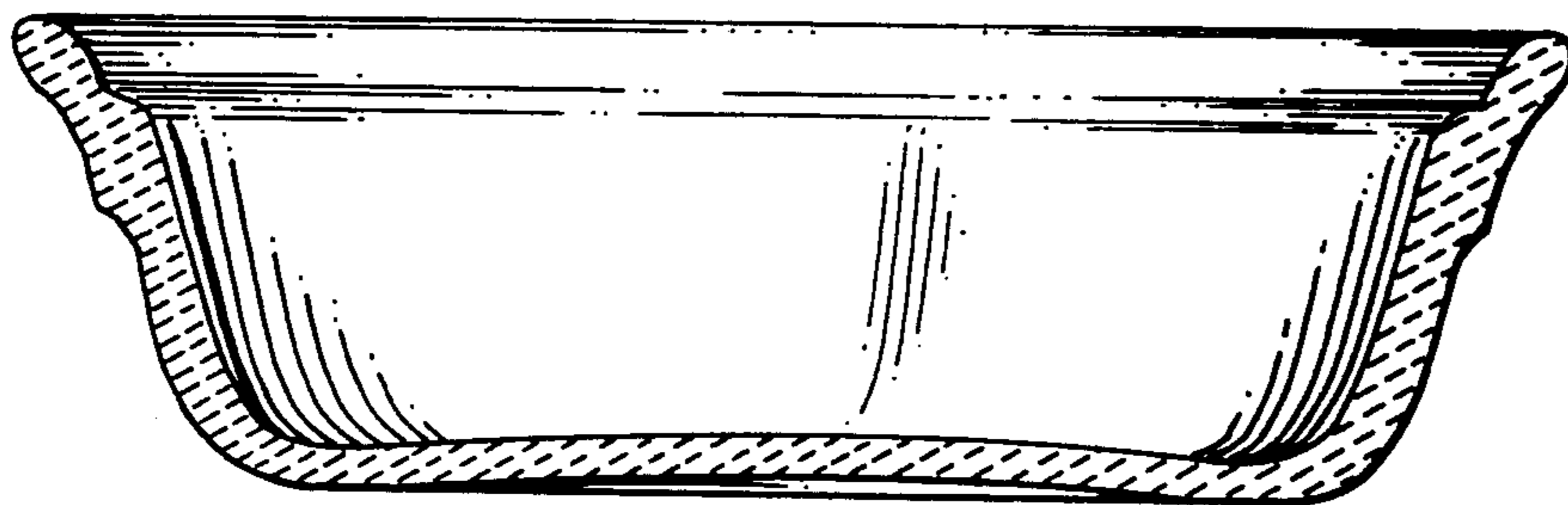


FIG. 7