

[54] MULTIPLE PROJECTOR REGISTRATION PLATFORM

[76] Inventor: Howard S. Gudgel, 7326 E. 59th Pl., Tulsa, Okla. 74145

[**] Term: 14 Years

[21] Appl. No.: 881,870

[22] Filed: Feb. 27, 1978

[51] Int. Cl. D6-06

[52] U.S. Cl. D6/145

[58] Field of Search D16/11, 20, 21, 26, D16/44; D6/85, 145, 157, 132, 134, 181; 211/13, 134, 186, 187, 188; 108/59, 64, 91, 92, 93, 149; 353/94; 248/637, 639, 676, 678, 680, 163, 127

[56] References Cited

U.S. PATENT DOCUMENTS

D. 183,617	9/1958	Klein et al.	D6/145
D. 204,516	4/1966	Szymer	D16/26 X
4,148,453	4/1979	Brantly	211/13 X

Primary Examiner—Catherine E. Kemper
Attorney, Agent, or Firm—Head & Johnson

[57] CLAIM

The ornamental design for a multiple projector registration platform, substantially as shown and described.

DESCRIPTION

FIG. 1 is a side elevational view of one side of the multiple projector registration platform showing my new design.

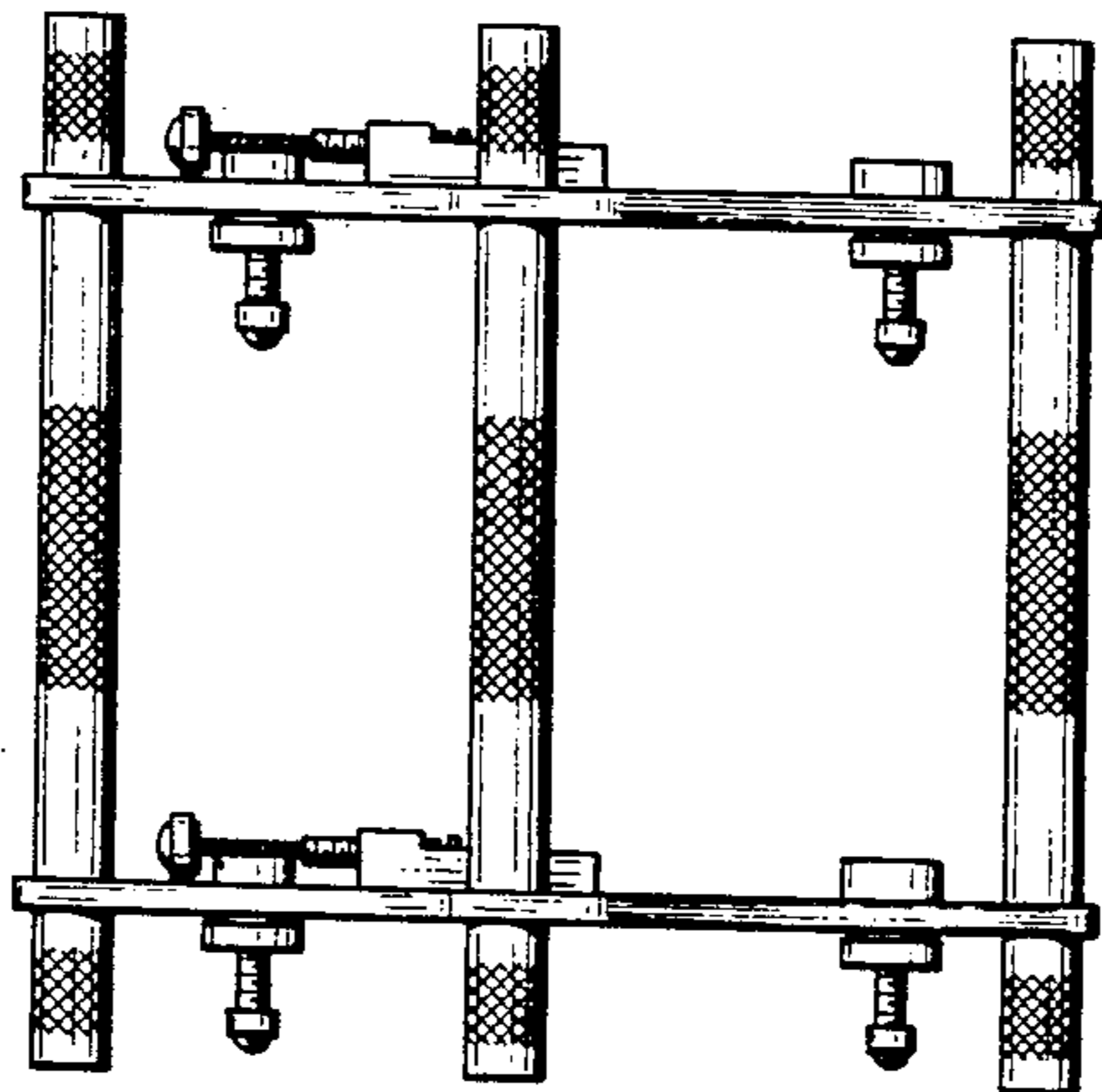
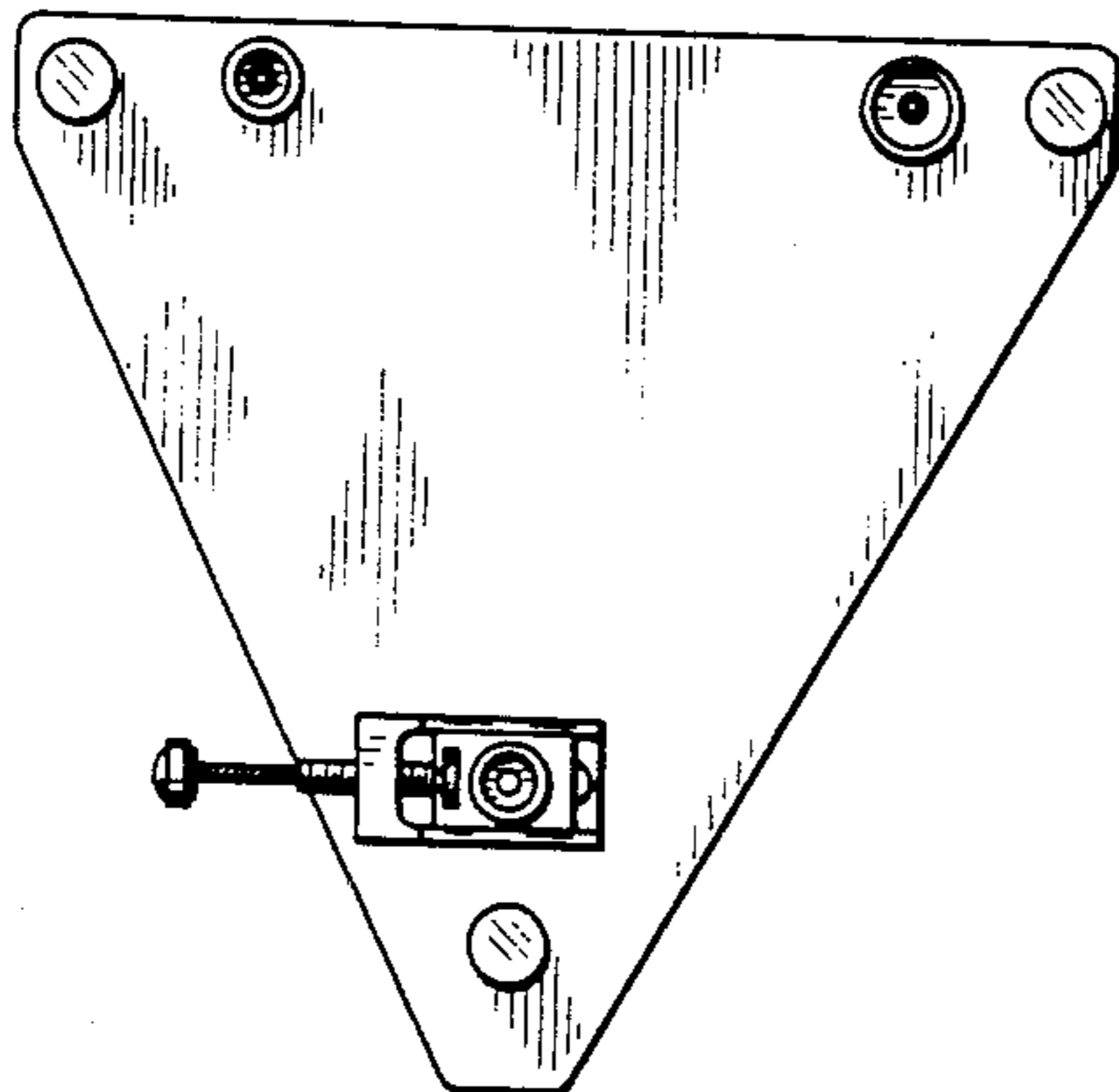
FIG. 2 is a side elevational view of the other side.

FIG. 3 is a bottom plan view thereof.

FIG. 4 is a top plan view thereof.

FIG. 5 is a rear elevational view thereof.

FIG. 6 is a front elevational view thereof.



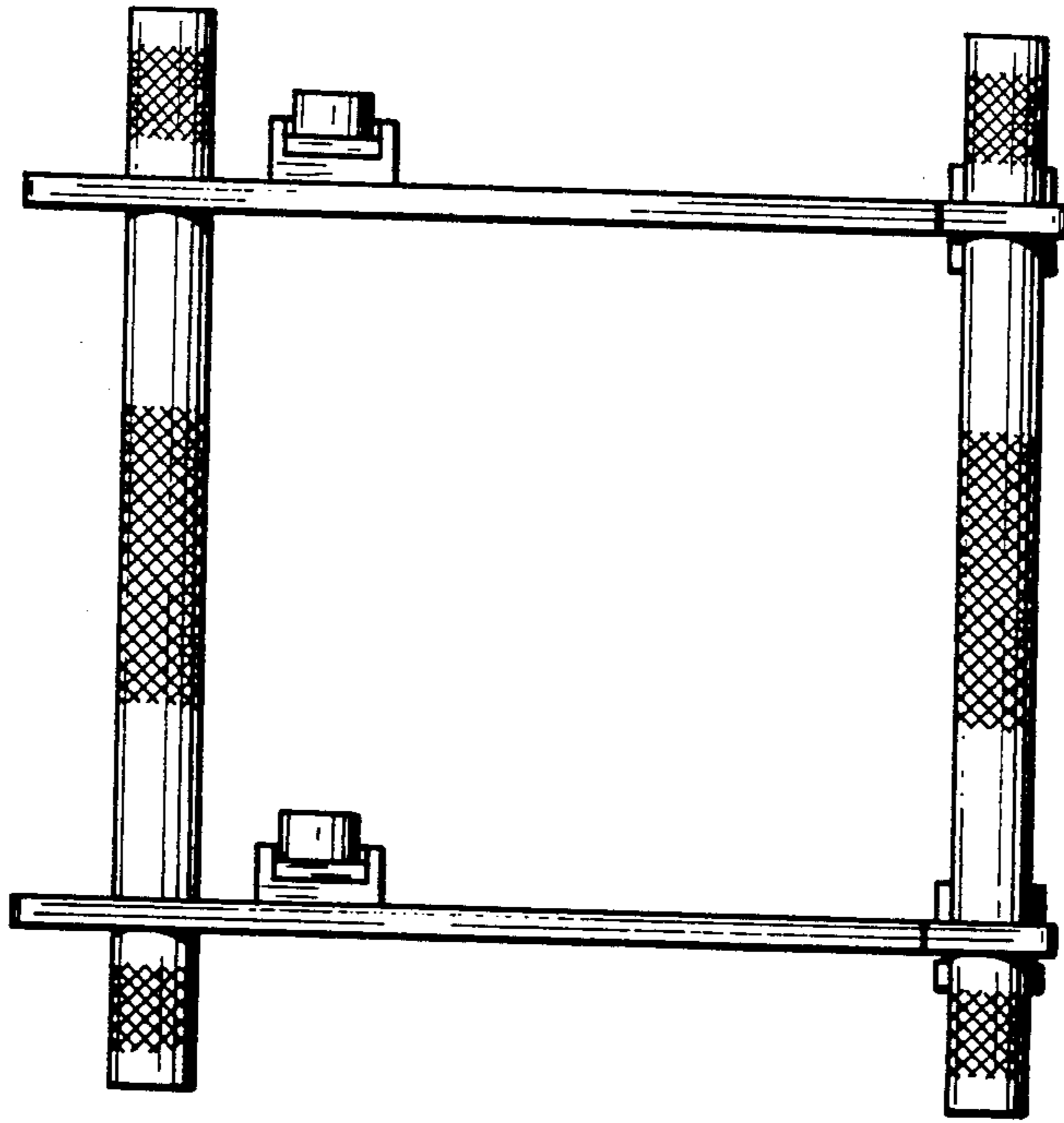


Fig. 1

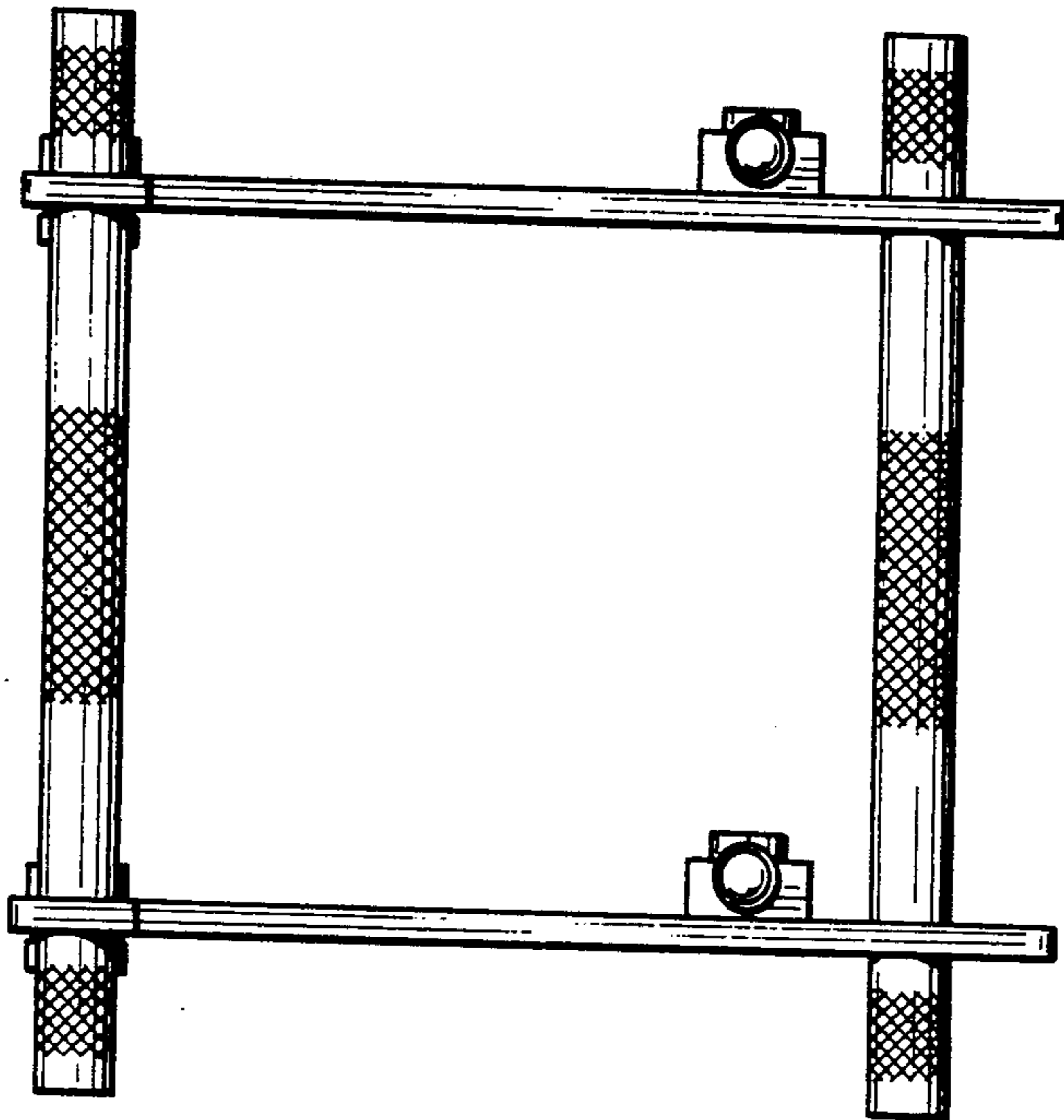


Fig. 2

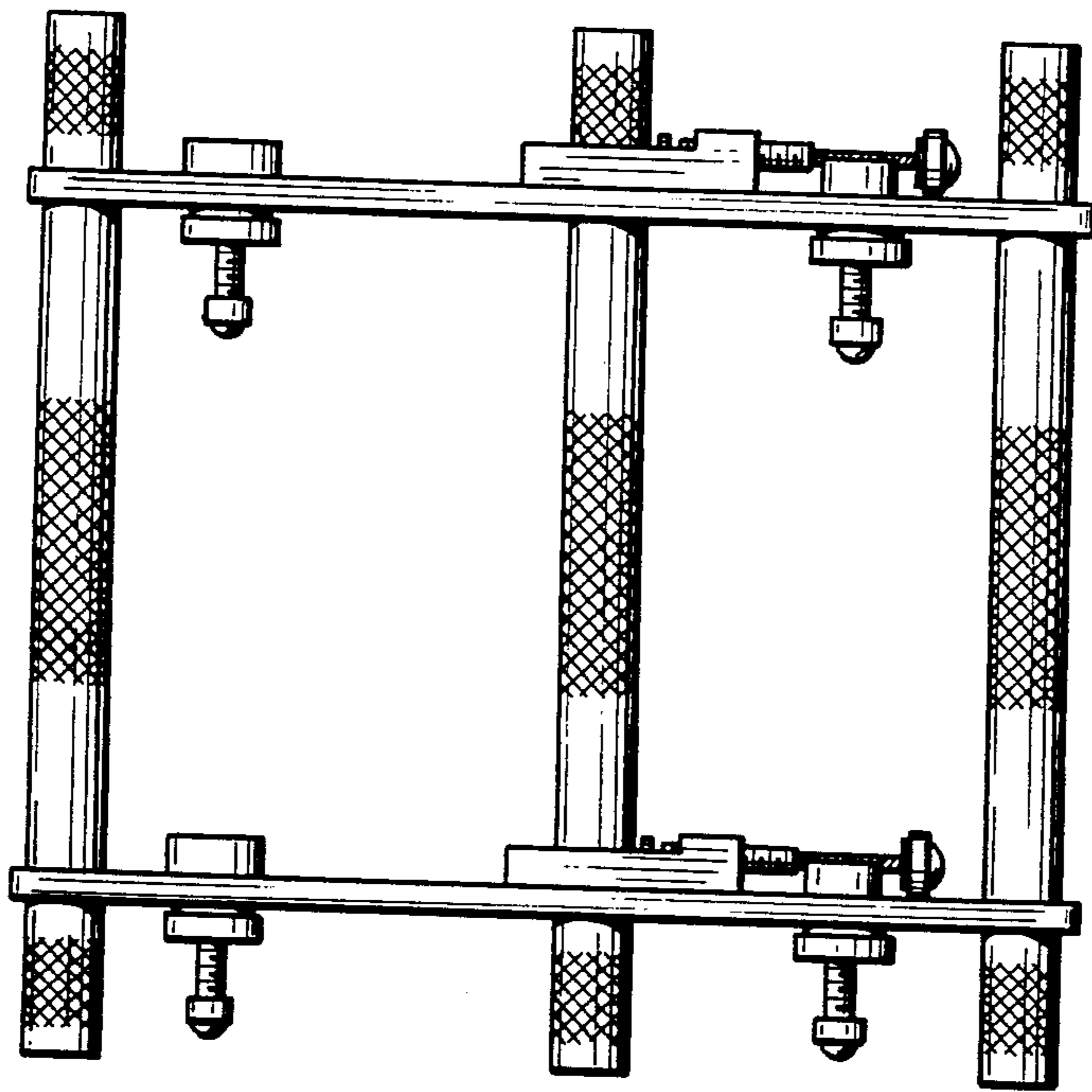


Fig. 5

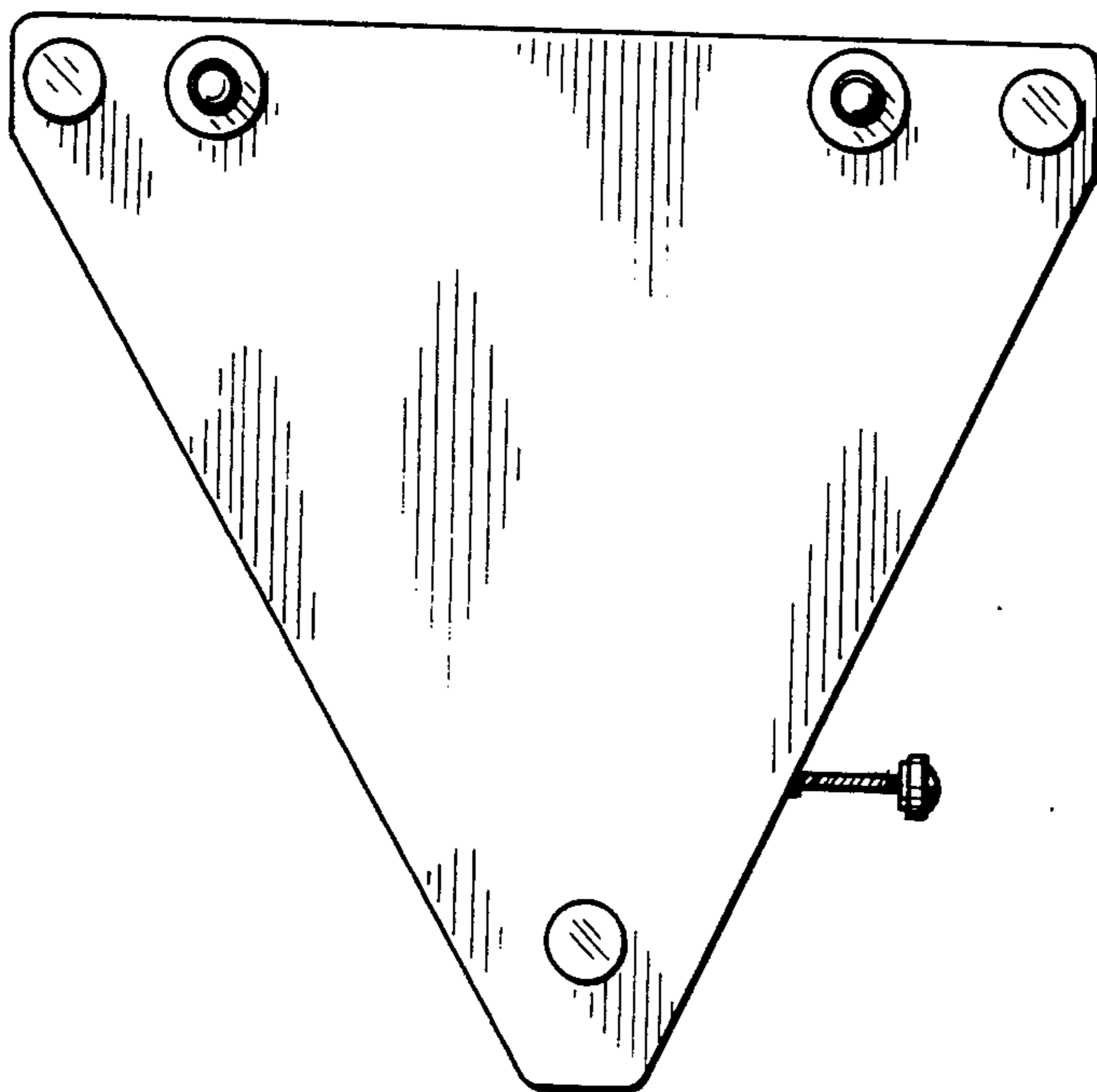


Fig. 3

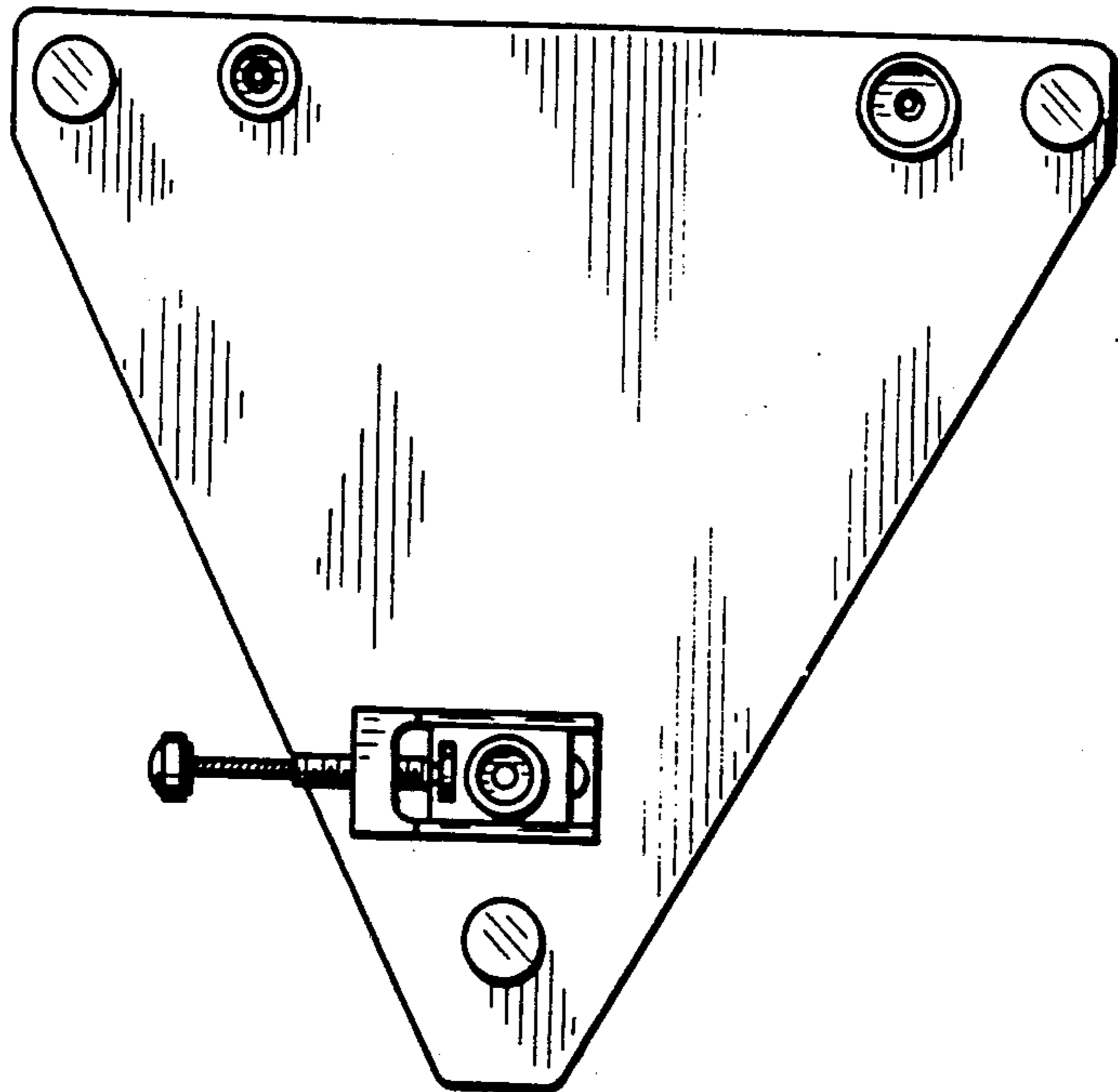


Fig. 4

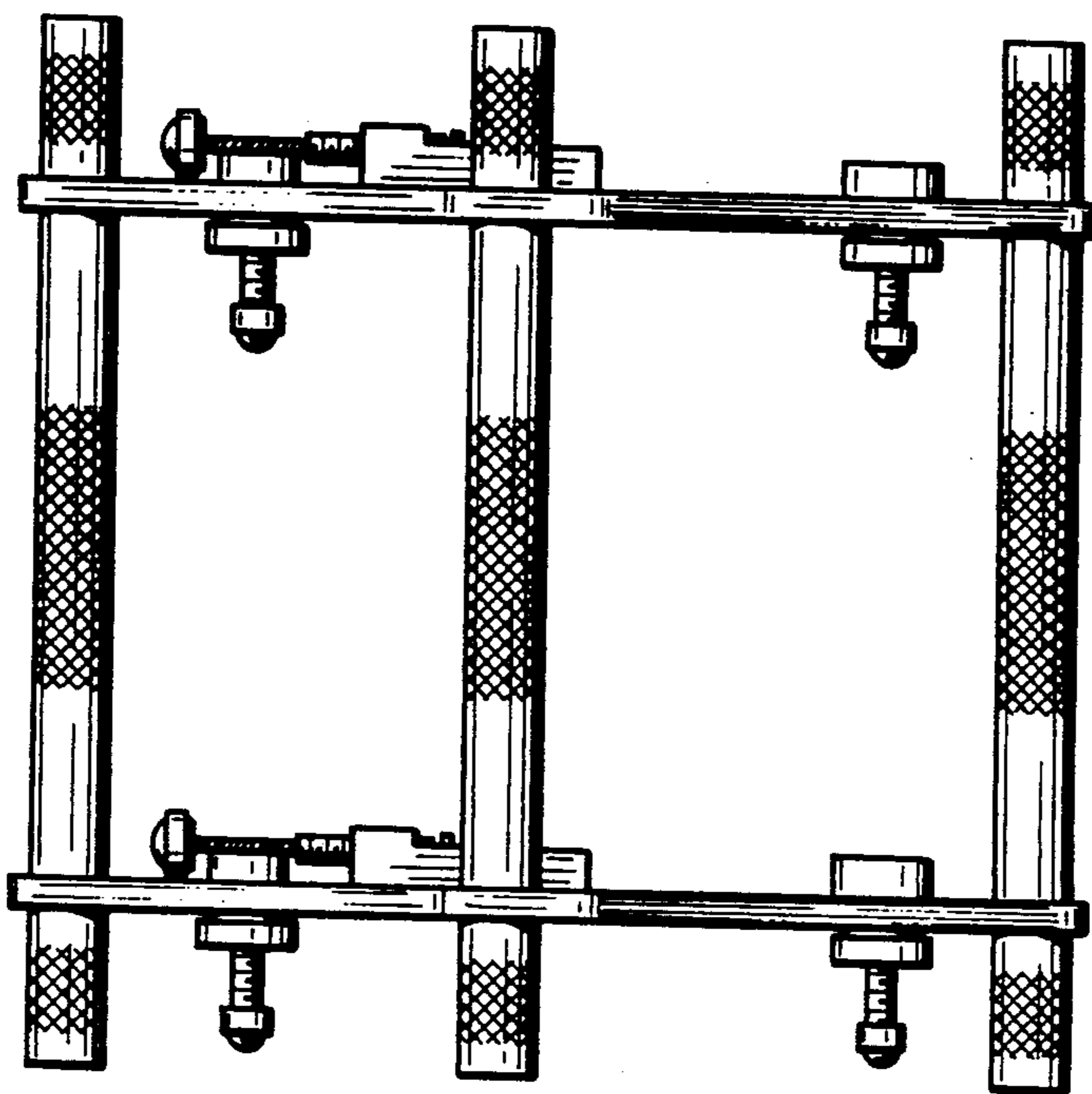


Fig. 6