

[54] FINGERNAIL GUARD

[76] Inventor: Yvonne L. Wood, 7272 Florey st., San Diego, Calif. 92122

[\*\*] Term: 14 Years

[21] Appl. No.: 928,724

[22] Filed: Jul. 27, 1978

[51] Int. Cl. .... D28-03

[52] U.S. Cl. .... D28/56; D28/57; D28/62

[58] Field of Search ..... D28/56, 57, 62, 9, 4, D28/7; 132/88.5, 73.5

[56] References Cited

U.S. PATENT DOCUMENTS

D. 147,797	11/1947	Kayer	.....	D28/56
2,225,571	12/1940	Smith	.....	D28/56 X
2,323,854	7/1943	Silverman	.....	D28/56 X

3,070,804	1/1963	Parrilla	.....	D28/57
4,107,947	8/1978	Saito et al.	.....	63/2

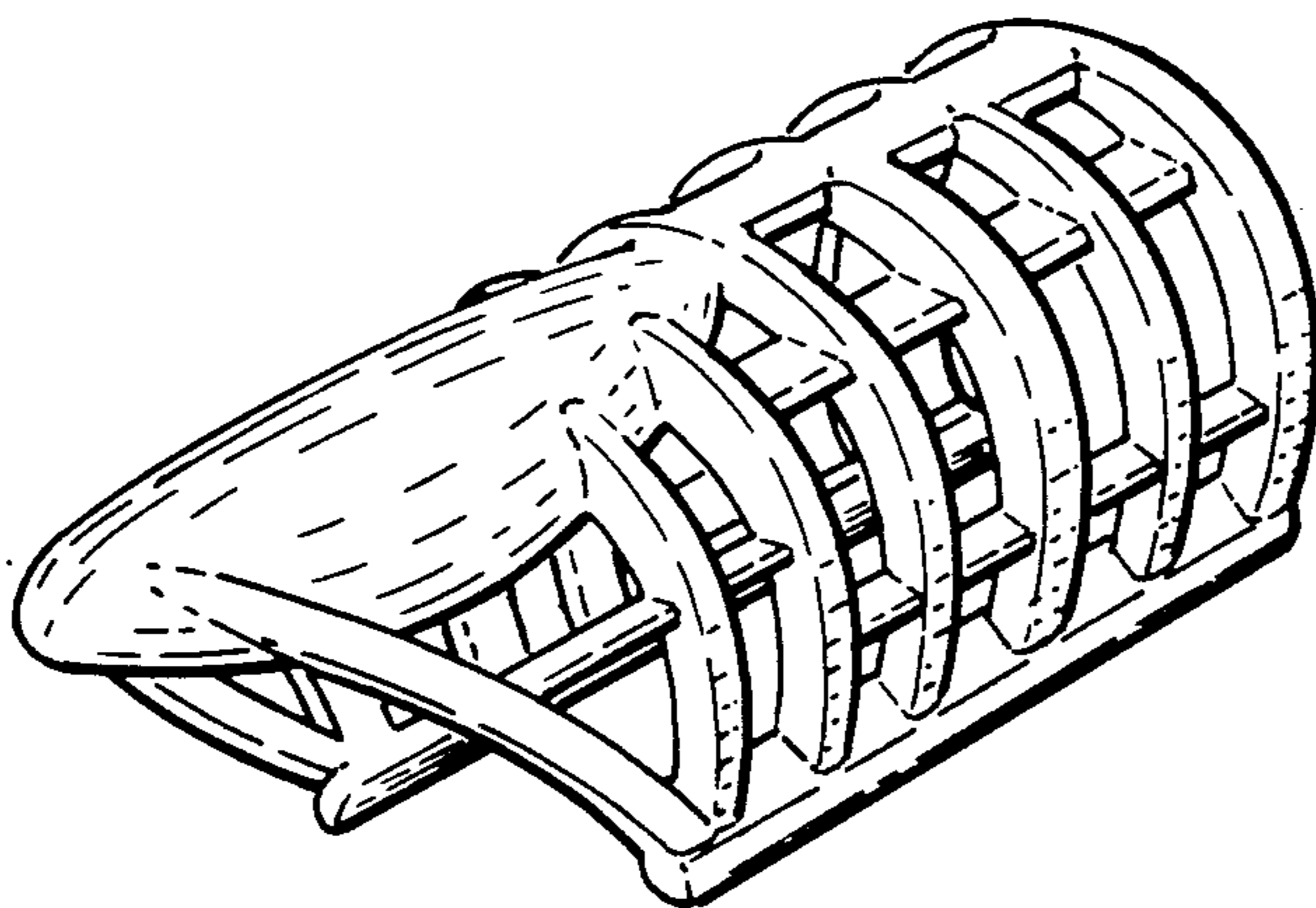
Primary Examiner—Donald B. Moyer  
Attorney, Agent, or Firm—John L. Haller

[57] CLAIM

The ornamental design for a fingernail guard, as shown and described.

DESCRIPTION

FIG. 1 is a top perspective view of a fingernail guard showing my new design;  
 FIG. 2 is a bottom perspective view;  
 FIG. 3 is a top plan view of the fingernail guard;  
 FIG. 4 is a right elevational view, the left side being a mirror image thereof;  
 FIG. 5 is a bottom plan view;  
 FIG. 6 is a front elevational view;  
 FIG. 7 is a rear elevational view; and  
 FIG. 8 is a sectional view thereof taken at about 8-8 of FIG. 3.



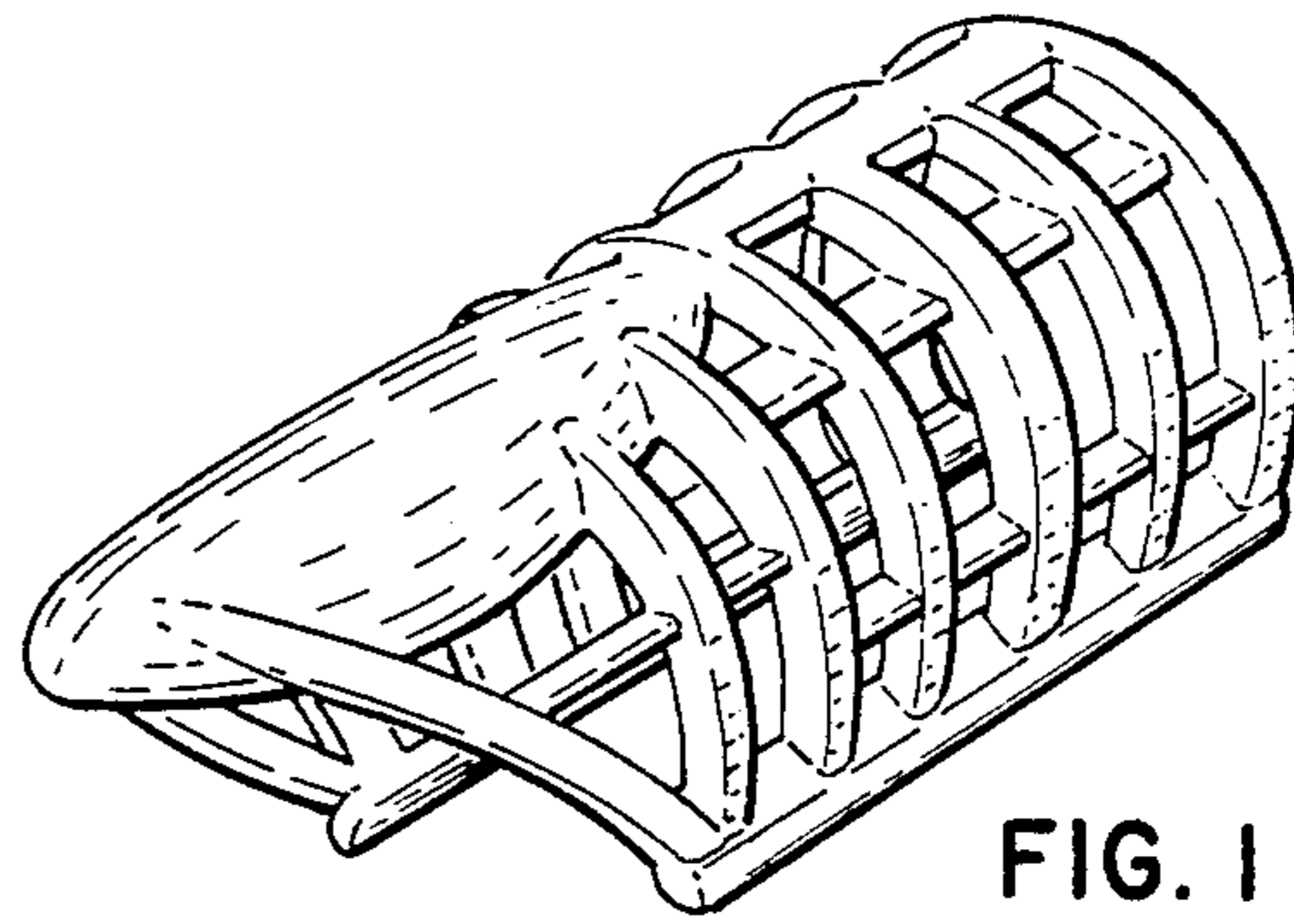


FIG. 1

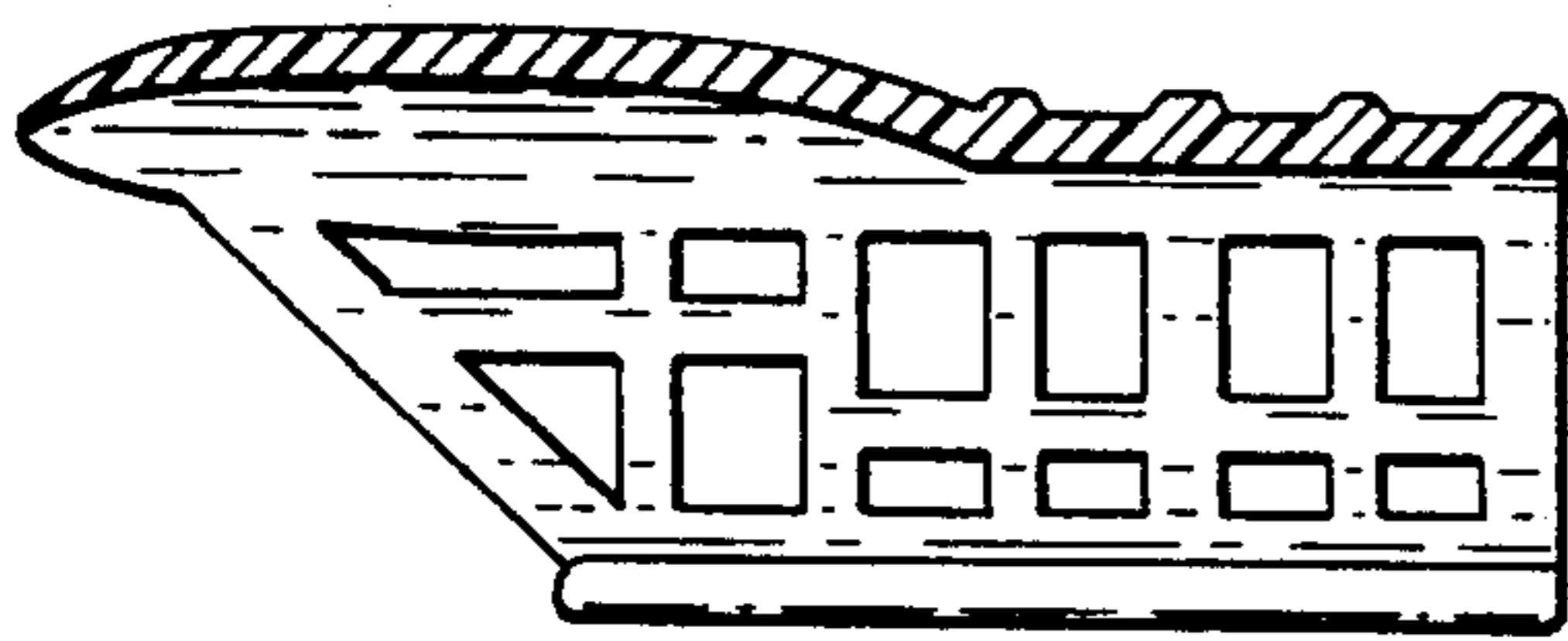


FIG. 8

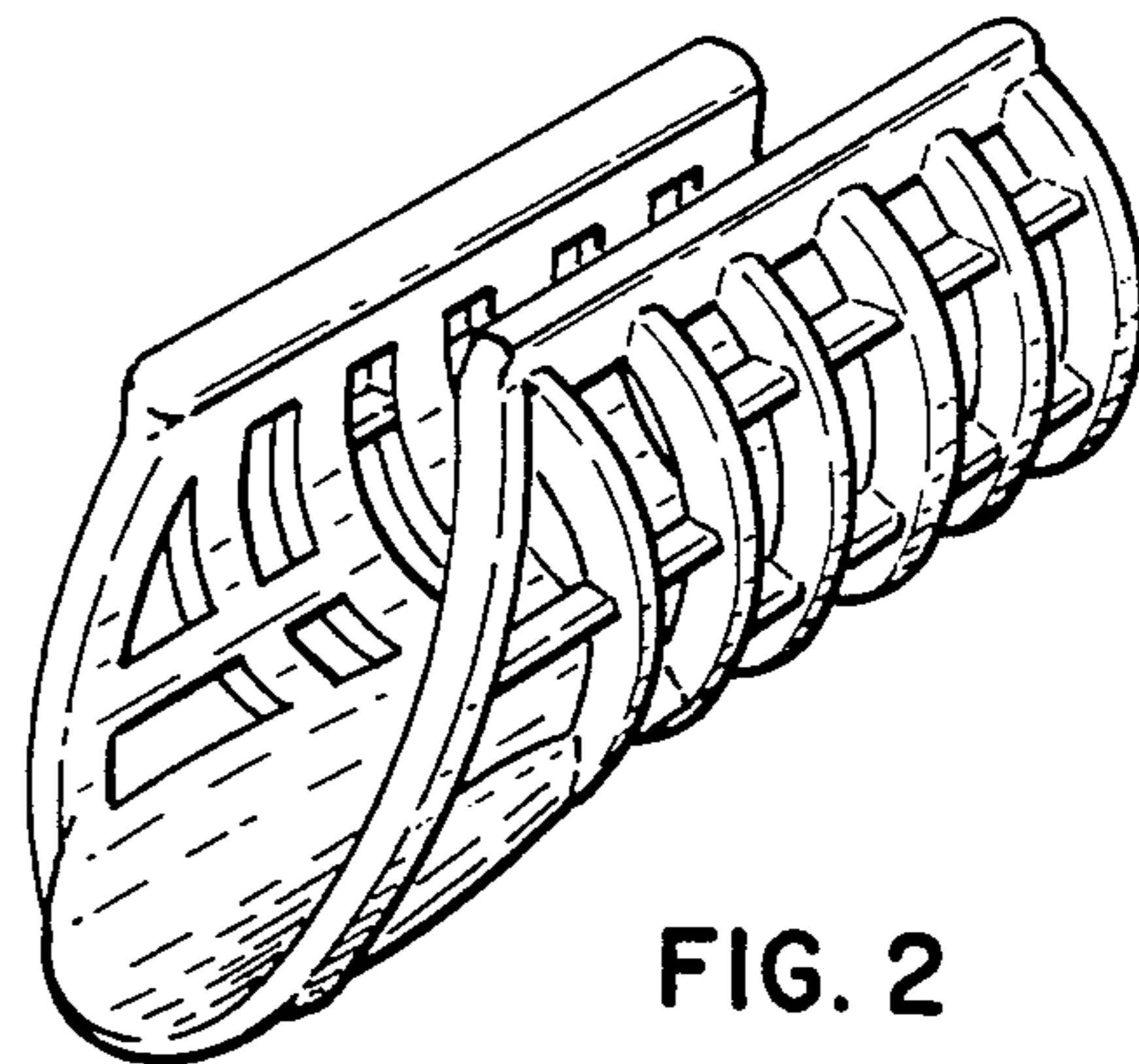


FIG. 2

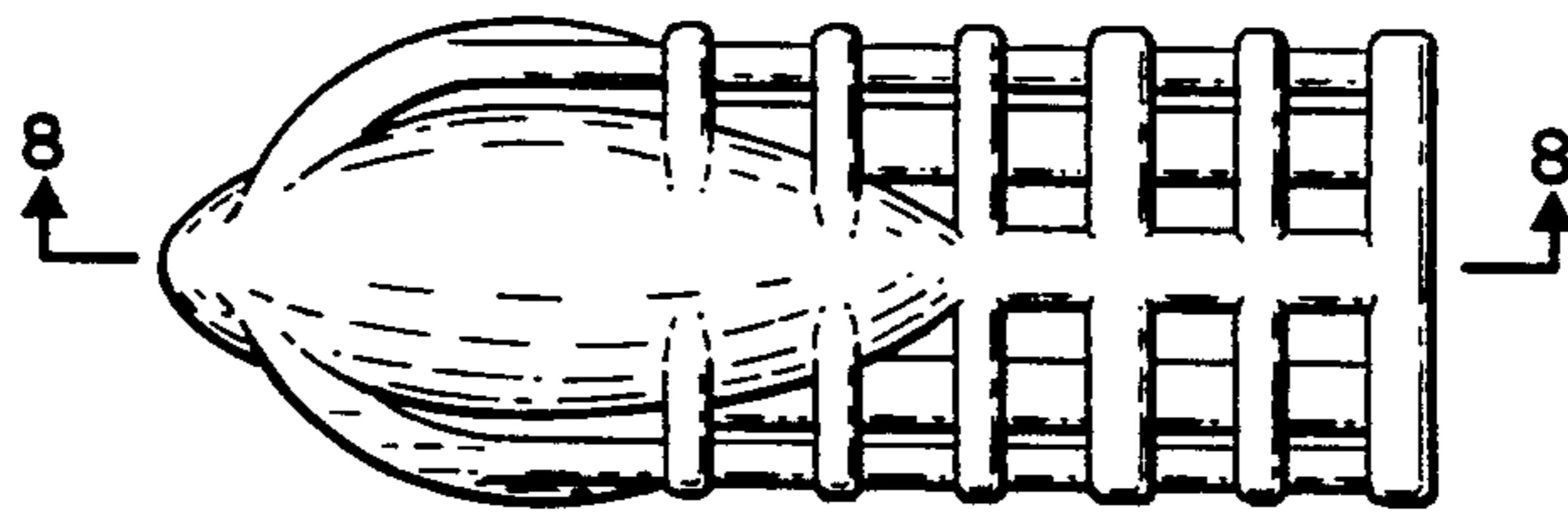


FIG. 3

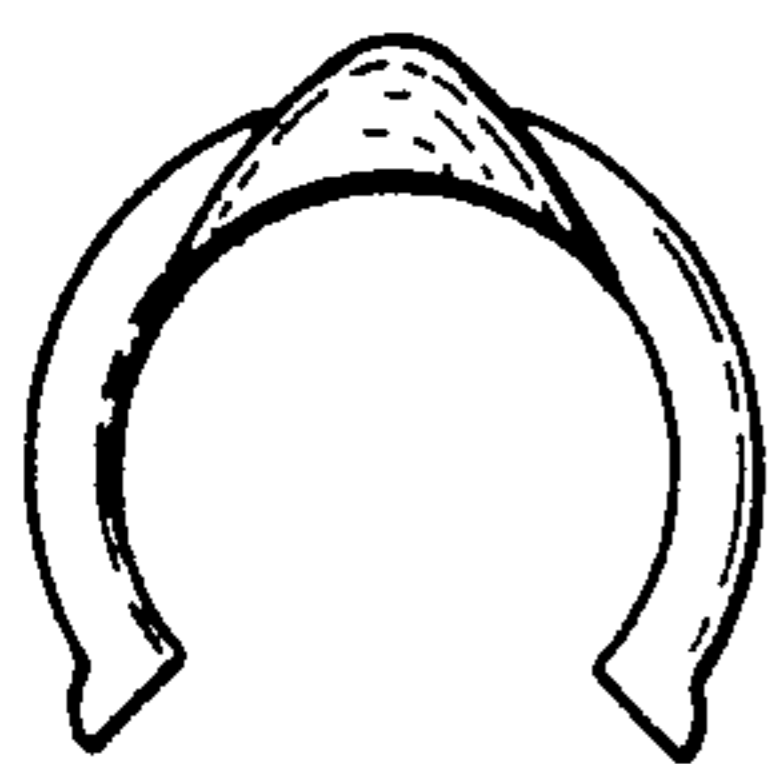


FIG. 6

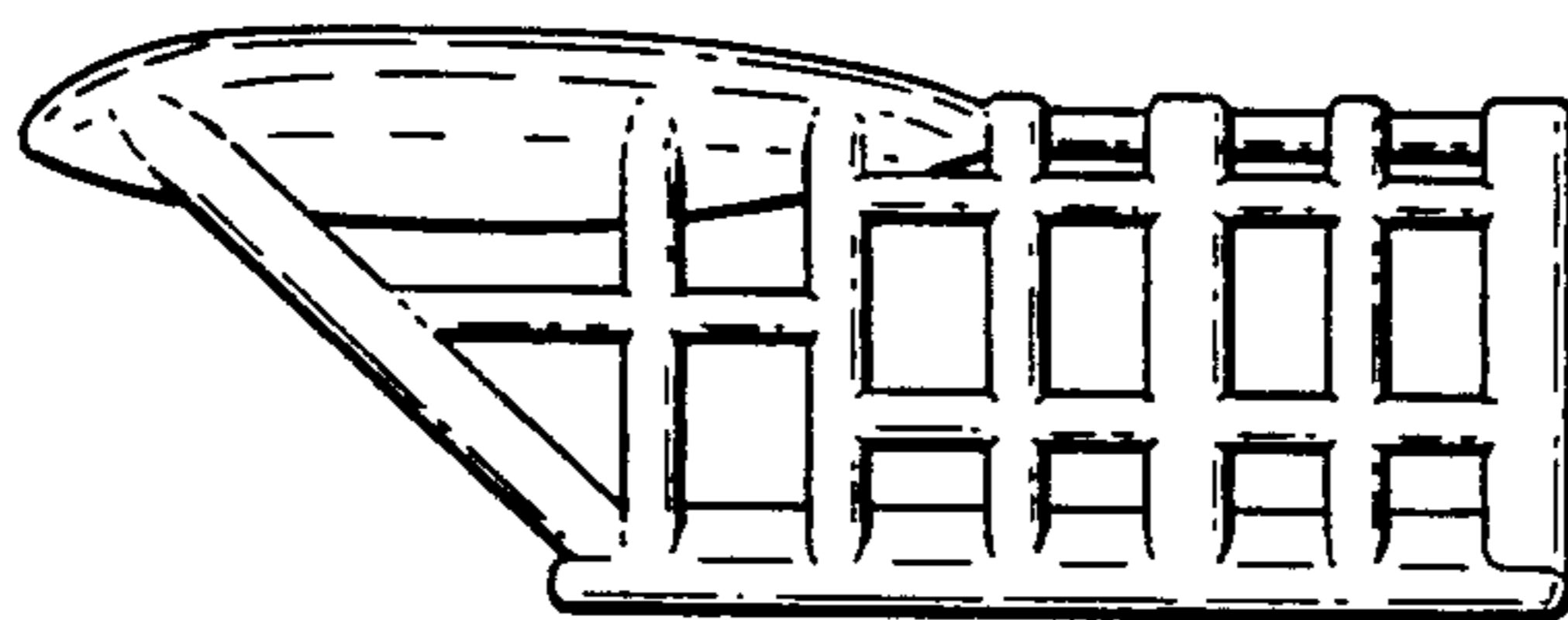


FIG. 4

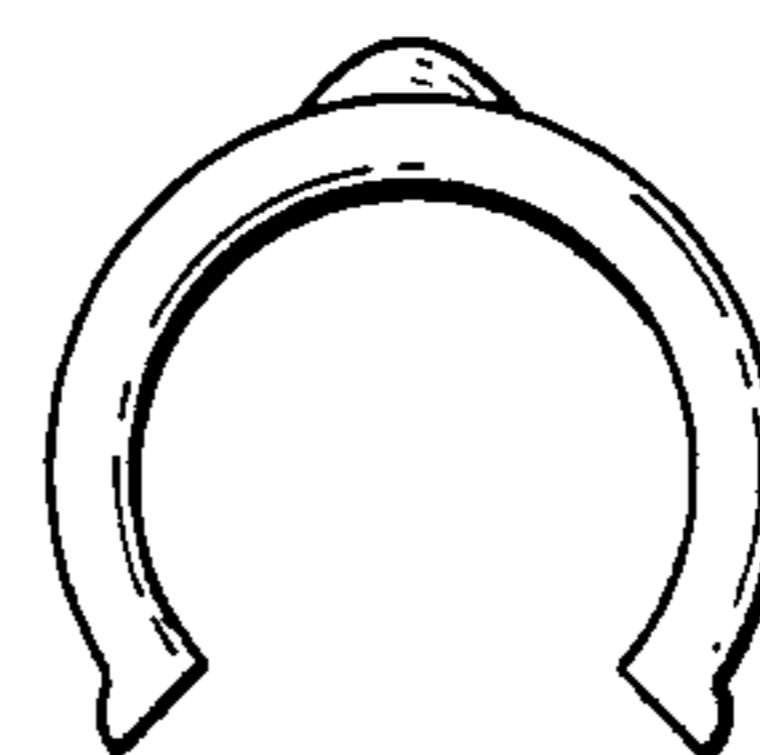


FIG. 7

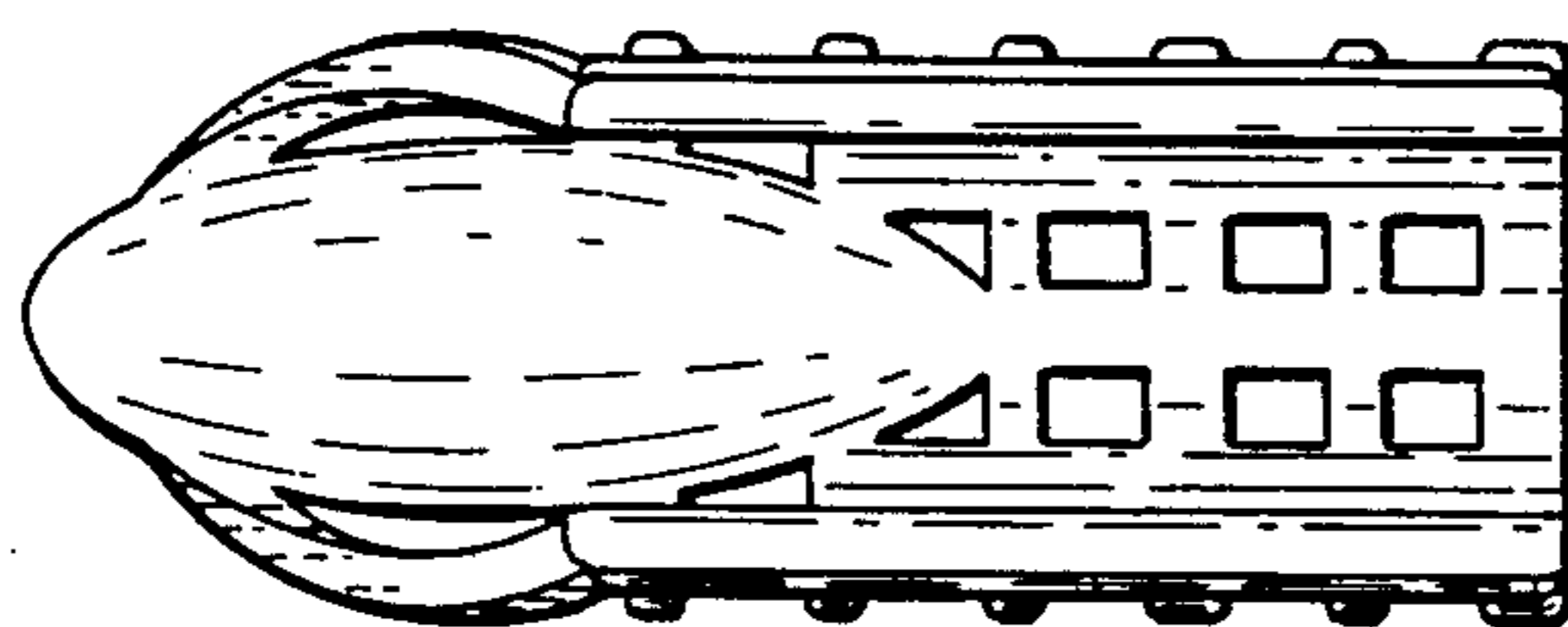


FIG. 5