

[54] CULTURE TUBE OR SIMILAR ARTICLE  
 [75] Inventors: Mary Jo Martin, Toledo; Edward W. Metz, Sylvania, both of Ohio  
 [73] Assignee: Owens-Illinois, Inc., Toledo, Ohio  
 [\*\*] Term: 14 Years  
 [21] Appl. No.: 922,001  
 [22] Filed: Jul. 3, 1978  
 [51] Int. Cl. .... D24-02; D24-99  
 [52] U.S. Cl. .... D24/56; D9/371  
 [58] Field of Search ..... 215/307, 1 R, 1 C, 295, 215/329; D24/99, 56; D9/285, 249; 435/296, 297, 298

3,830,702 8/1974 Beckford ..... 435/296  
 4,135,981 1/1979 Simpson et al. .... 435/296

Primary Examiner—Bernard Ansher  
 Attorney, Agent, or Firm—John R. Nelson; Myron E. Click; David H. Wilson

[57] CLAIM

The ornamental design for a culture tube or similar article, as shown and described.

DESCRIPTION

FIG. 1 is a front elevation of a culture tube or similar article showing my new design;  
 FIG. 2 is a top plan view thereof;  
 FIG. 3 is a bottom plan view thereof;  
 FIG. 4 is a front elevation of the culture tube, the broken lines representing the plant growth rooted in a nutrient material are shown for illustrative purposes only;  
 FIG. 5 is a cross-section taken on line 5—5 of FIG. 4; and  
 FIG. 6 is a cross-section taken on line 6—6 of FIG. 1.

[56] References Cited  
 U.S. PATENT DOCUMENTS  
 D. 232,355 8/1974 Wiedmann ..... D24/56  
 D. 246,600 12/1977 Kurata ..... D24/56  
 853,887 5/1907 Tremouille ..... 215/1 R  
 3,017,050 1/1962 Barr, Sr. et al. .... 215/305 X

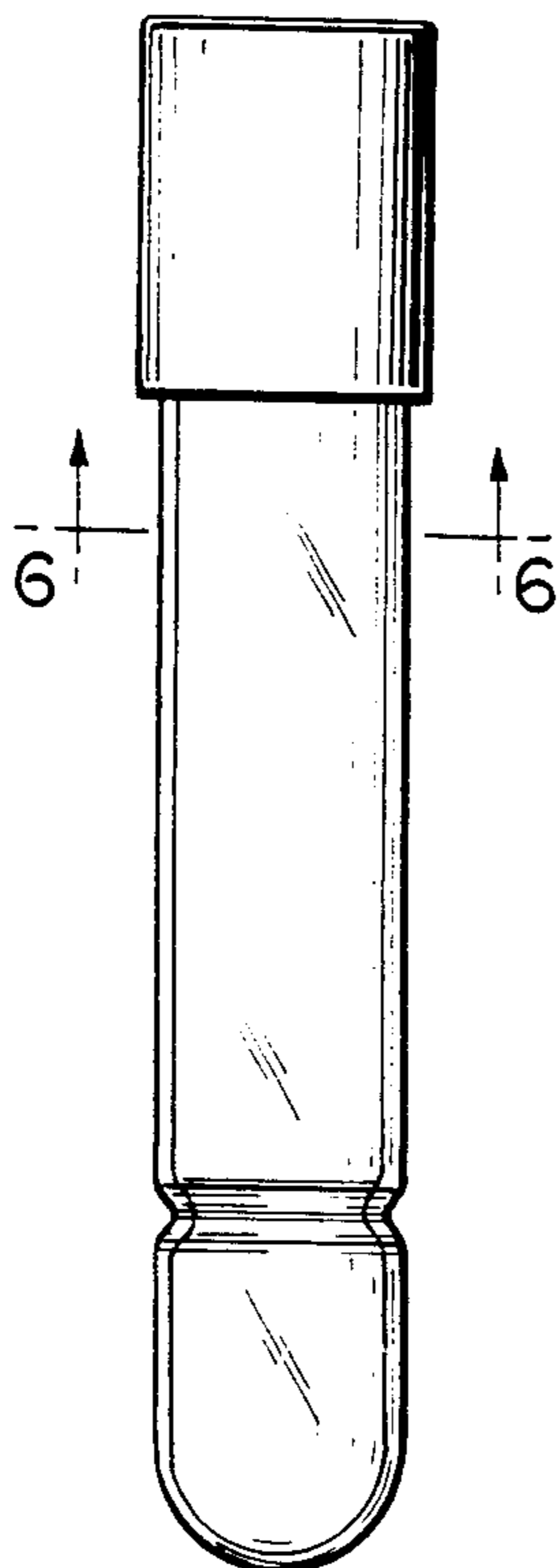


FIG. 2

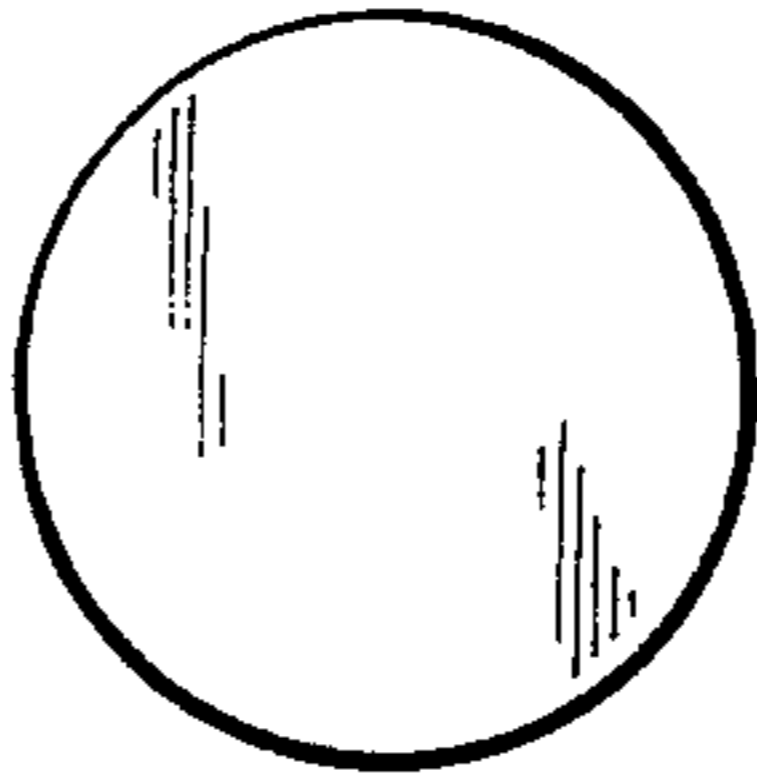


FIG. 1

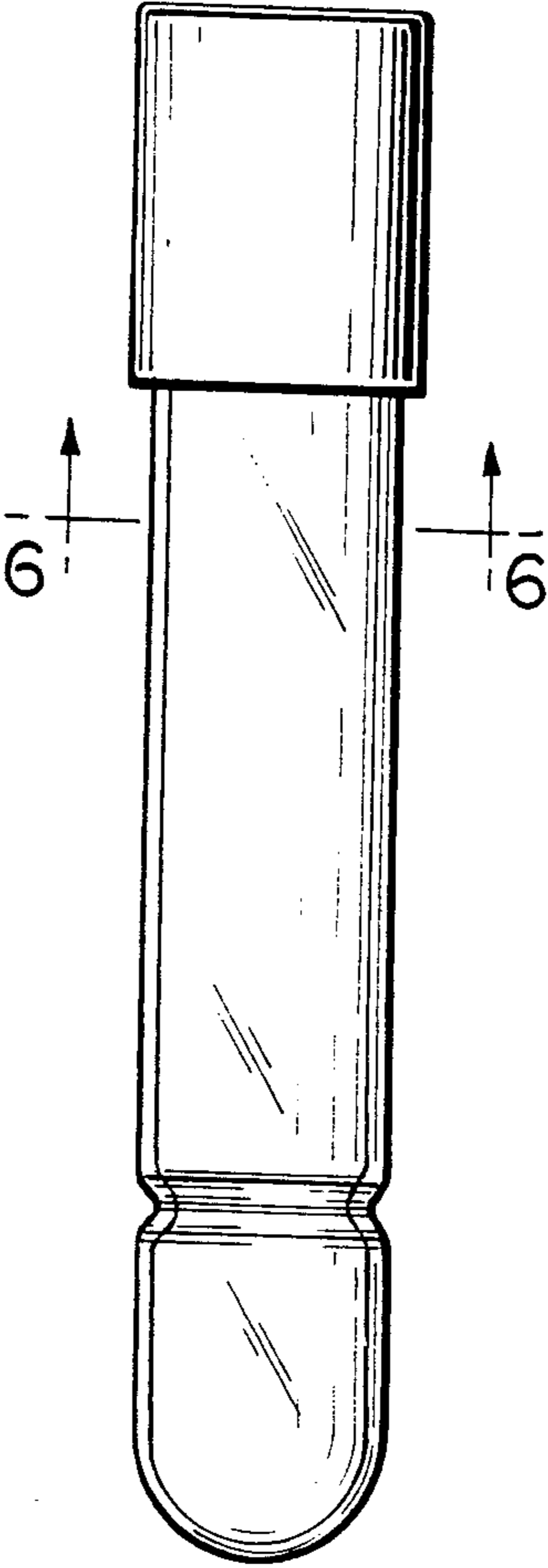
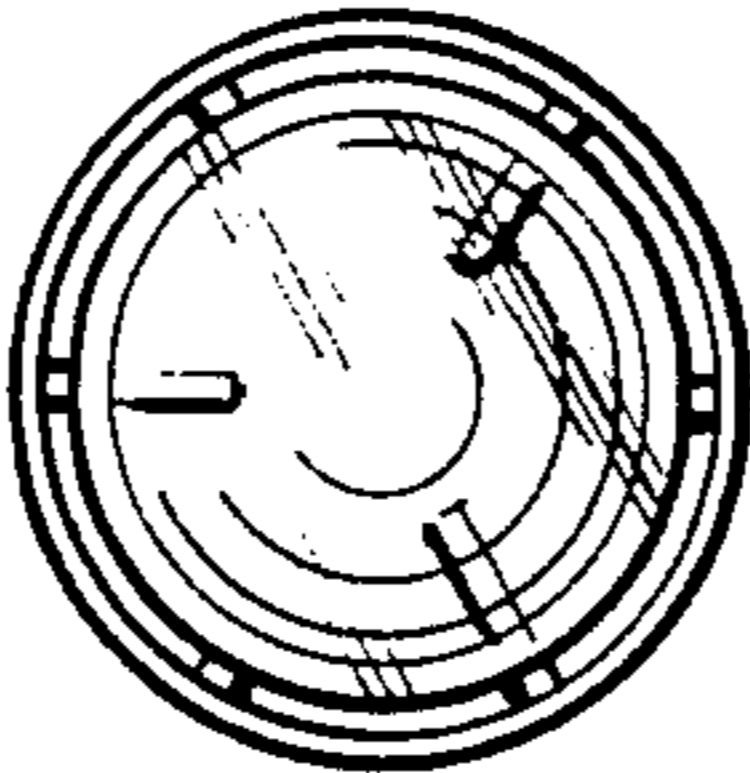


FIG. 3



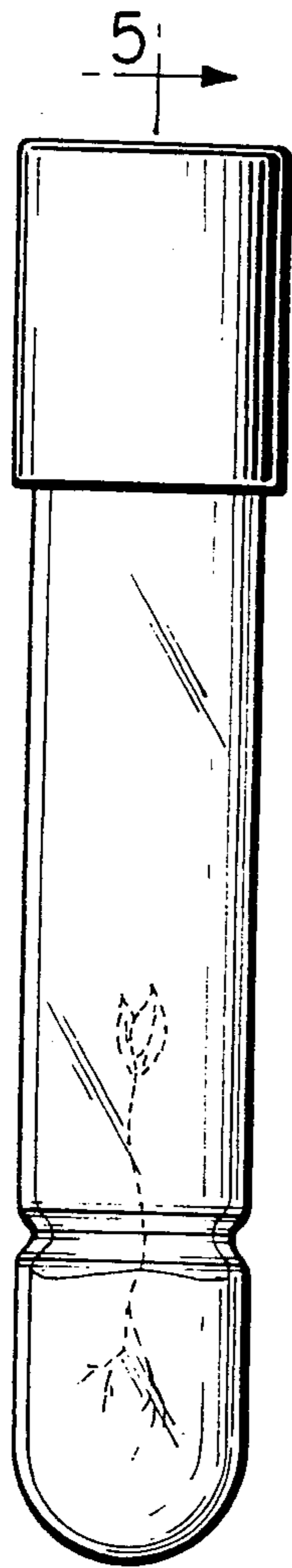


FIG. 4

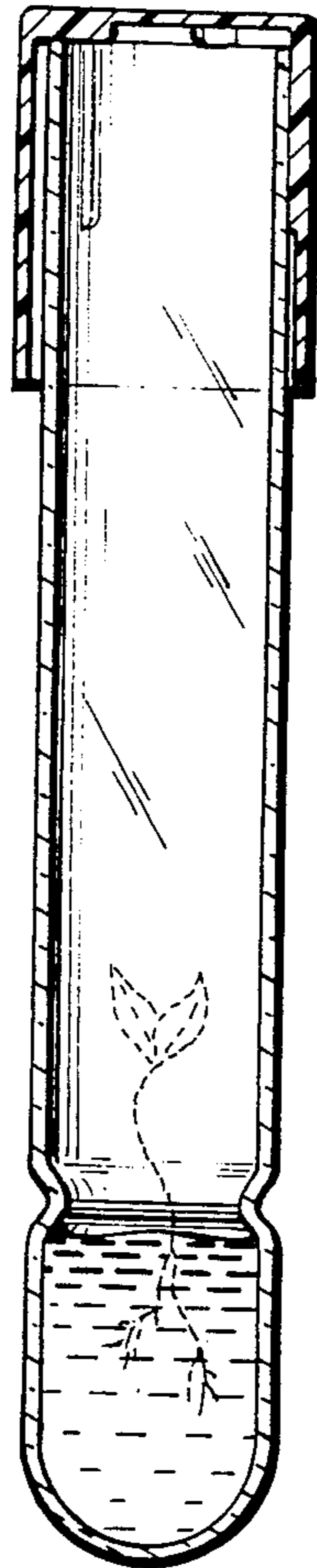


FIG. 5

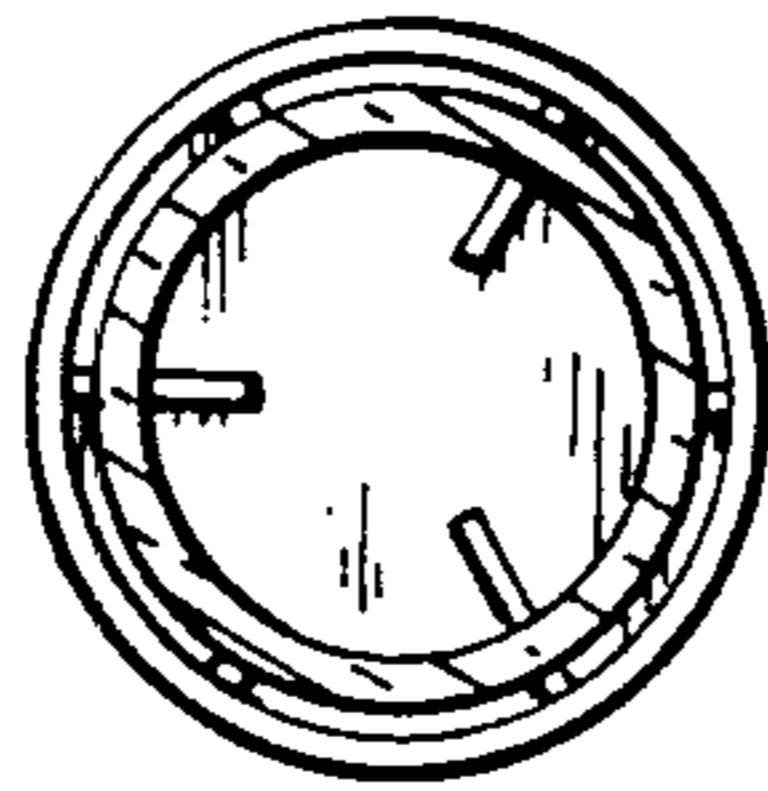


FIG. 6