

[54] **SPRINKLER HEAD**

[75] Inventor: **Larry P. Meyer, Walla Walla, Wash.**

[73] Assignee: **Nelson Irrigation Corporation, Walla Walla, Wash.**

[\*\*] Term: **14 Years**

[21] Appl. No.: **154,071**

[22] Filed: **May 28, 1980**

[51] Int. Cl. .... **D23-01**

[52] U.S. Cl. .... **D23/35; D23/6**

[58] Field of Search ..... **D23/6-12, D23/34-38; 169/37-41; 239/532, 524**

[56] **References Cited**

**U.S. PATENT DOCUMENTS**

D. 184,373	2/1959	Rider .....	D23/6
D. 253,842	1/1980	Addison .....	D23/35
792,309	6/1905	Buell .....	169/39
921,205	5/1909	Cramer .....	239/524
1,401,196	12/1921	Miller et al. ....	239/524
1,736,256	11/1929	Doughty .....	169/37
1,801,459	4/1931	Slauter .....	239/524 X
2,058,823	10/1936	Pigott .....	239/518
2,711,925	6/1955	King .....	239/516 X
3,061,204	10/1962	MacInnes et al. ....	239/500

3,586,244 6/1971 Johnson ..... 239/524

*Primary Examiner*—James R. Largen  
*Attorney, Agent, or Firm*—Cushman, Darby & Cushman

[57] **CLAIM**

The ornamental design for a sprinkler head, as shown and described.

**DESCRIPTION**

FIG. 1 is a perspective view taken from the front, top and right side of a sprinkler head showing my new design;

FIG. 2 is a left side elevational view thereof;

FIG. 3 is a bottom plan view thereof;

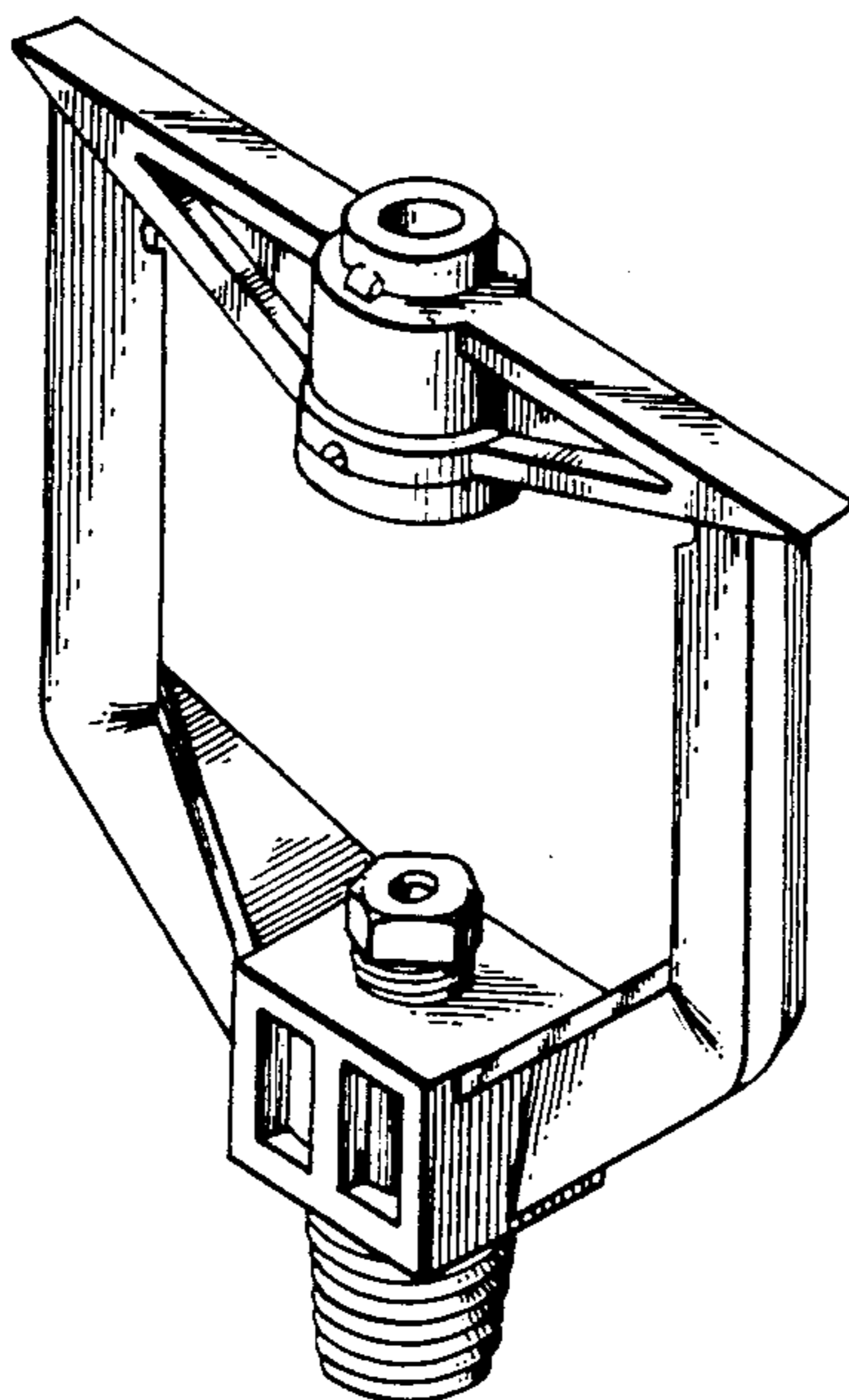
FIG. 4 is a rear elevational view thereof;

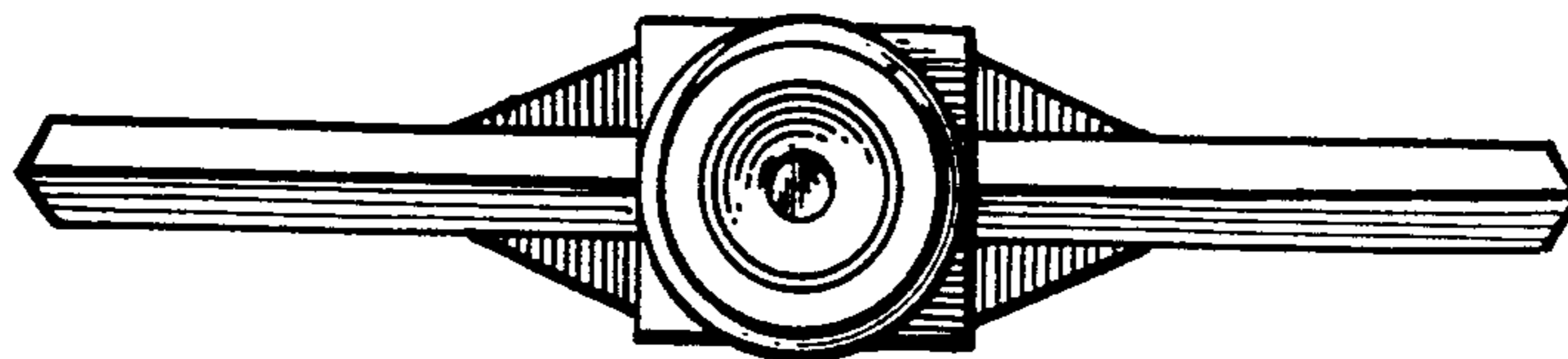
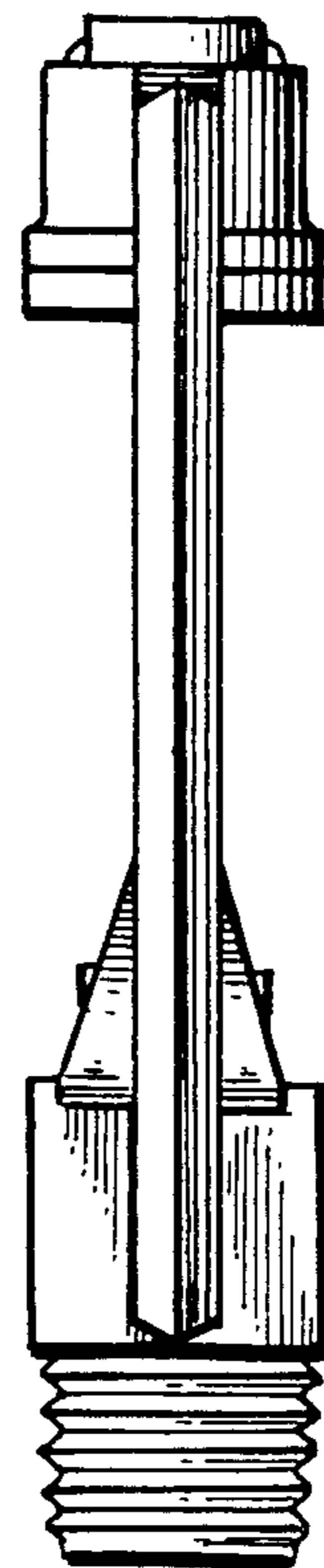
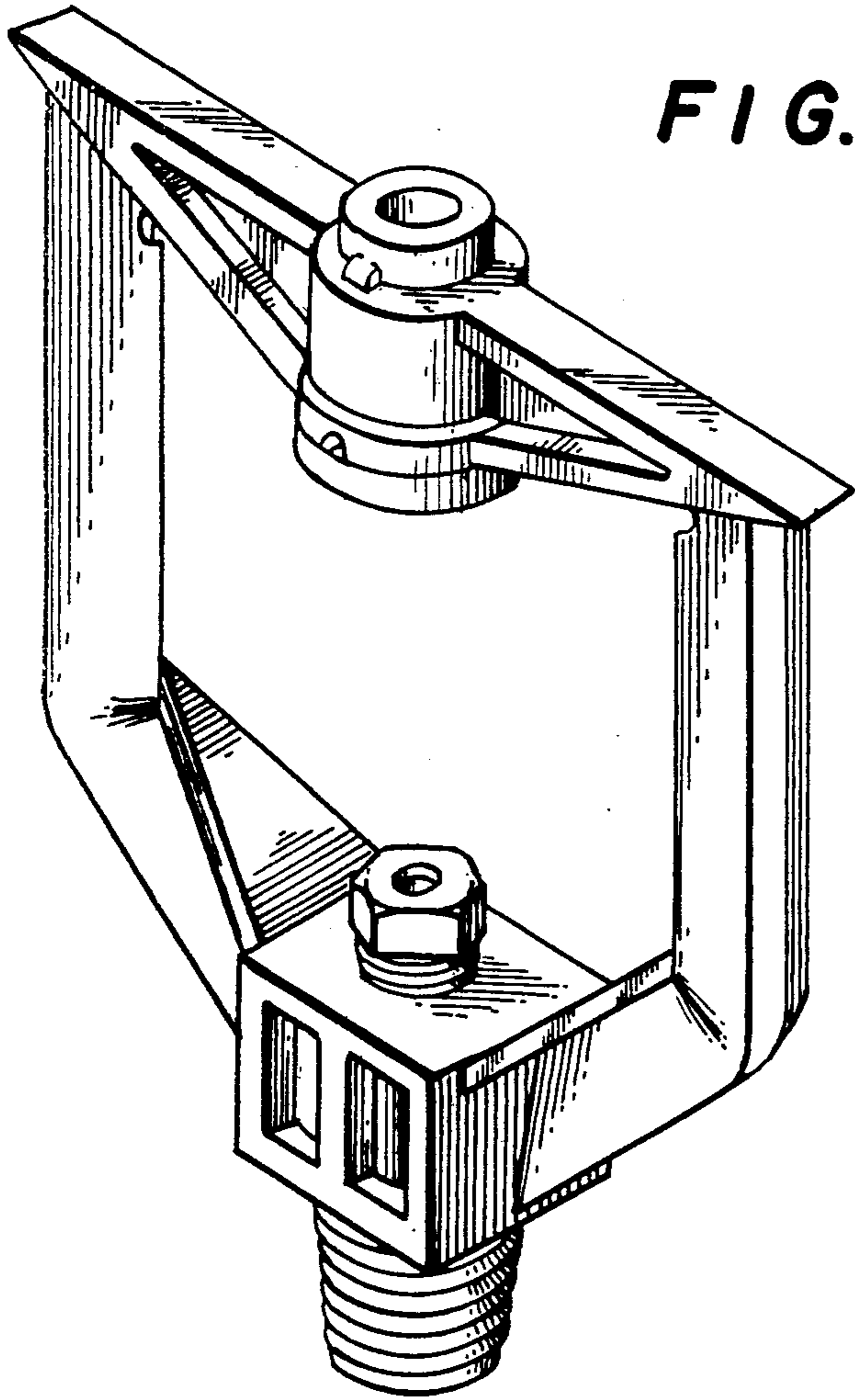
FIG. 5 is a cross sectional view taken on line 5—5 of FIG. 4;

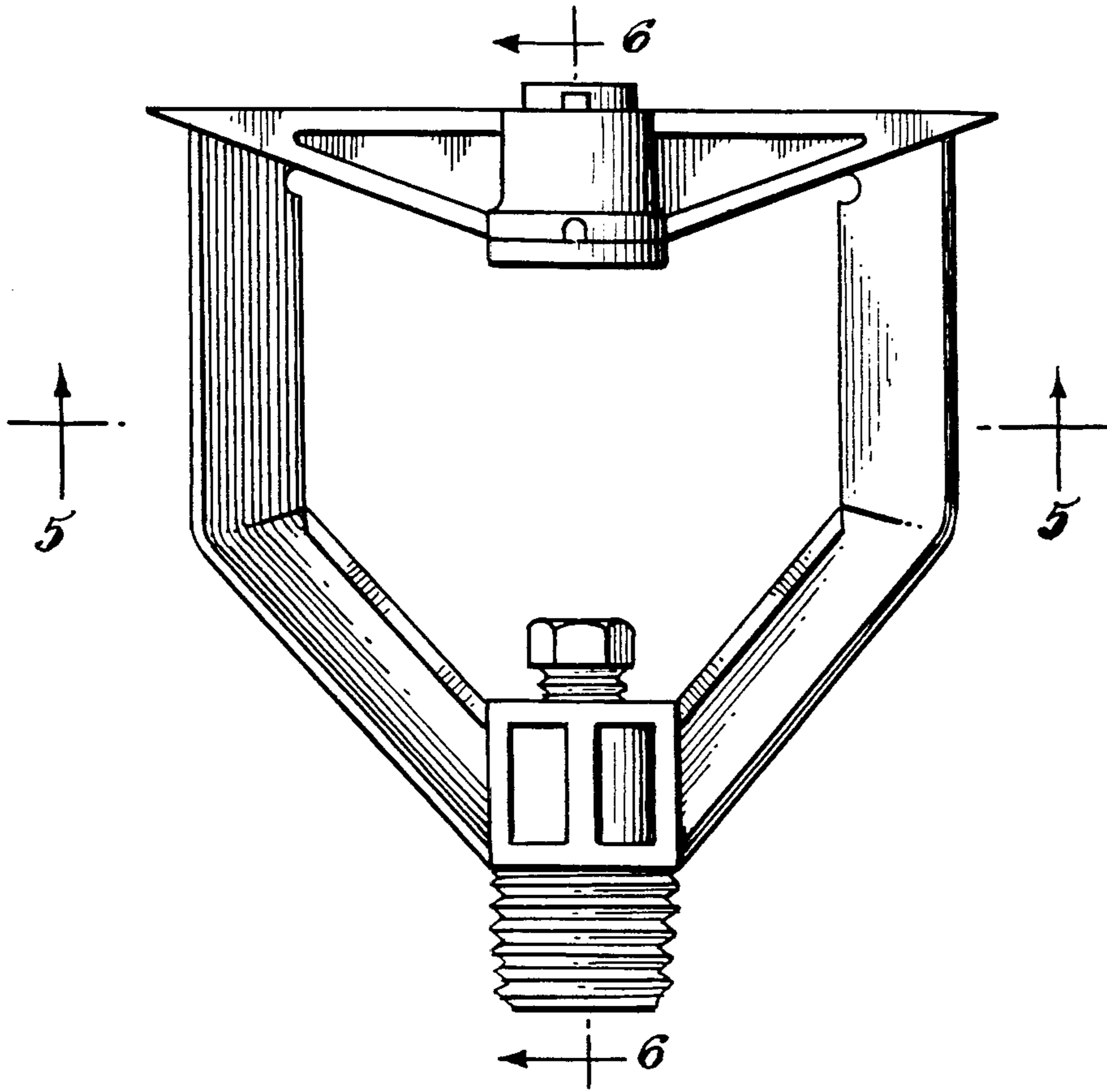
FIG. 6 is a cross sectional view taken on line 6—6 of FIG. 4;

FIG. 7 is a fragmentary view, part in section, showing a modified form of the sprinkler head shown in FIG. 1, the modification residing only in the bottom configuration of the top center insert; and

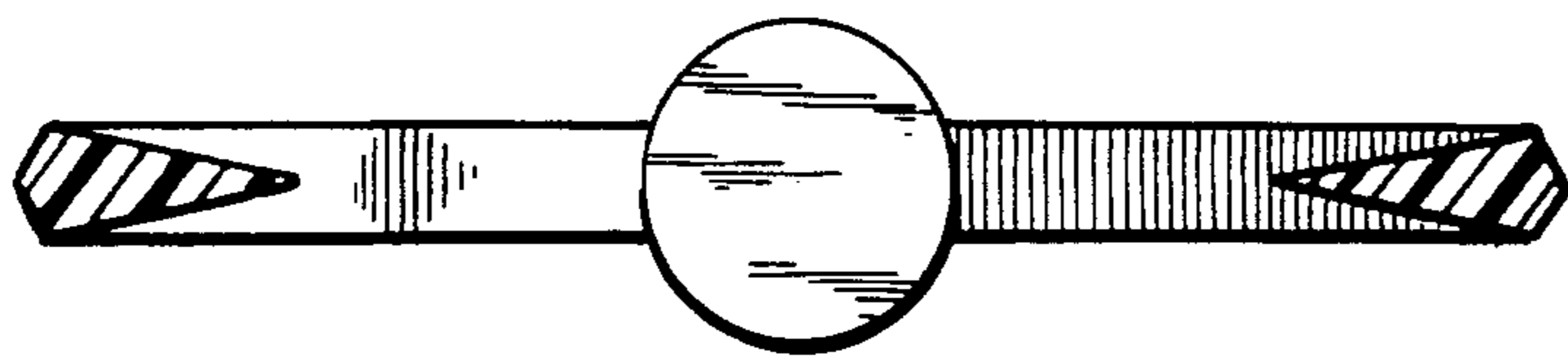
FIG. 8 is a fragmentary view, part in section, showing a second modified form of the sprinkler head shown in FIG. 1, the modification residing only in the bottom configuration of the top center insert.



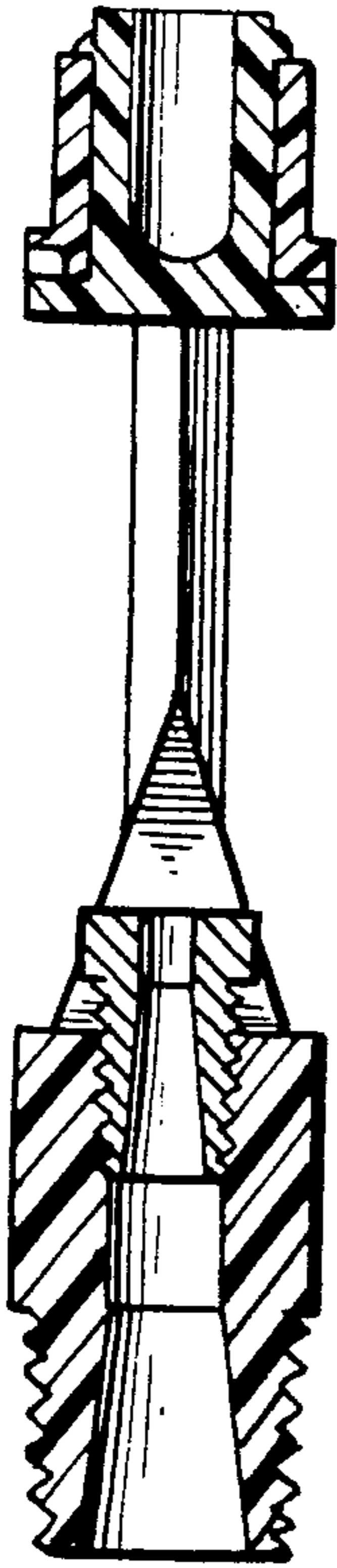




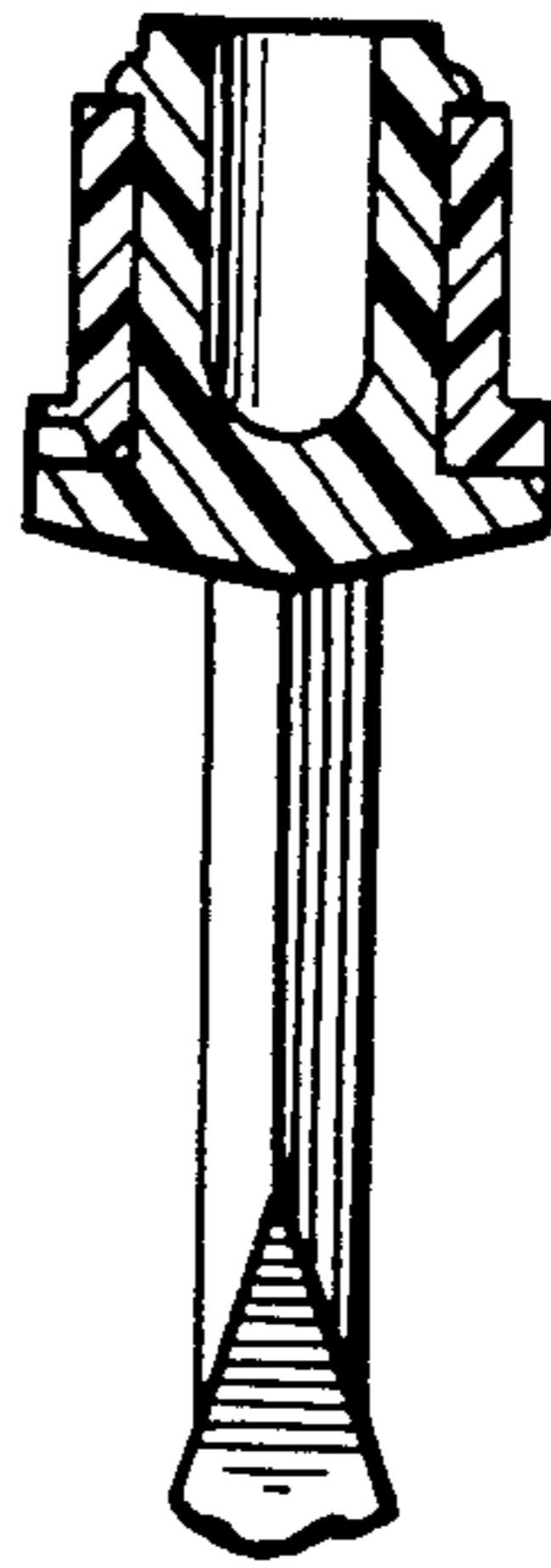
**FIG. 4**



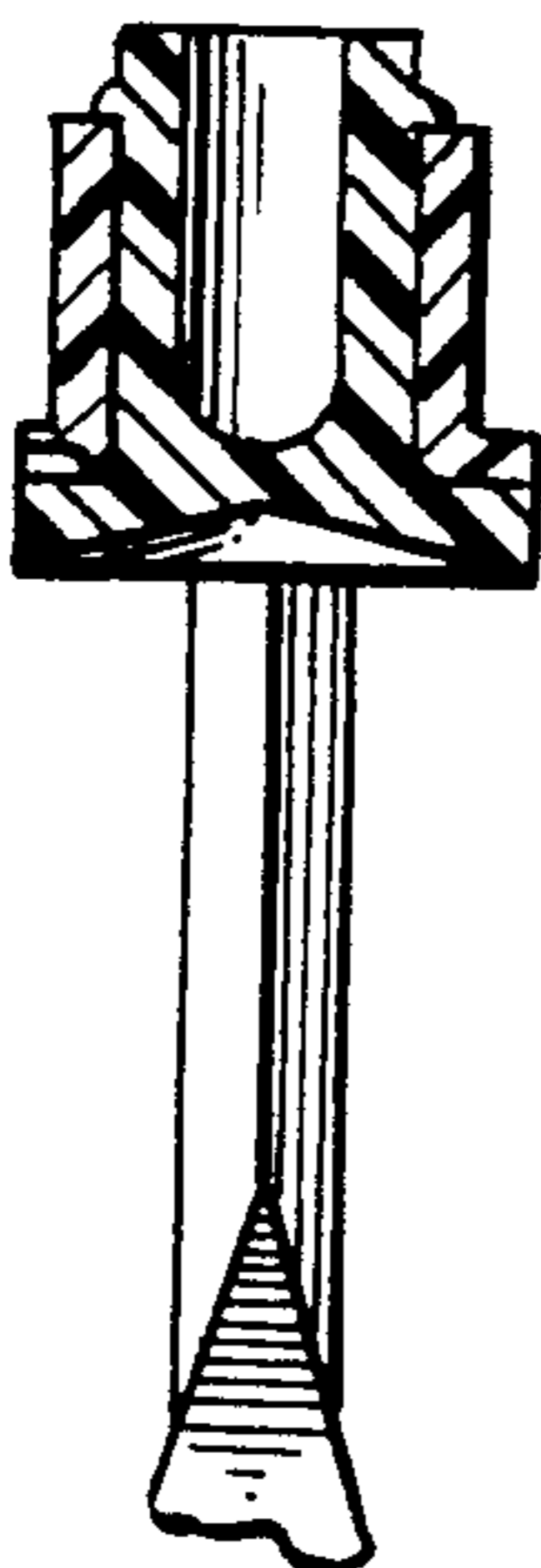
**FIG. 5**



**FIG. 6**



**FIG. 7**



**FIG. 8**