

[54] **COMBINED SELF-RIGHTING SINKER AND LURE SUPPORT WITH TRAILING LEGS**

[76] Inventors: **Robert J. Dickinson**, 501 S. Wisconsin; **James L. Wagner**, 515 E. Fourth, both of, Mitchell, S. Dak. 57301

[**] Term: **14 Years**

[21] Appl. No.: **45,997**

[22] Filed: **Jun. 6, 1979**

[51] Int. Cl. **D22-05**

[52] U.S. Cl. **D22/30; D22/27**

[58] Field of Search **43/43.15, 42.4, 42.11; D22/27, 28, 30**

[56] **References Cited**

U.S. PATENT DOCUMENTS

D. 101,502	10/1936	Moitoza	D22/30
D. 162,660	3/1951	Humphrey	D22/30
D. 190,177	4/1961	Owens	D22/28
D. 247,571	3/1978	Foster	D22/27
D. 247,572	3/1978	Foster	D22/27

2,157,819	5/1939	Eckert	43/27
2,577,143	12/1951	Midland	43/43.15
2,591,294	4/1952	Ripich	43/43.15
2,788,606	4/1957	Boggs	D22/27 X
2,798,332	7/1957	Garrison	D22/27 X
2,814,151	11/1957	Knapton	43/43.15
3,118,245	1/1964	Shriver	43/43.15
3,783,549	1/1974	Griggs	43/42.4
3,798,824	3/1974	Nikota	43/43.15
4,161,838	7/1979	Gapen	43/42.11

Primary Examiner—A. Hugo Word
Attorney, Agent, or Firm—Kinney, Lange, Braddock, Westman and Fairbairn

[57] **CLAIM**

The ornamental design for a combined self-righting sinker and lure support with trailing legs, as shown.

DESCRIPTION

FIG. 1 is a perspective view of a combined self-righting sinker and lure support with trailing legs, showing our new design;

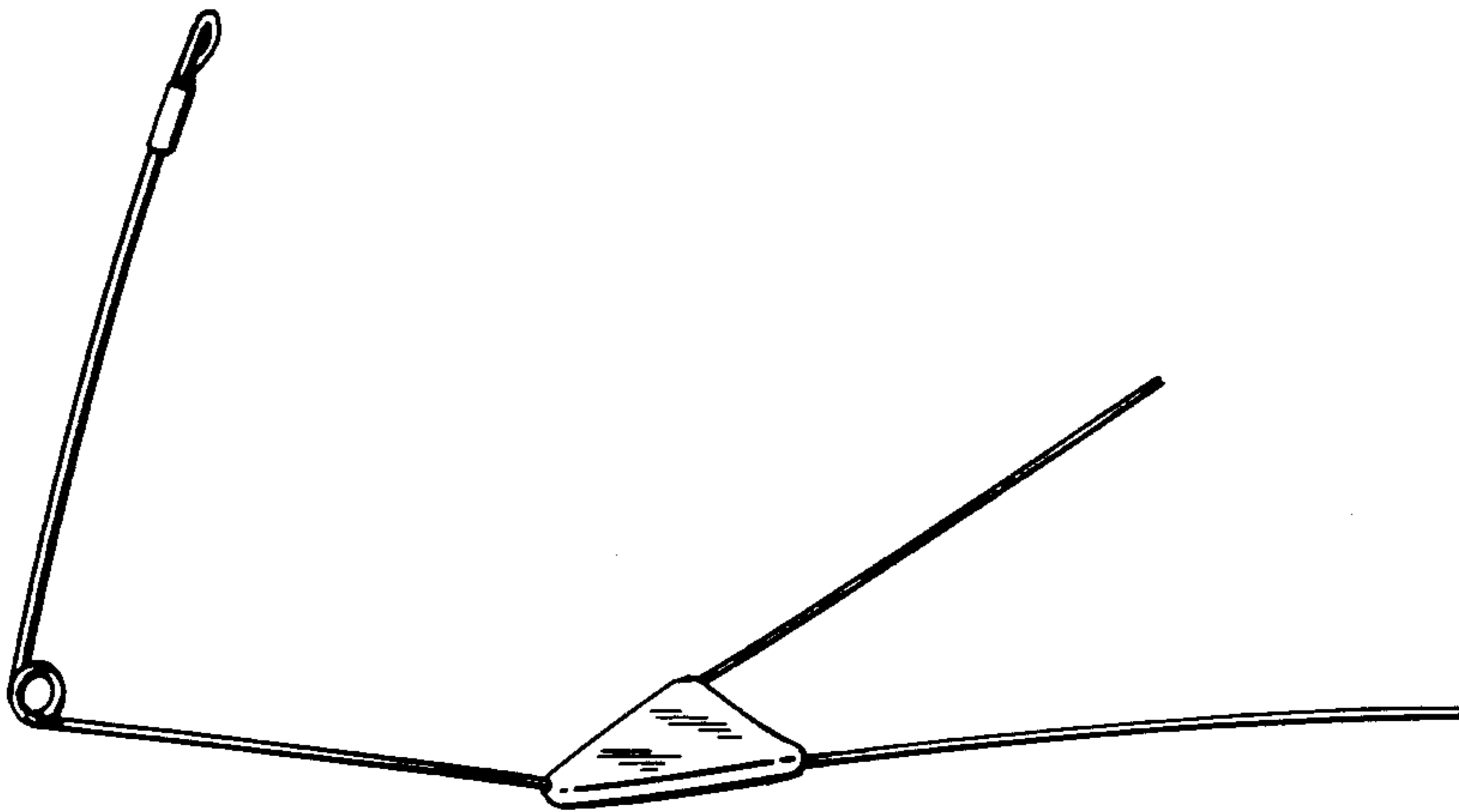
FIG. 2 is a front elevational view thereof;

FIG. 3 is a rear elevational view thereof;

FIG. 4 is a left side elevational view thereof;

FIG. 5 is a top view thereof; and

FIG. 6 is a bottom view thereof.



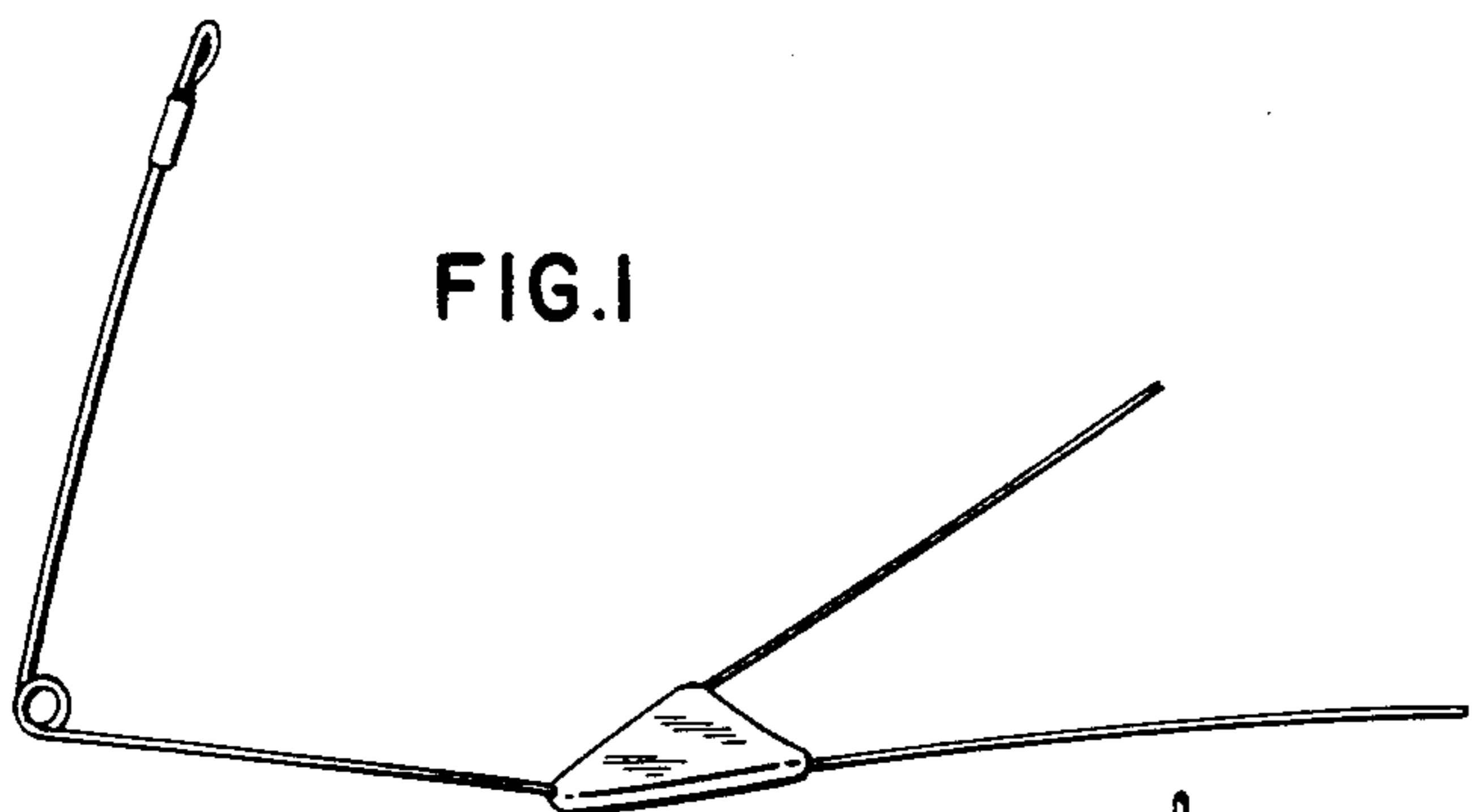


FIG. 1

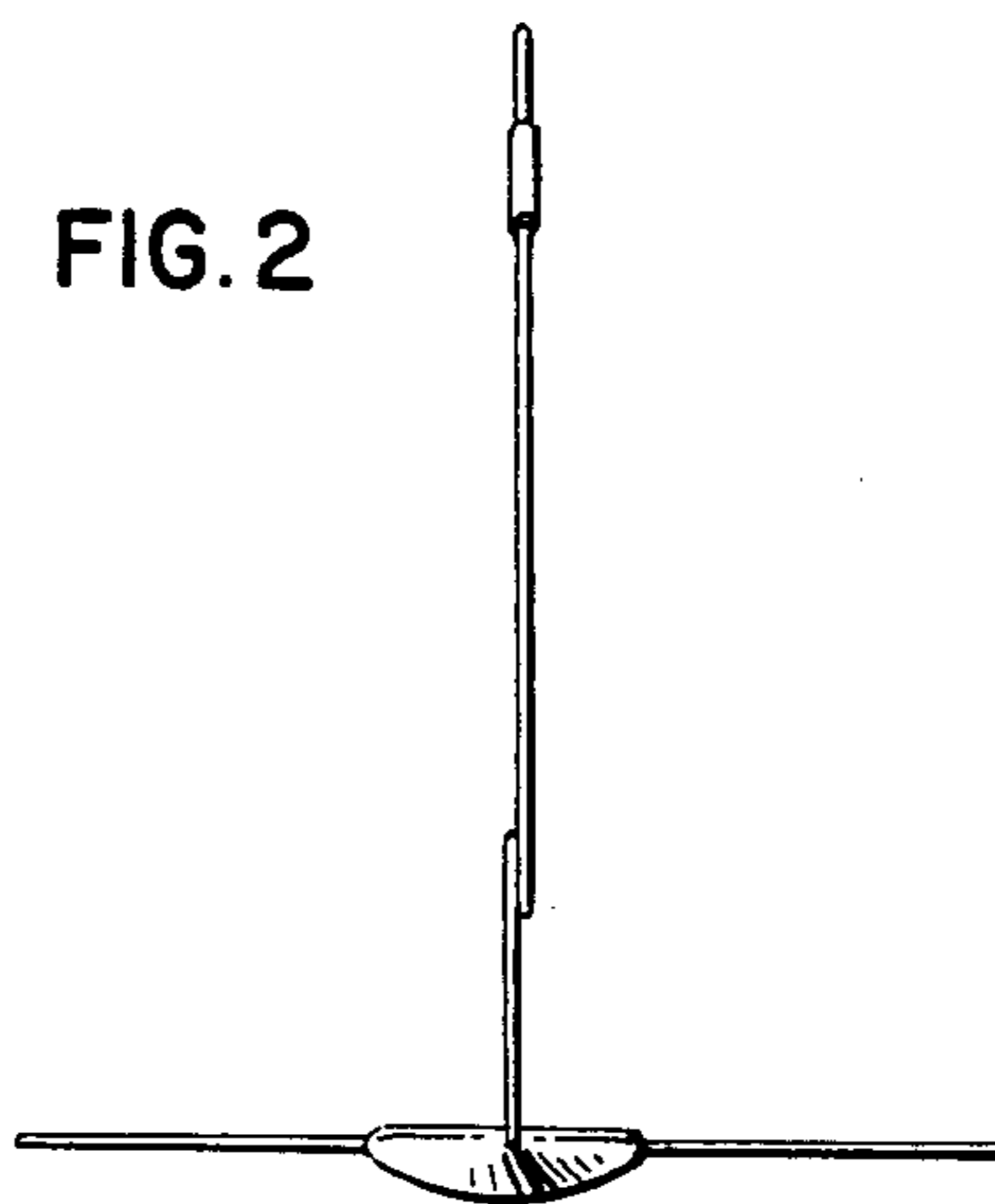


FIG. 2

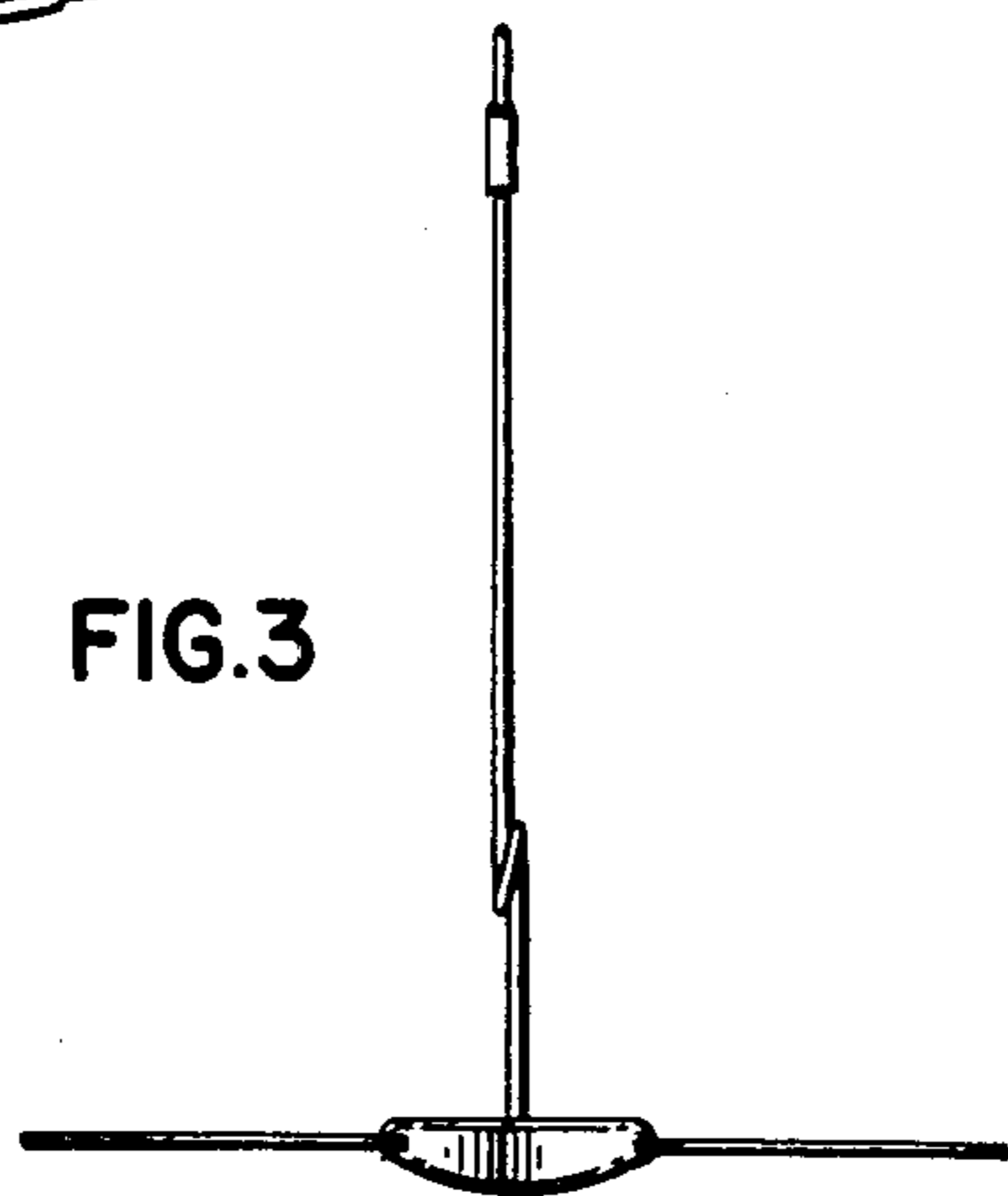


FIG. 3

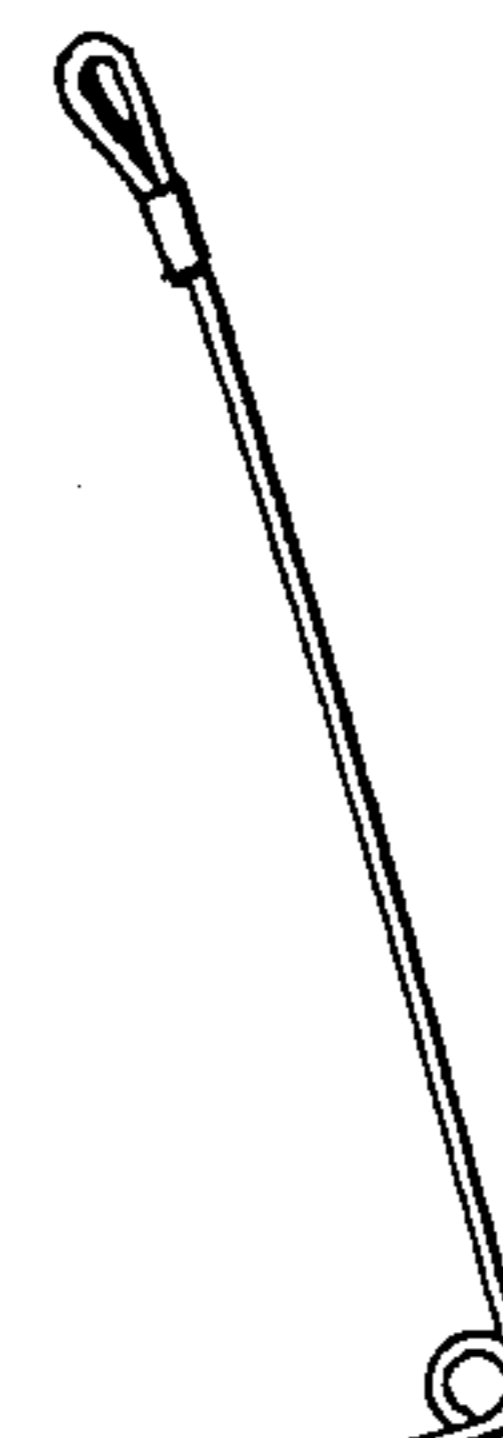


FIG. 4



FIG. 5

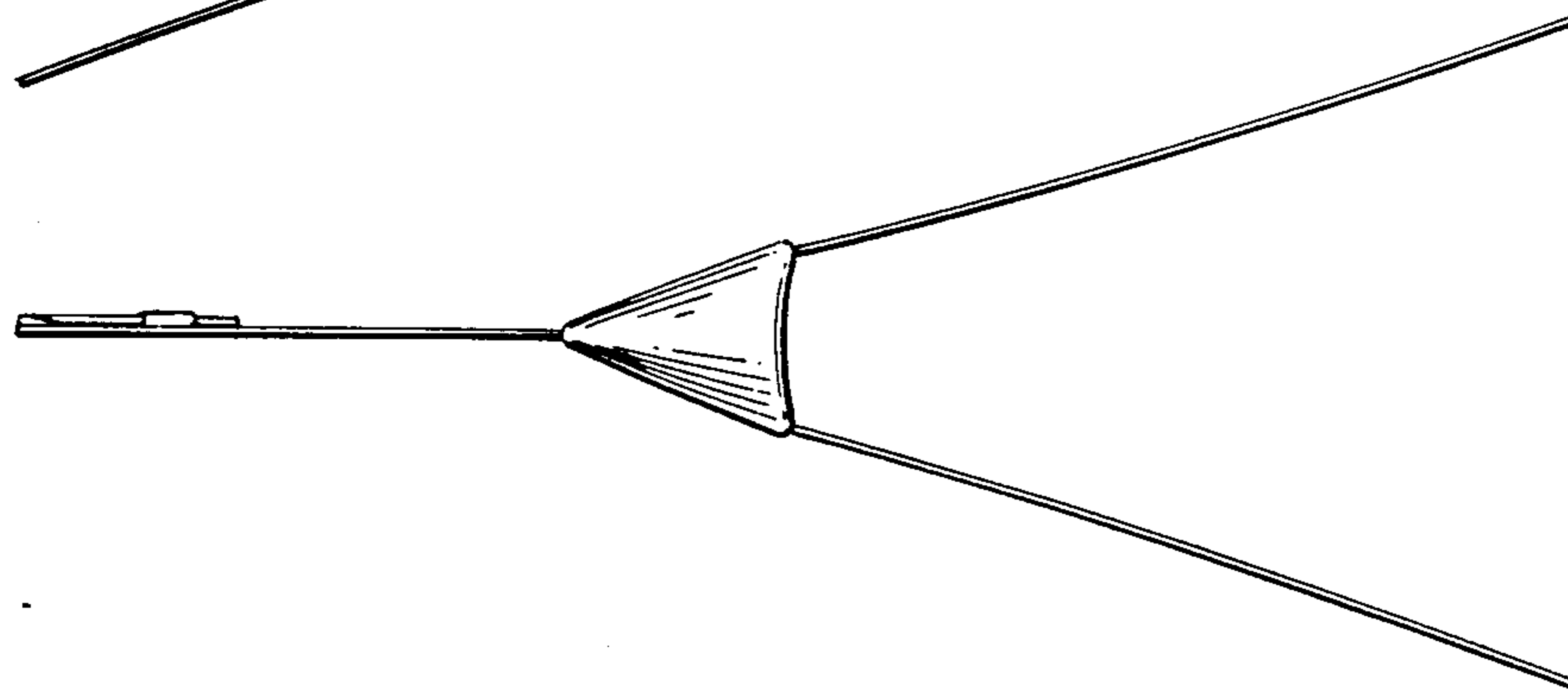
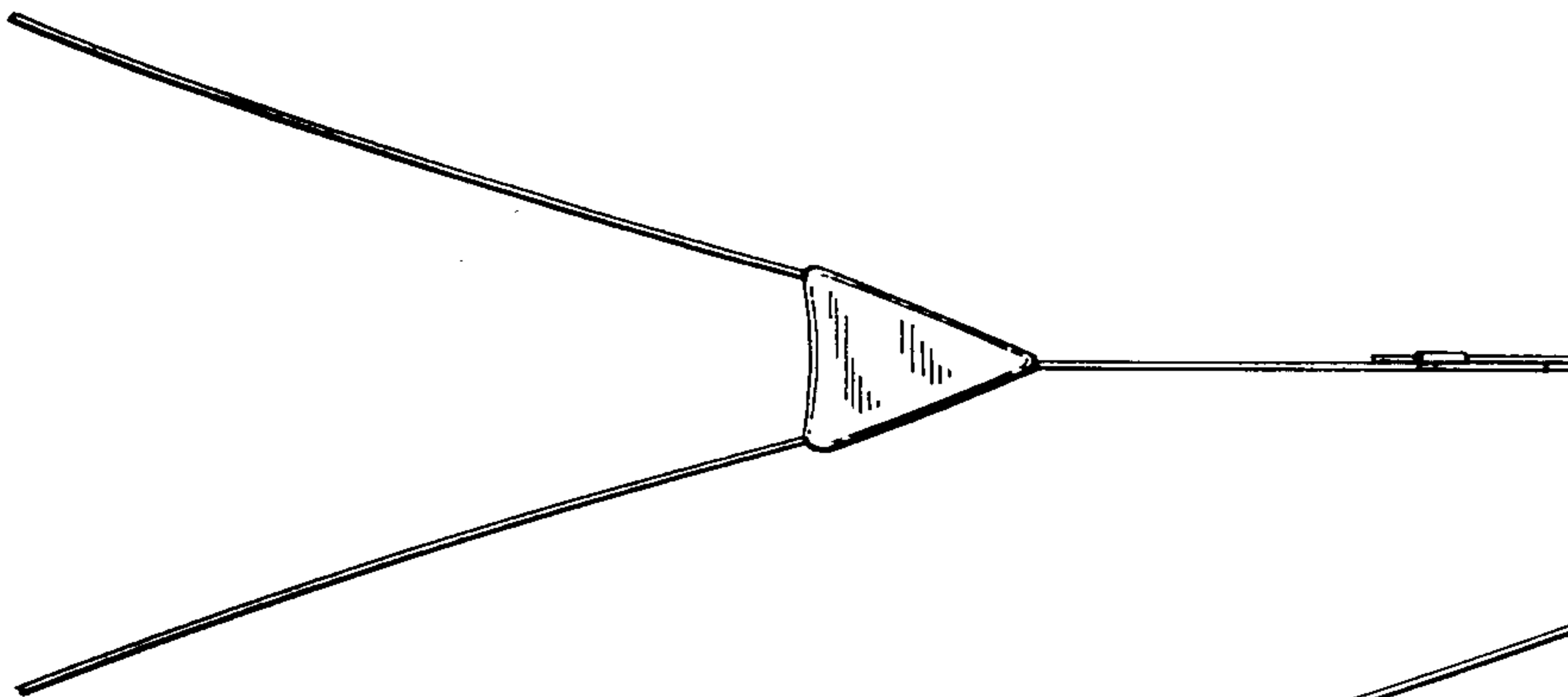


FIG. 6