

[54] HANDGUN SUPPORT CLIP

3,156,059 11/1964 Crain 42/71 P

[76] Inventor: Cecil O. Pharr, Jr., 2272 La Vista Woods Dr., Tucker, Ga. 30084

Primary Examiner—A. Hugo Word
Attorney, Agent, or Firm—Patrick F. Henry

[**] Term: 14 Years

[57] CLAIM

[21] Appl. No.: 937,491

The ornamental design for a handgun support clip, as shown.

[22] Filed: Aug. 28, 1978

DESCRIPTION

[51] Int. Cl. D22—01

FIG. 1 is a top plan view of the handgun support clip. FIG. 2 is a front end elevation view of the support clip shown in FIG. 1.

[52] U.S. Cl. D22/7

[58] Field of Search 42/71 R, 71 P, 1 R, 42/1 A, 90, 94, 59, 83, 85, 65, 66; D22/1, 7

FIG. 3 is a side elevation view of one side of the support clip shown in FIG. 1.

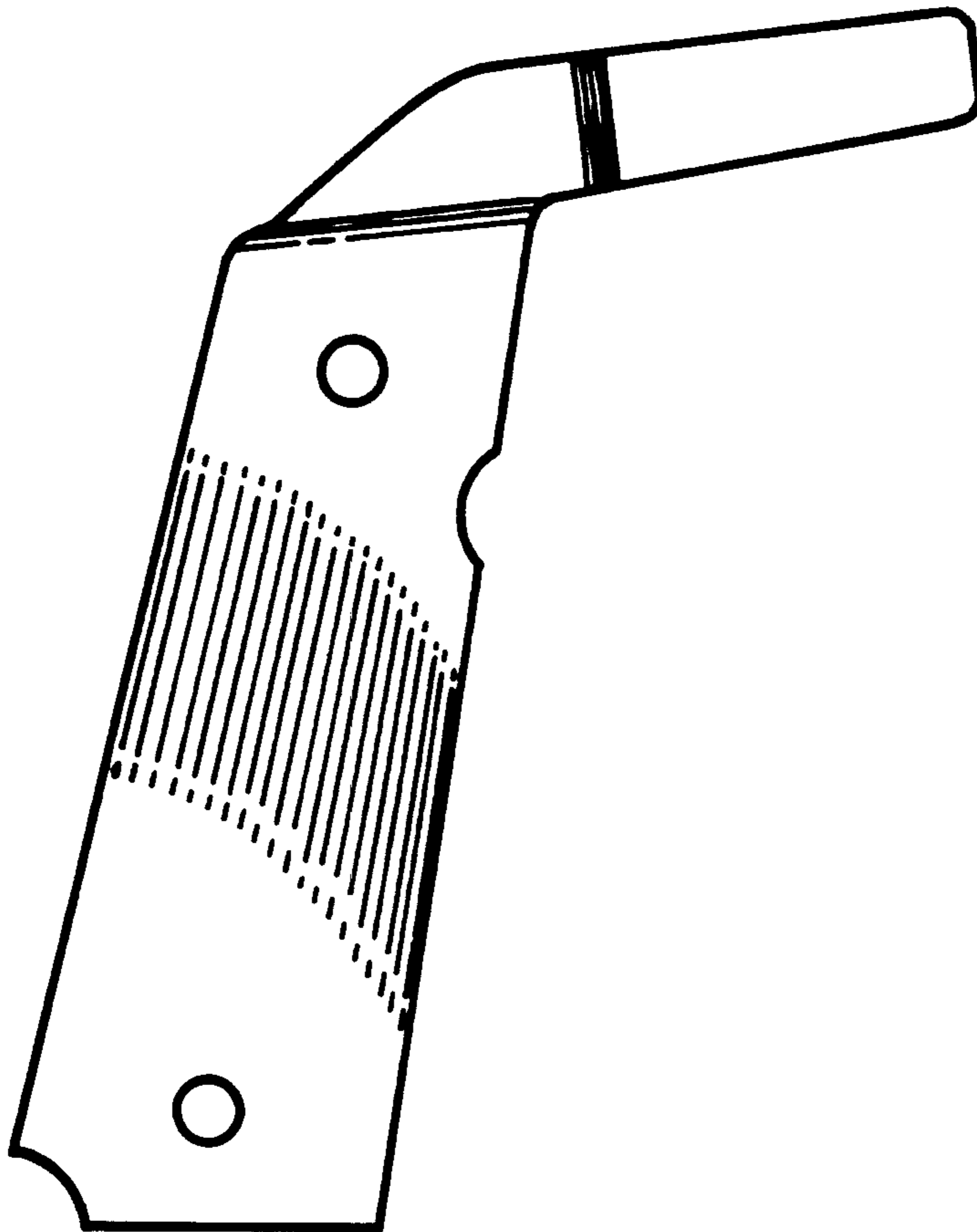
[56] References Cited

U.S. PATENT DOCUMENTS

2,320,450 6/1943 Valenzuela 42/71 P X

FIG. 4 is a rear end elevation view of the support clip shown in FIGS. 1 thru 3, inclusive.

FIG. 5 is a perspective view showing the other side of the support clip from that shown in FIG. 3.



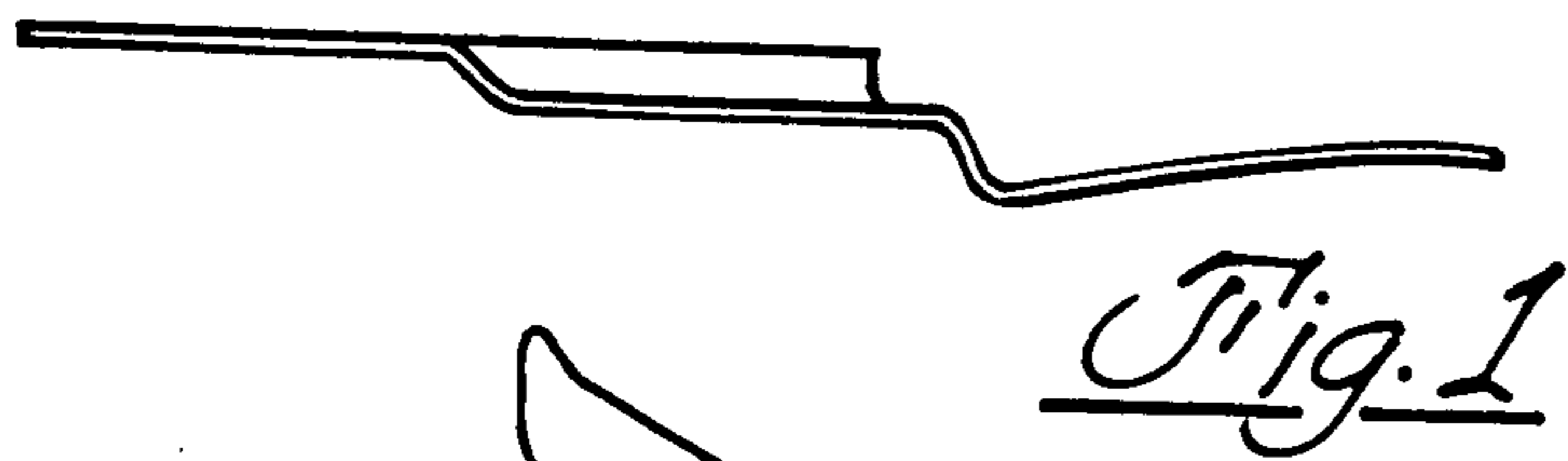


Fig. 5

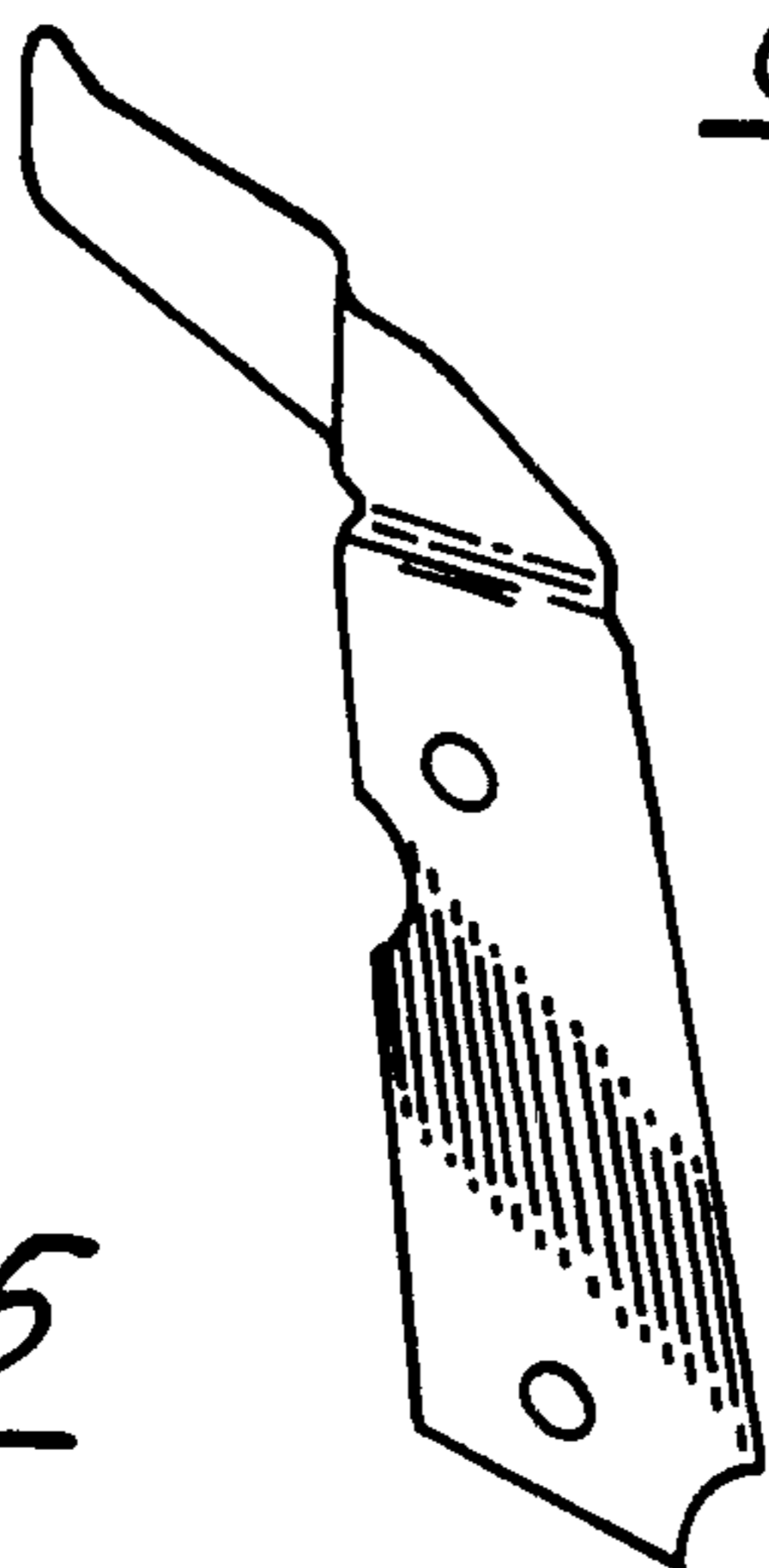


Fig. 2

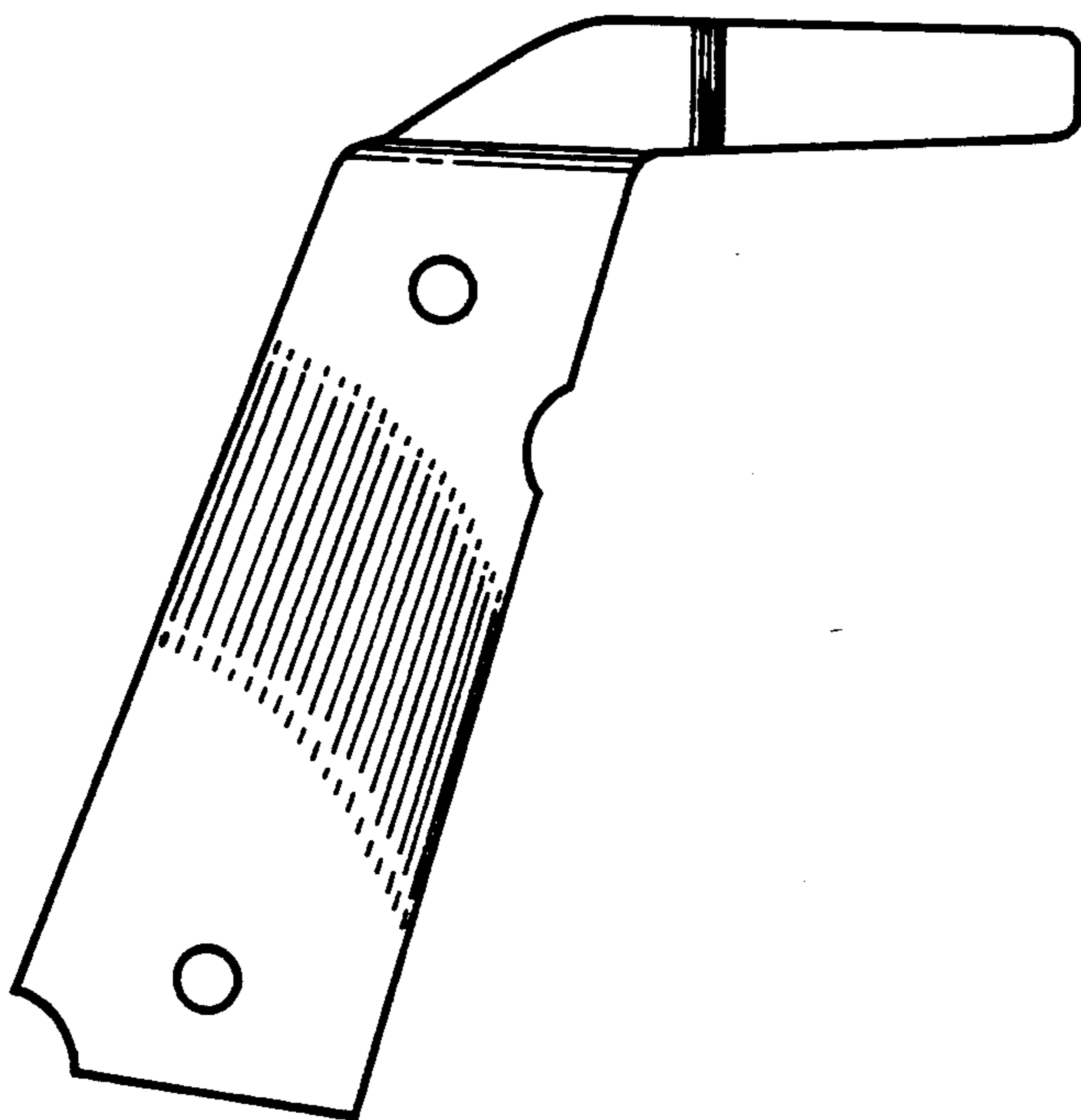


Fig. 3

Fig. 4

