

[54] VEHICLE CAB

[75] Inventor: Terry L. Puig, Salem, Oreg.

[73] Assignee: Towmotor Corporation, Mentor, Ohio

[**] Term: 14 Years

[21] Appl. No.: 55,589

[22] Filed: Jul. 9, 1979

[51] Int. Cl. D15-04

[52] U.S. Cl. D15/30; D12/61

[58] Field of Search D15/30; D12/61;
296/190; 180/89.12

[56] References Cited

U.S. PATENT DOCUMENTS

D. 249,254 9/1978 Martin, Sr. D12/61
4,079,985 3/1978 Martin 296/190

Primary Examiner—James M. Gandy
Attorney, Agent, or Firm—Alan J. Hickman

[57] CLAIM

The ornamental design for a vehicle cab, substantially as shown and described.

DESCRIPTION

FIG. 1 is a front, side perspective view of a vehicle cab embodying my new design;

FIG. 2 is a rear, side perspective view thereof;

FIG. 3 is a right side elevational view thereof;

FIG. 4 is a rear elevational view thereof;

FIG. 5 is a front elevational view thereof;

FIG. 6 is a top plan view thereof.

The side opposite to that shown in FIG. 3 is a mirror image thereof.

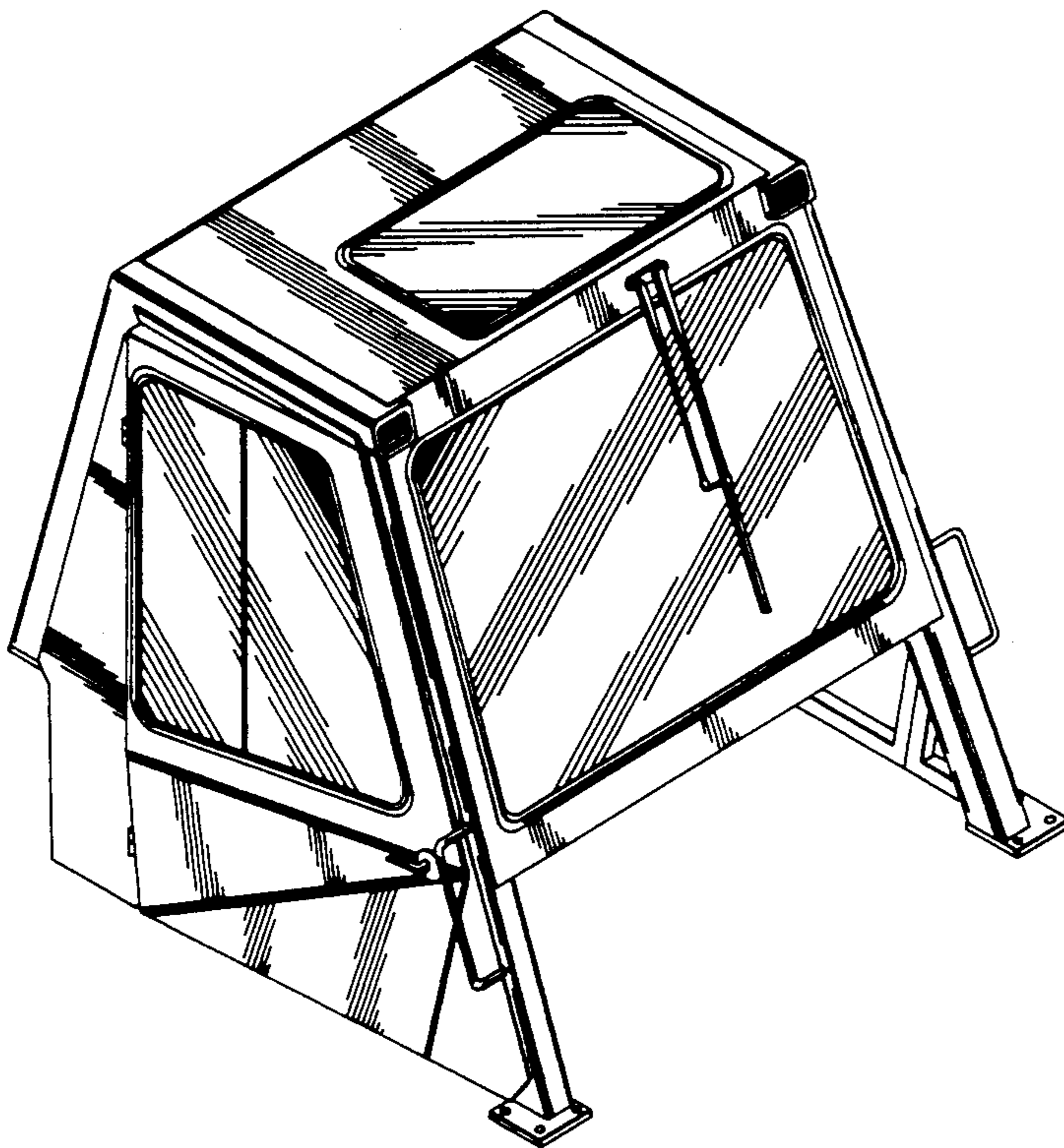


FIG. 1.

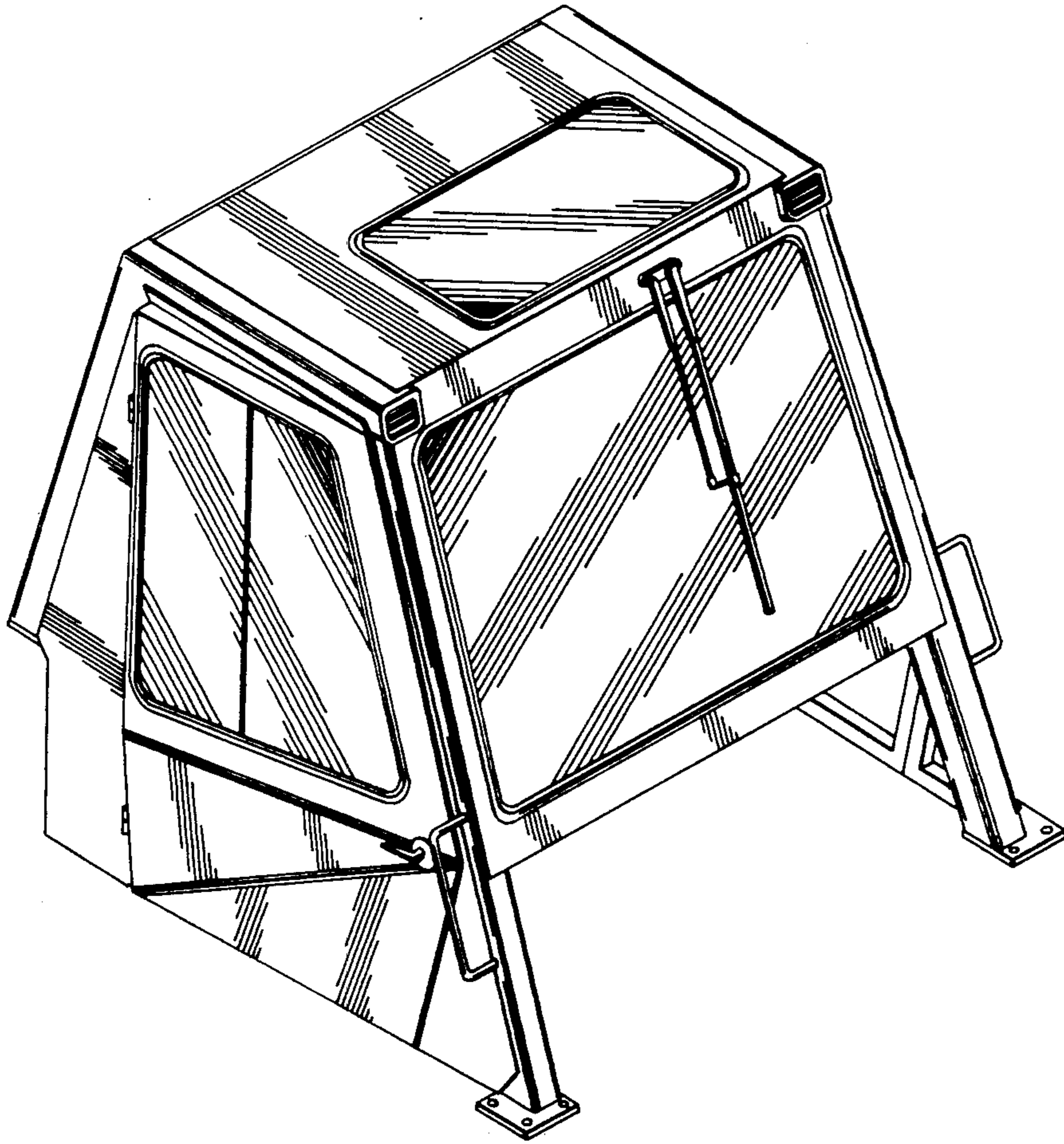


FIG. 2.

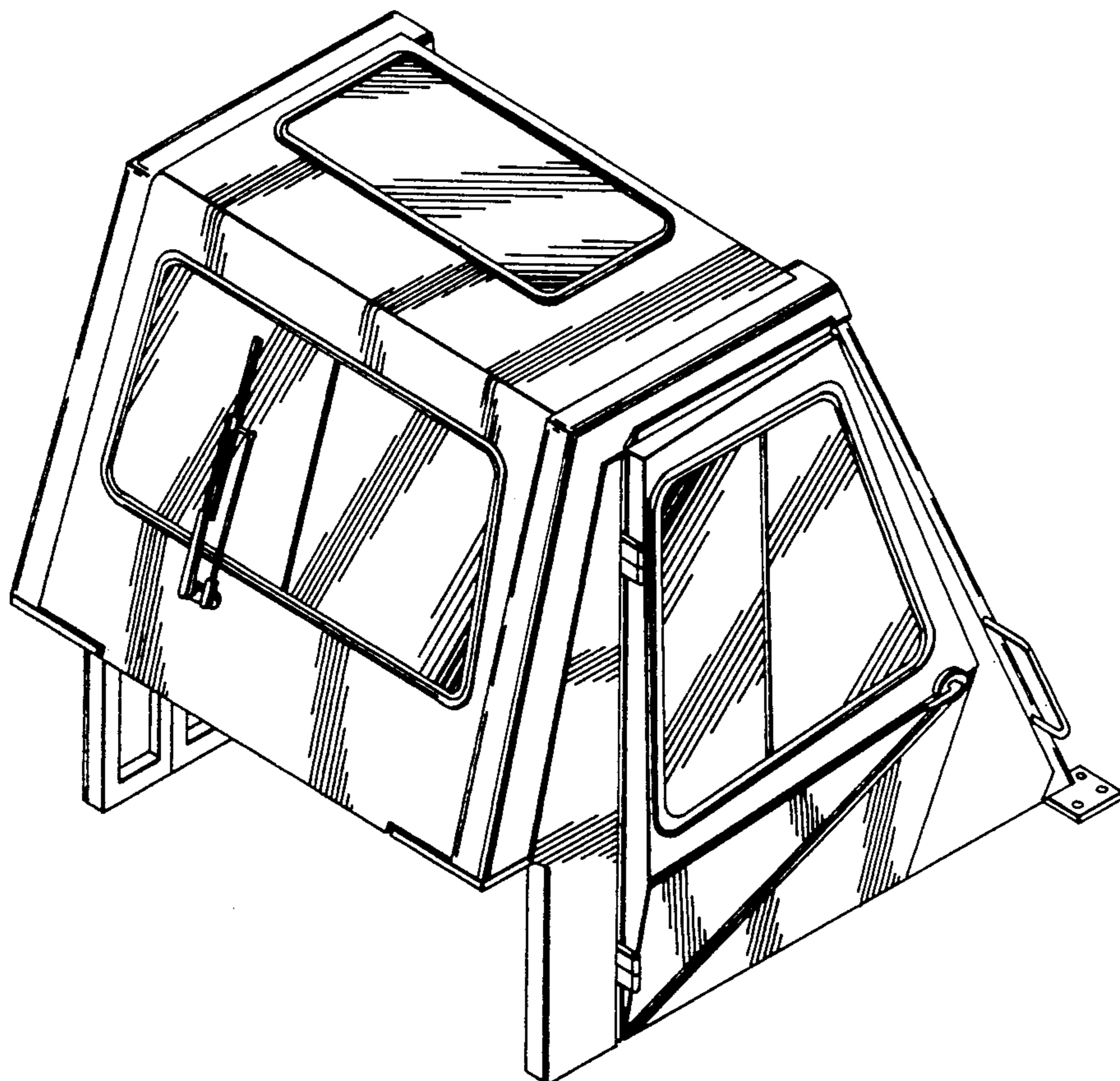


FIG. 3.

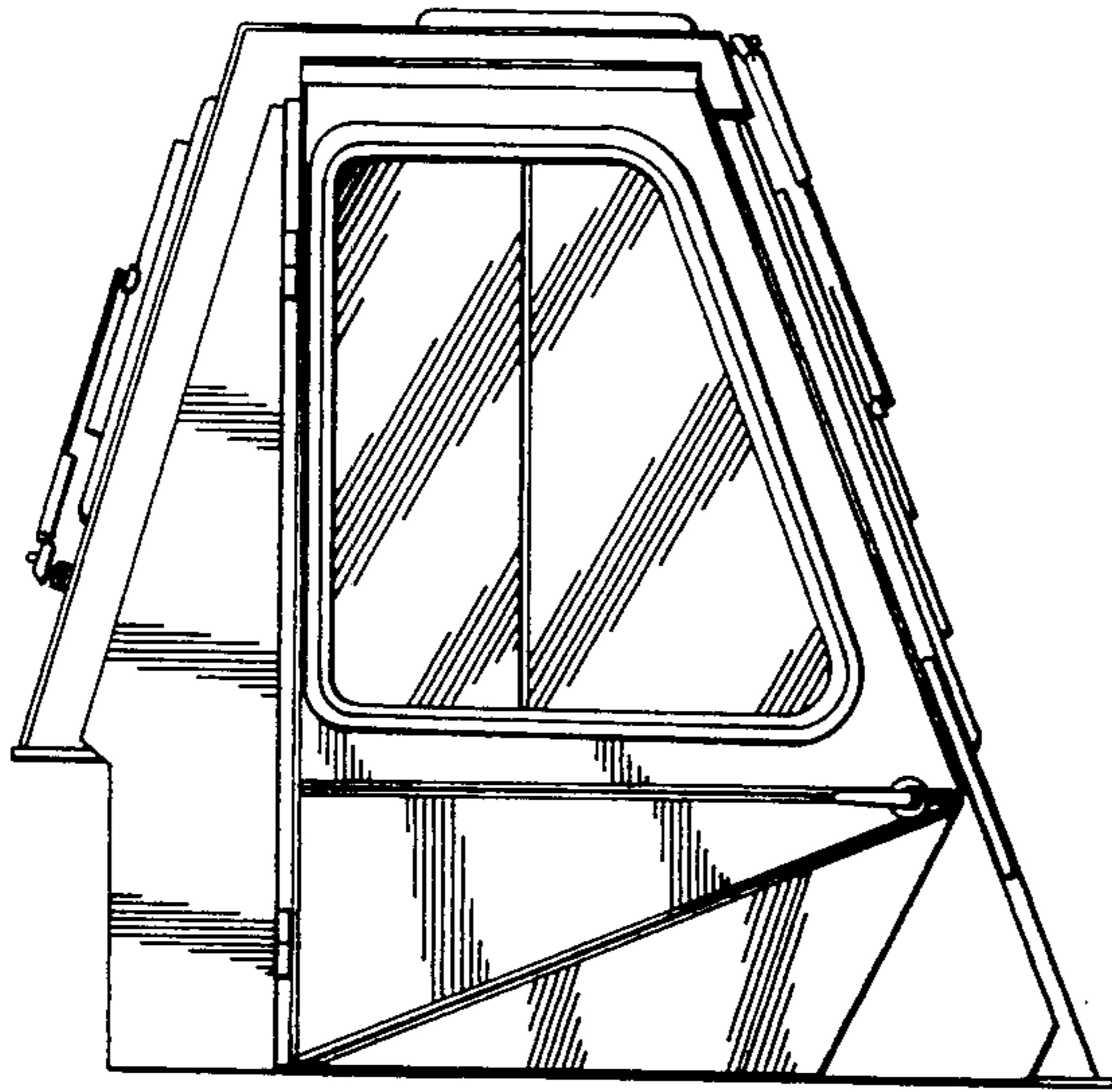


FIG. 4.

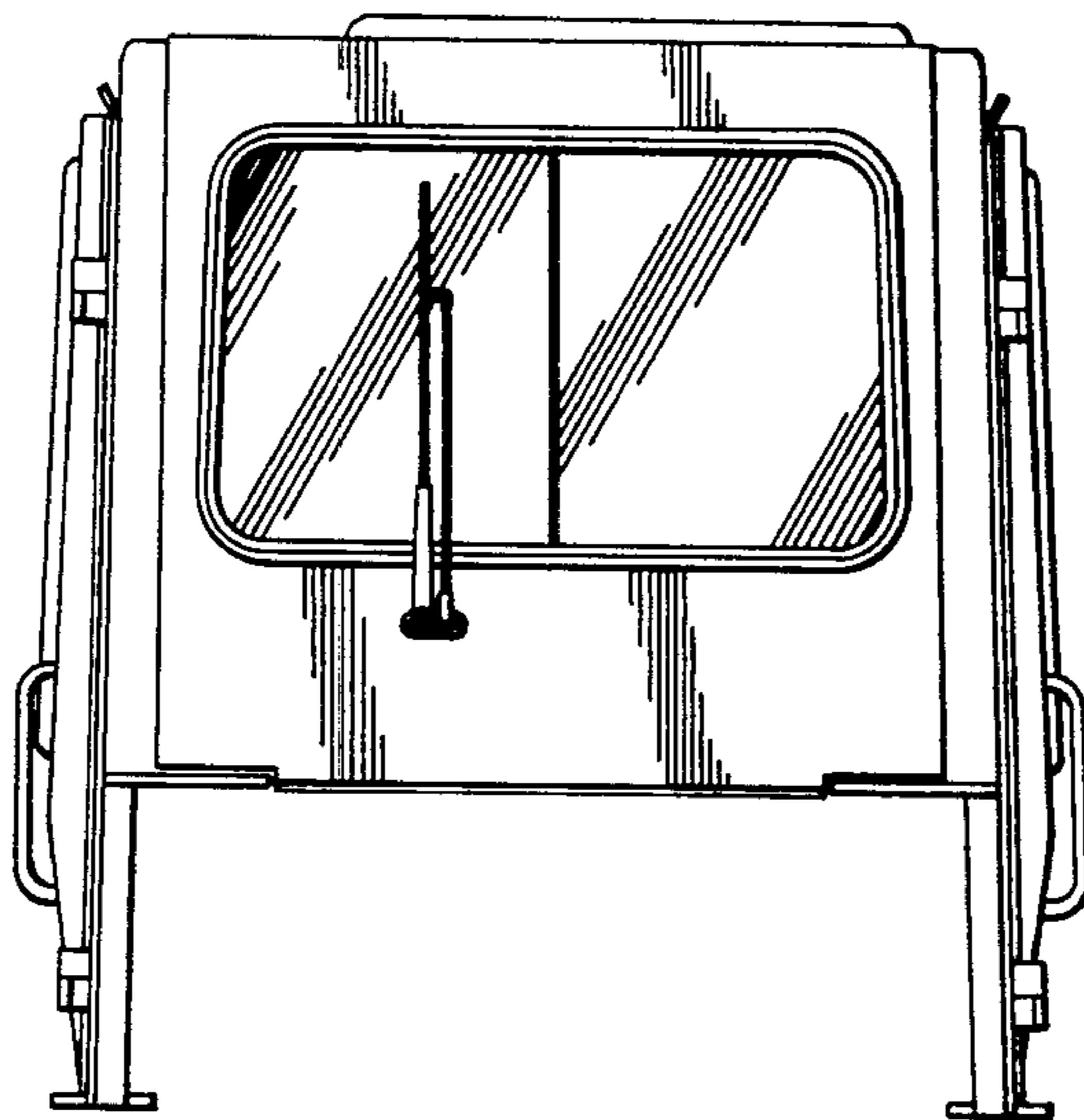


FIG.5.

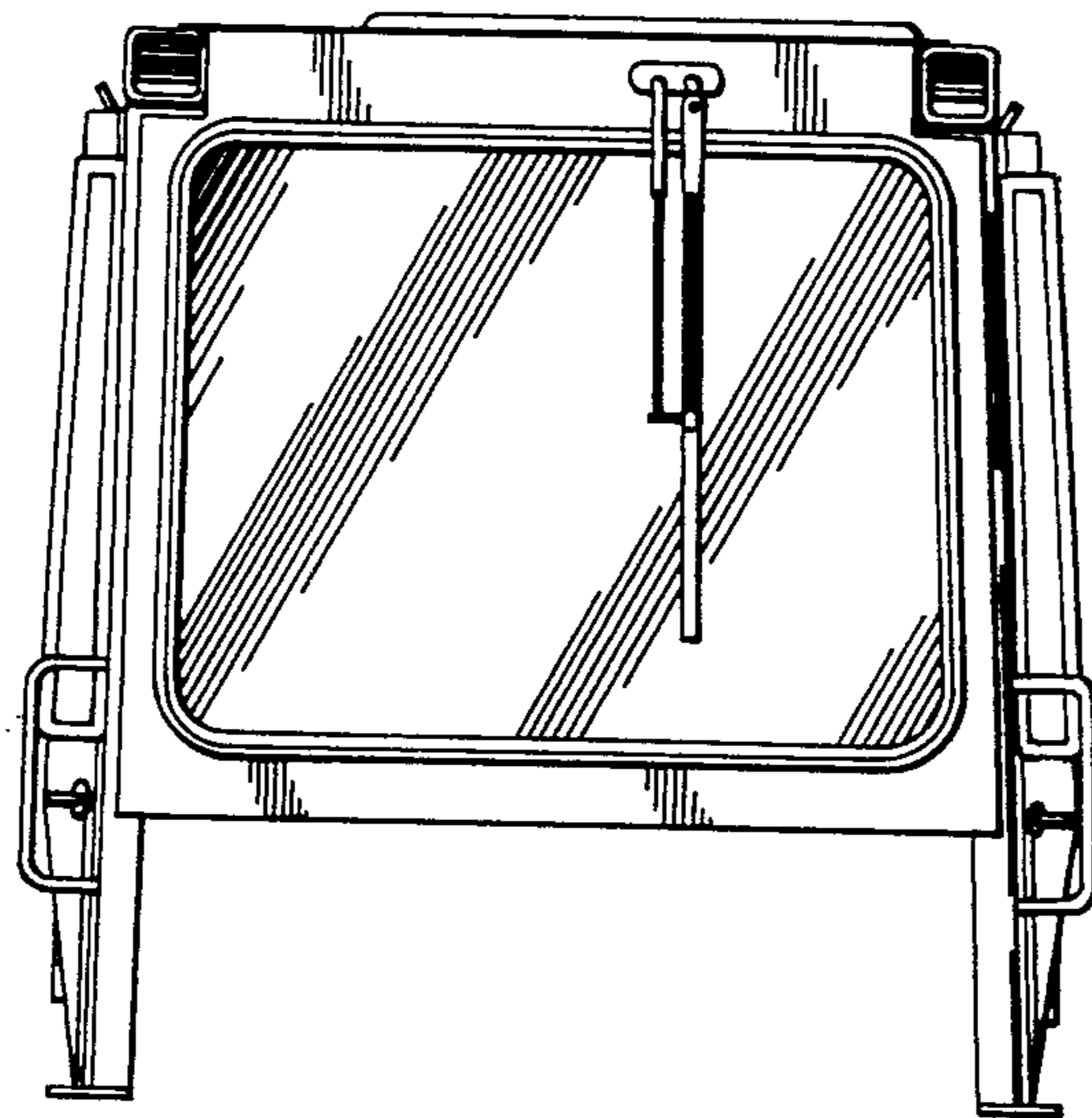


FIG.6.

