

[54] TOOL BOX FOR A VEHICLE OR THE LIKE

[76] Inventor: John Rehkopf, 1050 Leith, Maumee, Ohio 43537

[\*\*] Term: 14 Years

[21] Appl. No.: 921,876

[22] Filed: Jul. 3, 1978

[51] Int. Cl. .... D12-16

[52] U.S. Cl. .... D12/157; D3/78

[58] Field of Search ..... D12/156, 157; D3/30, D3/69, 74, 78, 72; D9/232, 246; 224/42.42 R, 42.11, 273; 296/37.6, 37.1; D30/13

[56] References Cited

U.S. PATENT DOCUMENTS

D. 232,743	9/1974	Mangrum .....	D30/13
D. 238,113	12/1975	Hart .....	D3/78
3,640,423	2/1972	Parker et al. ....	296/37.6
3,854,621	12/1974	Parry .....	296/37.6

OTHER PUBLICATIONS

J. C. Whitney Cat. No. 365 D ©1977, p. 52, Item "A".  
Telephony 1/7/74, p. 81, top right of page.

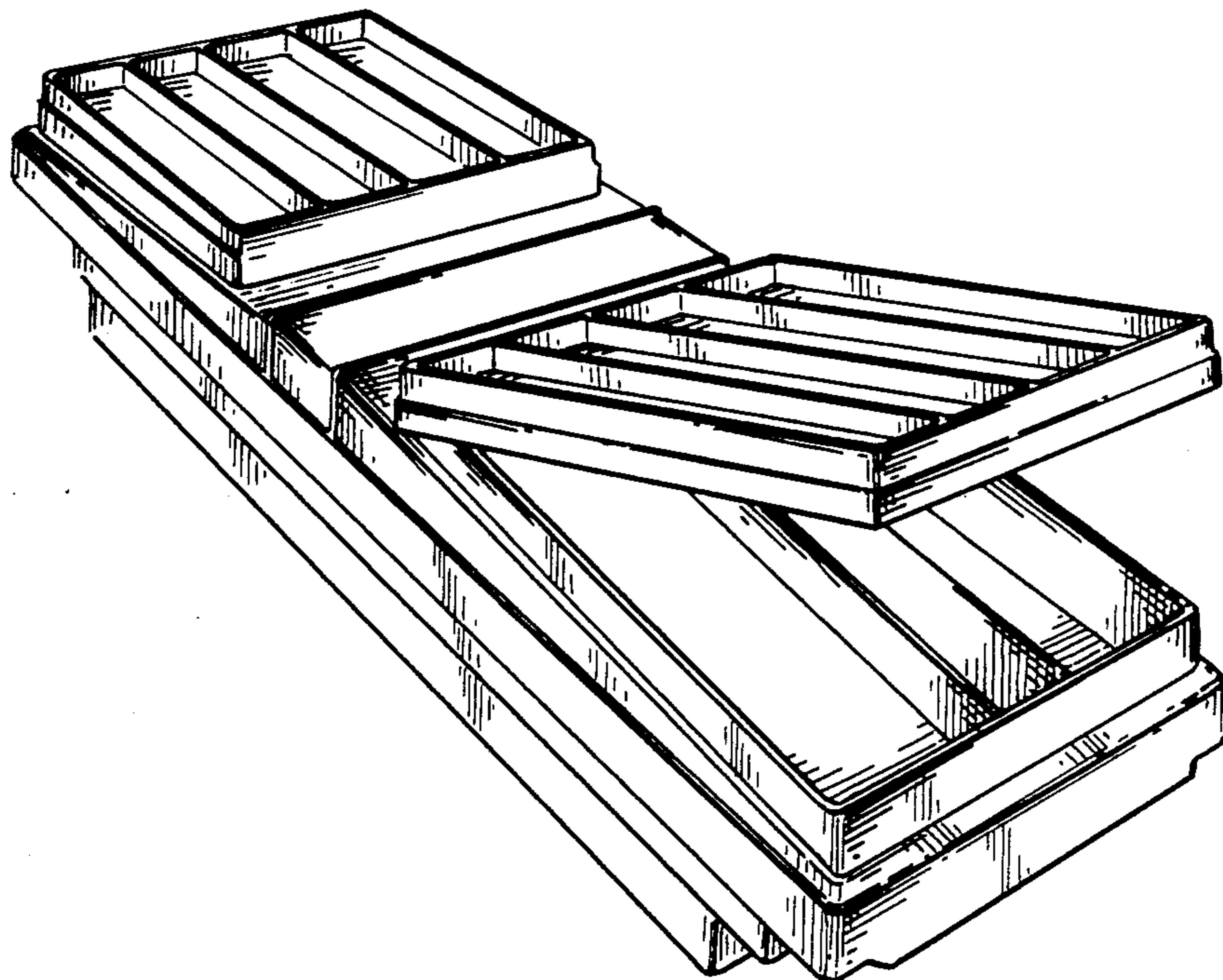
Primary Examiner—George P. Word  
Attorney, Agent, or Firm—George R. Royer

[57] CLAIM

The ornamental design for tool box for a vehicle or the like, as shown and described.

DESCRIPTION

FIG. 1 is a perspective view of a tool box for a vehicle or the like showing my new design with one of the compartment covers partially raised;  
FIG. 2 is a top plan view thereof with the covers closed;  
FIG. 3 is a side elevational view thereof;  
FIG. 4 is a bottom plan view thereof;  
FIG. 5 is an end elevational view thereof; and  
FIG. 6 is a cross-sectional view taken along line 6—6 of FIG. 3.



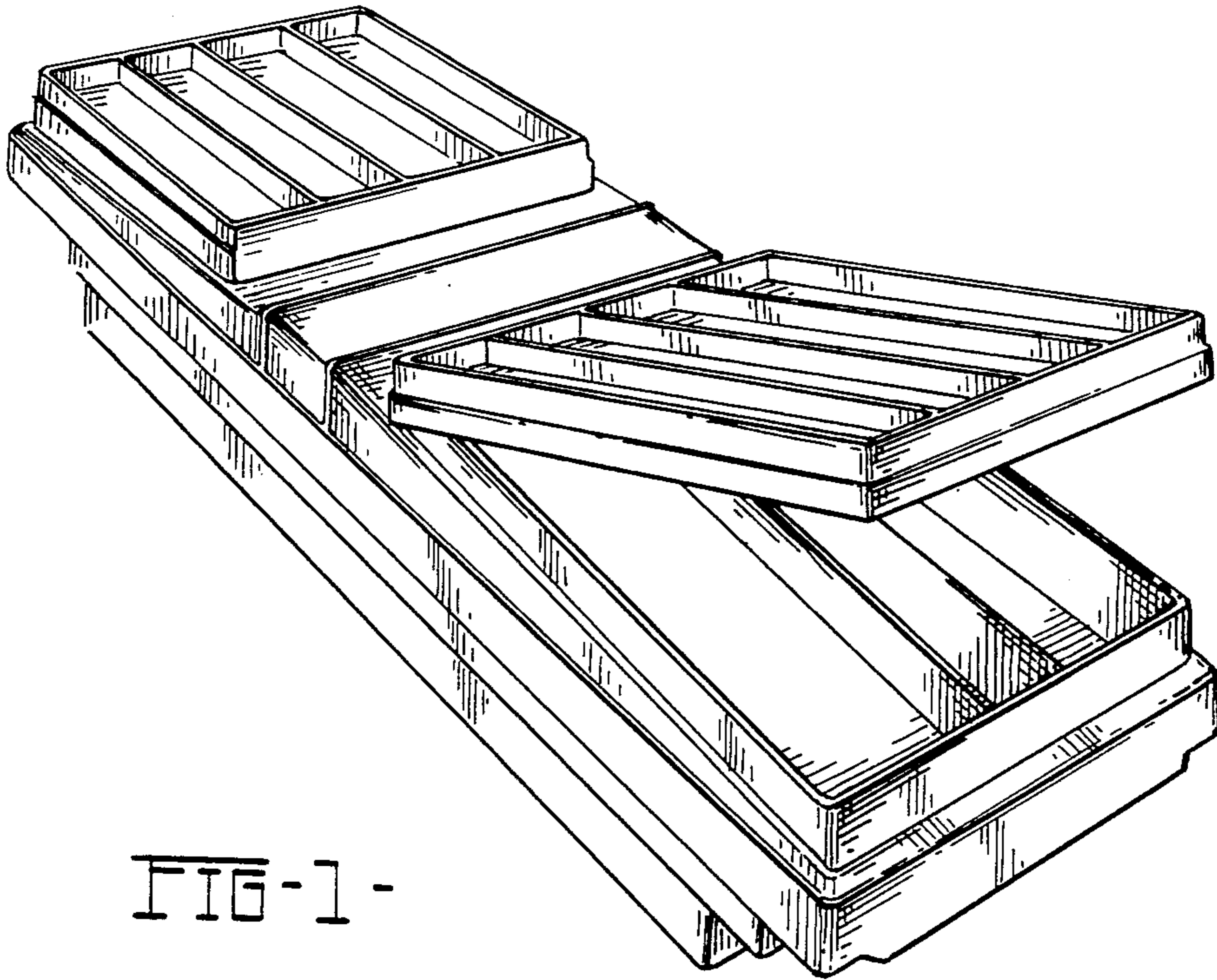


FIG-1 -

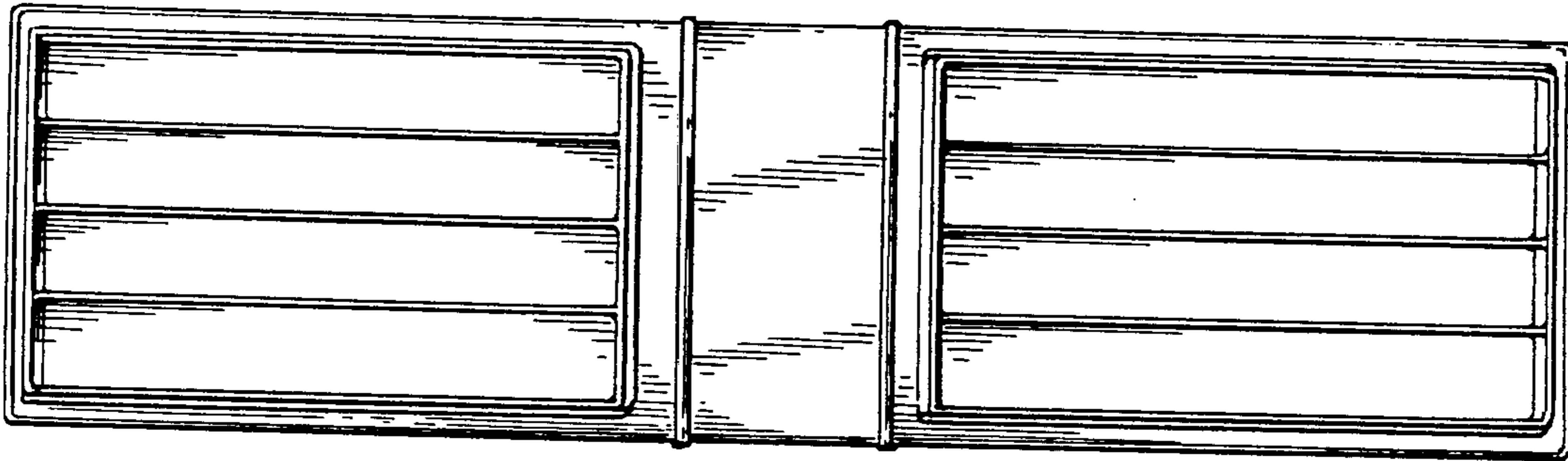


FIG-2 -

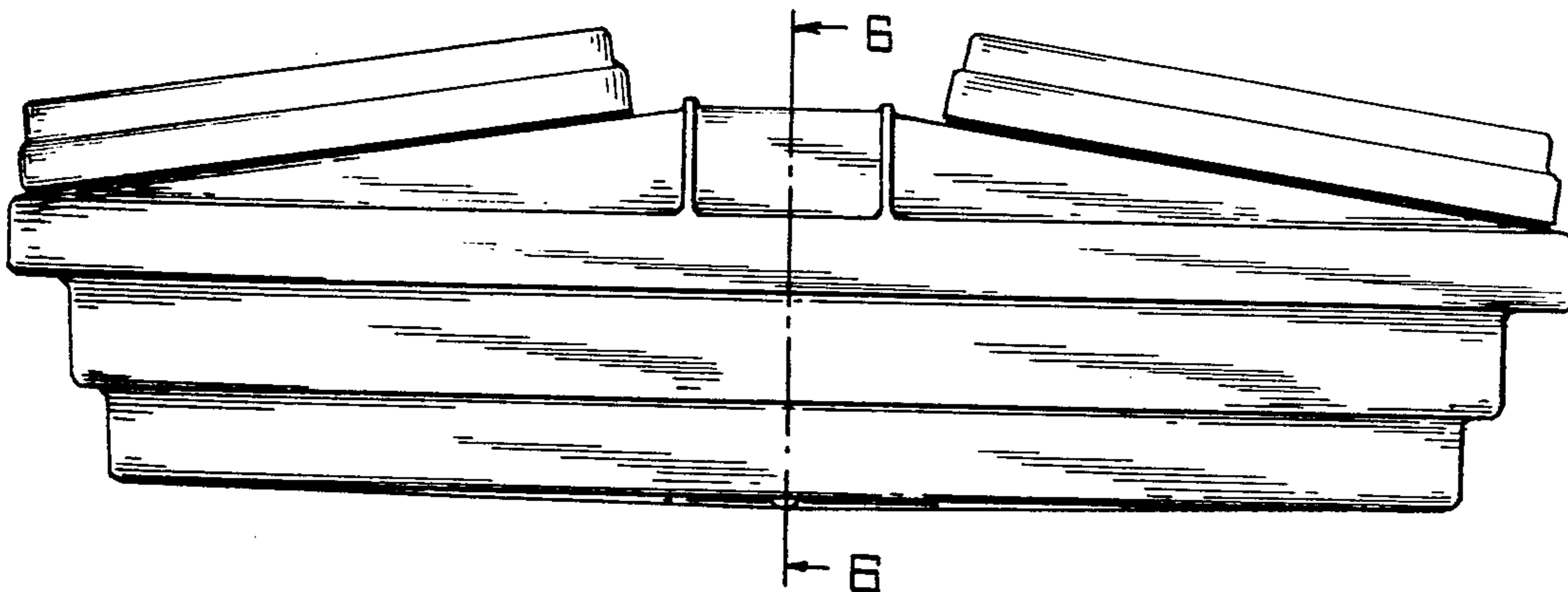


FIG-3-

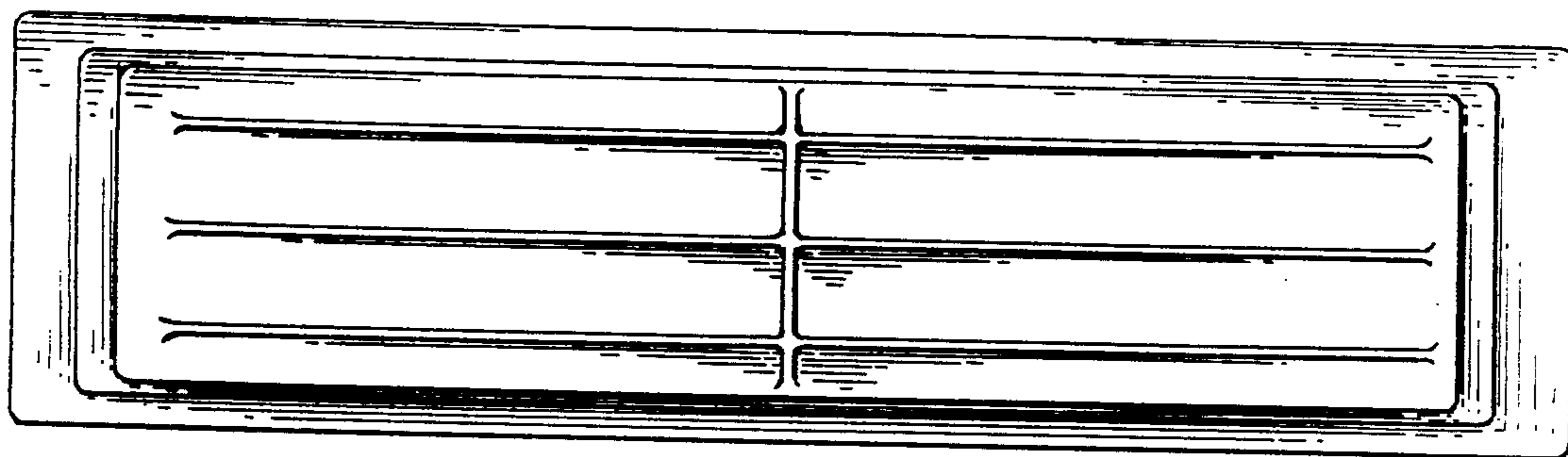


FIG-4-

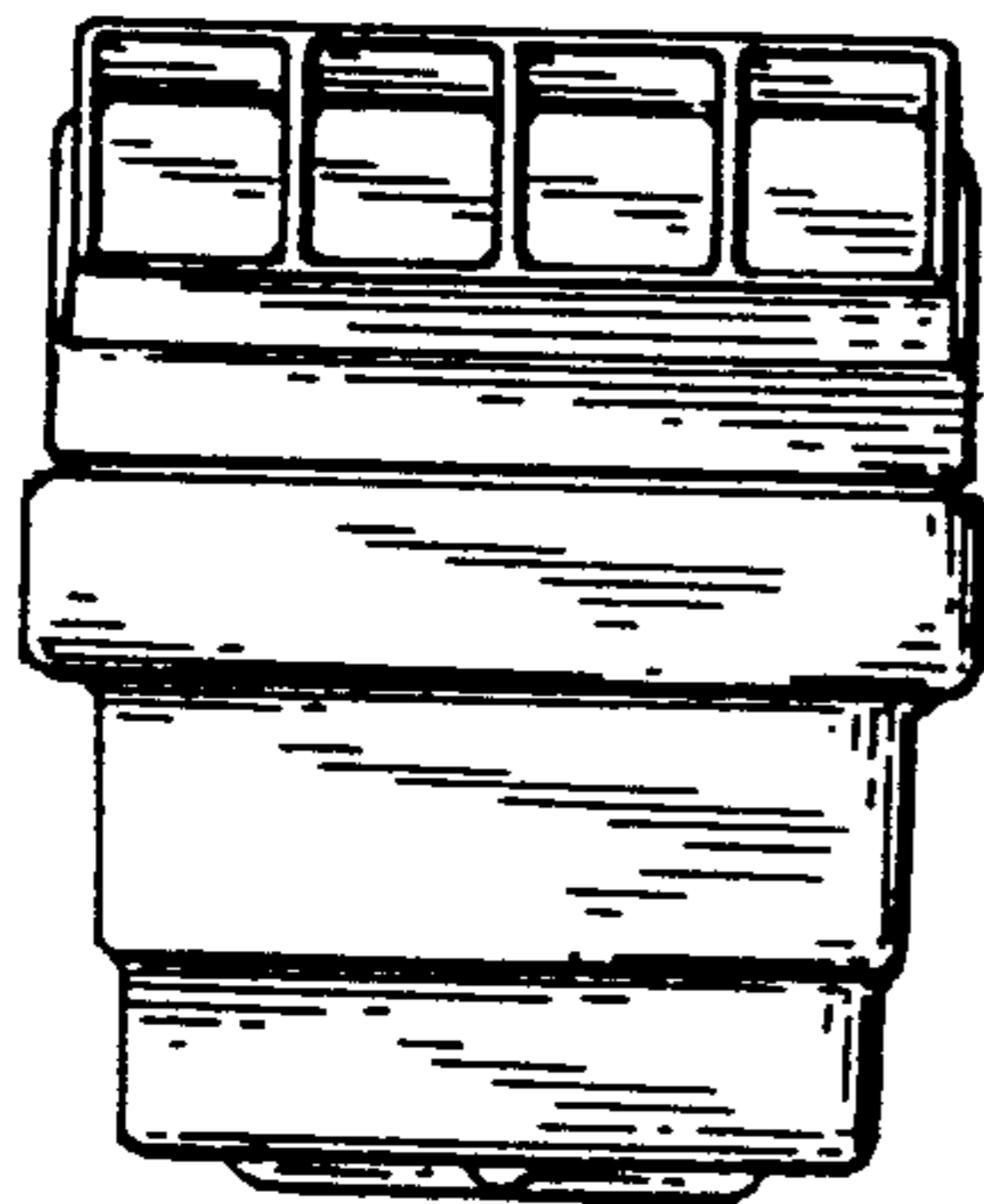


FIG-5-

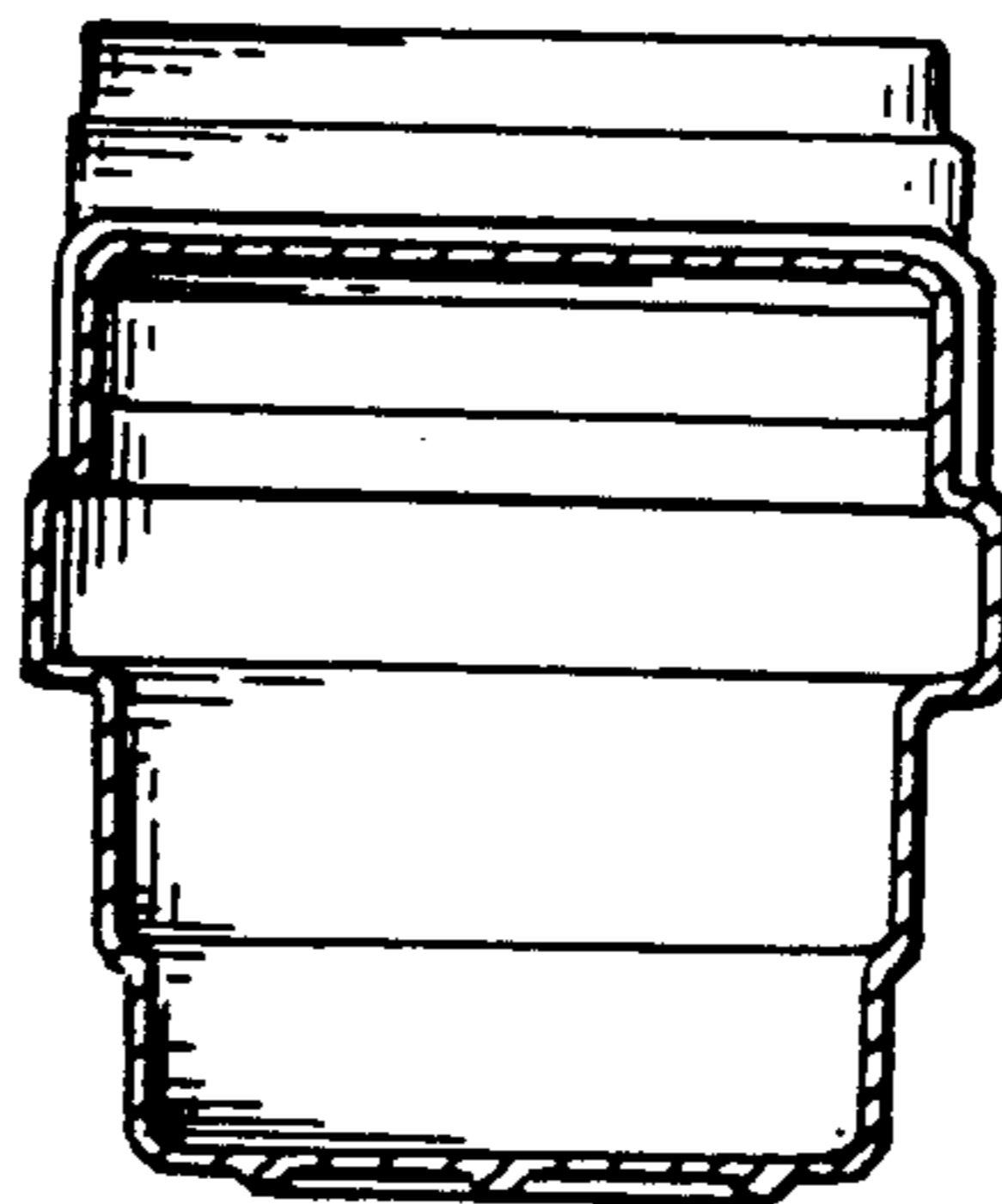


FIG-6-