

[54] JEWELRY CASE

D. 244,123 4/1977 Shiffman ..... D9/235  
D. 244,669 6/1977 Shiffman ..... D9/235

[75] Inventor: Jerome Shiffman, Scarsdale, N.Y.

[73] Assignee: Rocket Jewelry Box, Inc., Bronx, N.Y.

[\*\*] Term: 14 Years

[21] Appl. No.: 943,953

[22] Filed: Sep. 20, 1978

[51] Int. Cl. .... D9-03

[52] U.S. Cl. .... D9/423

[58] Field of Search ..... D9/230-240;  
229/6 R, 44 R, 44 M; 206/45.19

[56] References Cited

U.S. PATENT DOCUMENTS

D. 135,304 3/1943 Thomasson ..... D9/237  
D. 157,311 2/1950 Wiesen ..... D9/235  
D. 208,113 7/1967 Shiffman ..... D9/231

OTHER PUBLICATIONS

National Jeweler Aug. 1963, p. 119, Shaver Case in upper right.

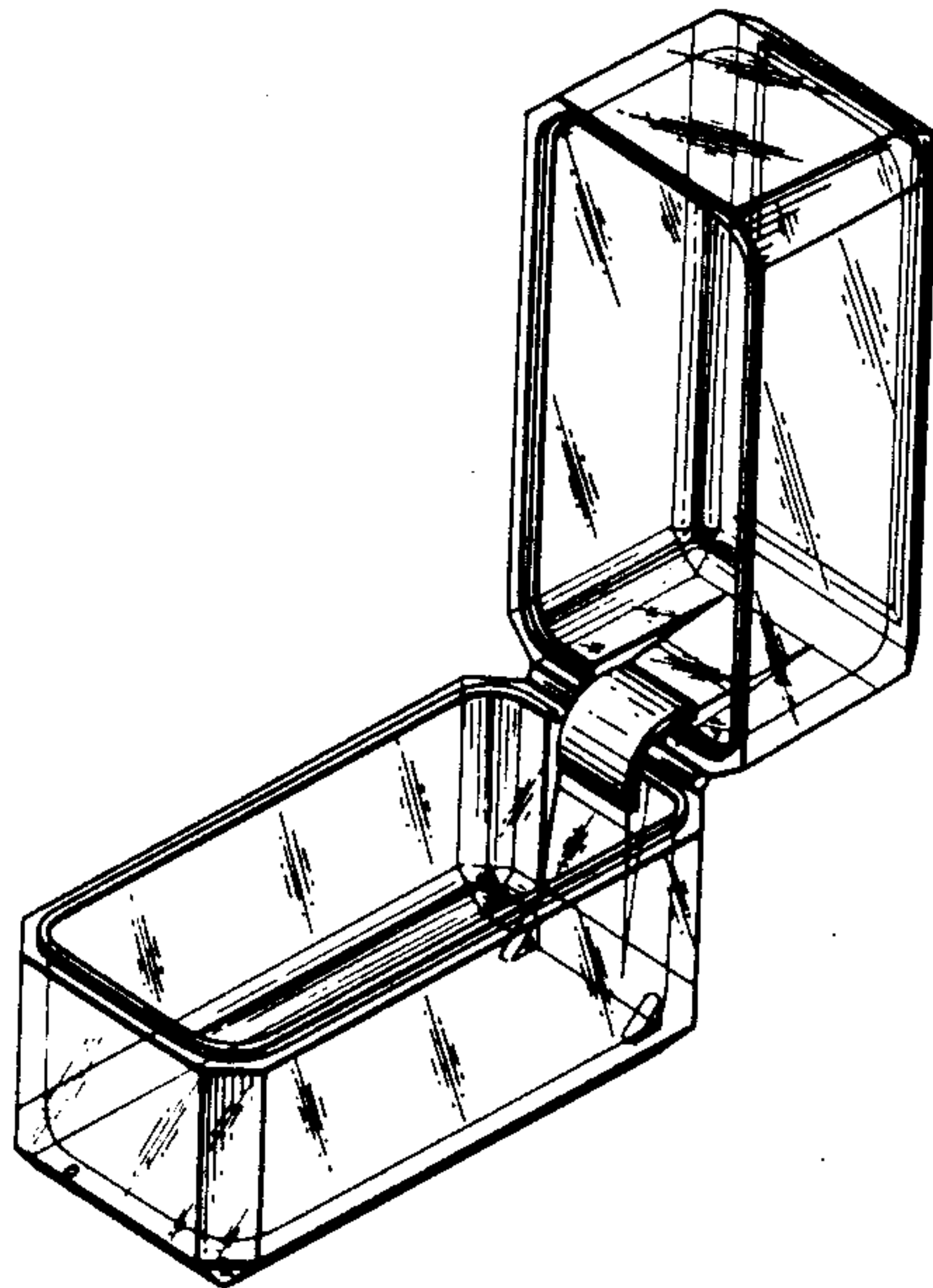
Primary Examiner—Robert C. Spangler  
Attorney, Agent, or Firm—Lewis H. Eslinger

[57] CLAIM

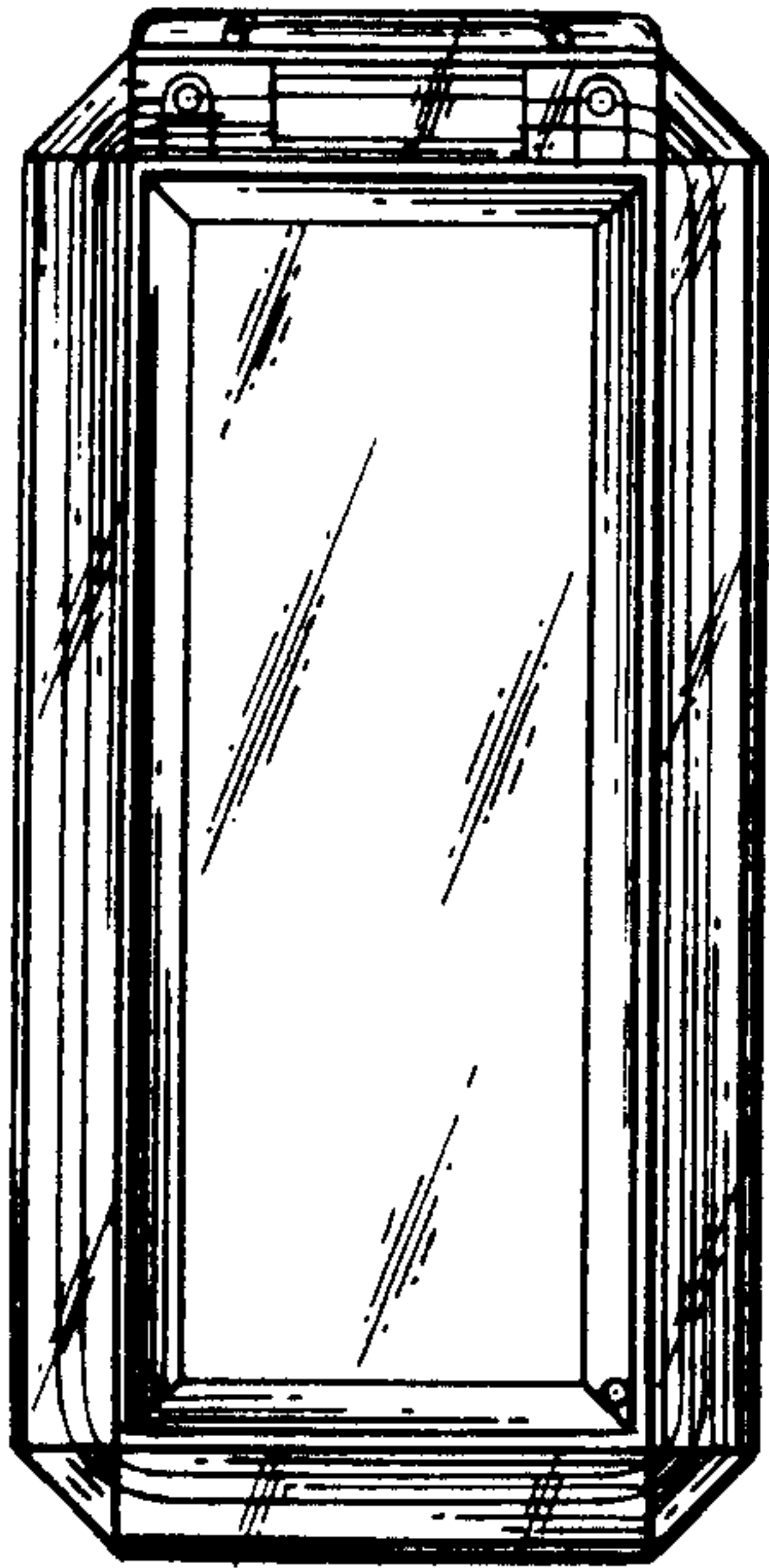
The ornamental design for a jewelry case, as shown.

DESCRIPTION

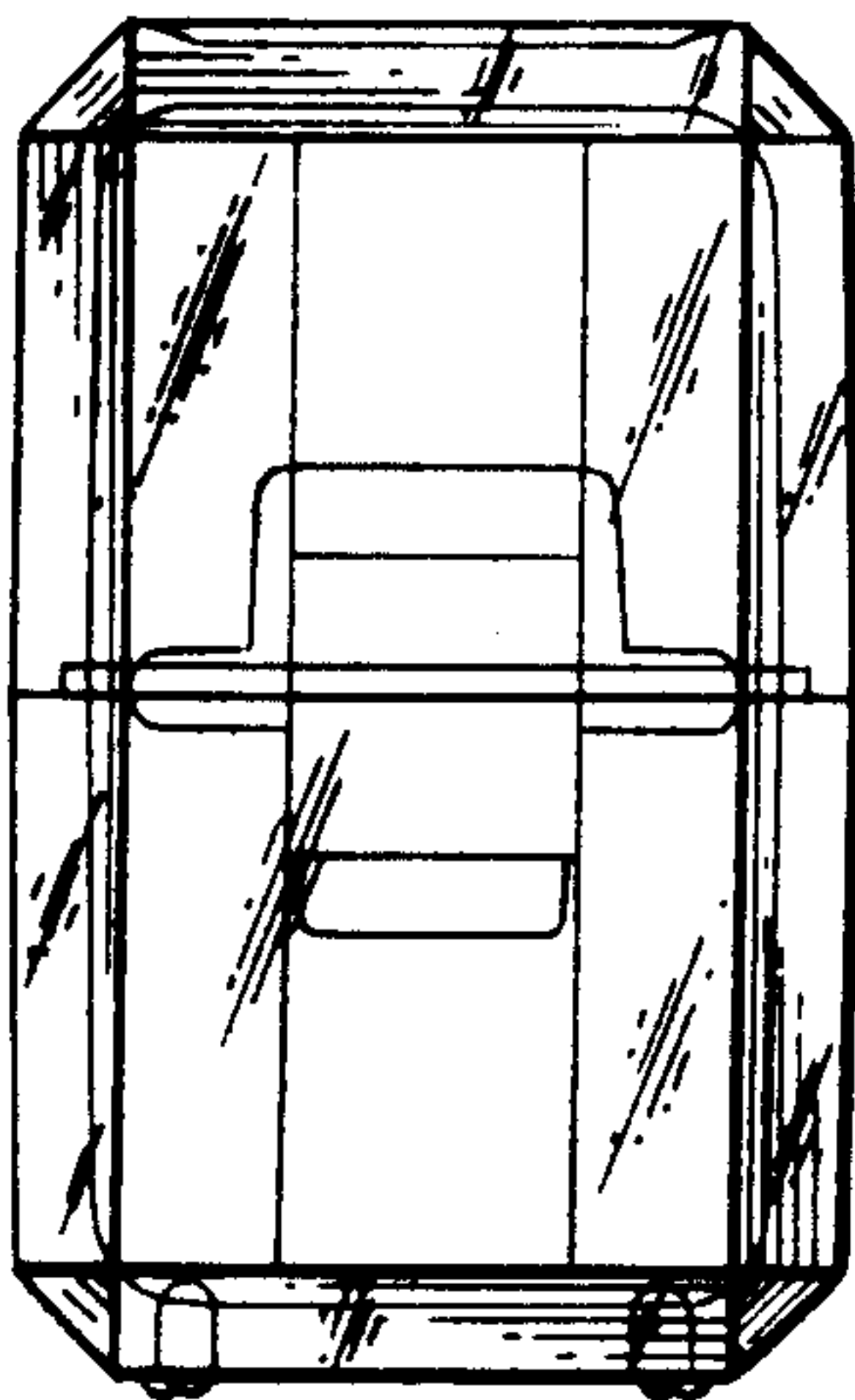
FIG. 1 is a top plan view of a jewelry case embodying my new design;  
FIG. 2 is a front elevational view;  
FIG. 3 is a side elevational view;  
FIG. 4 is a rear elevational view;  
FIG. 5 is a bottom plan view; and  
FIG. 6 is a perspective view with the lid in open position.



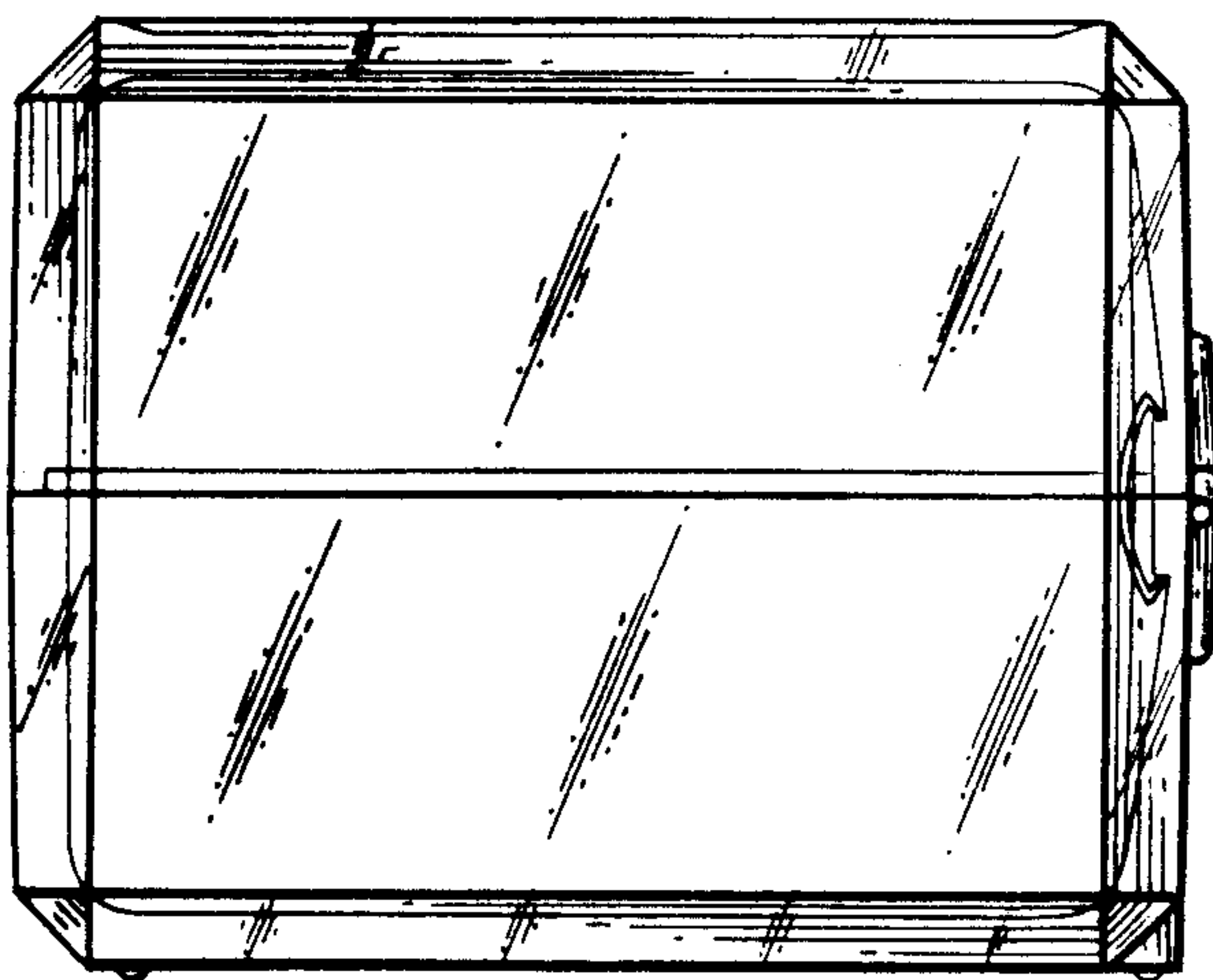
*FIG. 1*



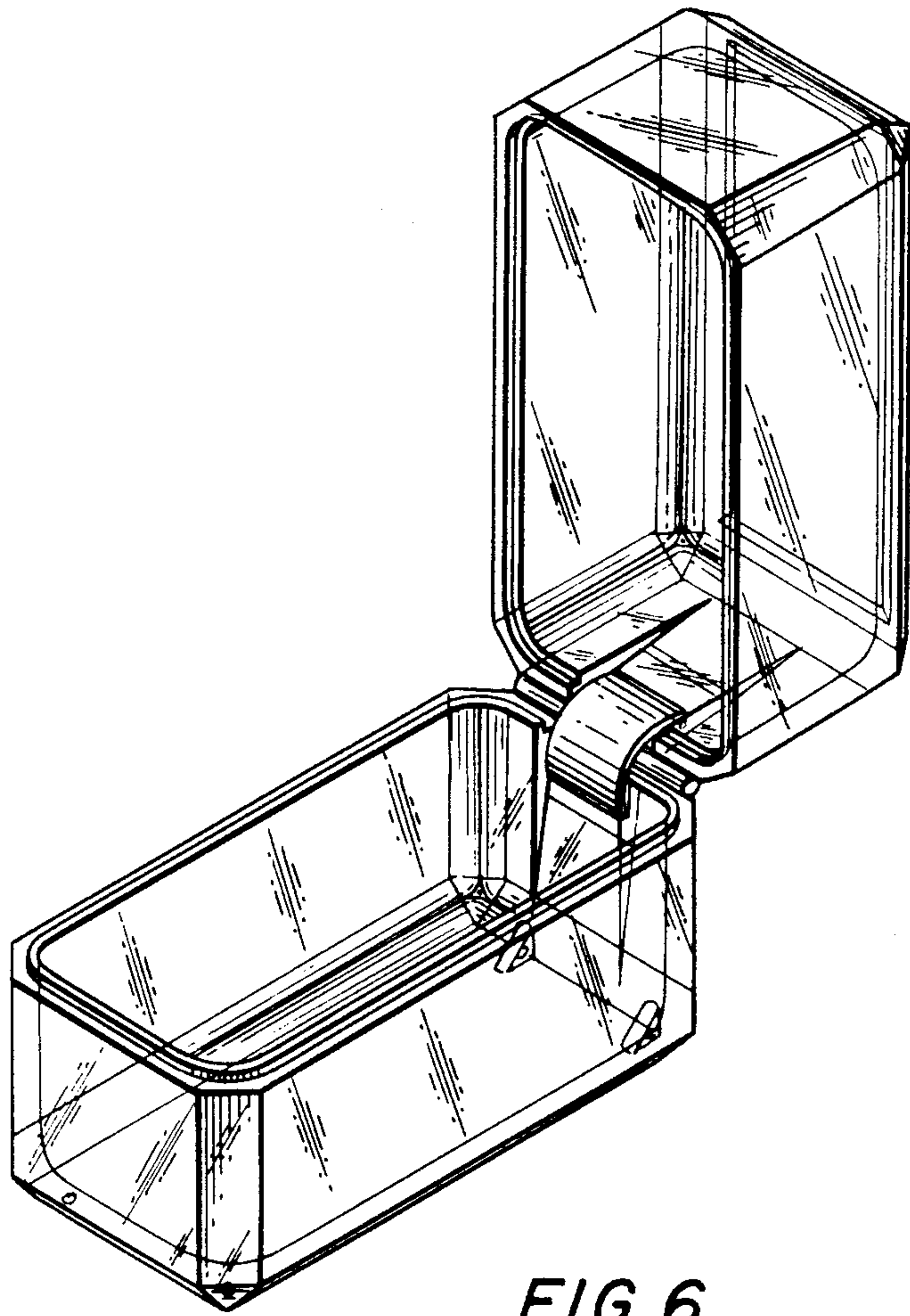
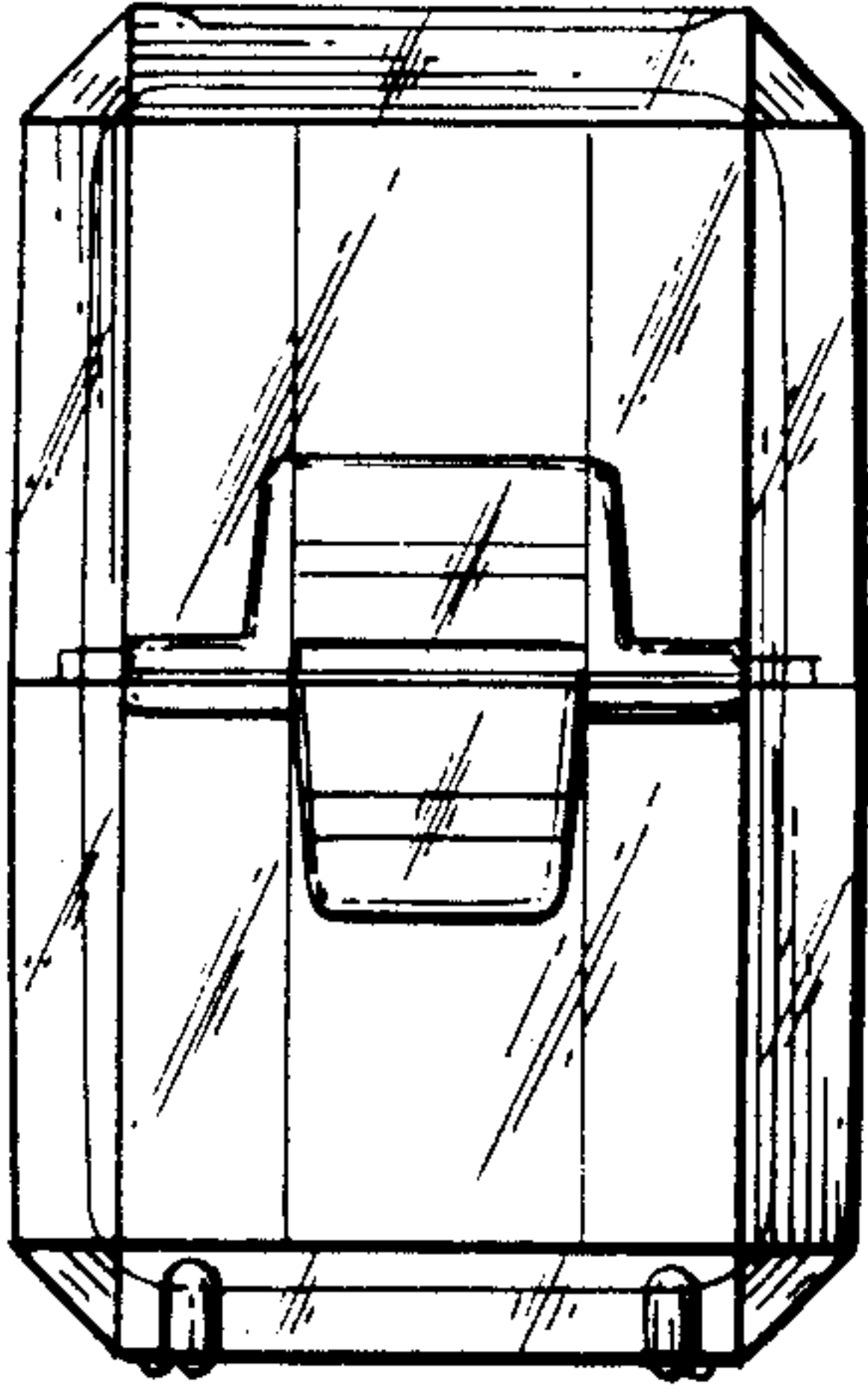
*FIG. 2*



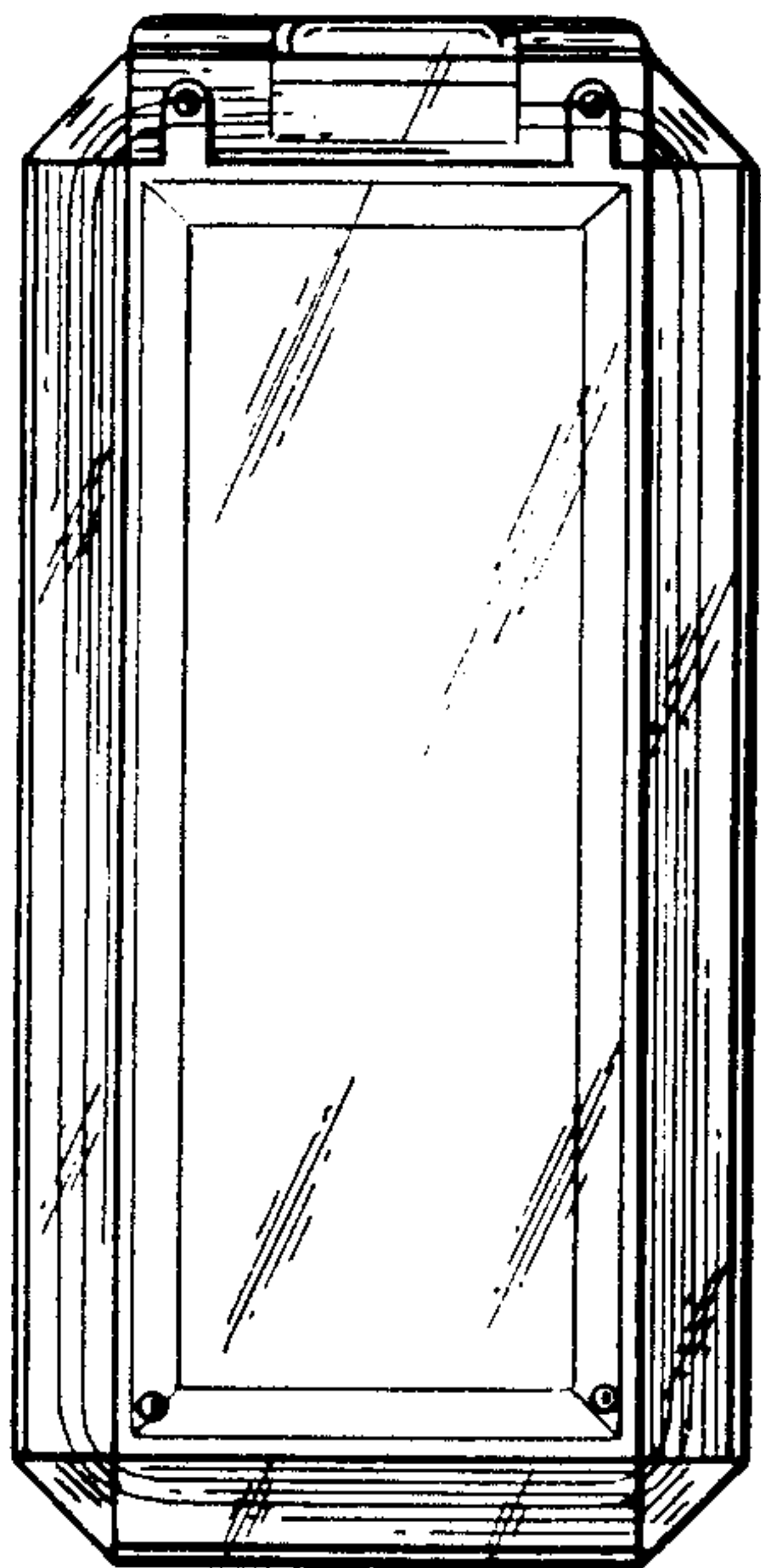
*FIG. 3*



*FIG. 4*



*FIG. 5*



*FIG. 6*