

[54] COMBINED MAGNETIC DOOR STOP AND STRIKING PLATE

[75] Inventor: Michio Sugasawara, Tokyo, Japan

[73] Assignee: Sugatsune Industrial Co., Ltd., Tokyo, Japan

[**] Term: 14 Years

[21] Appl. No.: 963,785

[22] Filed: Nov. 27, 1978

[51] Int. Cl. D8-09

[52] U.S. Cl. D8/402

[58] Field of Search D8/400, 402; 16/49, 16/71, 82; 292/251.5

[56] References Cited

U.S. PATENT DOCUMENTS

D. 191,784	11/1961	Ingram	D8/402
3,025,559	3/1962	Basnger	D8/402
3,244,443	4/1966	Rodgers	16/82 R
3,304,110	2/1967	Triplette	292/251.5

OTHER PUBLICATIONS

Jaybee Manuf. Corp. Cat. 133, p. 105, Magnetic Catch No. 3724.

Primary Examiner—B. J. Bullock
Attorney, Agent, or Firm—George B. Oujevolk

[57] CLAIM

The ornamental design for a combined magnetic door stop and striking plate, substantially as shown and described.

DESCRIPTION

FIG. 1 is a perspective view of a combined magnetic door stop and striking plate showing my new design; FIG. 2 is a front view of the magnetic door stop, shown separately for ease of illustration; FIG. 3 is a rear view of FIG. 2; FIG. 4 is a side view taken from the right of FIG. 2, the side opposite being a mirror image thereof; FIG. 5 is a top view of FIG. 2; FIG. 6 is a bottom view of FIG. 2; FIG. 7 is a front view of the striking plate, again shown separately for clarity of illustration; FIG. 8 is a rear view of FIG. 7; FIG. 9 is a side view taken from the right of FIG. 7, the side opposite being a mirror image thereof; FIG. 10 is a top view of FIG. 7, the bottom being a mirror image thereof.

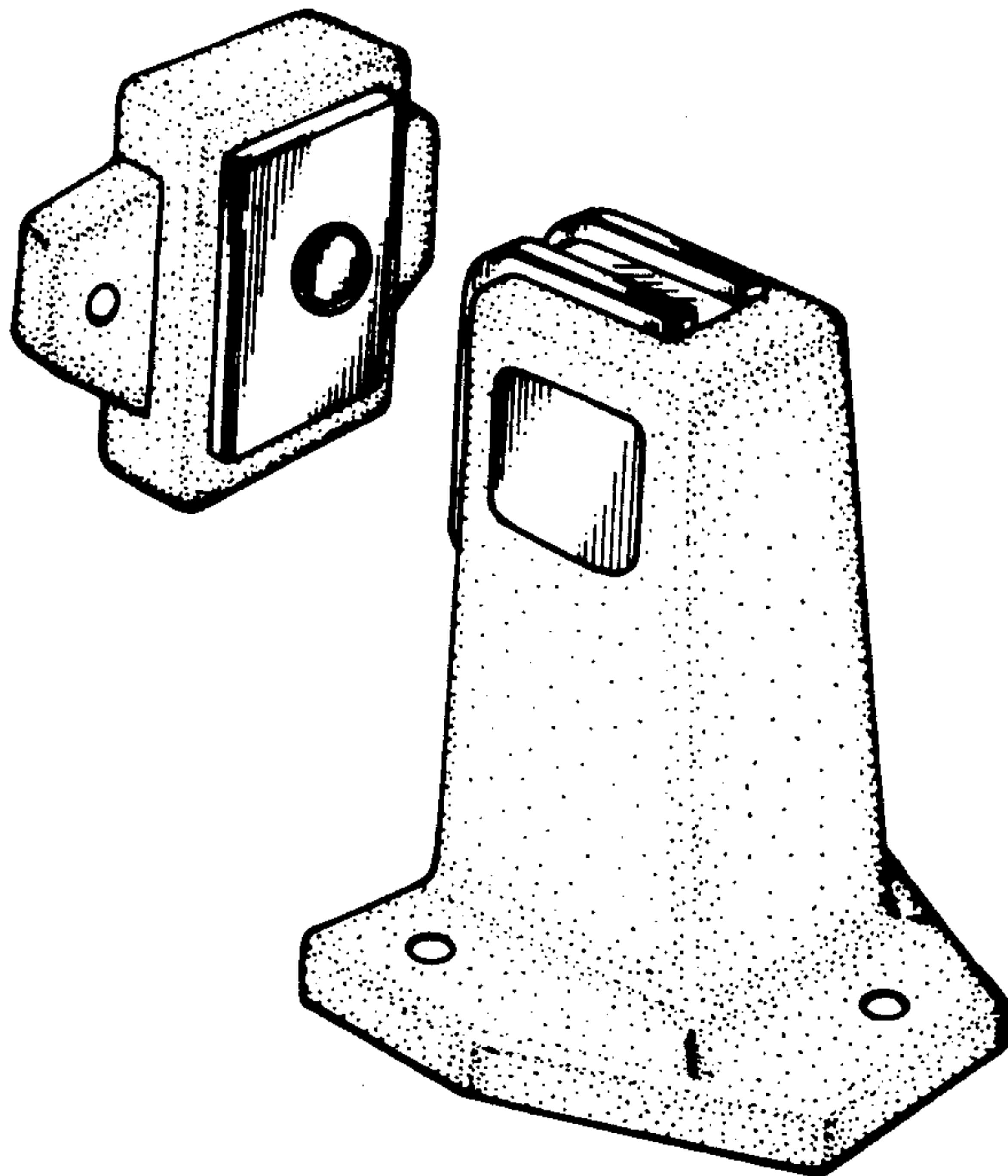


FIG. 1

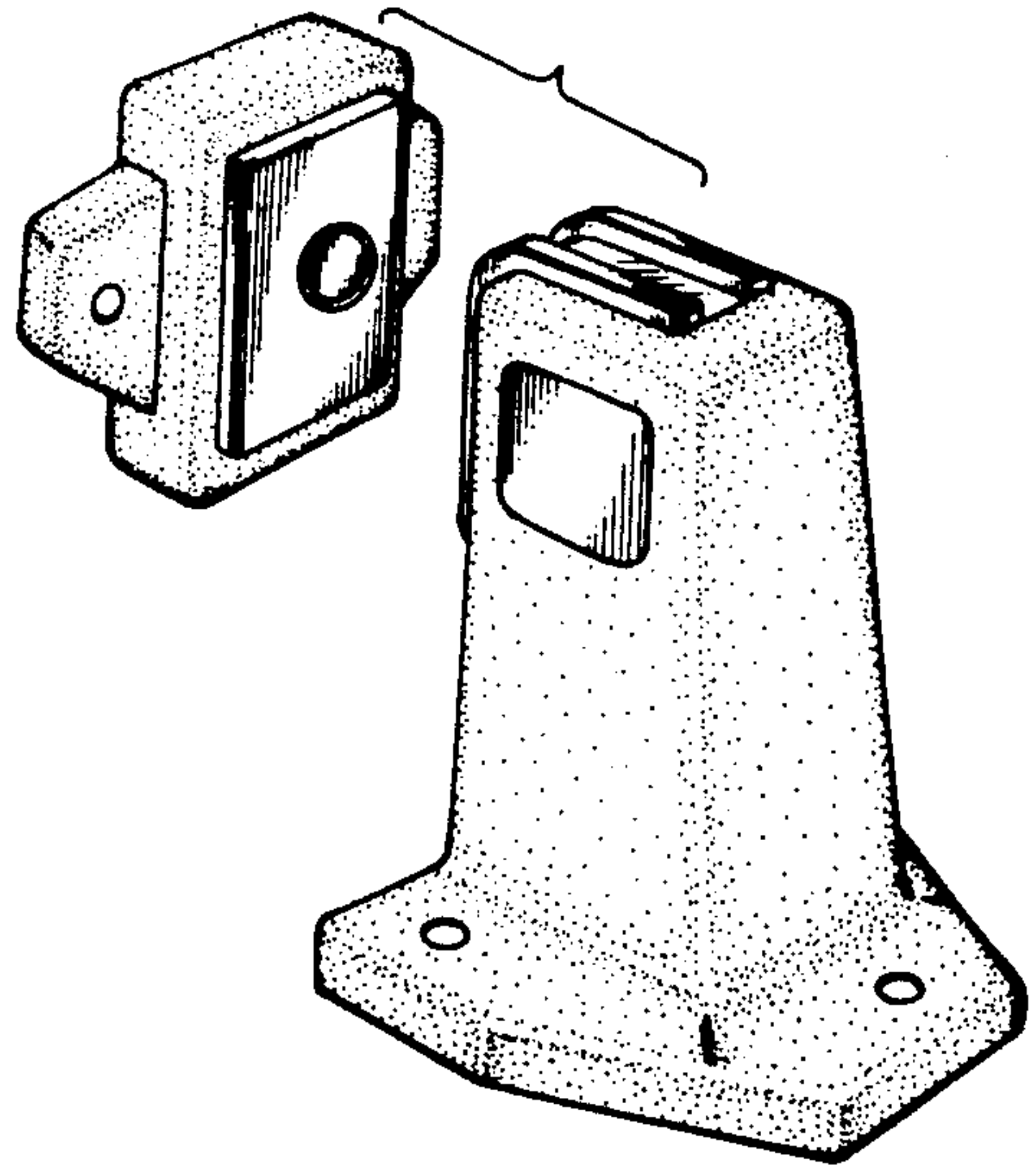


FIG. 2

FIG. 3

FIG. 4

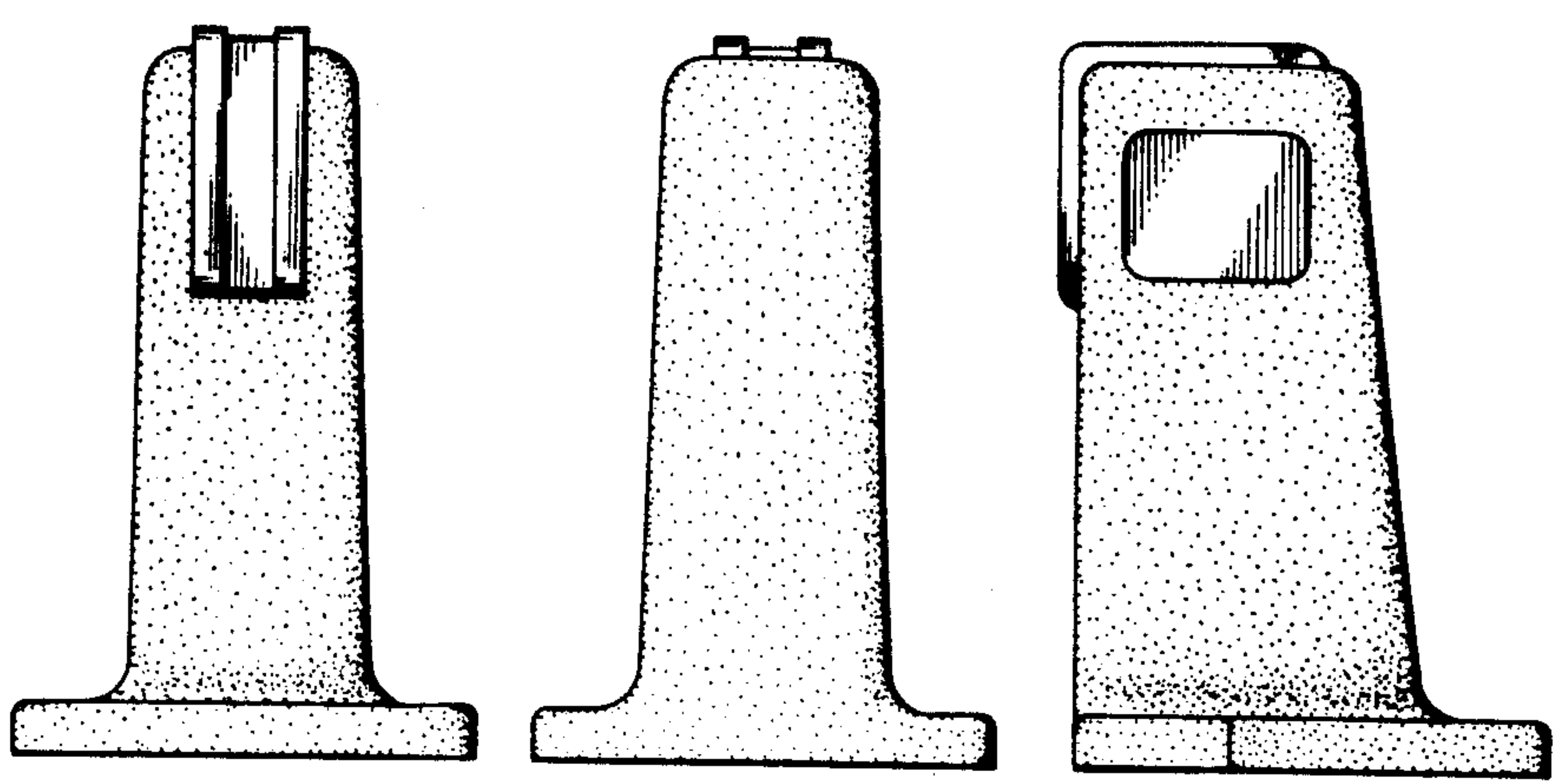


FIG.5

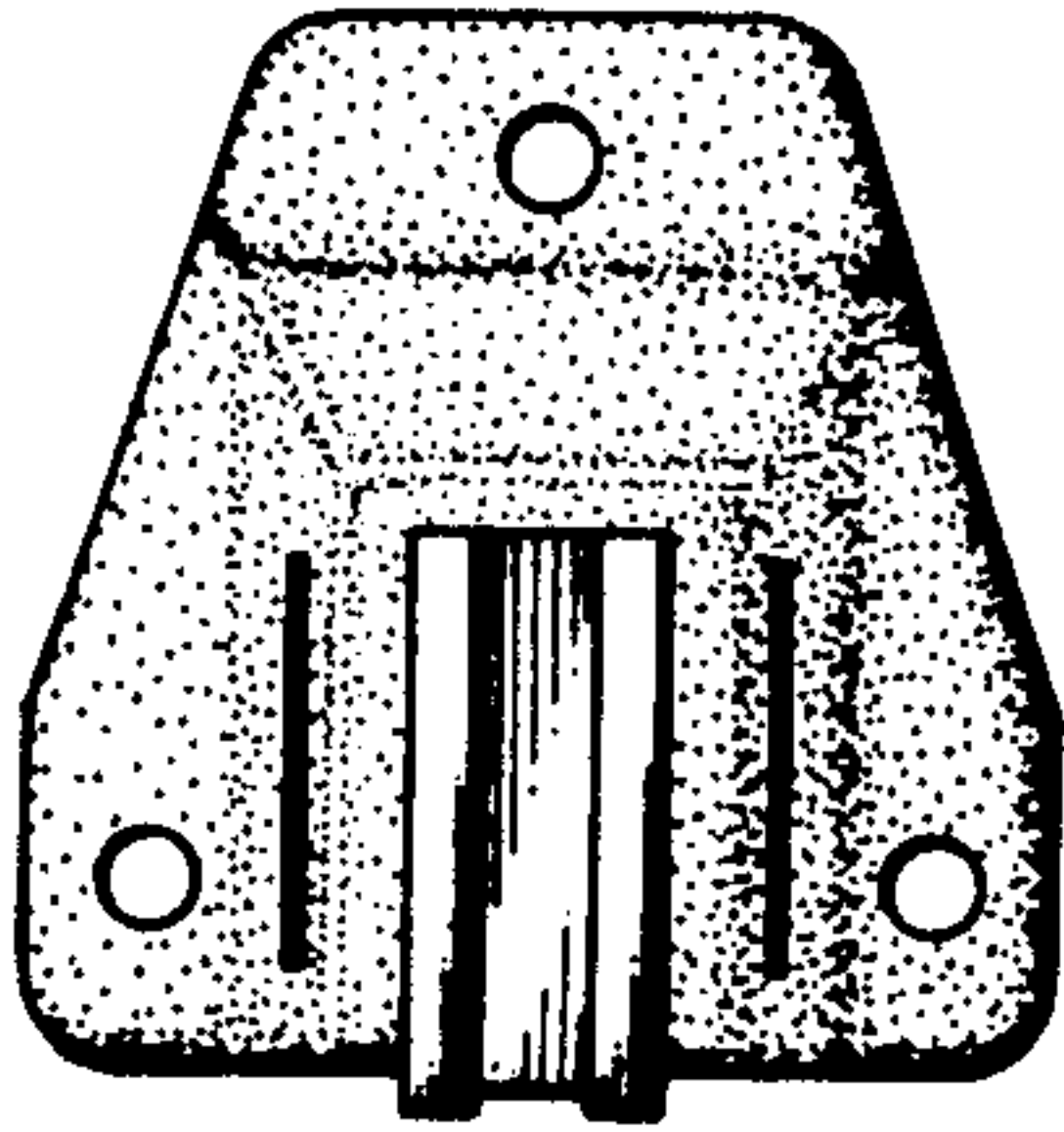


FIG.6

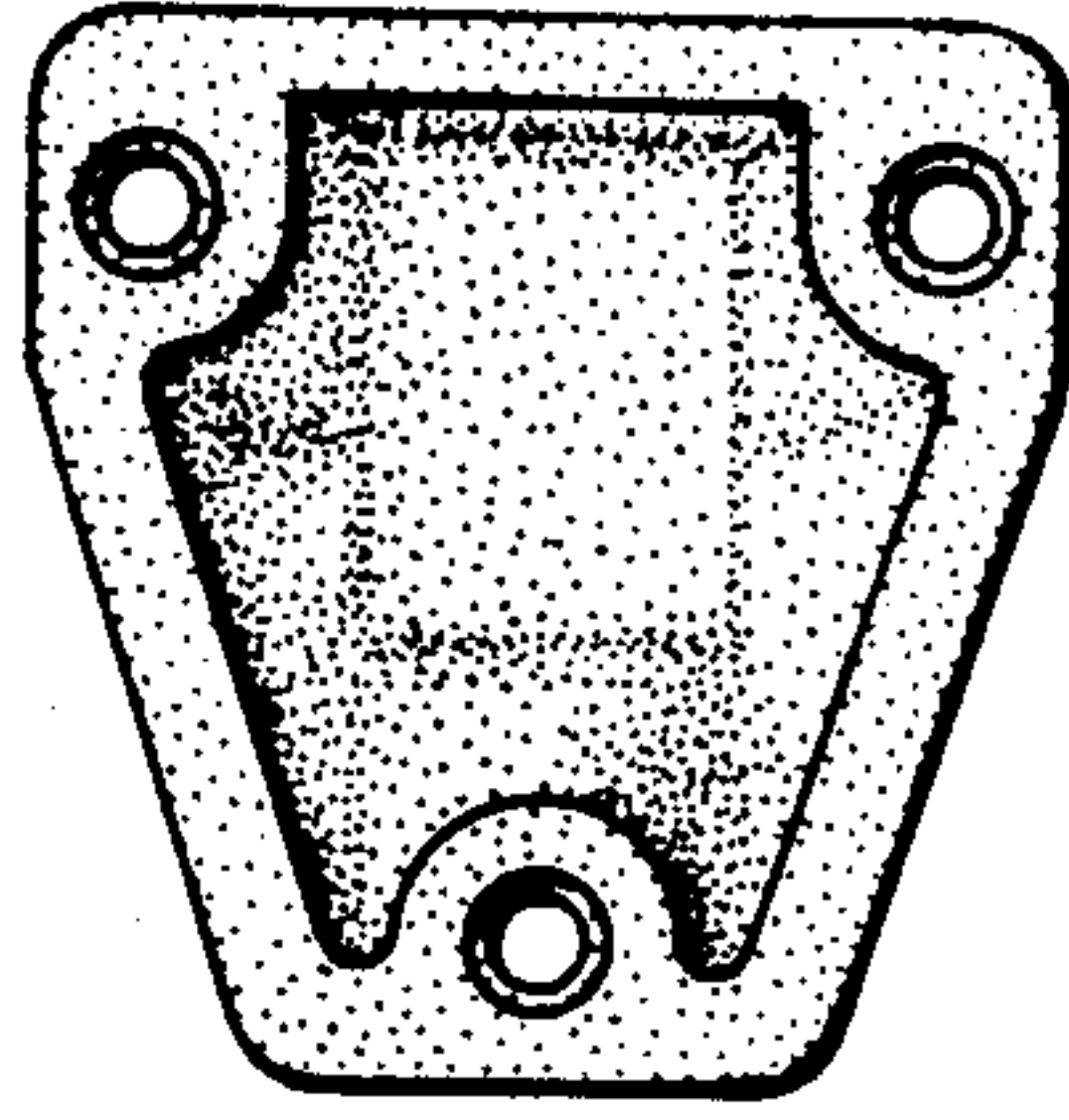


FIG.7

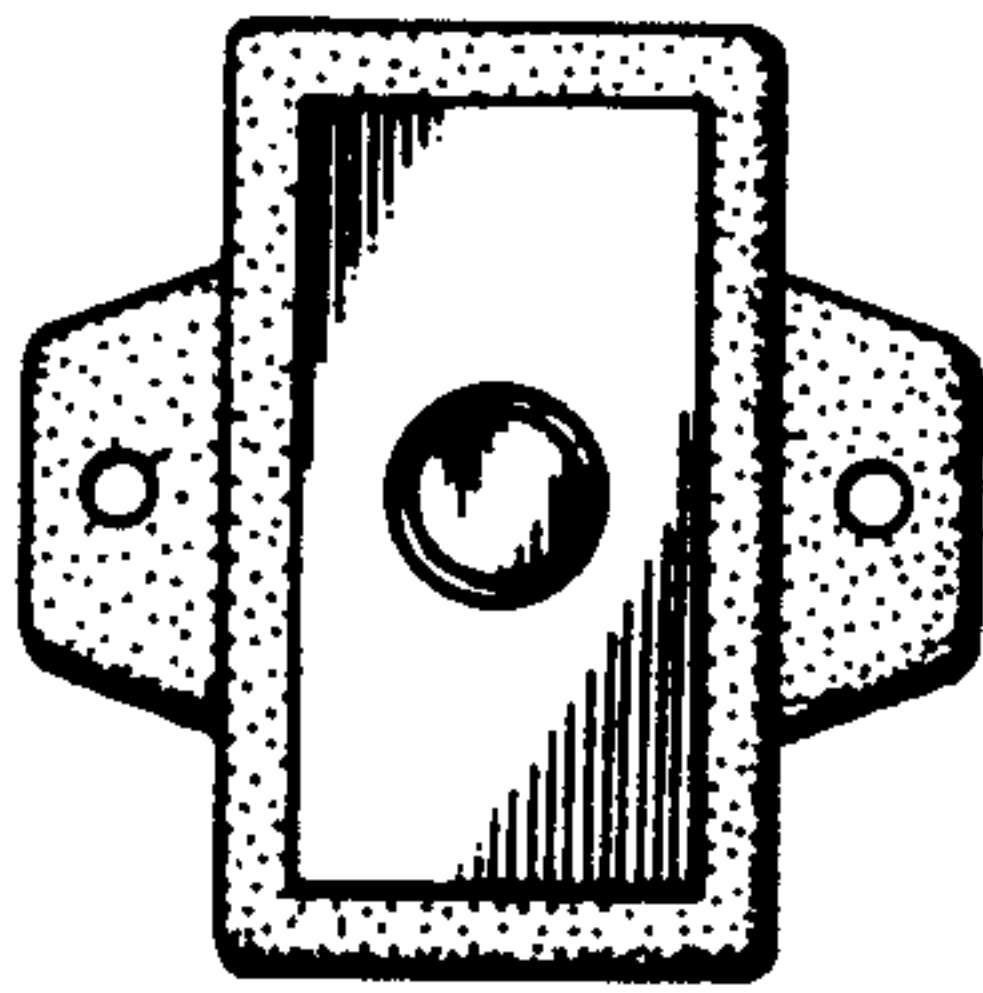


FIG.8

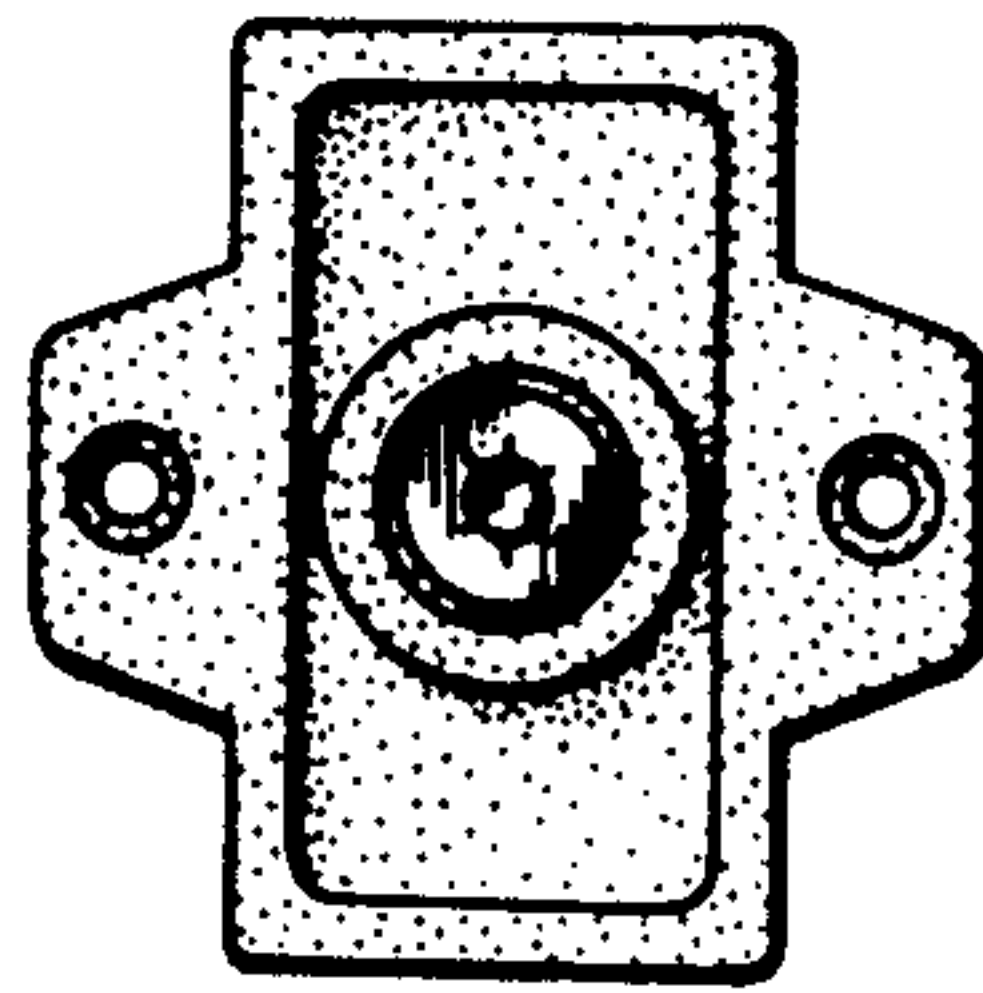


FIG.9

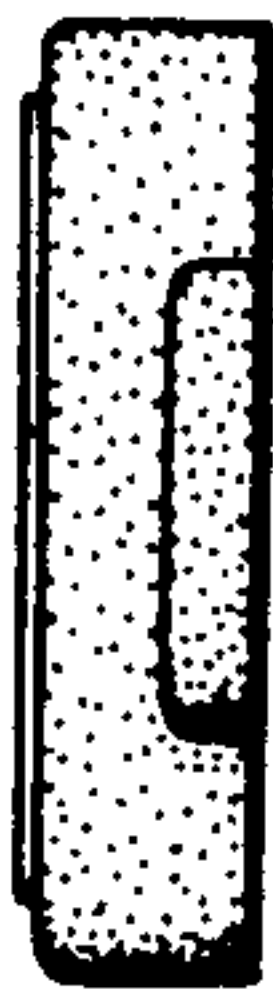


FIG.10

