

[54] DISTRIBUTOR CLAMP

3,387,814 6/1968 Fischer ..... 248/507  
3,787,024 1/1974 Dzus, Jr. .... 248/503

[75] Inventor: Richard J. Smith, Middleburgh Hts., Ohio

Primary Examiner—B. J. Bullock  
Attorney, Agent, or Firm—W. Kovensky

[73] Assignee: W. R. Grace & Co., New York, N.Y.

[57] CLAIM

[\*\*] Term: 14 Years

The ornamental design for a distributor clamp, as shown and described.

[21] Appl. No.: 931,410

[22] Filed: Aug. 7, 1978

DESCRIPTION

[51] Int. Cl. .... D8—08

FIG. 1 is a reduced perspective view of a distributor clamp showing my new design, the engine block, distributor and associated hardware being shown in broken lines for illustrative purposes only;

[52] U.S. Cl. .... D8/394

FIG. 2 is a top plan view;

[58] Field of Search ..... D8/349, 354, 382, 394, D8/396; 248/674, 680, 500, 503, 505, 507

FIG. 3 is a bottom plan view;

[56] References Cited

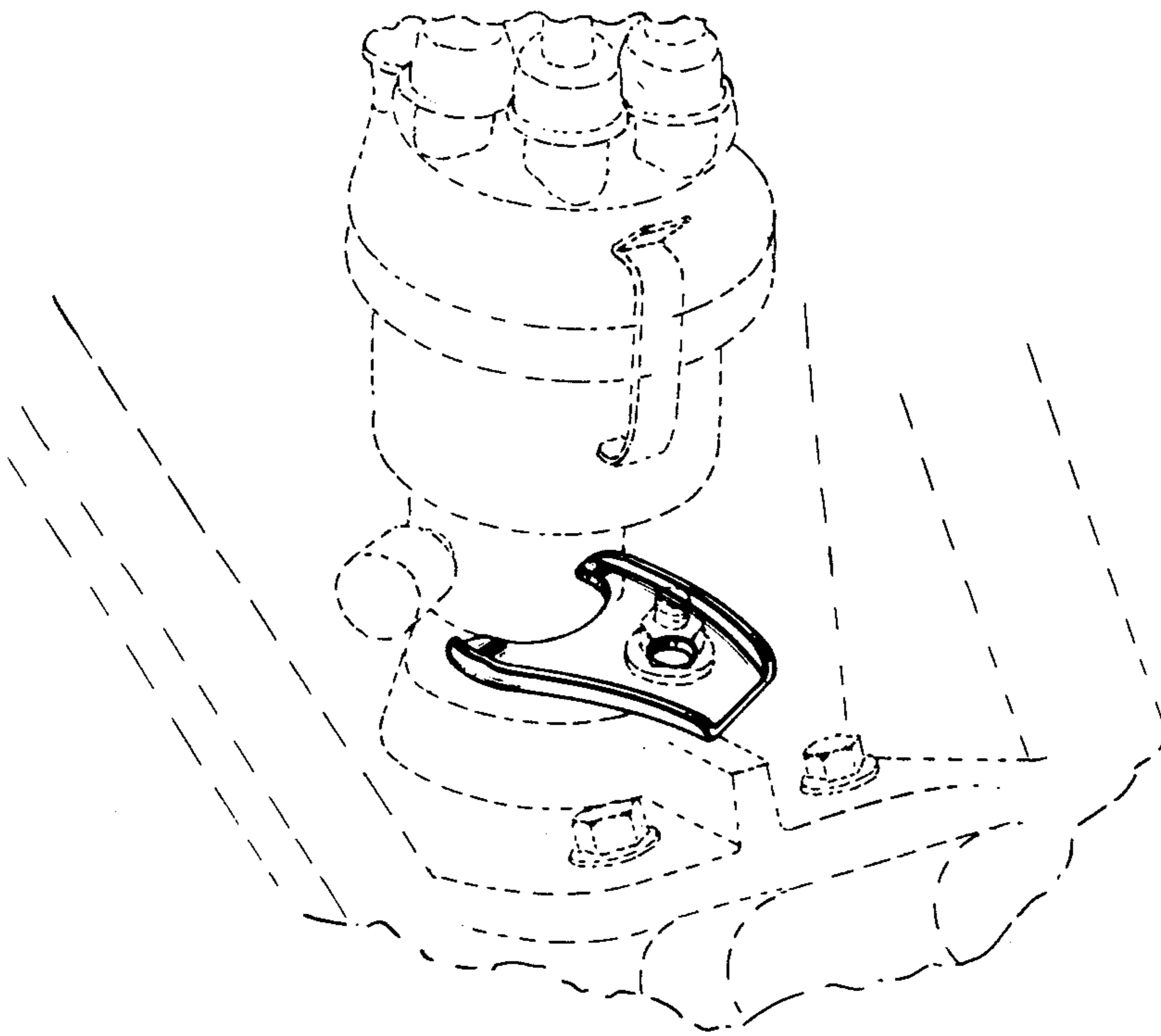
U.S. PATENT DOCUMENTS

FIG. 4 is a side elevational view;

FIG. 5 is a rear elevational view taken from the right side of FIG. 4; and

FIG. 6 is a front elevational view.

1,635,847 7/1927 Hooper ..... 248/674  
3,379,400 4/1968 Bauschard ..... 248/507



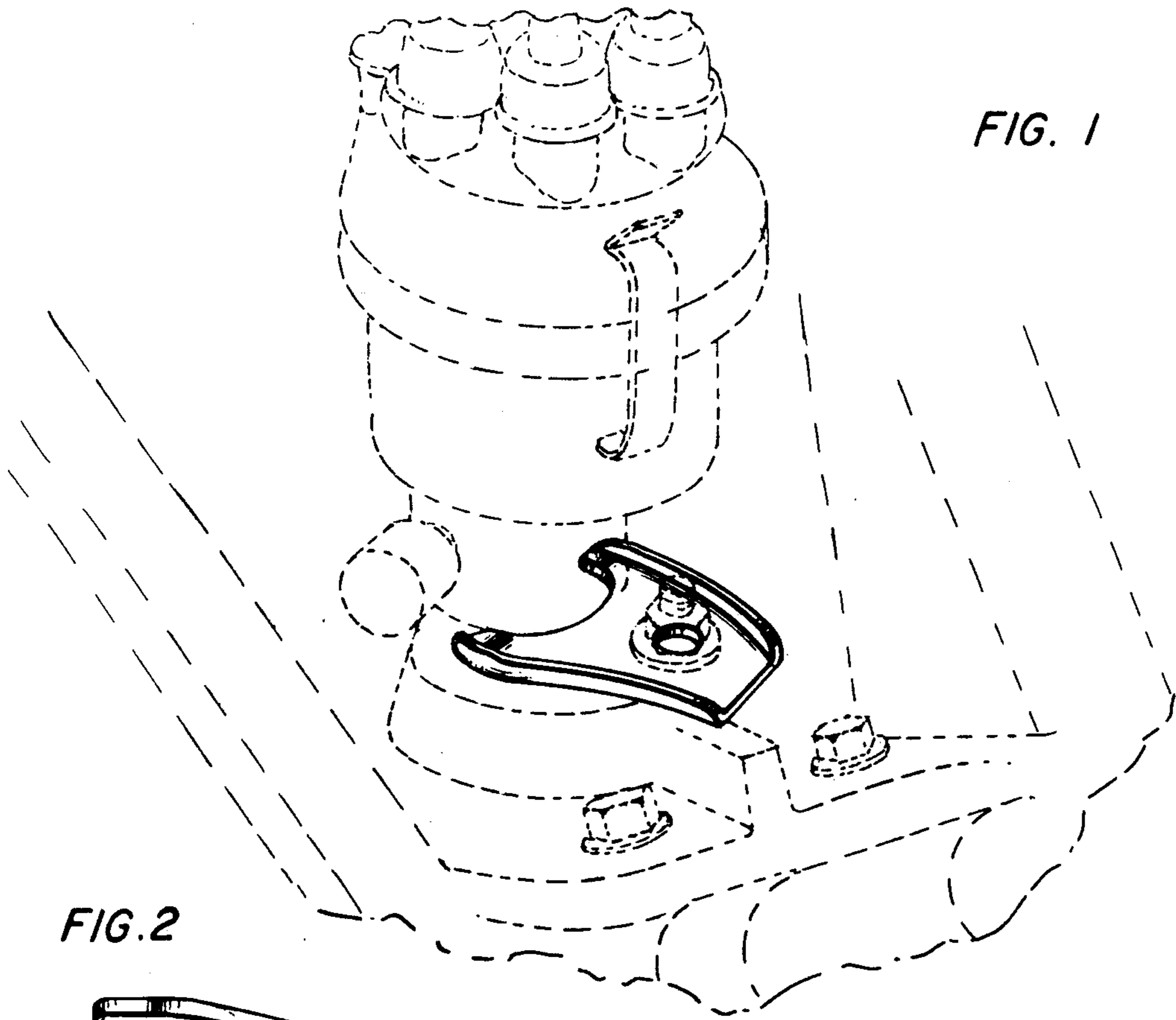


FIG. 2

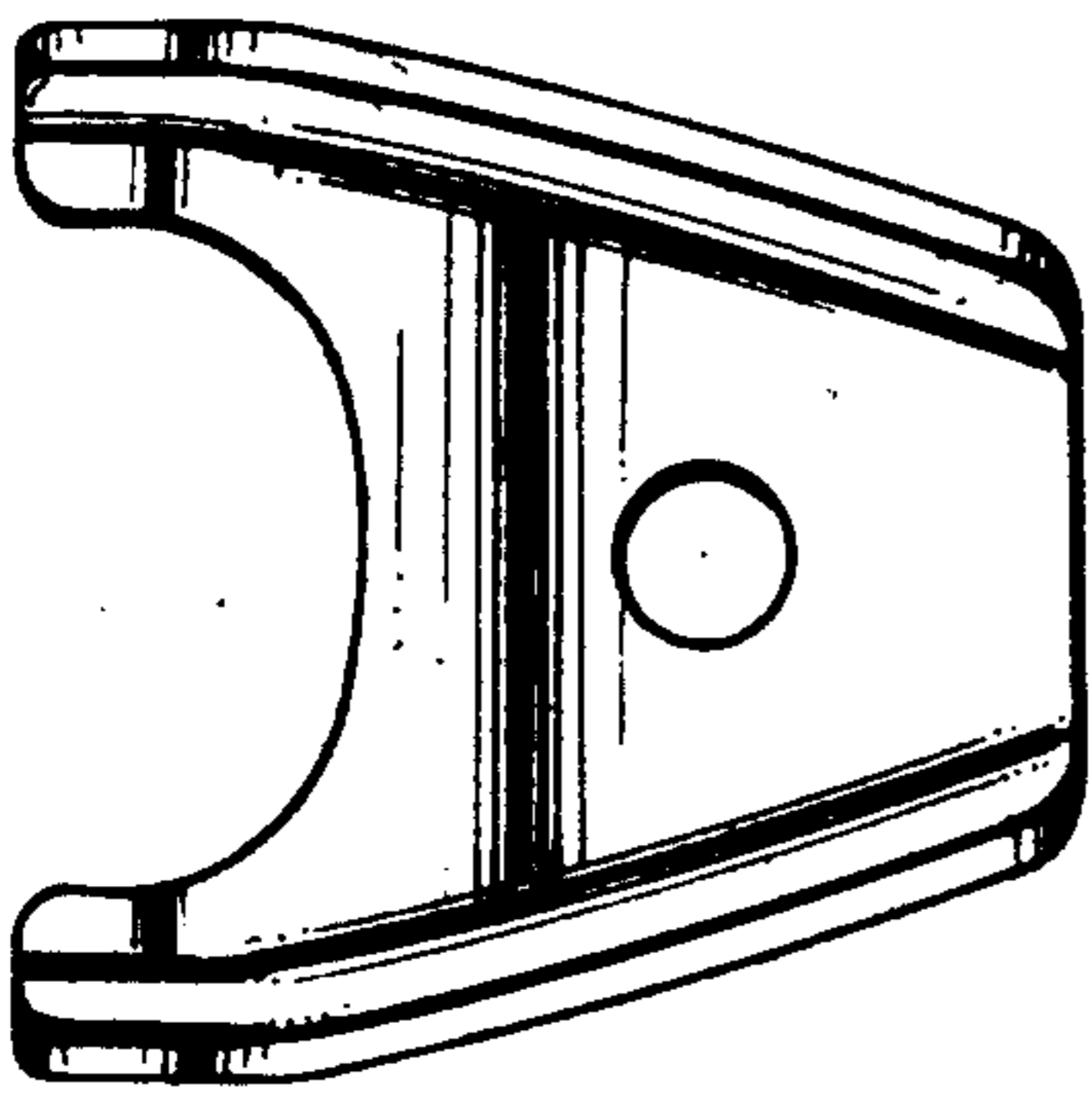


FIG. 3

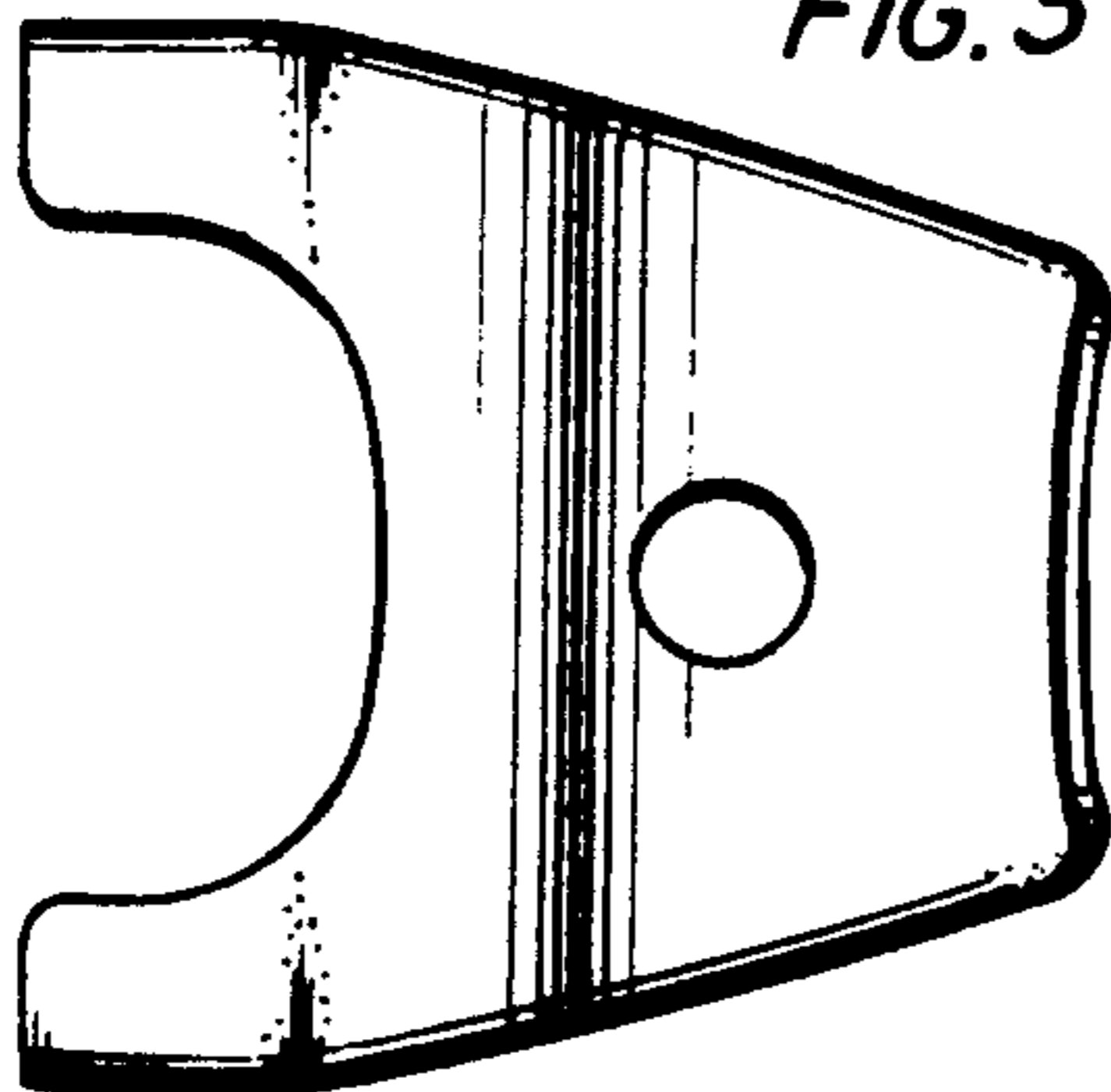


FIG. 4

FIG. 5



FIG. 6

