

[54] PNEUMATIC DRILL

[75] Inventors: Heino Elmessaar; Ronald J. Lundberg; Stig R. Zernell, all of Stockholm, Sweden

[73] Assignee: Atlas Copco AB, Nacka, Sweden

[**] Term: 14 Years

[21] Appl. No.: 816,888

[22] Filed: Jul. 18, 1977

[30] Foreign Application Priority Data

May 18, 1977 [SE] Sweden 770106

[51] Int. Cl. D8-01

[52] U.S. Cl. D8/68

[58] Field of Search D8/68; 173/163, 170; 81/52.3, 52.35, 54, 57.11; 310/50; 408/124, DIG. 1

[56] References Cited

U.S. PATENT DOCUMENTS

D. 250,084 10/1978 Kirschensteiner D8/68
3,043,274 7/1962 Quackenbush 173/163

OTHER PUBLICATIONS

Atlas Copco; Flyer No. E1877 Drill LBB 45H.
Atlas Copco Leaflet E1472a, p. 3, Air Drill No. LBB 22H49.

Black & Decker Mfg. Co., Leaflet Form No. 1293, Air Drills Nos. 1487, 1490, 1488.

Rotor Tool Co., Portable Air Tool Bulletin 69, p. 2, Order No. 2543.

Primary Examiner—Peter Feldman

Attorney, Agent, or Firm—Frishauf, Holtz, Goodman and Woodward

[57] CLAIM

The ornamental design for a pneumatic drill, as shown and described.

DESCRIPTION

FIG. 1 is a perspective view of a pneumatic drill embodying our new design;

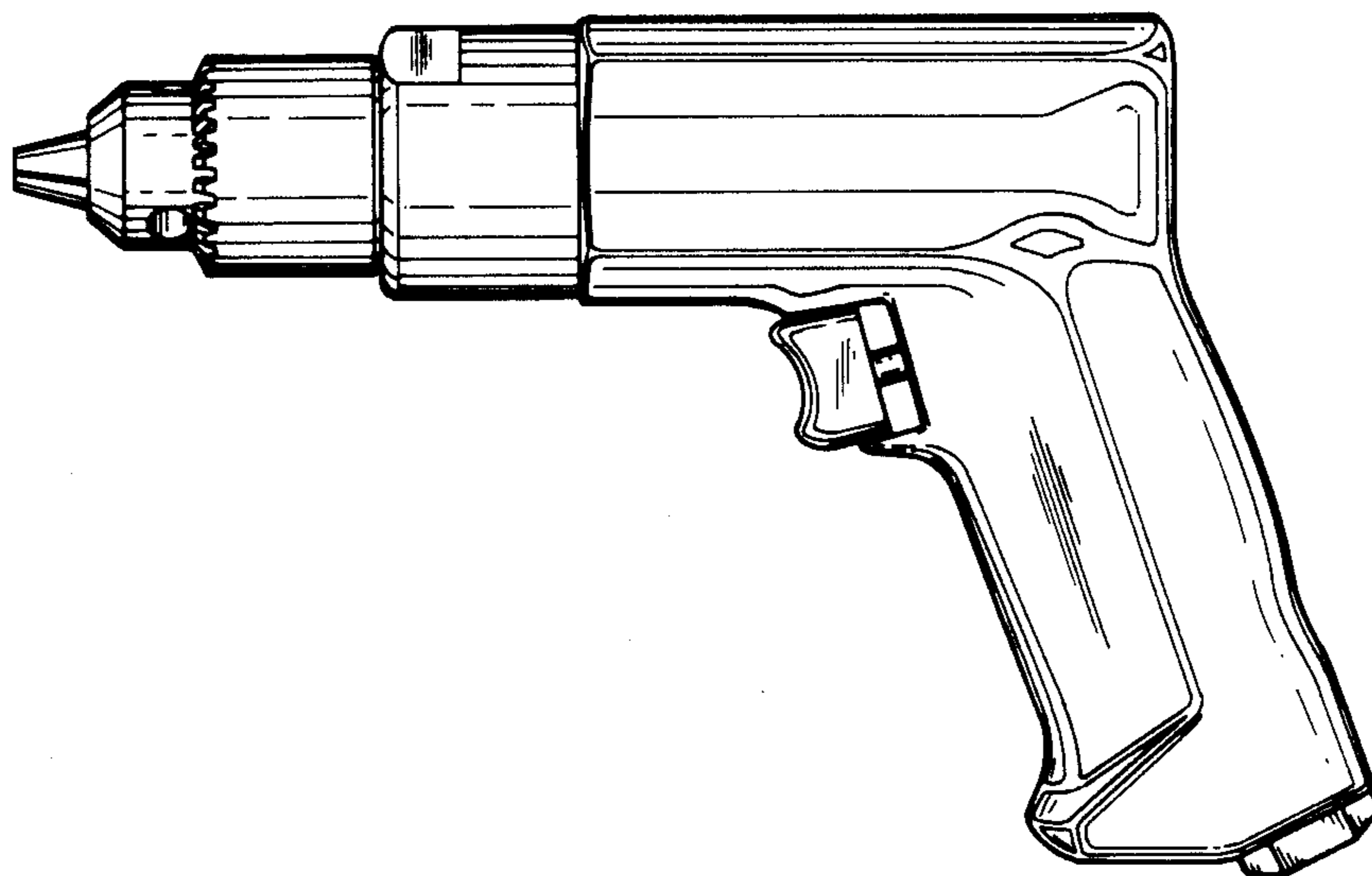
FIG. 2 is a side view of the left-hand side thereof. The right-hand side is identical with the left-hand side;

FIG. 3 is a rear end view thereof;

FIG. 4 is a top view thereof;

FIG. 5 is a bottom view thereof; and

FIG. 6 is a front end view thereof.



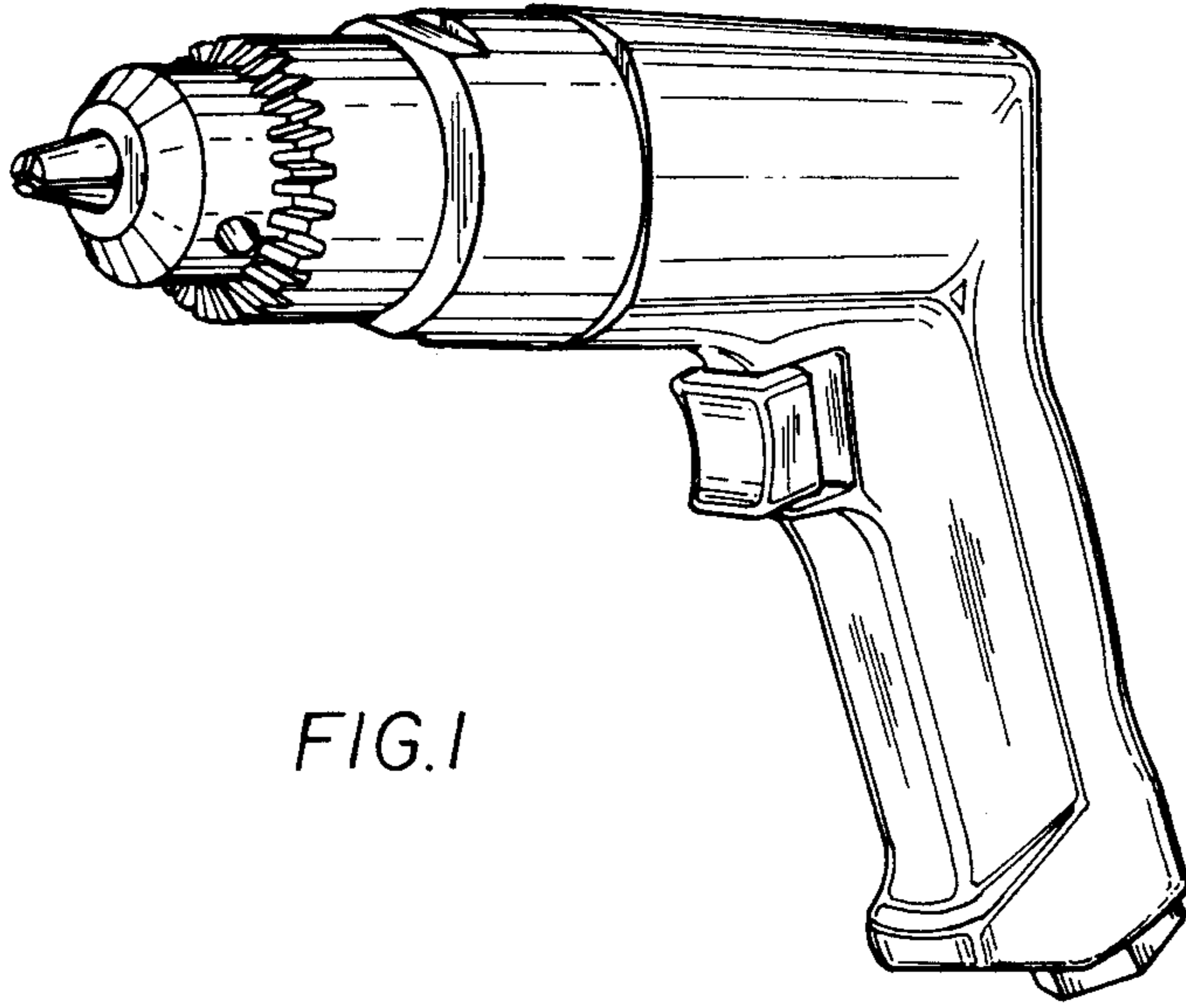


FIG. 1

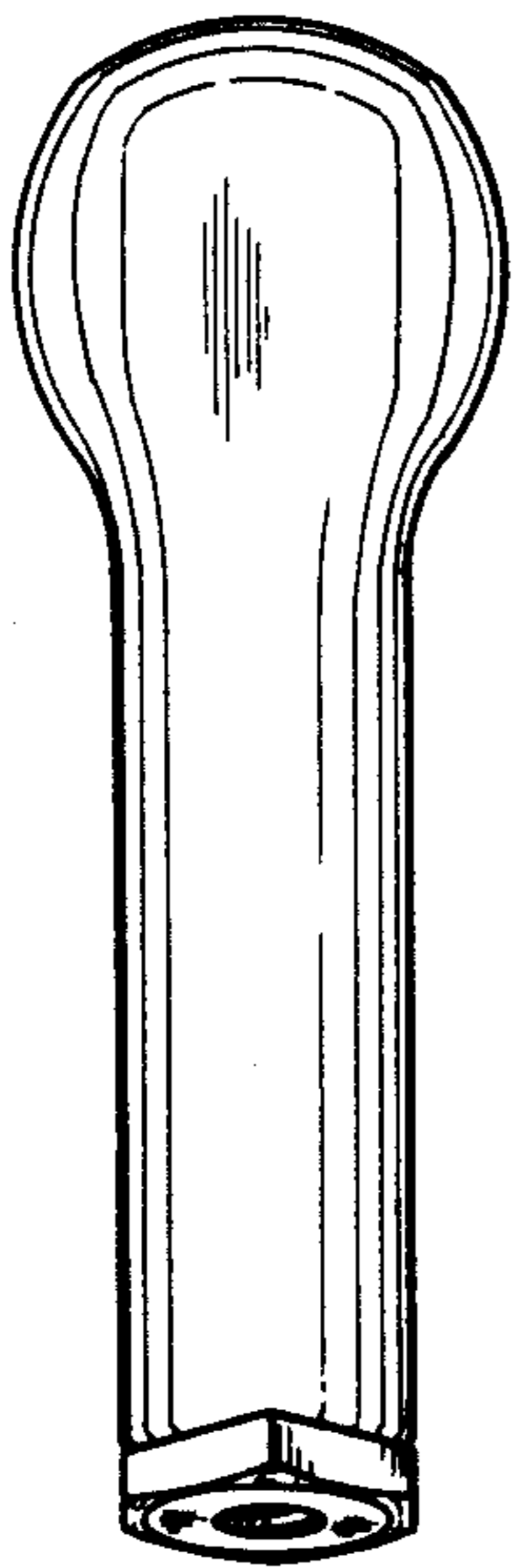


FIG. 3

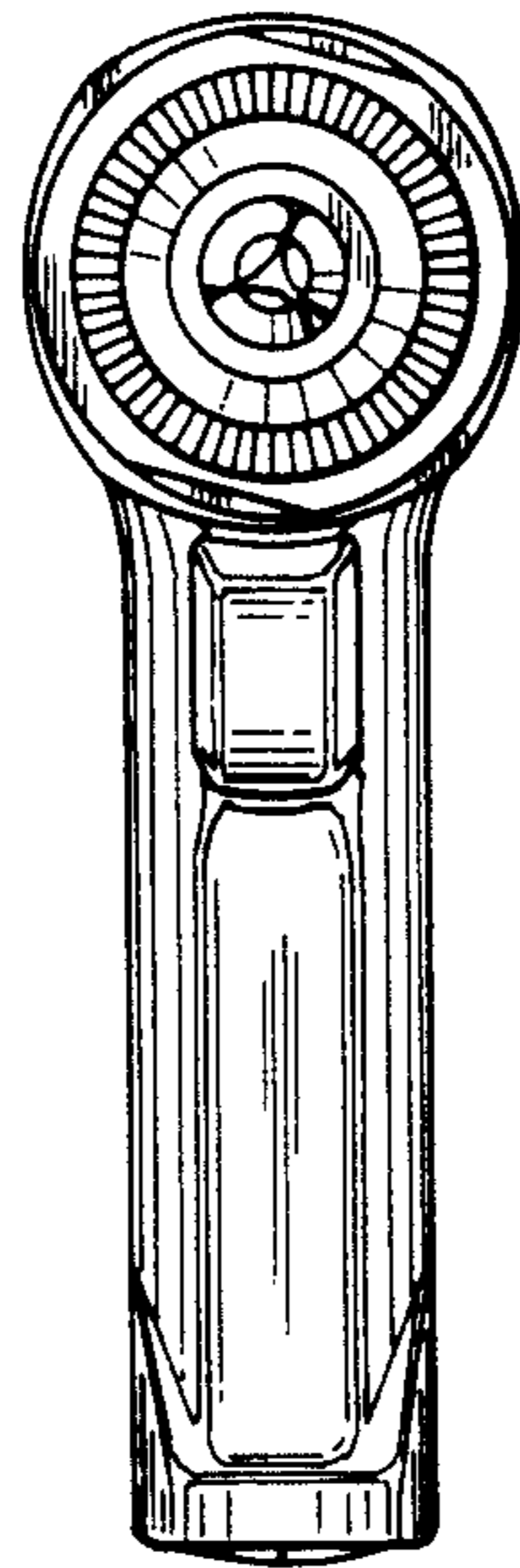


FIG. 6

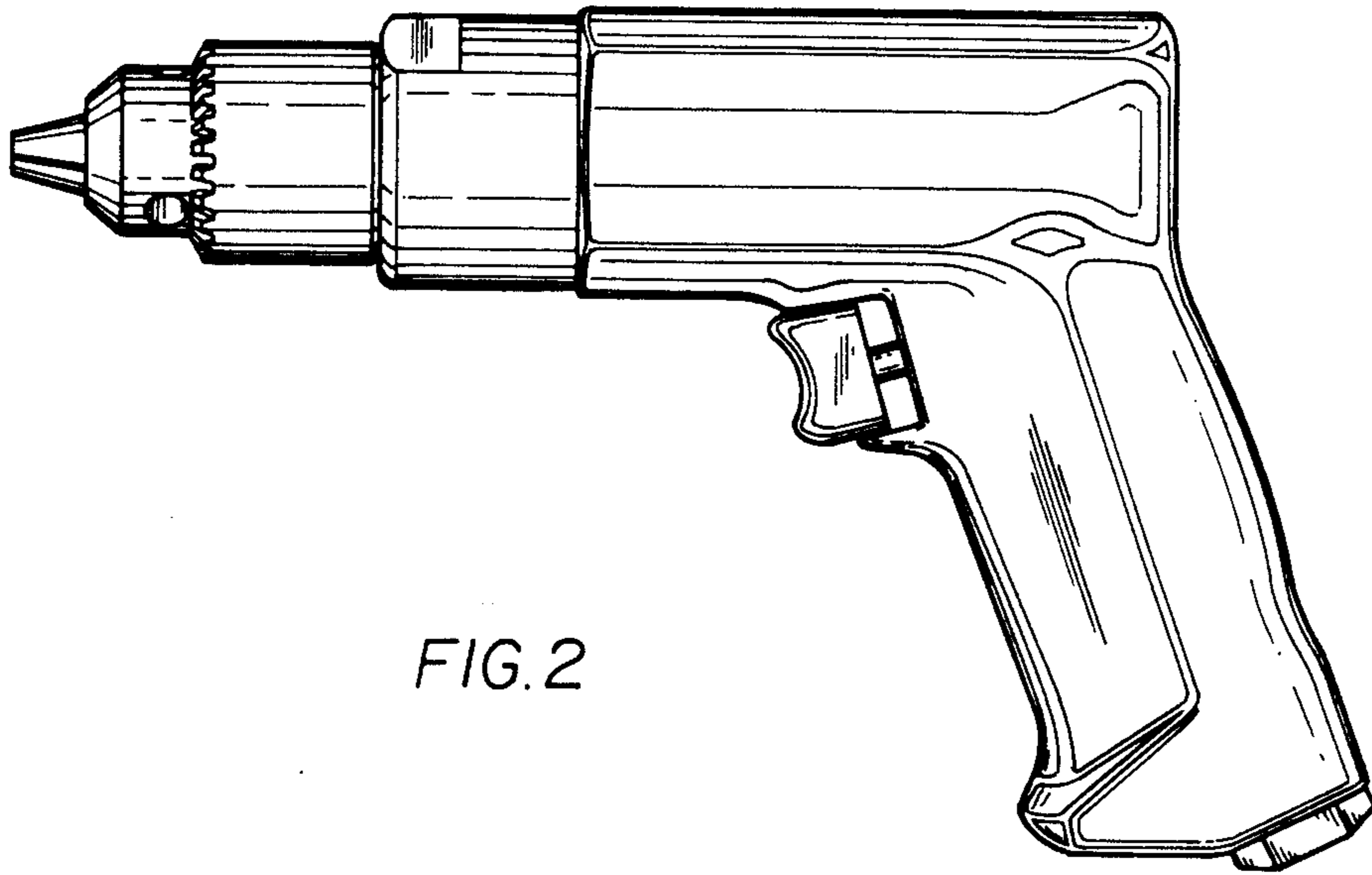


FIG. 2

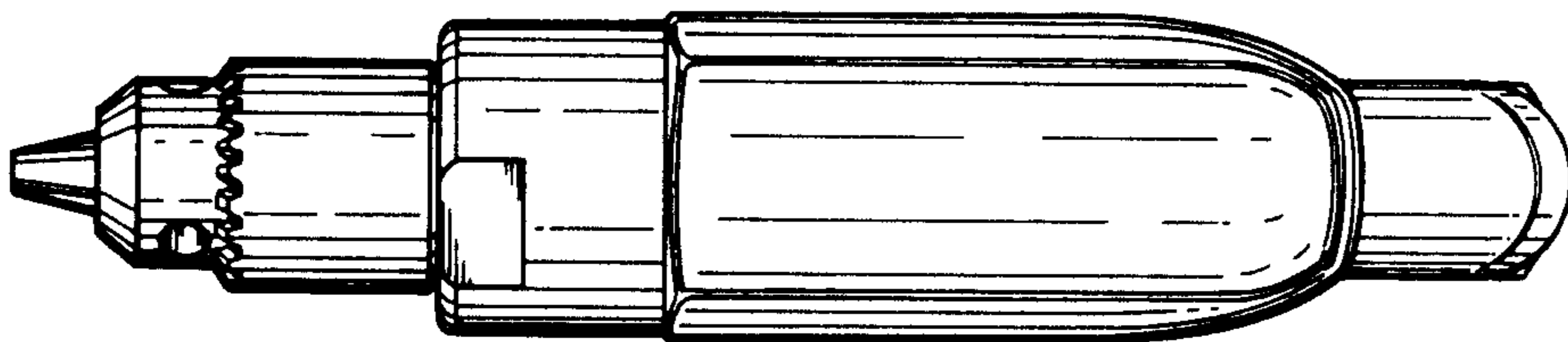


FIG. 4

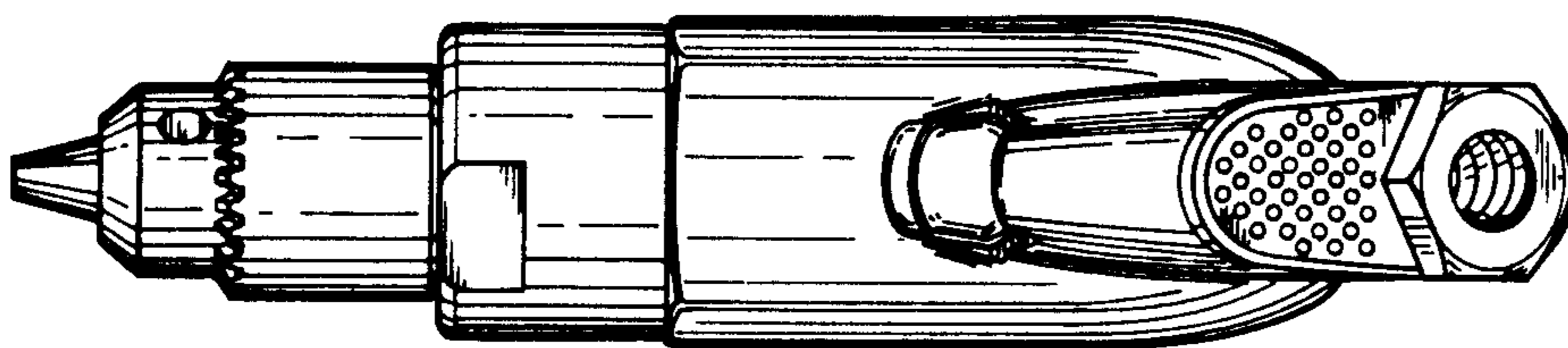


FIG. 5