

[54] IRON OR SIMILAR ARTICLE

[75] Inventor: John C. Shalvoy, Fairfield, Conn.

[73] Assignee: General Electric Company, New York, N.Y.

[\*\*] Term: 14 Years

[21] Appl. No.: 956,734

[22] Filed: Nov. 1, 1978

[51] Int. Cl. .... D7-05

[52] U.S. Cl. .... D7/202

[58] Field of Search ..... D7/202, 203, 204; 38/74-93

[56] References Cited

U.S. PATENT DOCUMENTS

D. 210,486	3/1968	Shalvoy .....	D7/202
4,031,638	6/1977	Ryckman, Jr. et al. ....	38/77.2
4,130,954	12/1978	Walker .....	38/77.83

OTHER PUBLICATIONS

Best Products 1977 Buyer's Book #120E, p. 256-6., "Self Clean II", Spray/Steam Iron. Housewares, Aug. 1977, p. 26, Hamilton Beach Smart Iron.

Primary Examiner—Catherine E. Kemper  
Attorney, Agent, or Firm—John F. Cullen; George R. Powers; Leonard J. Platt

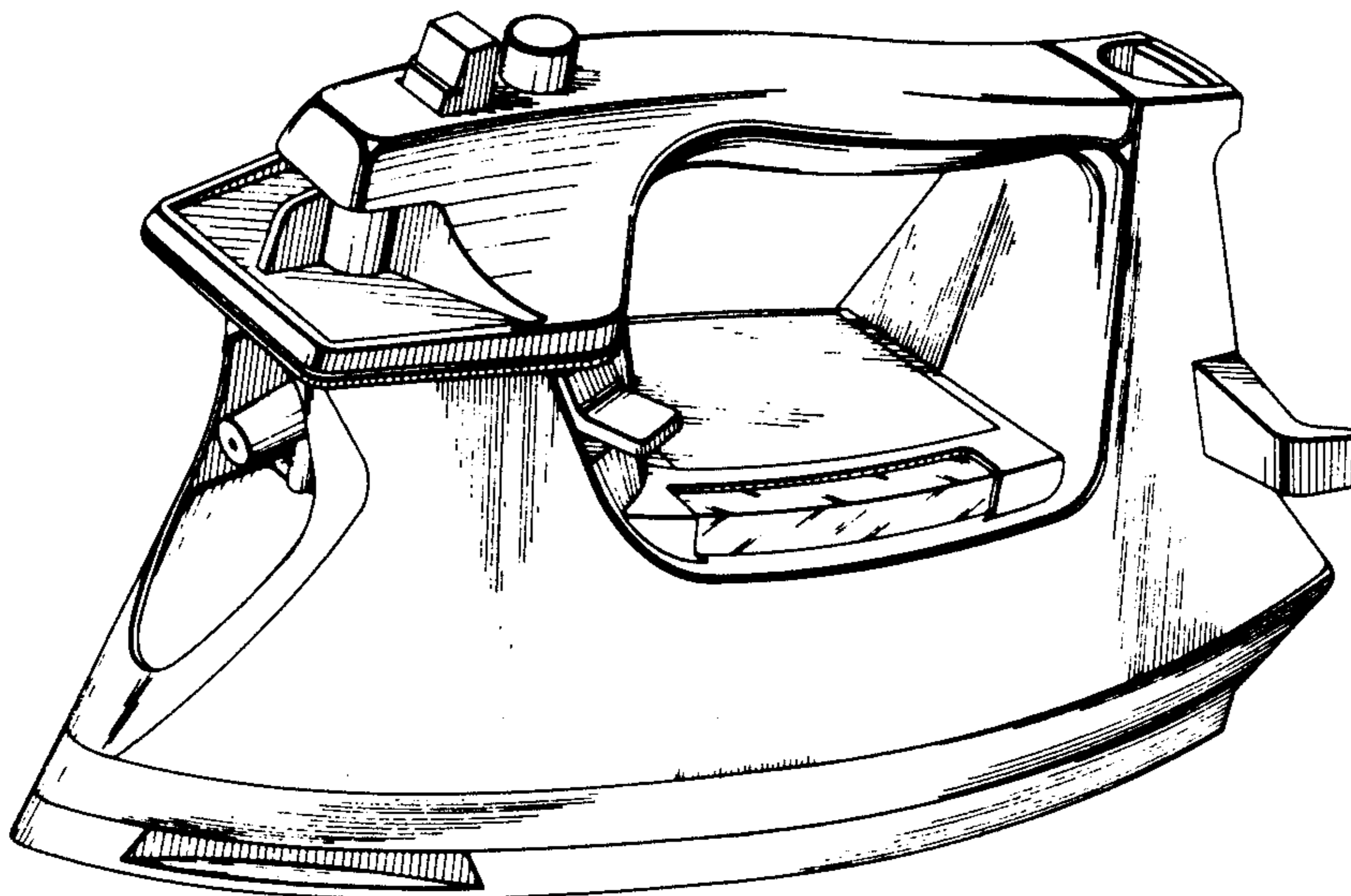
[57] CLAIM

The ornamental design for an iron or similar article, substantially as shown and described.

DESCRIPTION

FIG. 1 is a perspective view an iron or similar article showing my new design;  
FIG. 2 is a right side elevational view thereof;  
FIG. 3 is a left side view thereof;  
FIG. 4 is a top plan view thereof;  
FIG. 5 is a front elevational view thereof; and  
FIG. 6 is a rear elevational view thereof.

The bottom surface of the iron or similar article is planar, conventional, and unornamented.



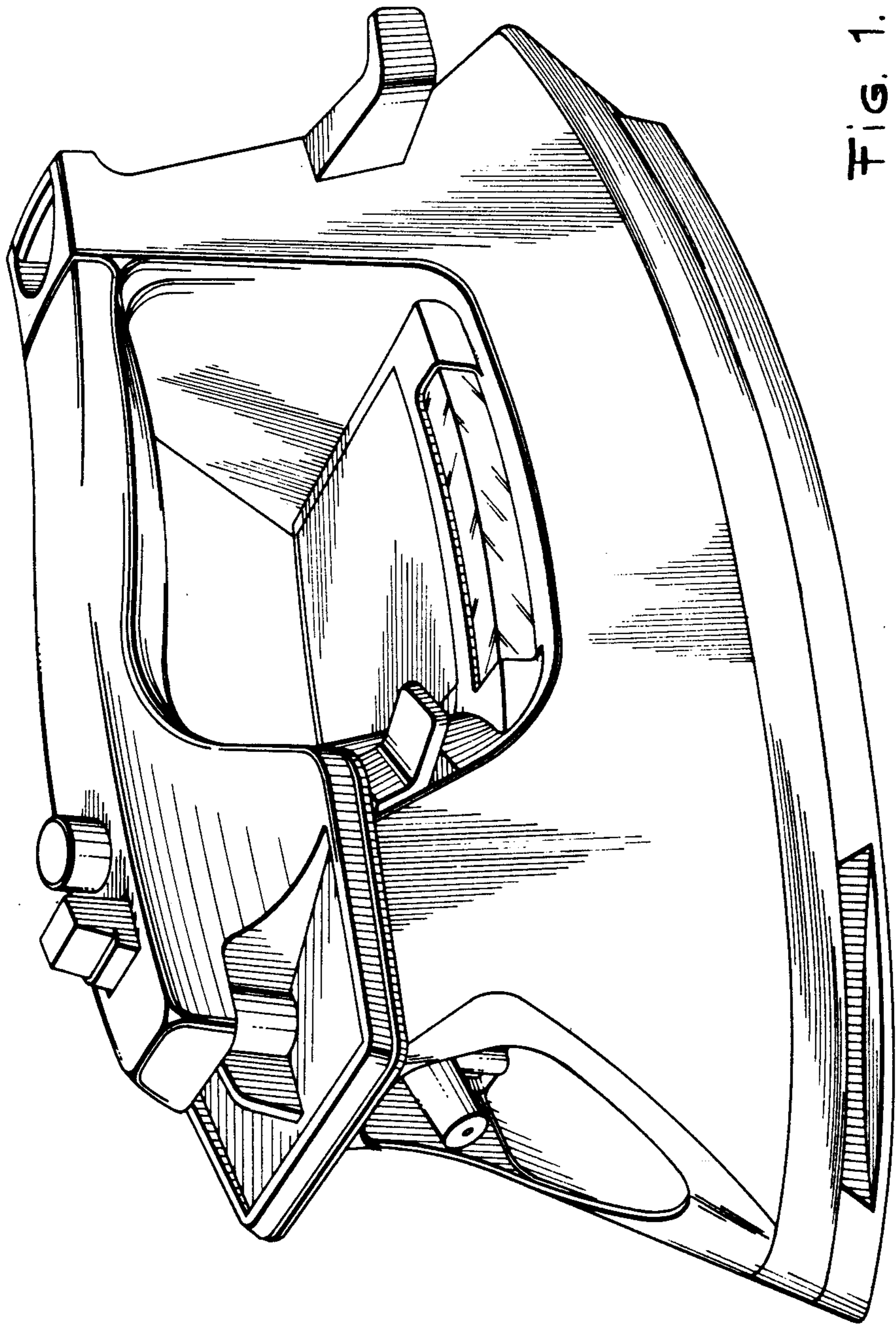


FIG. 1.

FIG. 2.

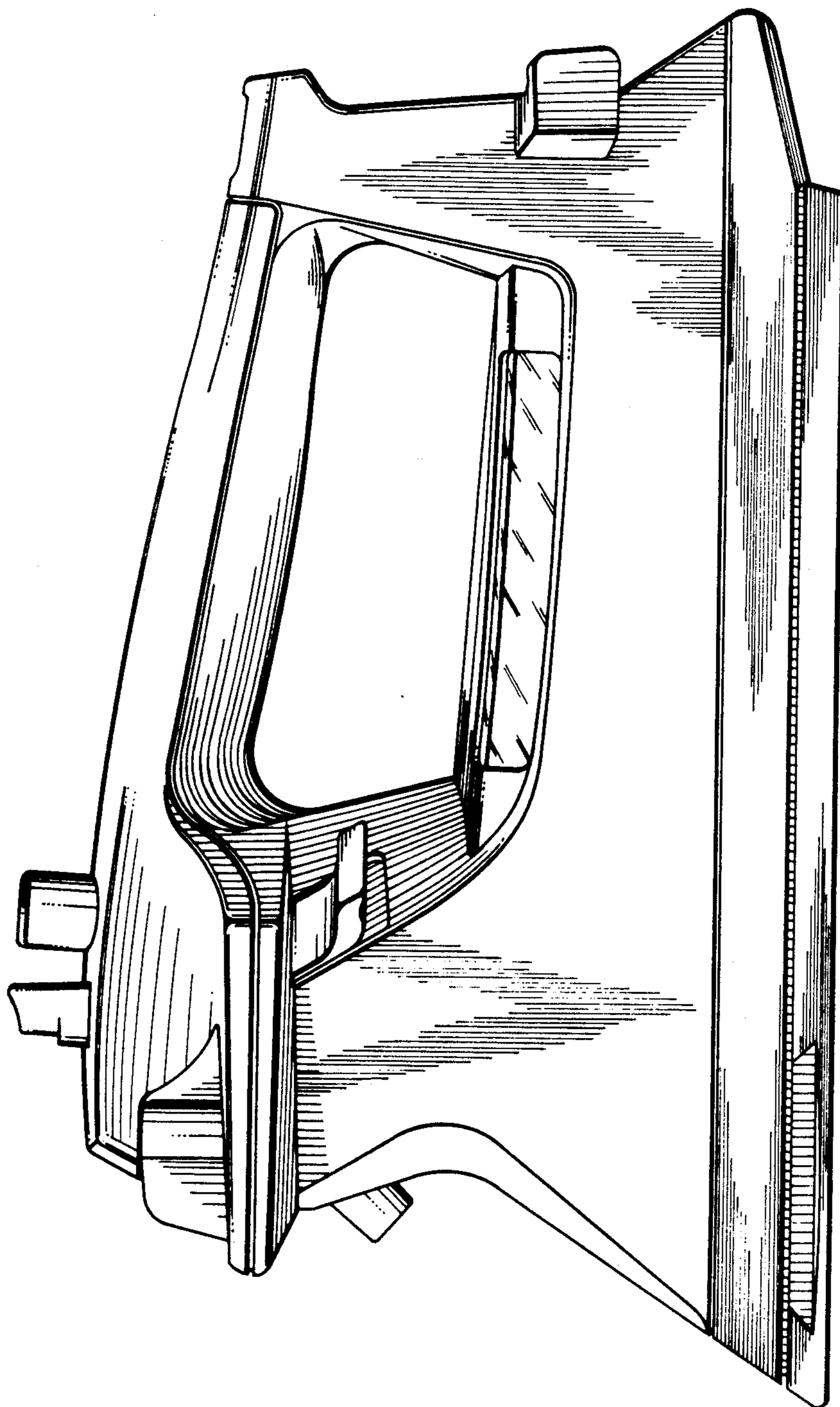


FIG. 3.

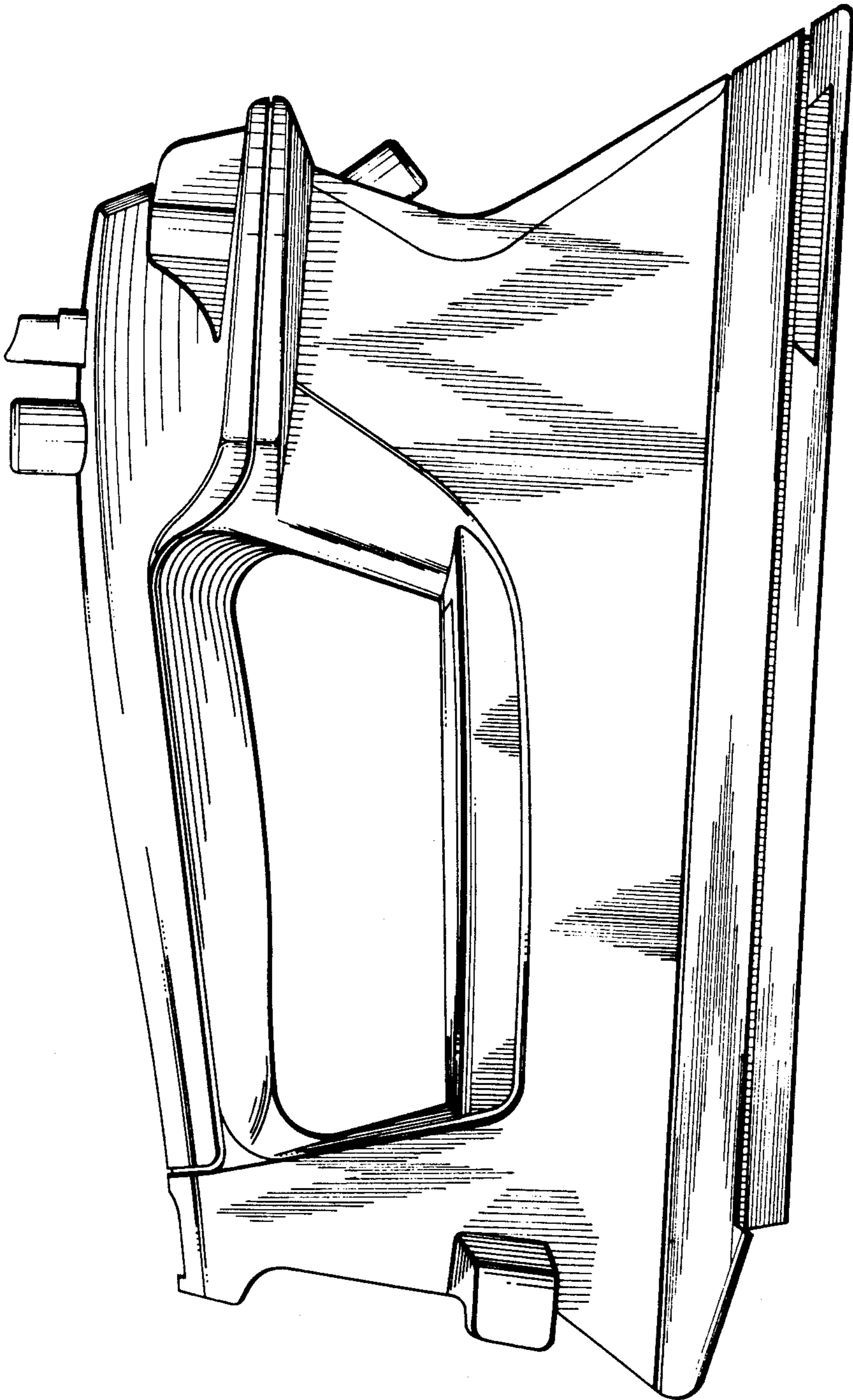


FIG. 4.

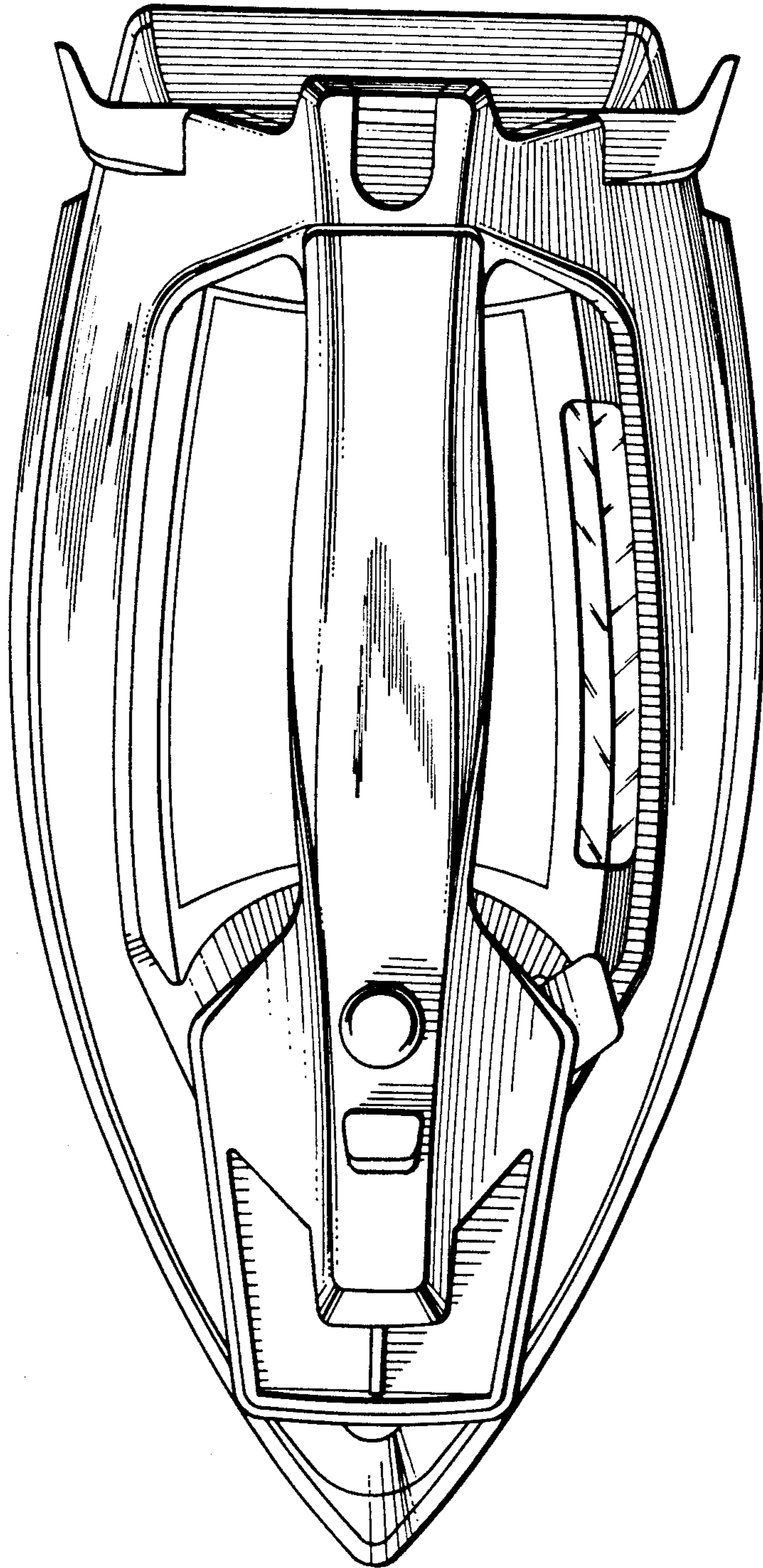


FIG. 6.

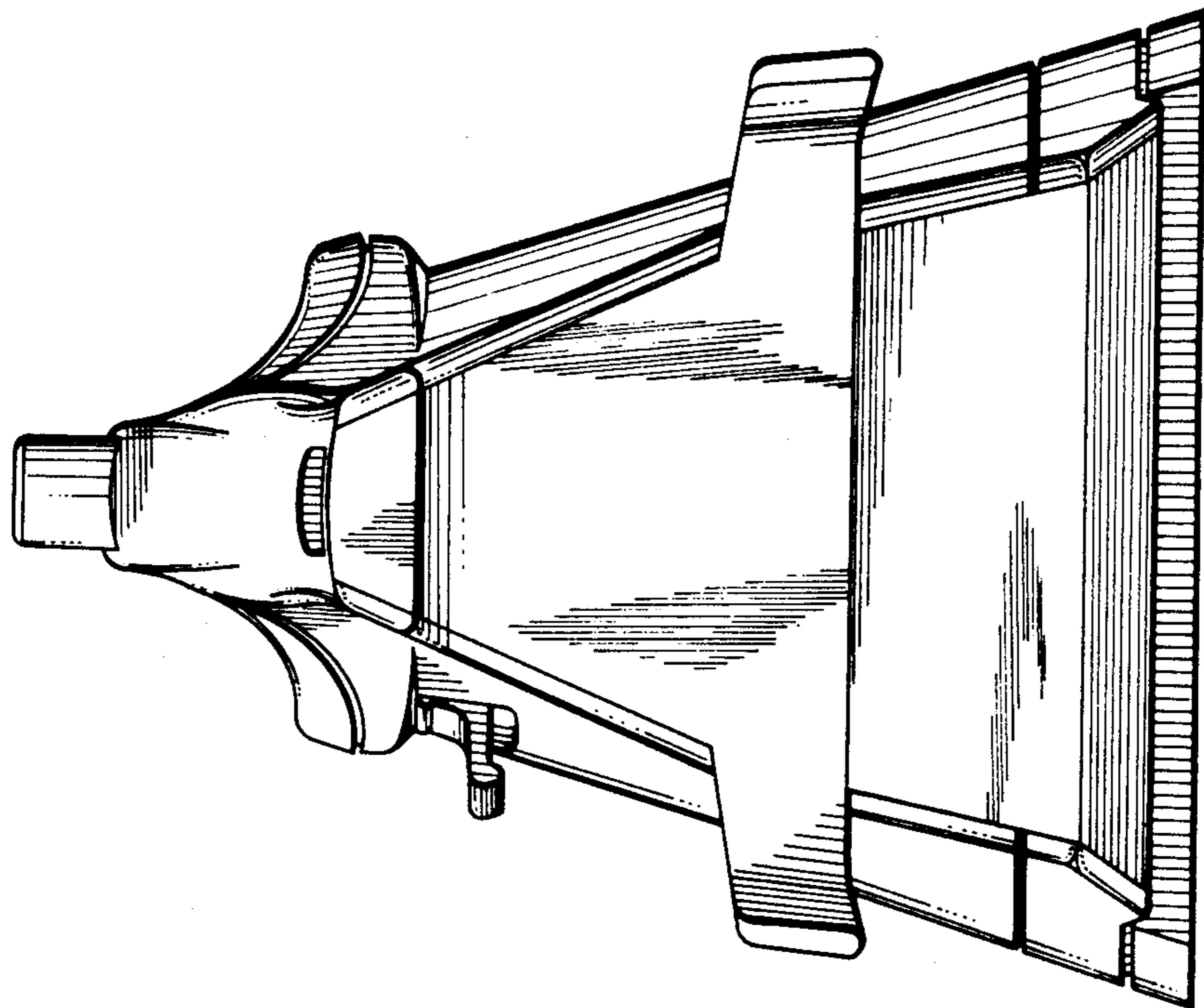


FIG. 5.

