

[54] COMBINED BARBEQUE AND SMOKER
[76] Inventor: Kenneth W. Mulder, 4707 Cherokee Rd., Tampa, Fla. 33609

[**] Term: 14 Years

[21] Appl. No.: 943,539

[22] Filed: Sep. 18, 1978

[51] Int. Cl. D7-02

[52] U.S. Cl. D7/108

[58] Field of Search D7/107, 108, 109, 110; 126/25 R, 25 A, 25 AA, 25 B, 25 C, 9 R, 9 A, 9 B, 29, 30, 268, 276; 99/467, 473, 481, 482, 421, 419, 444, 446, 447, 450

[56] References Cited

U.S. PATENT DOCUMENTS

D. 222,310 10/1971 Zaunbrecher D7/107
2,780,216 2/1957 Beaudoin 126/25 B

3,398,733 8/1968 Bradley 126/25 A
3,644,124 2/1972 Bedsole 99/482 X

Primary Examiner—Catherine E. Kemper
Attorney, Agent, or Firm—Stein & Frijouf

[57] CLAIM

The ornamental design for a combined barbeque and smoker, as shown and described.

DESCRIPTION

FIG. 1 is a side elevational view of a combined barbeque and smoker showing my new design, the opposite side being a mirror image thereof.

FIG. 2 is a front elevational view thereof.

FIG. 3 is a rear elevational view thereof.

FIG. 4 is a top plan view thereof.

FIG. 5 is a side elevational view of a combined barbeque and smoker shown with the top cover and front door open.

FIG. 6 is a plan view thereof.

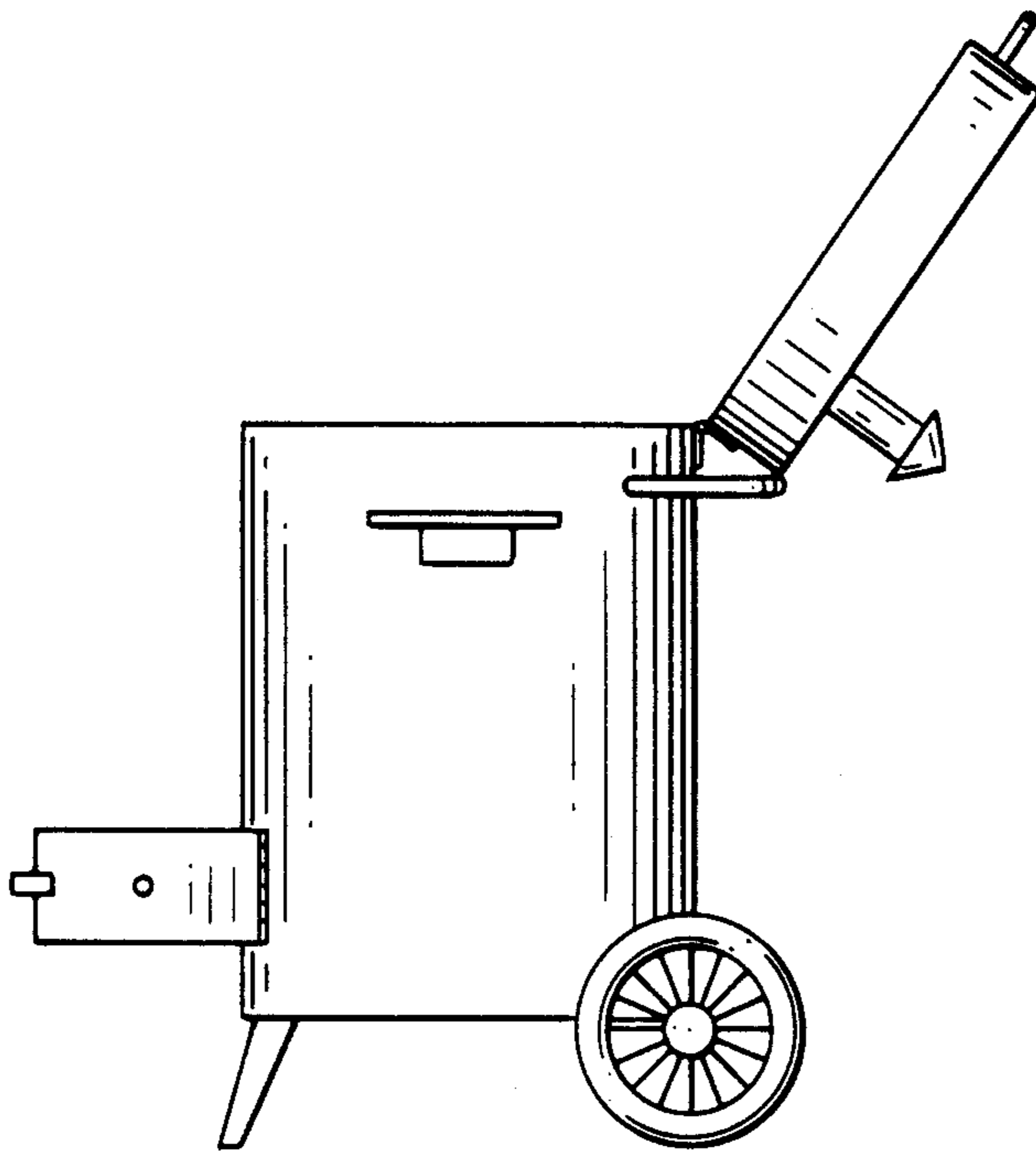


FIG.1

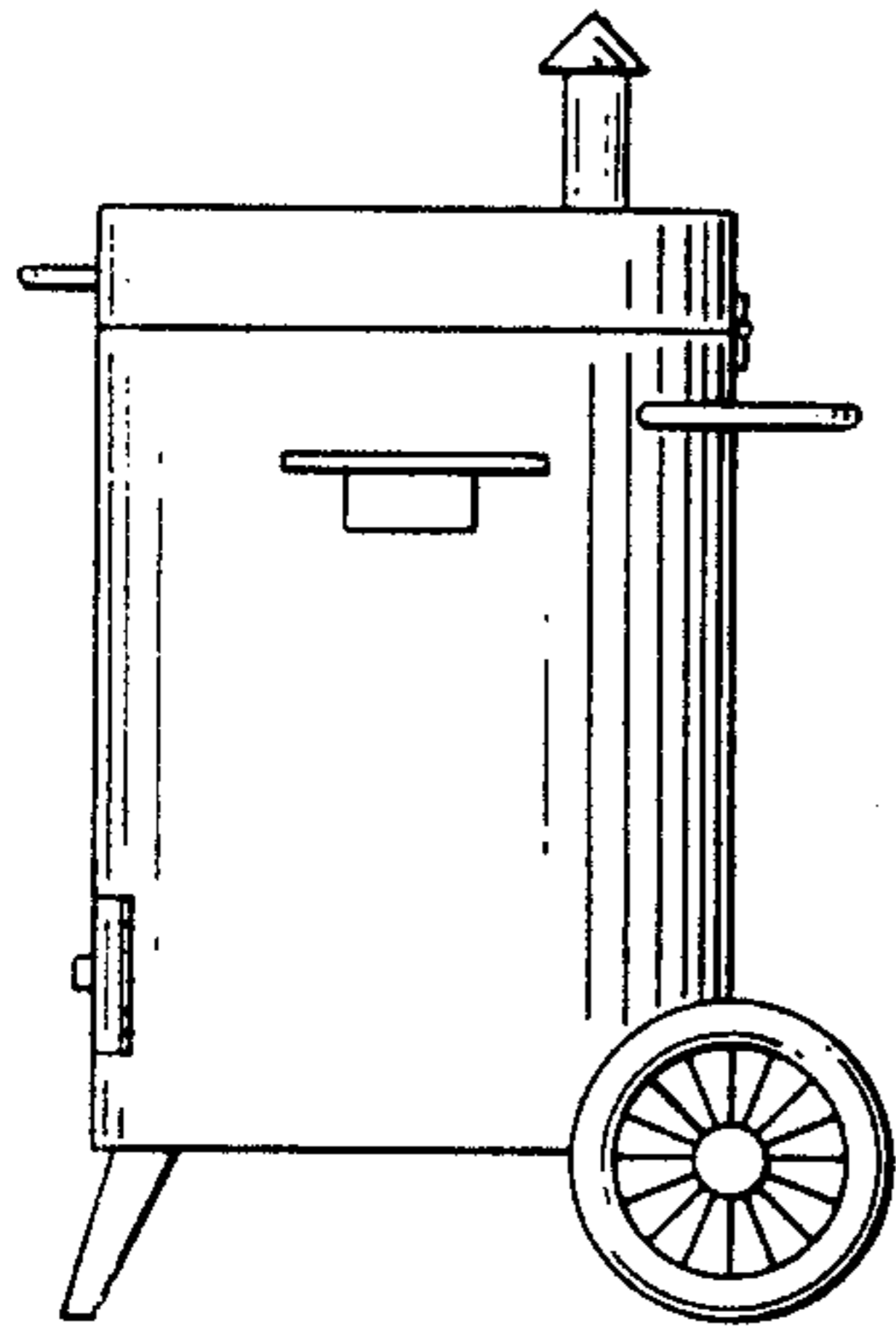


FIG.2

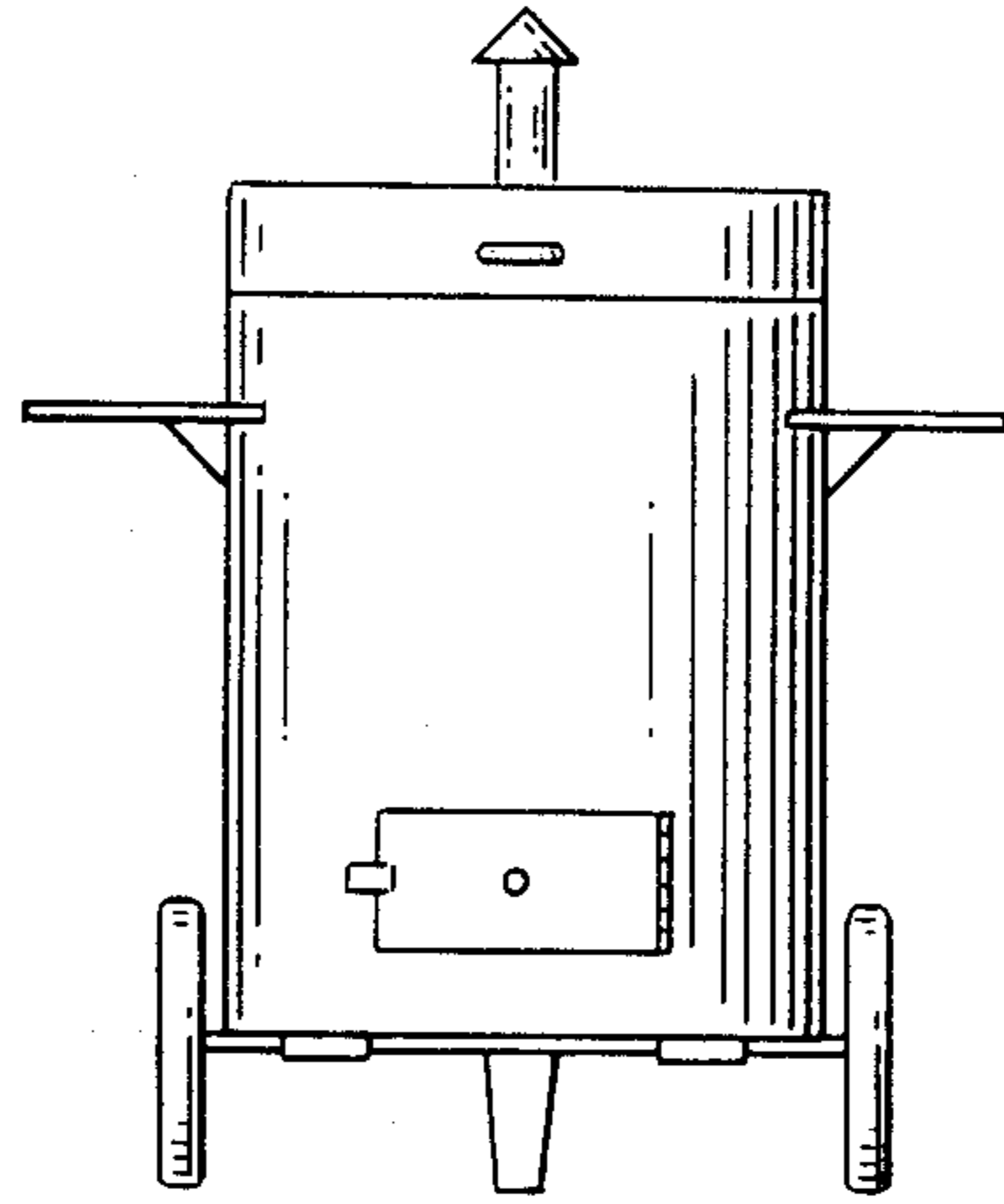


FIG.3

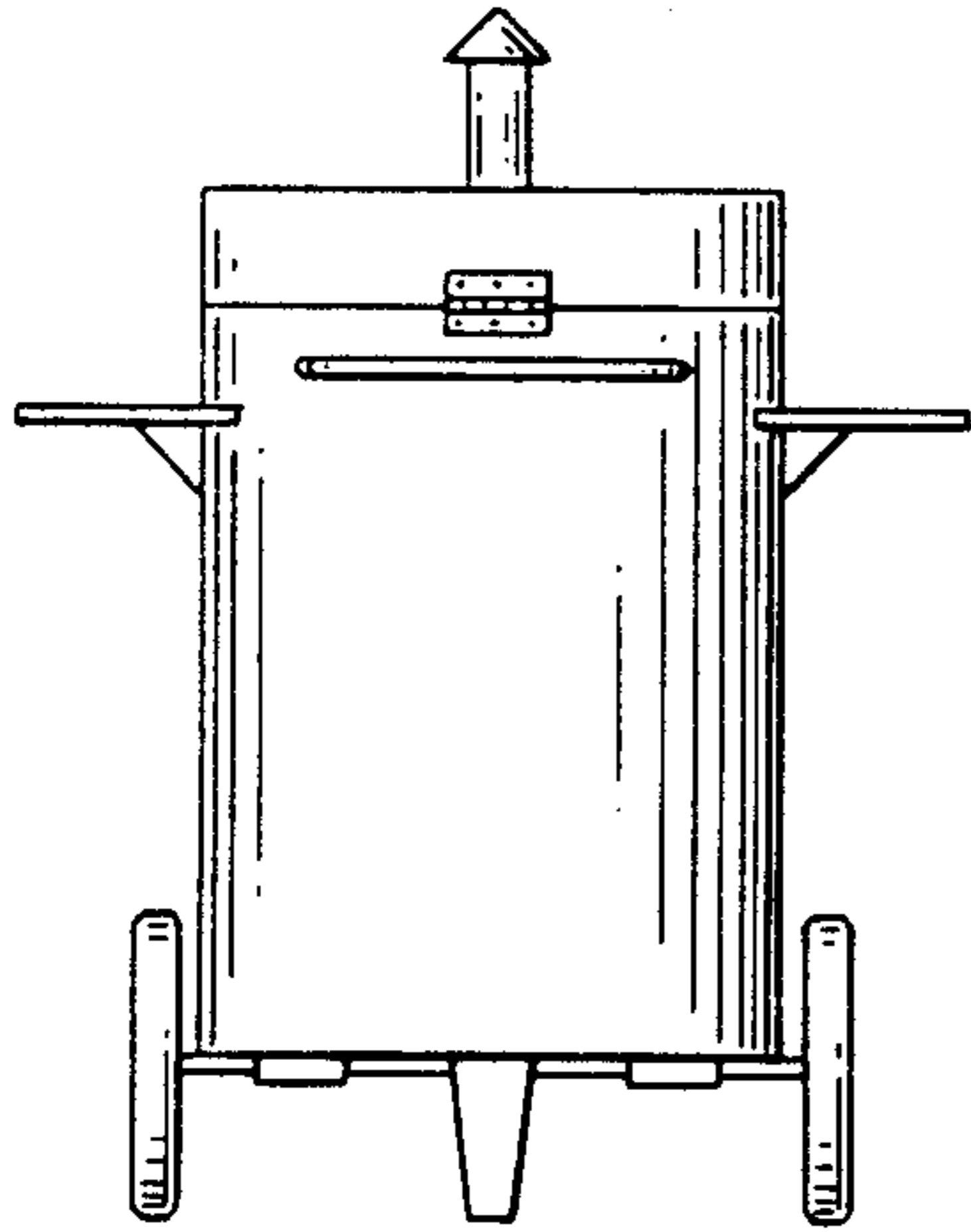


FIG.4

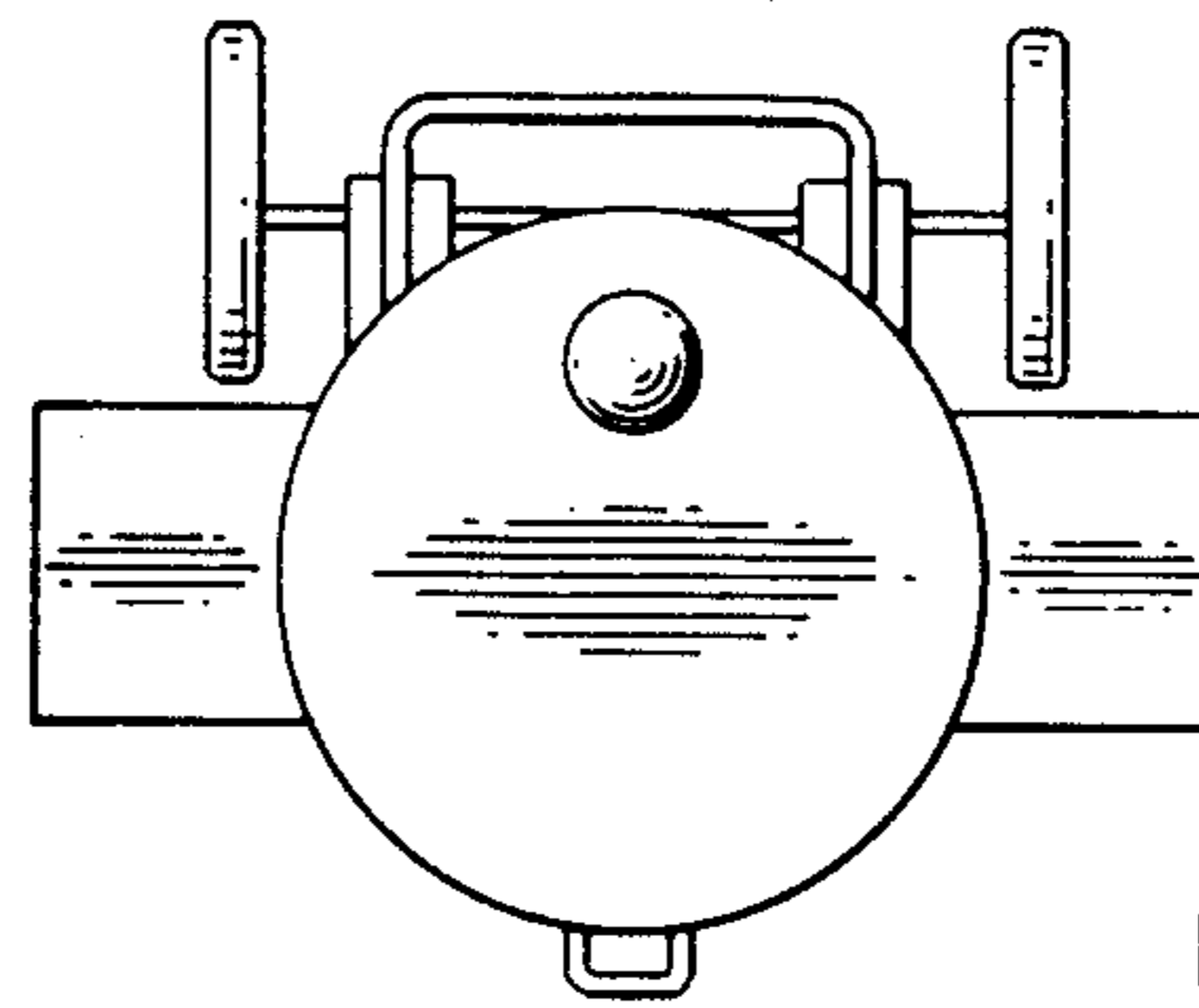


FIG.5

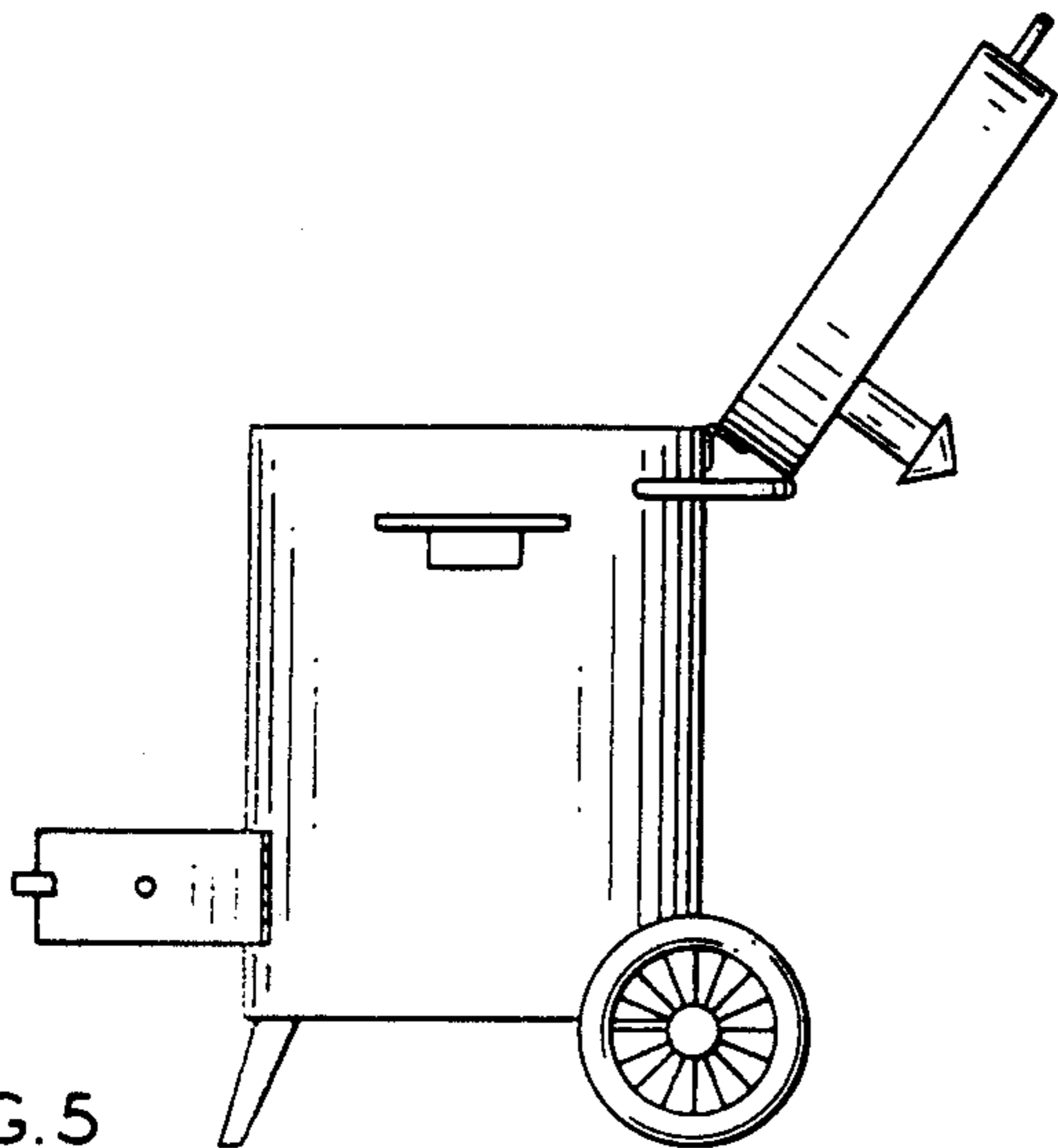


FIG.6

