

[54] DRAPERY WORK TABLE

[76] Inventors: Frances Amaro; Max Amaro, both of 1129 Lorna Dr., El Cajon, Calif. 92020

[**] Term: 14 Years

[21] Appl. No.: 34,456

[22] Filed: Apr. 30, 1979

[51] Int. Cl. D06-03

[52] U.S. Cl. D6/179; D6/85

[58] Field of Search D6/1, 4, 158, 159, 160, D6/161, 174, 175, 177, 179, 178, 176, 85; 108/106, 108, 147, 33, 146

[56] References Cited

U.S. PATENT DOCUMENTS

- D. 187,556 3/1960 Perdue D6/179
- D. 197,262 12/1963 Dobbins et al. D6/159

- D. 234,485 3/1975 Isles D6/177
- D. 237,930 12/1975 Demmer D6/179
- 758,431 4/1904 Edeline 108/147
- 3,938,766 2/1976 Herbolsheimer et al. 108/147
- 4,050,752 9/1977 Dykstra 108/147

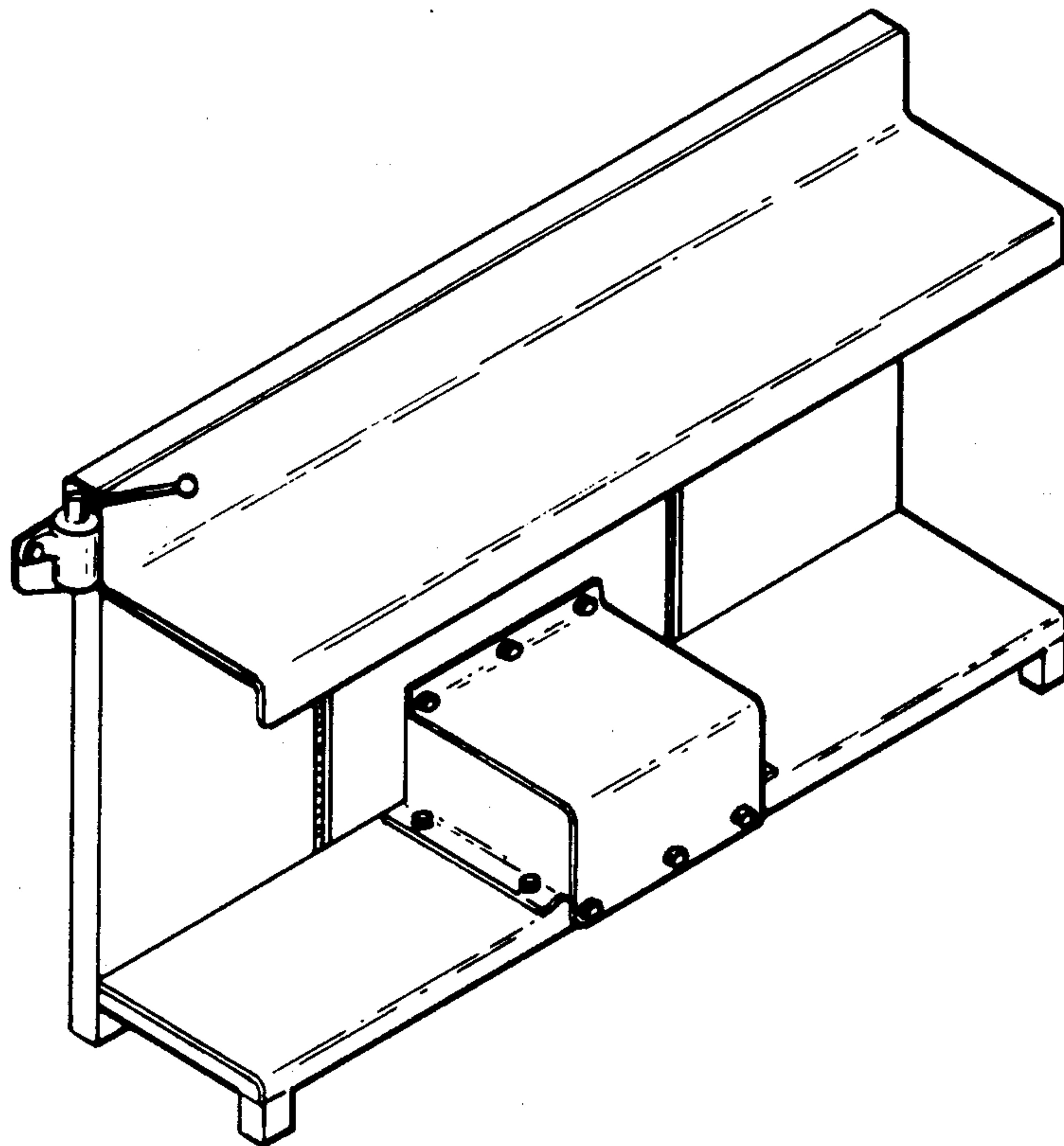
Primary Examiner—Joel Stearman
Assistant Examiner—Carmen H. Vales
Attorney, Agent, or Firm—John L. Haller

[57] CLAIM

The ornamental design for a drapery work table, as shown and described.

DESCRIPTION

FIG. 1 is a perspective view of a drapery work table showing my new design; FIG. 2 is a front elevational view thereof; FIG. 3 is a top plan view thereof; FIG. 4 is a rear elevational view thereof; and FIG. 5 is a left side elevational view thereof, the side opposite being substantially similar thereto.



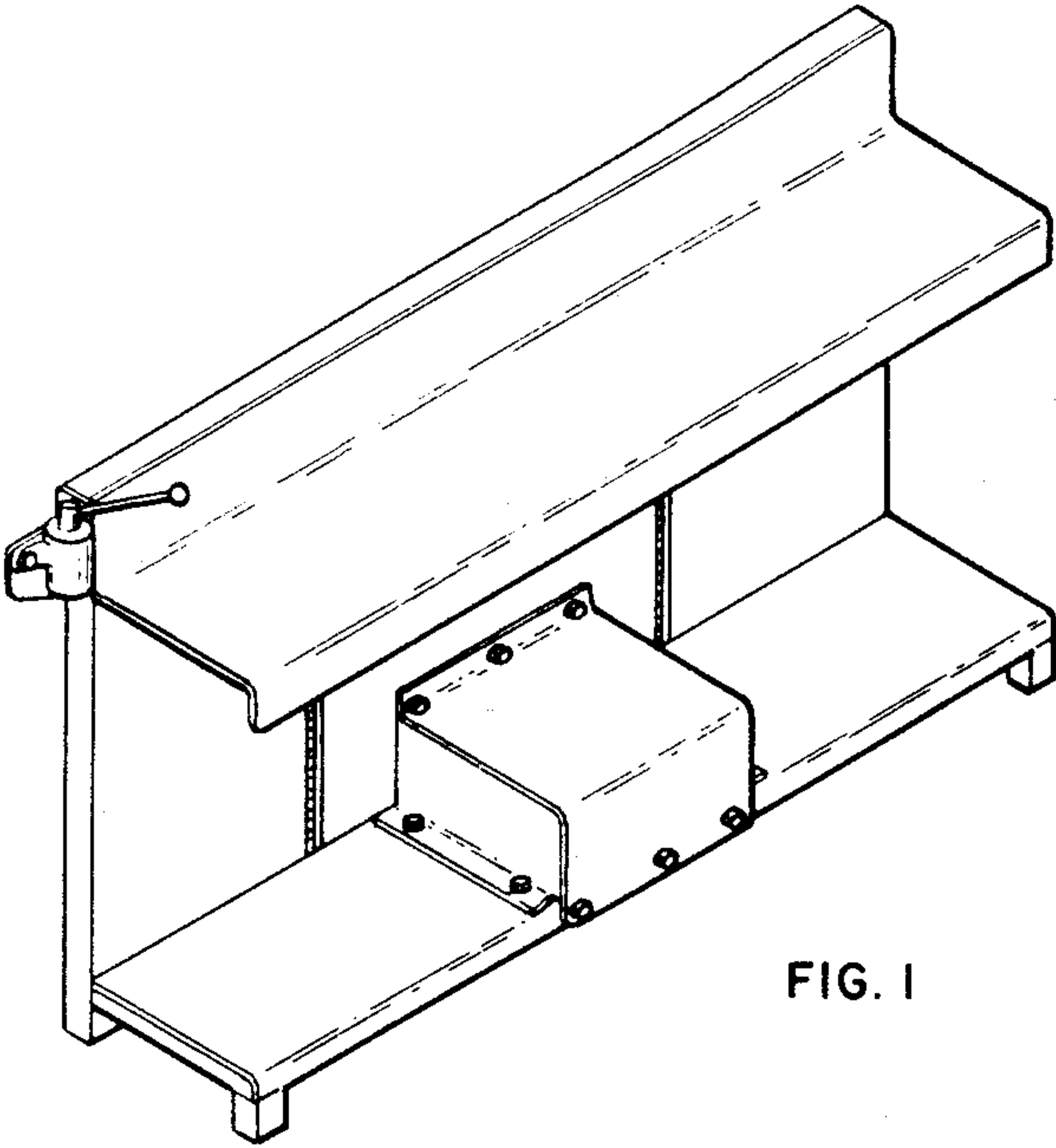


FIG. 1

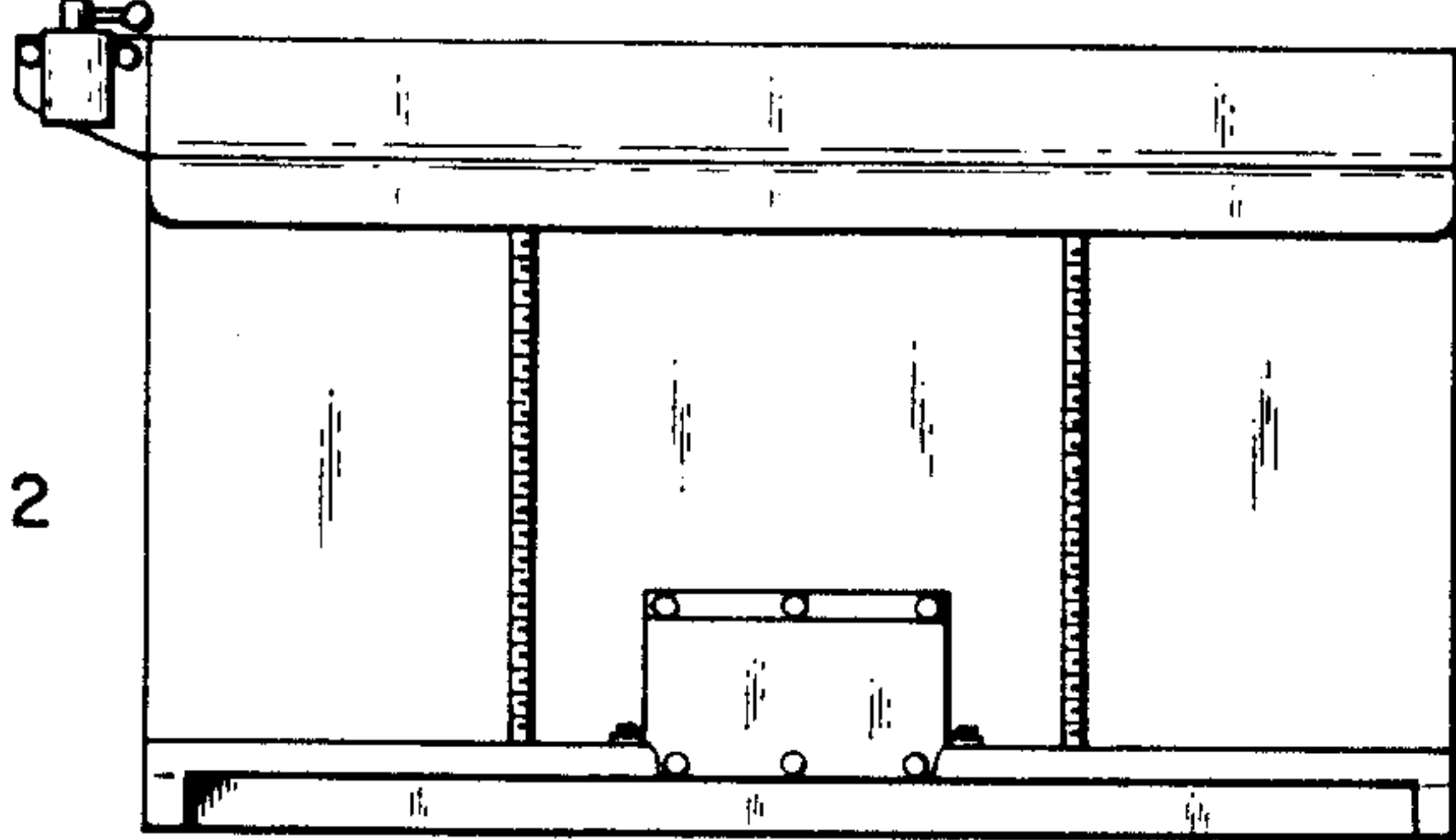


FIG. 2

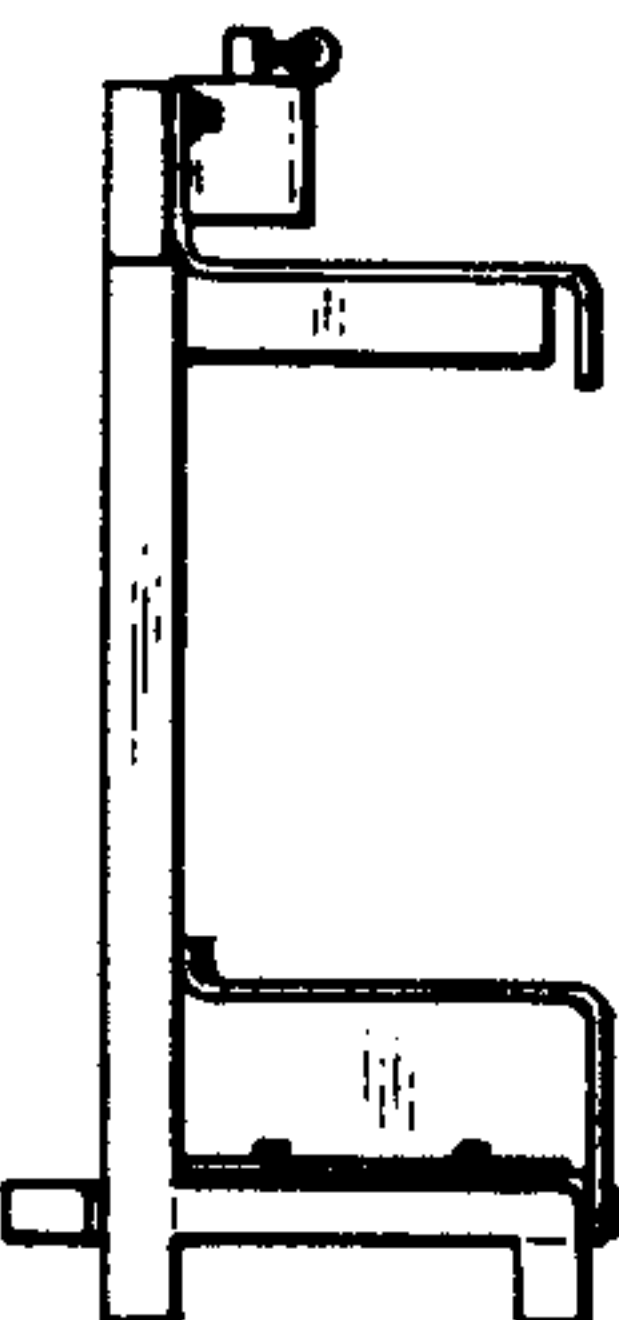


FIG. 5

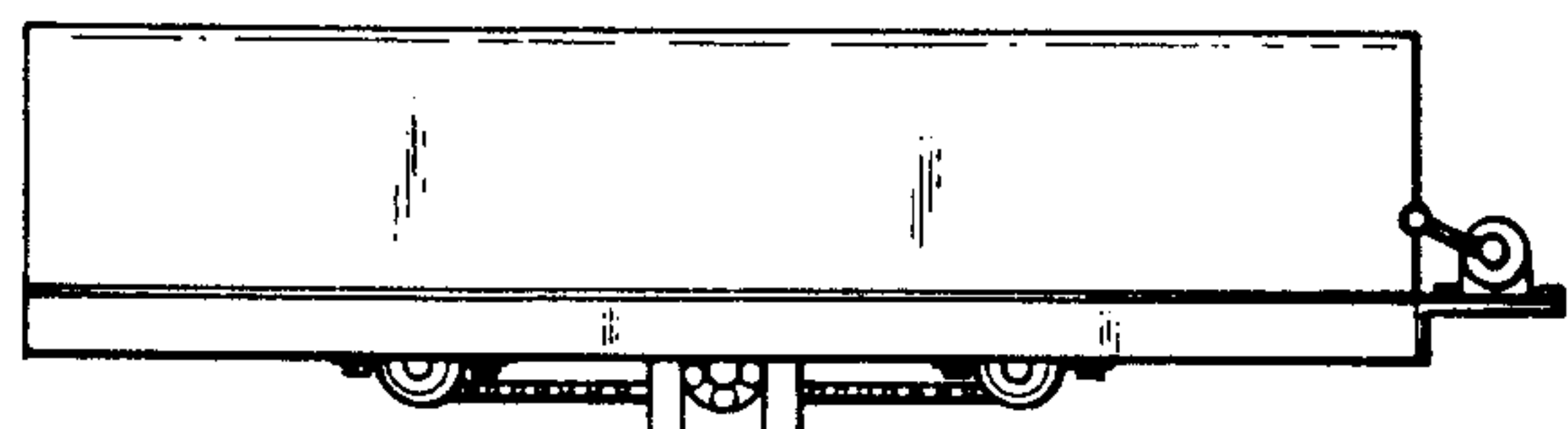


FIG. 3

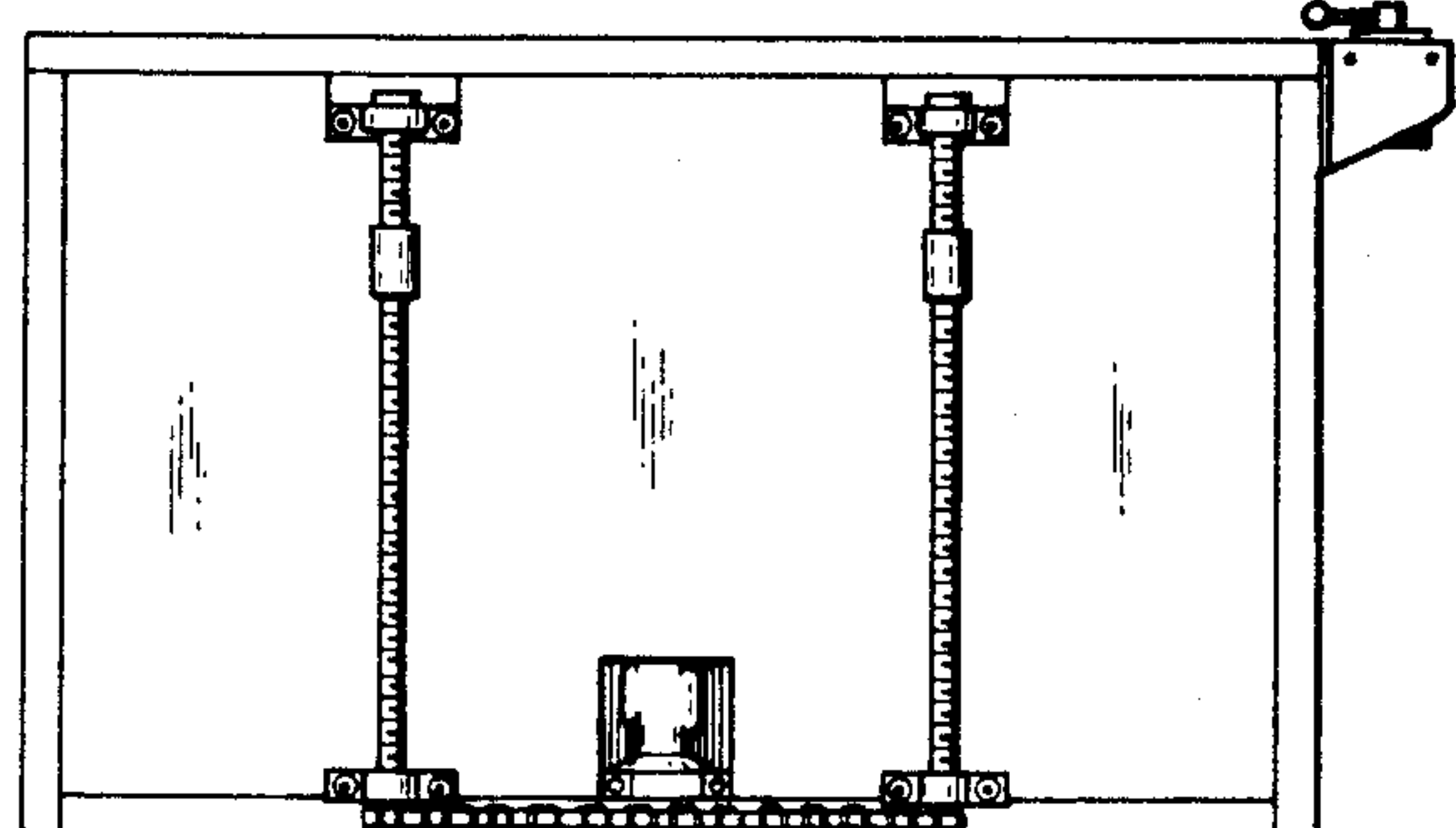


FIG. 4