

[54] COMBINED DESK AND STORAGE CABINET

[76] Inventor: Joseph T. Verdesca, 5604 Lobello Dr., Dallas, Tex. 75229

[\*\*] Term: 14 Years

[21] Appl. No.: 925,319

[22] Filed: Jul. 17, 1978

[51] Int. Cl. .... D06-04  
[52] U.S. Cl. .... D6/168; D6/161  
[58] Field of Search ..... D6/158, 159, 160, 161, D6/162, 163, 164, 165, 166, 167, 168, 169, 170, 177; 312/194, 196, 304

[56] References Cited  
U.S. PATENT DOCUMENTS

D. 139,859 12/1944 Kump, Jr. .... D6/167  
D. 250,380 11/1978 Verdesca et al. .... D6/177

OTHER PUBLICATIONS

Design No. 314, Feb. 1975; p. 1 center Desk.  
Scandiline Compact Cat., p. 10 Desk No. V3170 DB.

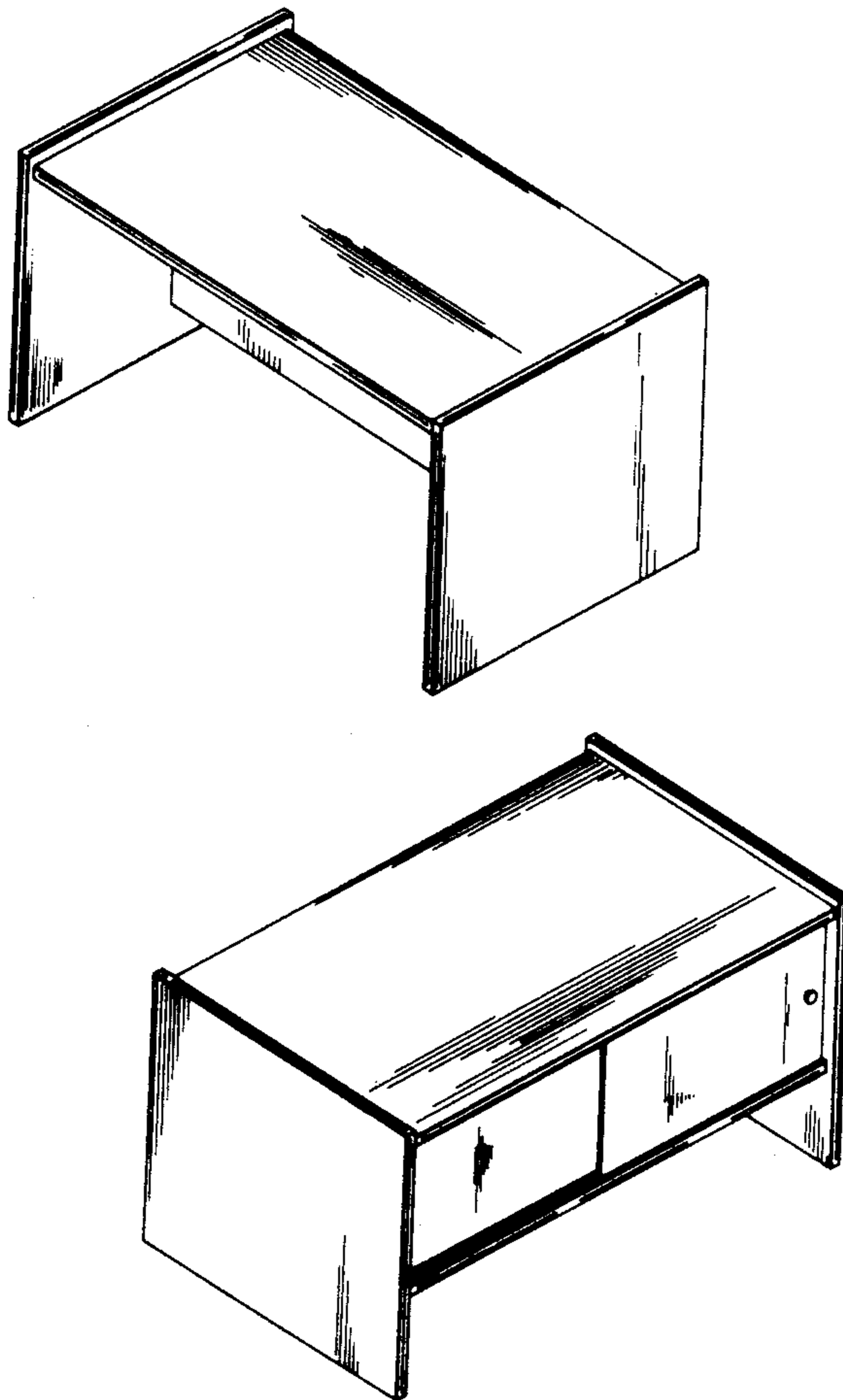
Primary Examiner—Joel Stearman  
Assistant Examiner—Carmen H. Vales  
Attorney, Agent, or Firm—Richards, Harris & Medlock

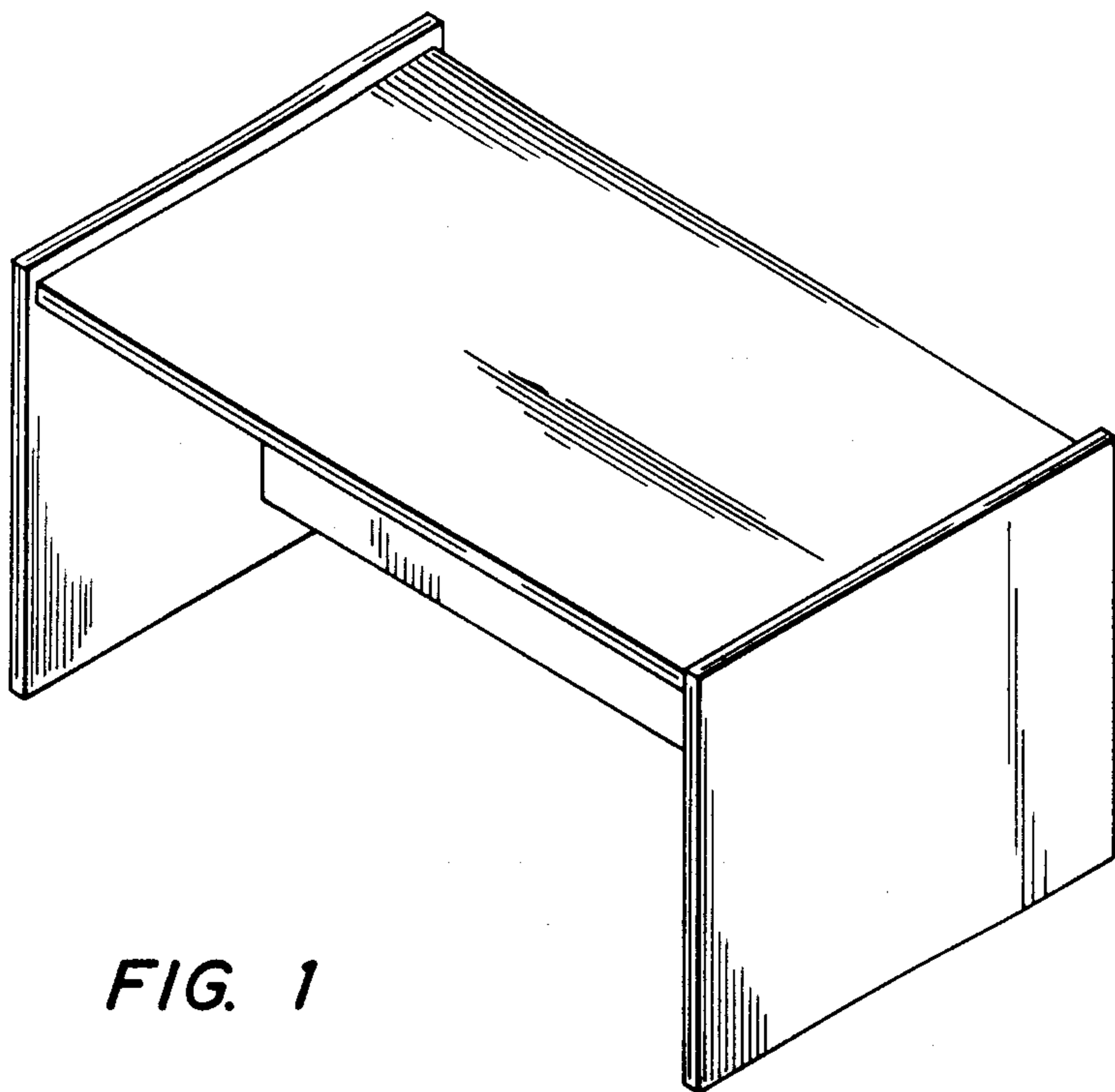
[57] CLAIM

The ornamental design for a combined desk and storage cabinet, as shown.

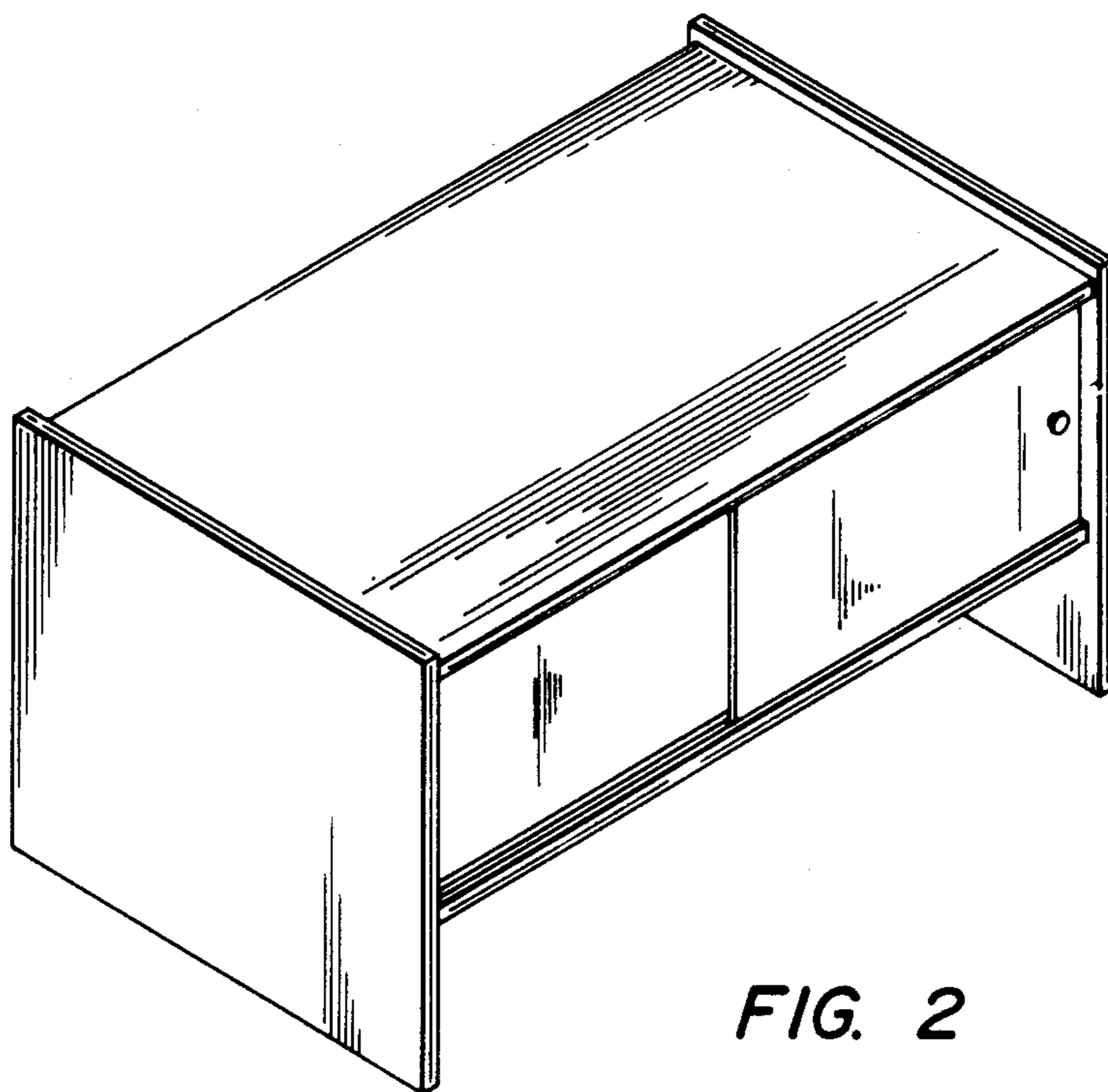
DESCRIPTION

FIG. 1 is a front perspective view of a combined desk and storage cabinet showing my new design; FIG. 2 is a rear perspective view thereof; FIG. 3 is a side elevational view thereof; the opposite side being a mirror image thereof; FIG. 4 is a rear elevational view thereof; FIG. 5 is a front elevational view thereof; FIG. 6 is a sectional view taken along line 6-6 of FIG. 5; FIG. 7 is a top plan view thereof; and FIG. 8 is a bottom plan view thereof.





*FIG. 1*



*FIG. 2*

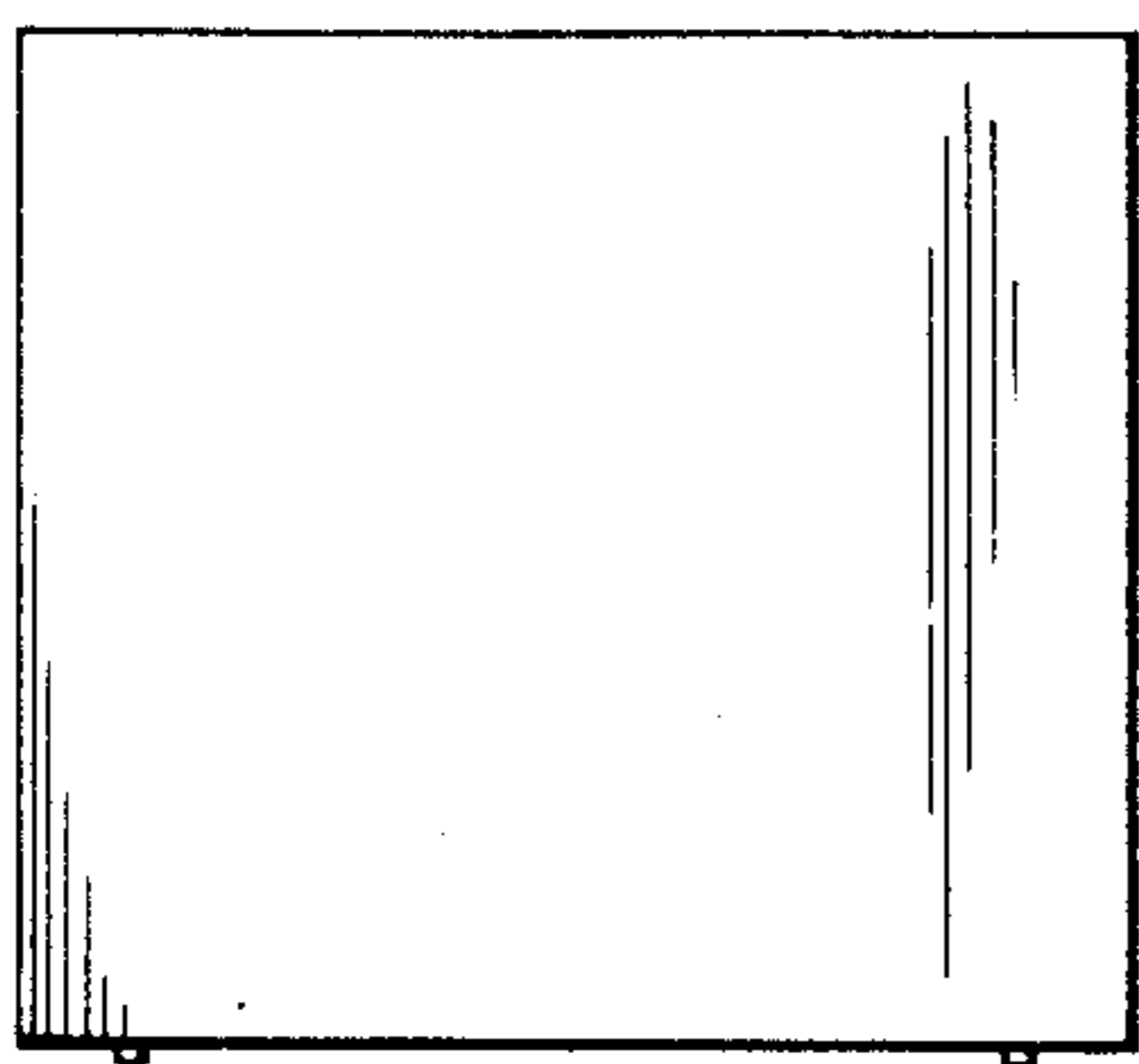


FIG. 3

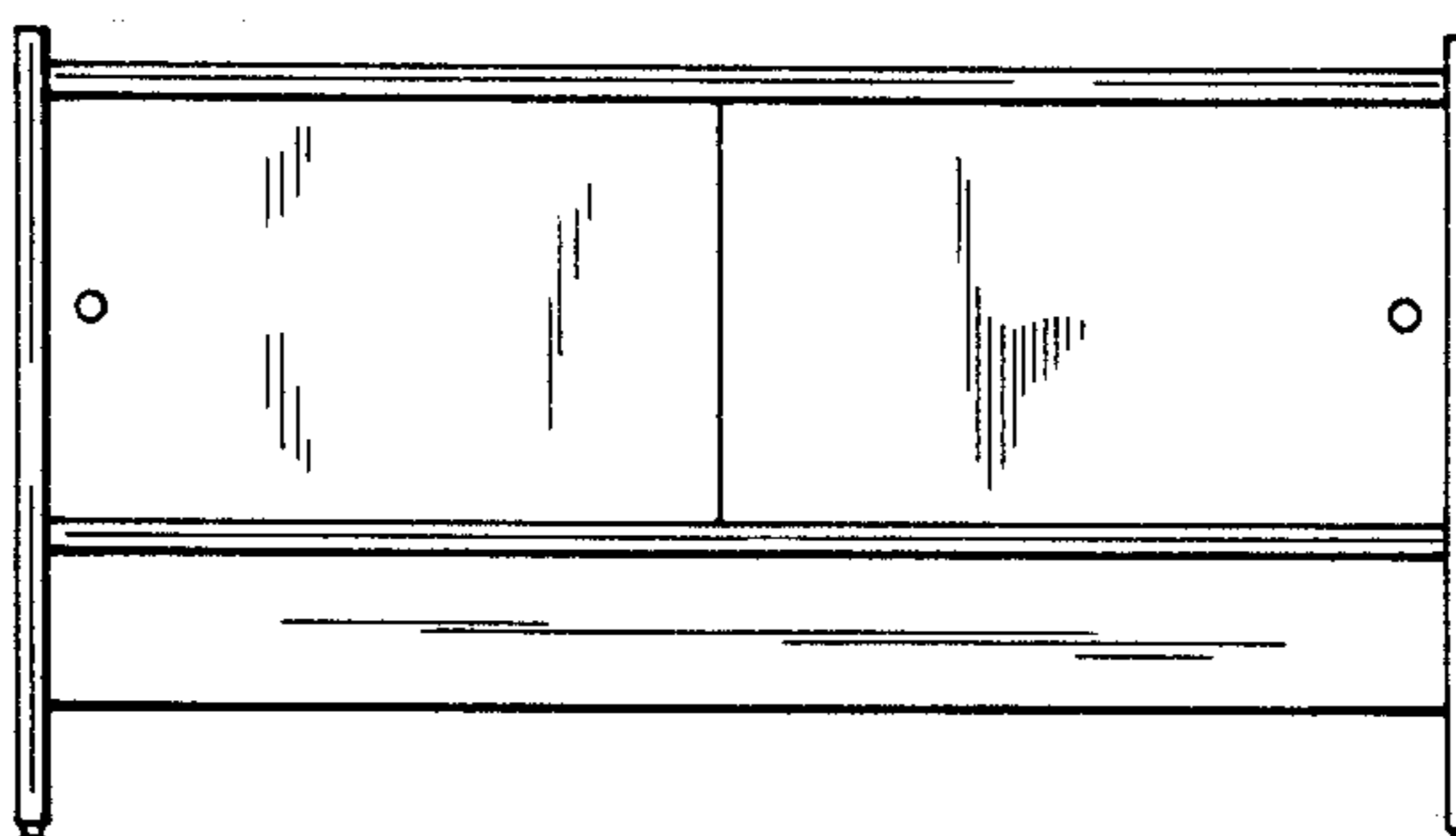


FIG. 4

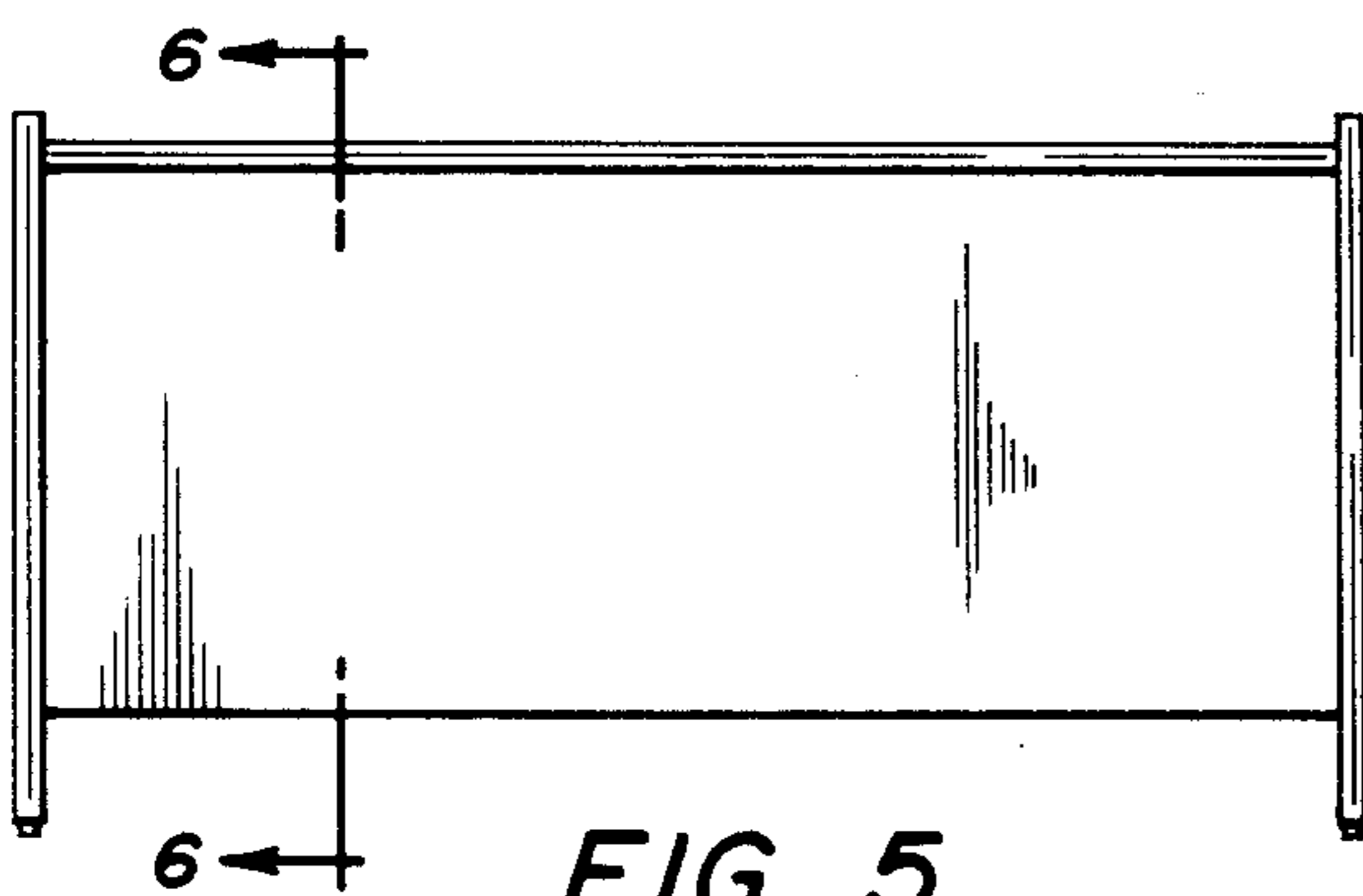


FIG. 5

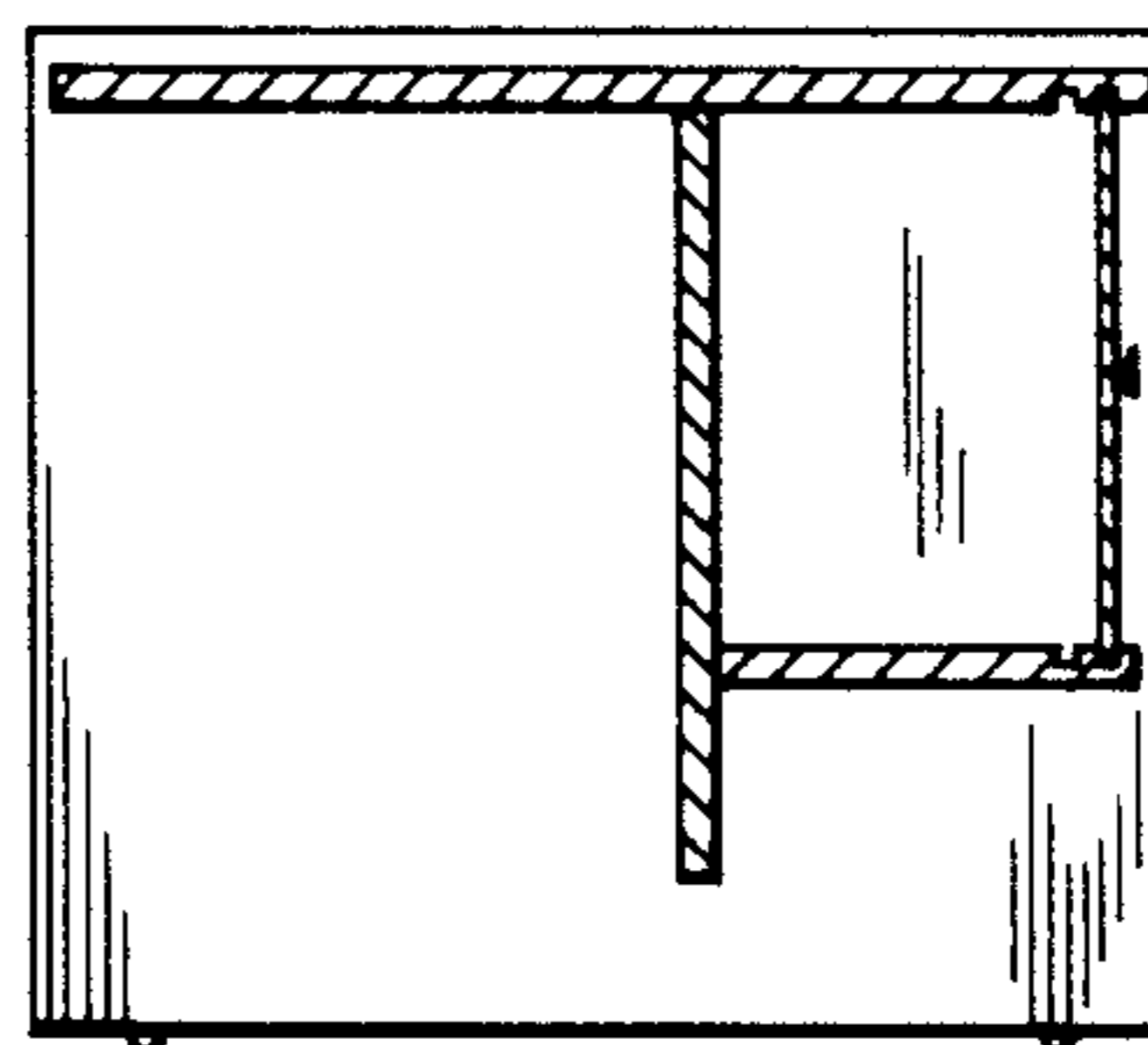


FIG. 6

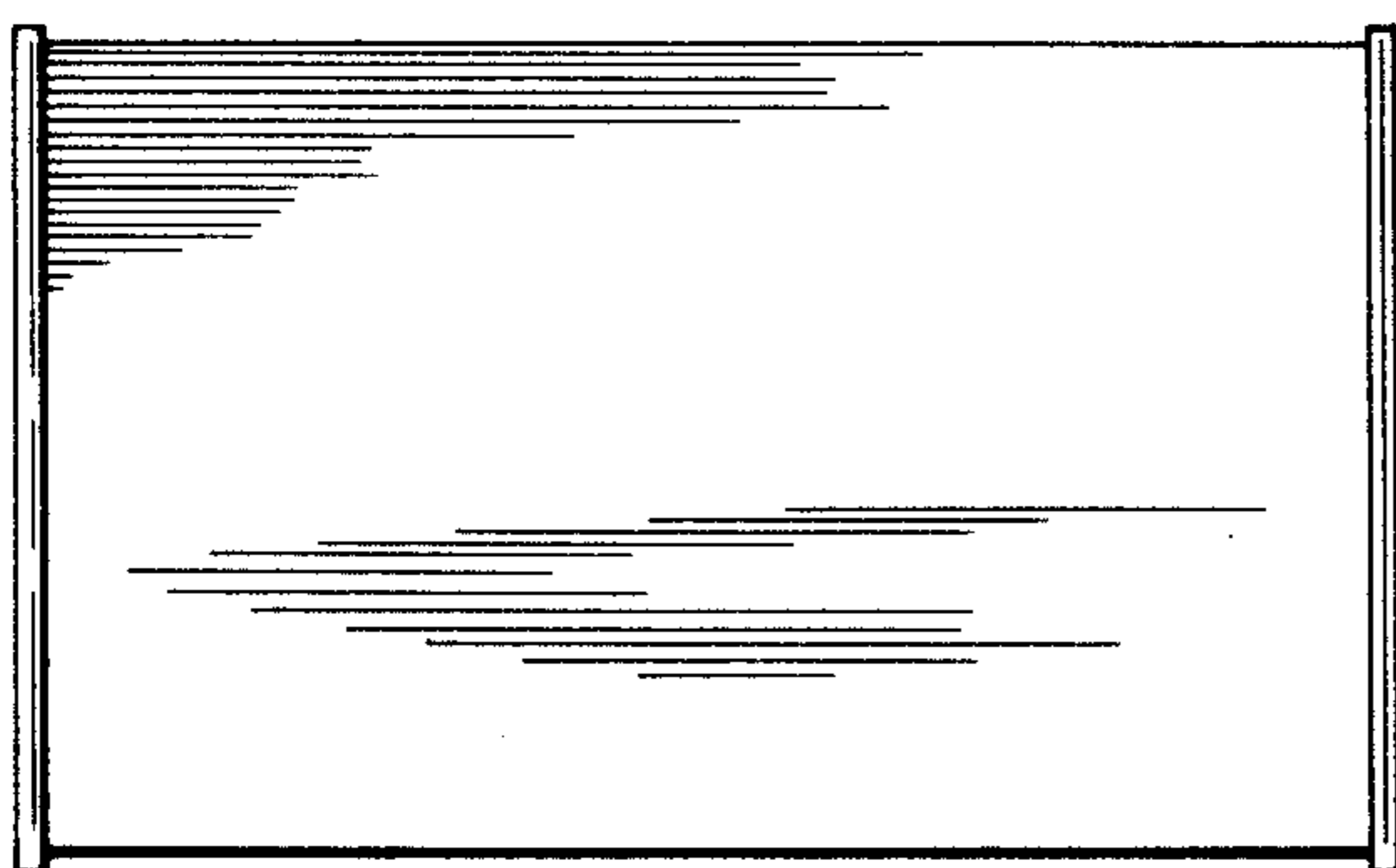


FIG. 7

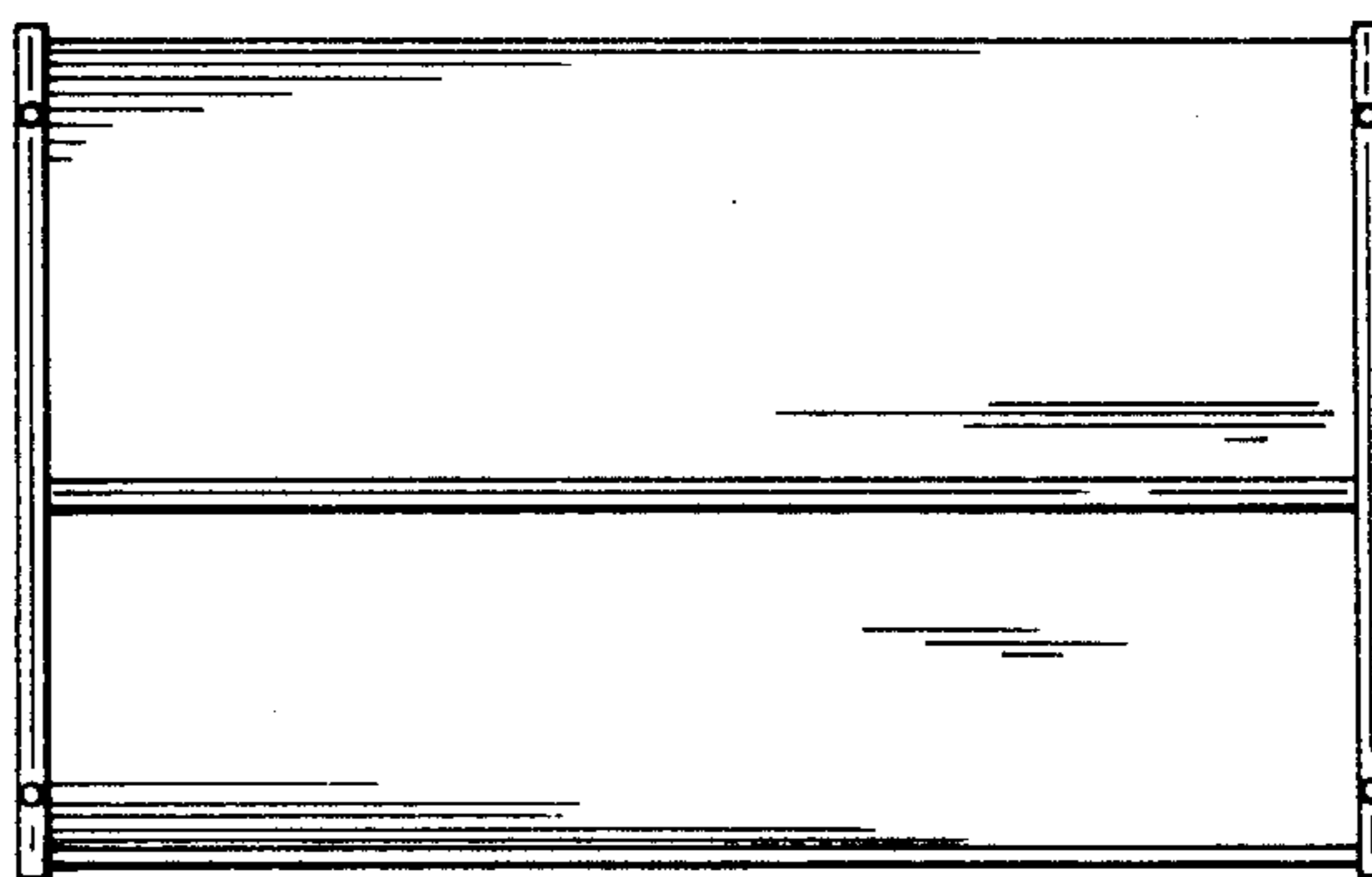


FIG. 8