

[54] RACK FOR HOLDING DISPOSABLE CUPS AND LIDS THEREFOR

[76] Inventors: Conrad D. Mastrud, Jr., 2921 Sheridan Rd., Evanston, Ill. 60202; Jon D. Poulos, 1651 Mount Pleasant, Northfield, Ill. 60093

[**] Term: 14 Years

[21] Appl. No.: 91,479

[22] Filed: Nov. 5, 1979

[51] Int. Cl. D6-04; D7-06

[52] U.S. Cl. D6/157; D6/188; D7/71

[58] Field of Search D6/85, 115, 157, 181, D6/186, 188, 189, 190; 211/13, 49 R, 49 S, 74, 181; D7/71; 221/97, 92

[56] References Cited

U.S. PATENT DOCUMENTS

D. 165,799	1/1952	Stedman	211/49 R
D. 233,120	10/1974	Dawson	D7/71
888,539	5/1908	Simpson	211/49 D
2,956,686	10/1960	Garey	211/74
3,788,487	1/1974	Dawson	211/49 D

Primary Examiner—B. J. Bullock

[57] CLAIM

The ornamental design for a rack for holding disposable cups and lids therefor, substantially as shown.

DESCRIPTION

FIG. 1 is a perspective view of a rack for holding disposable cups and lids therefor showing our new design; FIG. 2 is an end elevational view taken from the right of FIG. 1, the side opposite being identical; FIG. 3 is a front elevational view, the rear being identical; FIG. 4 is a top plan view.

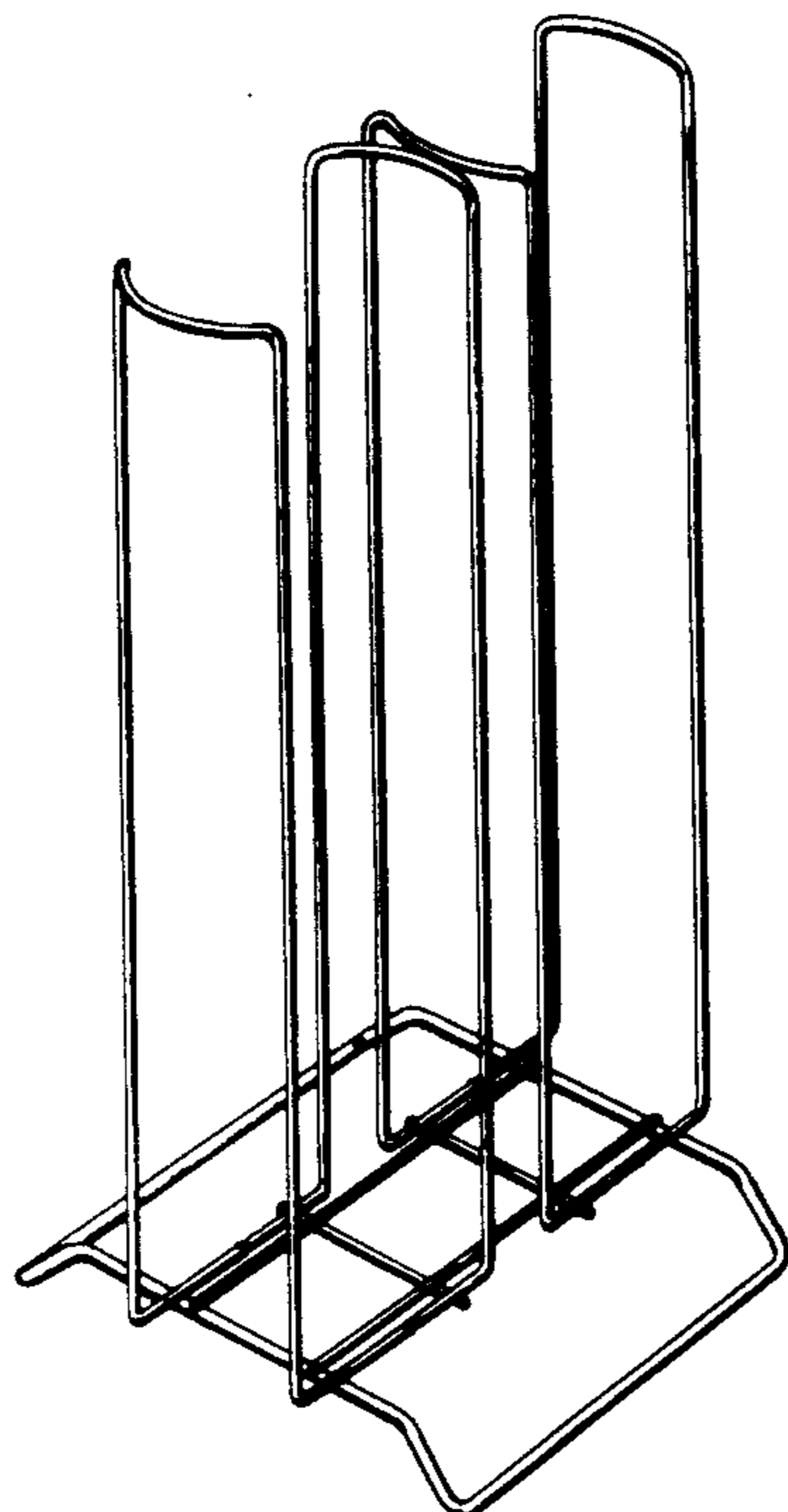


Fig. 1.

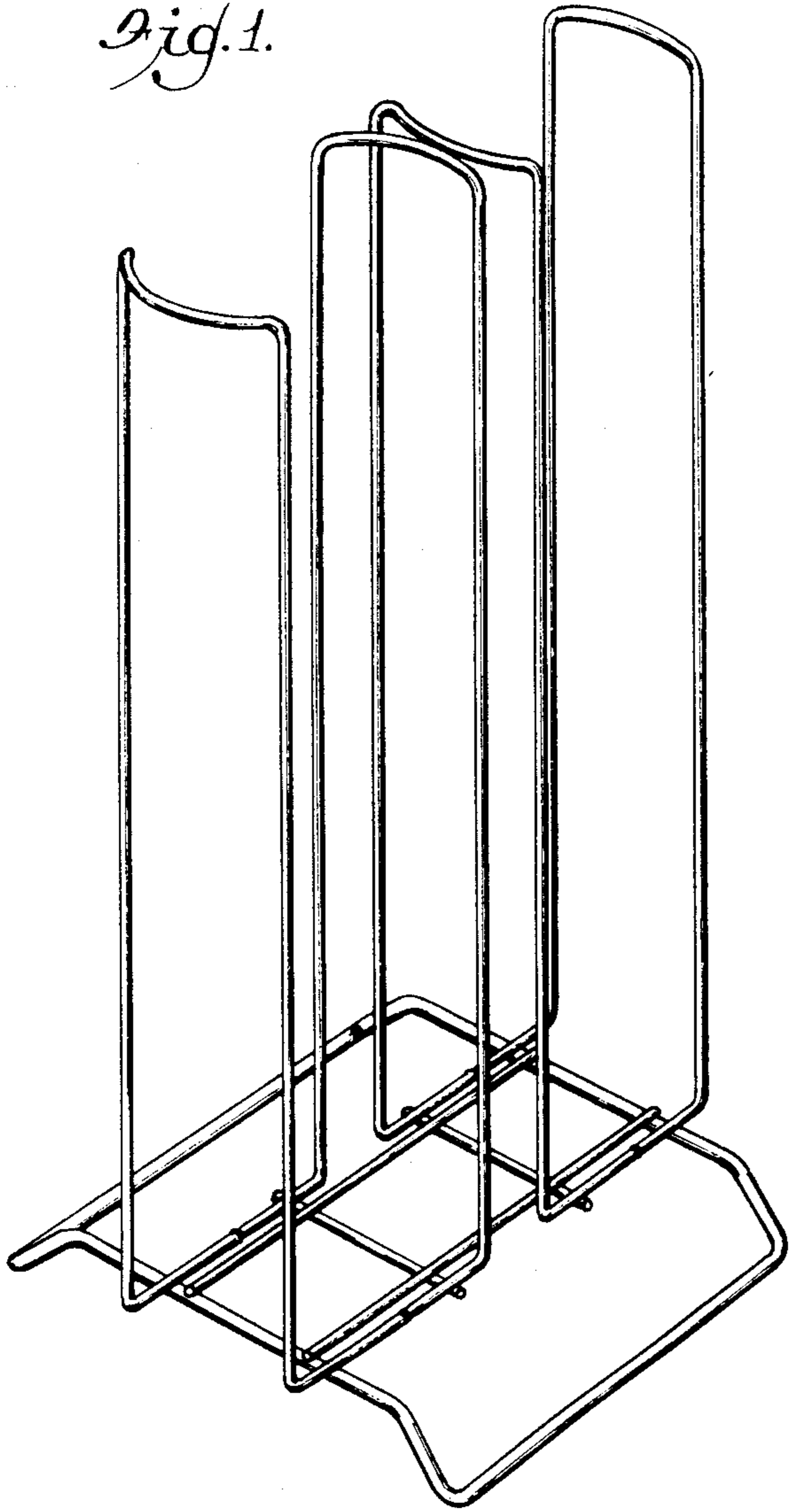


Fig. 2.

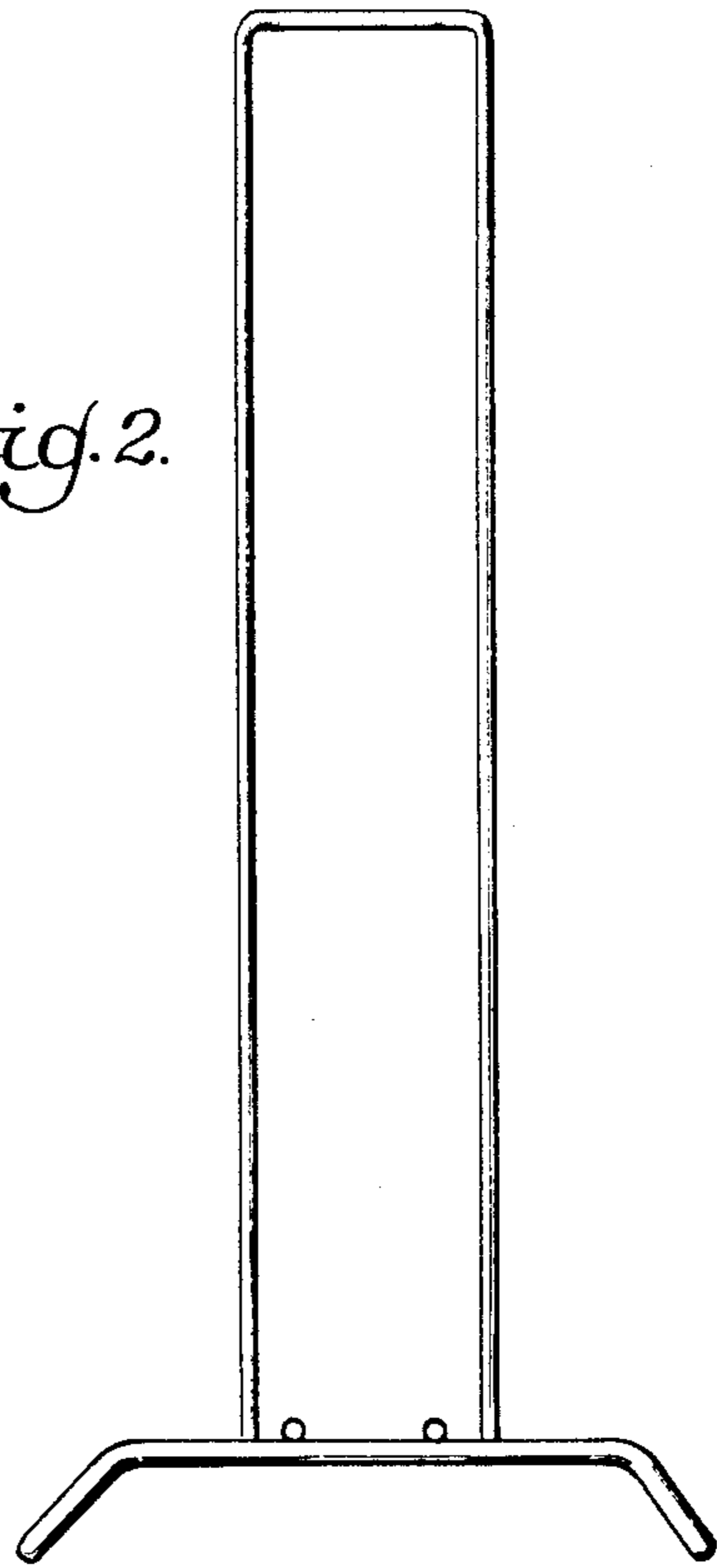


Fig. 4.

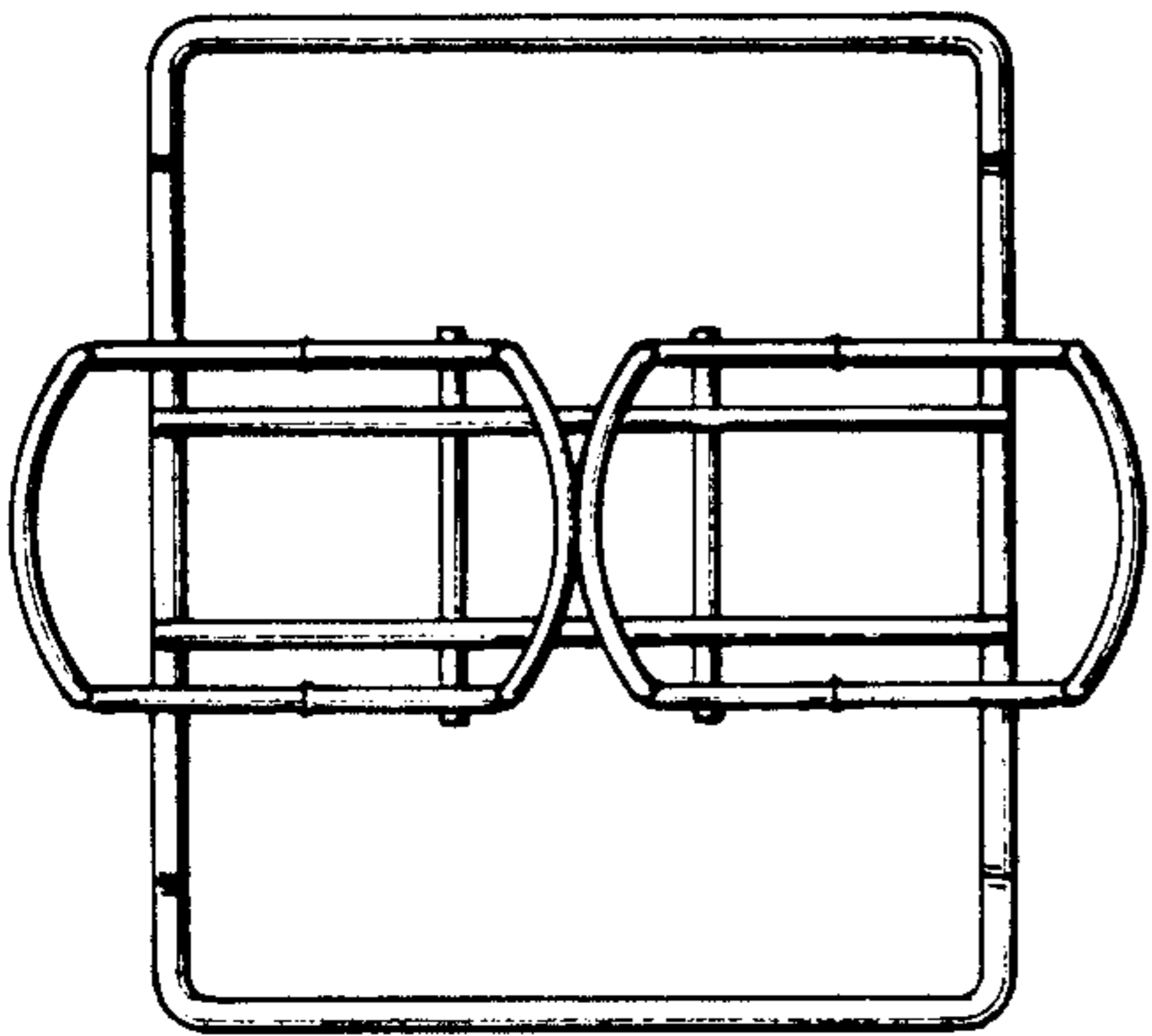


Fig. 3.

