

[54] **FLUME INTERLOCKING PLATFORM
PANEL FOR ANIMAL CONFINEMENT
PENS**

[76] Inventor: **Richard E. Bunger**, 5202 E.
Washington St., Phoenix, Ariz.
85034

[**] Term: **14 Years**

[21] Appl. No.: **65,867**

[22] Filed: **Aug. 13, 1979**

[51] Int. Cl. **D30—02**

[52] U.S. Cl. **D30/2**

[58] Field of Search **D30/1, 2; D25/74, 75,
D25/76, 80, 92, 97; 119/28**

[56] **References Cited**

U.S. PATENT DOCUMENTS

D. 26,443	12/1896	Fiske	D30/2
D. 253,249	10/1979	Limmergard et al.	D25/92
D. 253,250	10/1979	Limmergard et al.	D25/92
458,788	9/1891	Jungbluth	119/28
469,044	2/1892	Jungbluth	119/28

3,224,414	12/1965	Conover	119/28
3,228,376	1/1966	Conover	119/28
3,859,962	1/1975	Kissinger, Jr.	119/28
3,982,499	9/1976	Frankl	119/28
4,048,960	9/1977	Barnidge et al.	119/28

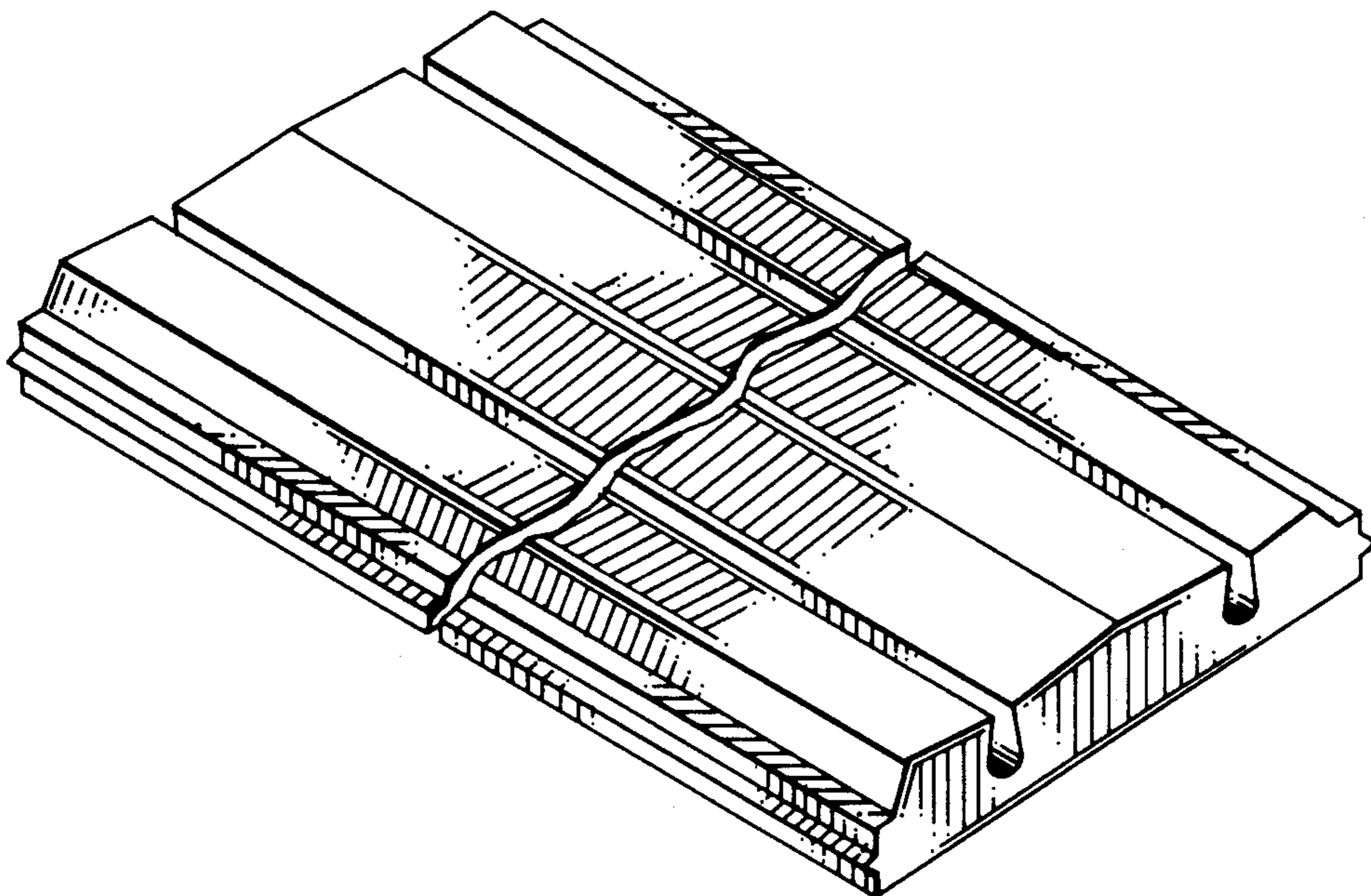
Primary Examiner—James R. Largen
Attorney, Agent, or Firm—Warren F. B. Lindsley

[57] **CLAIM**

The ornamental design for a flume interlocking platform panel for animal confinement pens, as shown and described.

DESCRIPTION

FIG. 1 is a perspective view taken from the top, left side and one end of a flume interlocking platform panel for animal confinement pens embodying my new design; FIG. 2 is a right side elevational view thereof; FIG. 3 is a top plan view thereof; FIG. 4 is a bottom plan view thereof; and FIG. 5 is an elevational view taken from the end opposite that shown in FIG. 1. The flume platform panel has been broken away in FIGS. 1 through 4 to indicate indeterminate length.



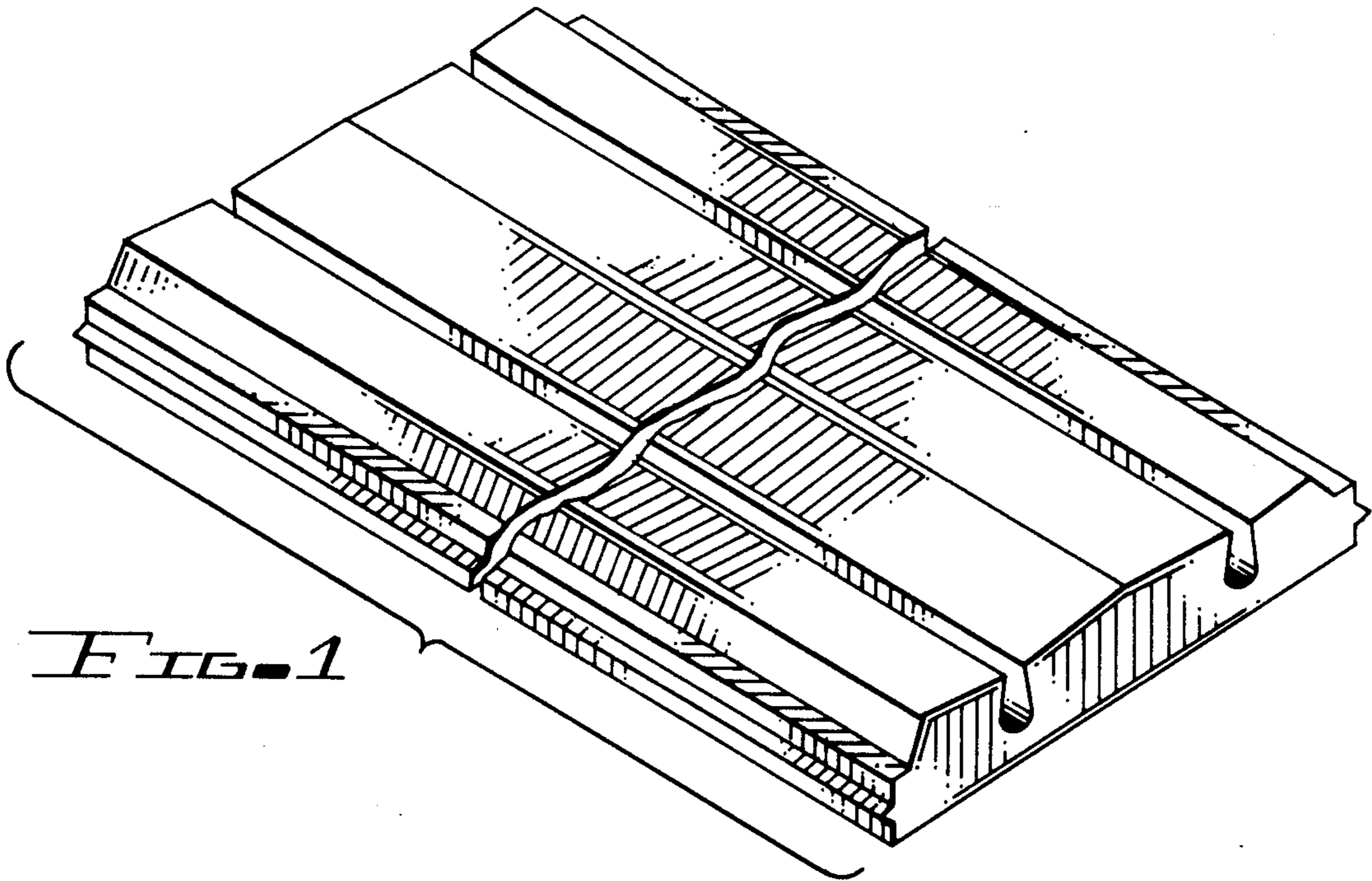


FIG. 1



FIG. 2

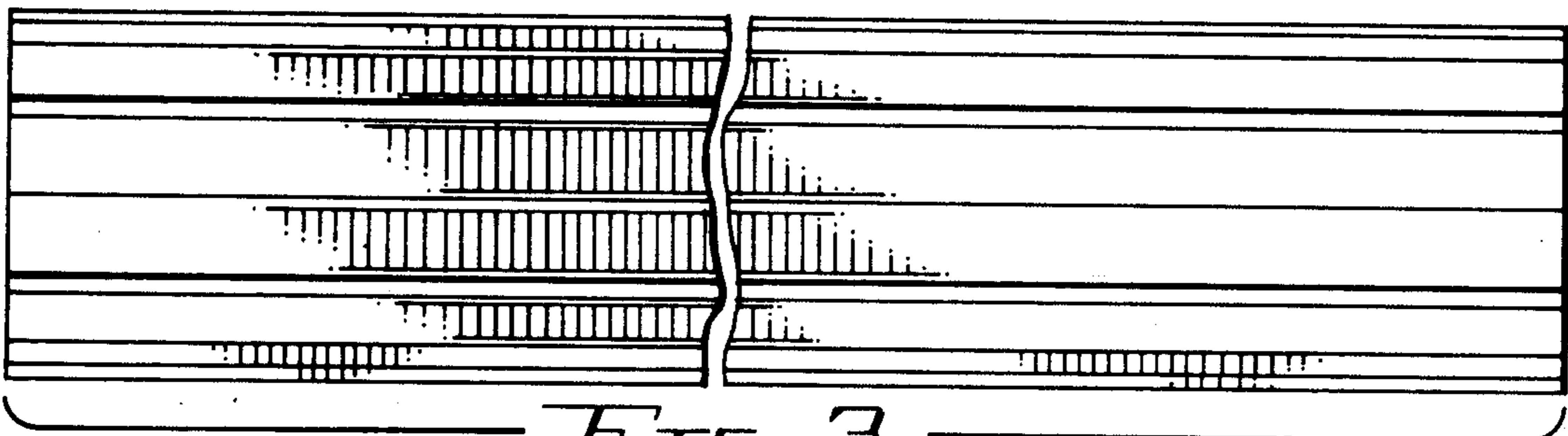


FIG. 3

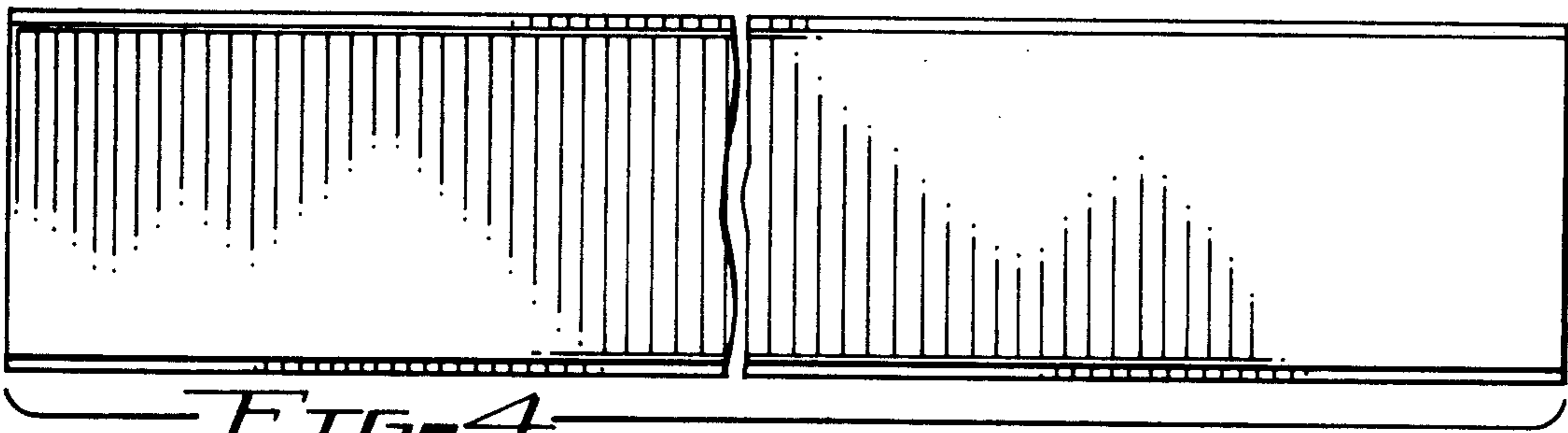


FIG. 4

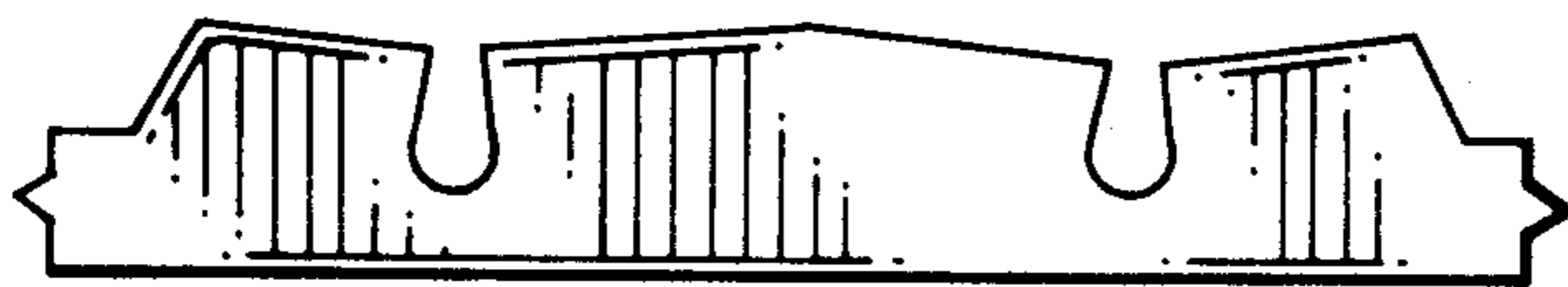


FIG. 5