

[54] FISHING REEL

[75] Inventor: Seiji Myojo, Sakai, Japan  
[73] Assignee: Shimano Kogyo Kabushiki Kaisha, Osaka, Japan

[\*\*] Term: 14 Years

[21] Appl. No.: 36,748

[22] Filed: May 7, 1979

[30] Foreign Application Priority Data  
Nov. 7, 1978 [JP] Japan ..... 53-47411

[51] Int. Cl. .... D22-05  
[52] U.S. Cl. .... D22/25  
[58] Field of Search ..... 242/84, 84.1 R, 84.1 S, 242/84.1 L, 84.2 R; D22/25; 43/18, 20

[56] References Cited  
U.S. PATENT DOCUMENTS

D. 154,308	6/1949	Pies .....	D22/25
D. 235,258	6/1975	Sugimoto .....	D22/25
D. 247,247	2/1978	Okada .....	D22/25
D. 255,702	7/1980	Iinuma .....	D22/25
2,154,122	4/1939	Brenneman .....	D22/25 X

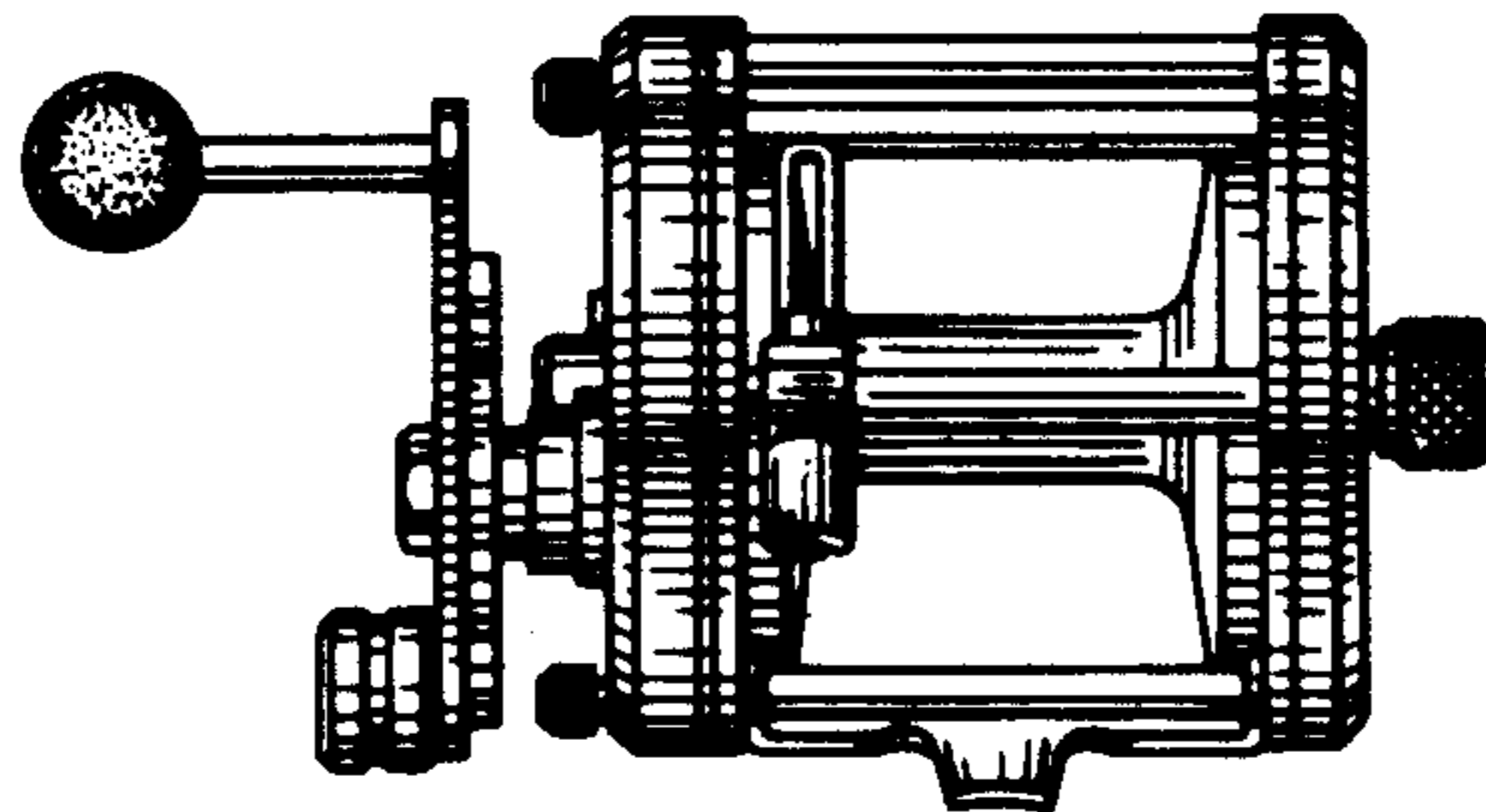
Primary Examiner—A. Hugo Word  
Attorney, Agent, or Firm—Robert E. Burns; Emmanuel J. Lobato; Bruce L. Adams

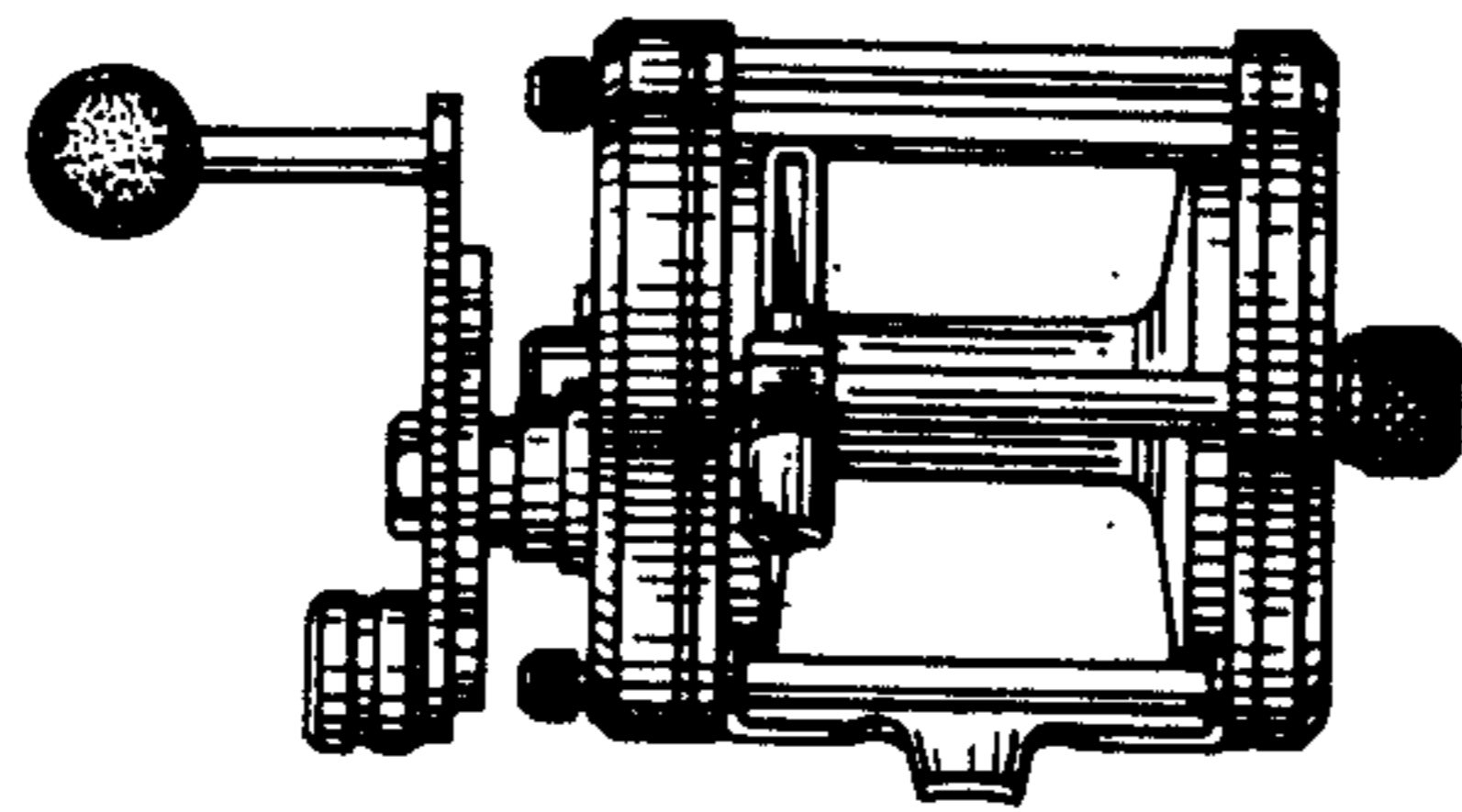
[57] CLAIM

The ornamental design for a fishing reel, substantially as shown and described.

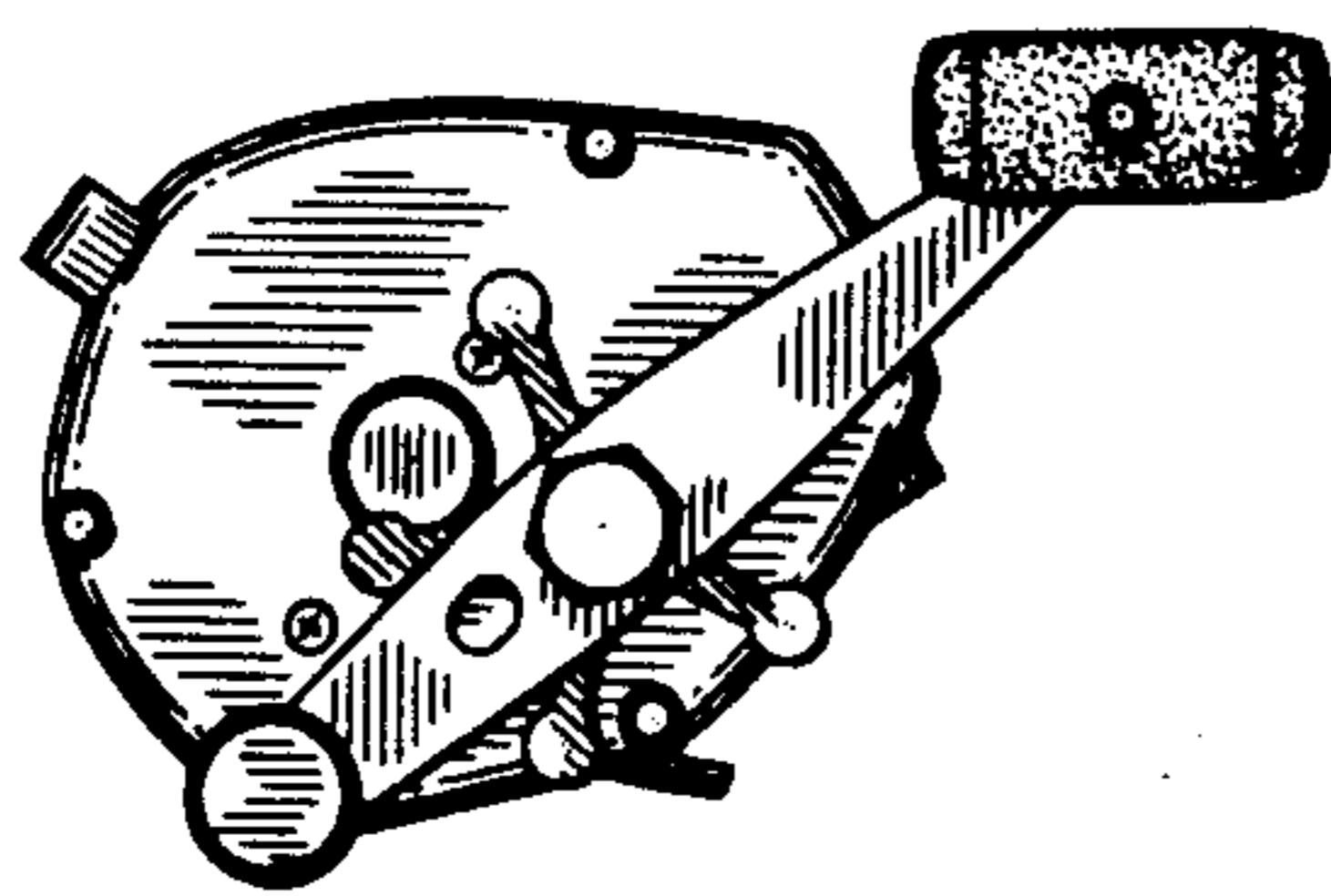
DESCRIPTION

FIG. 1 is a front elevational view of a fishing reel showing my new design,  
FIG. 2 is a left side view thereof,  
FIG. 3 is a right side view thereof,  
FIG. 4 is a top plan view thereof,  
FIG. 5 is a bottom plan view thereof,  
FIG. 6 is a rear elevational view thereof.

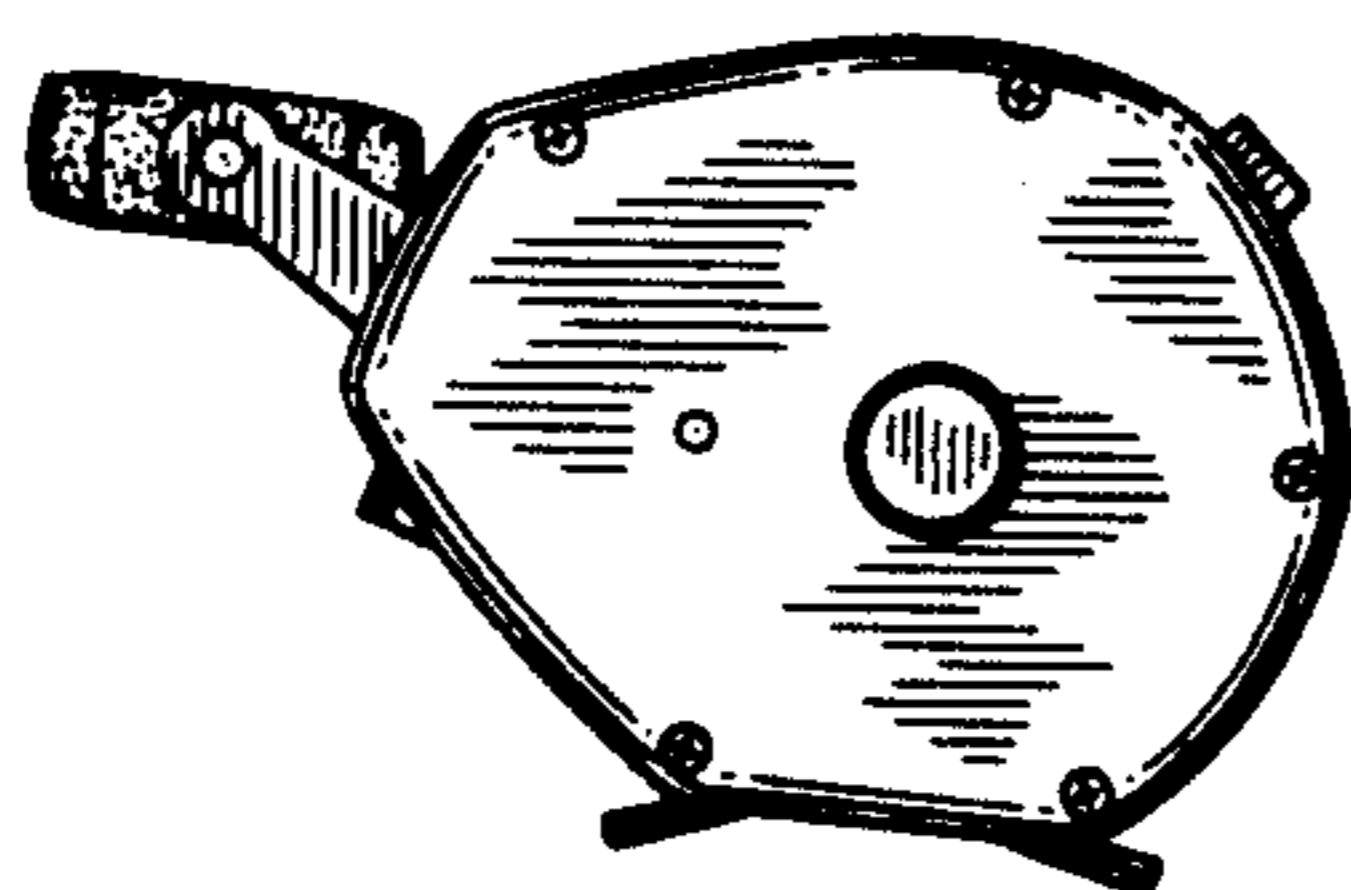




*FIG. 1*



*FIG. 2*



*FIG. 3*

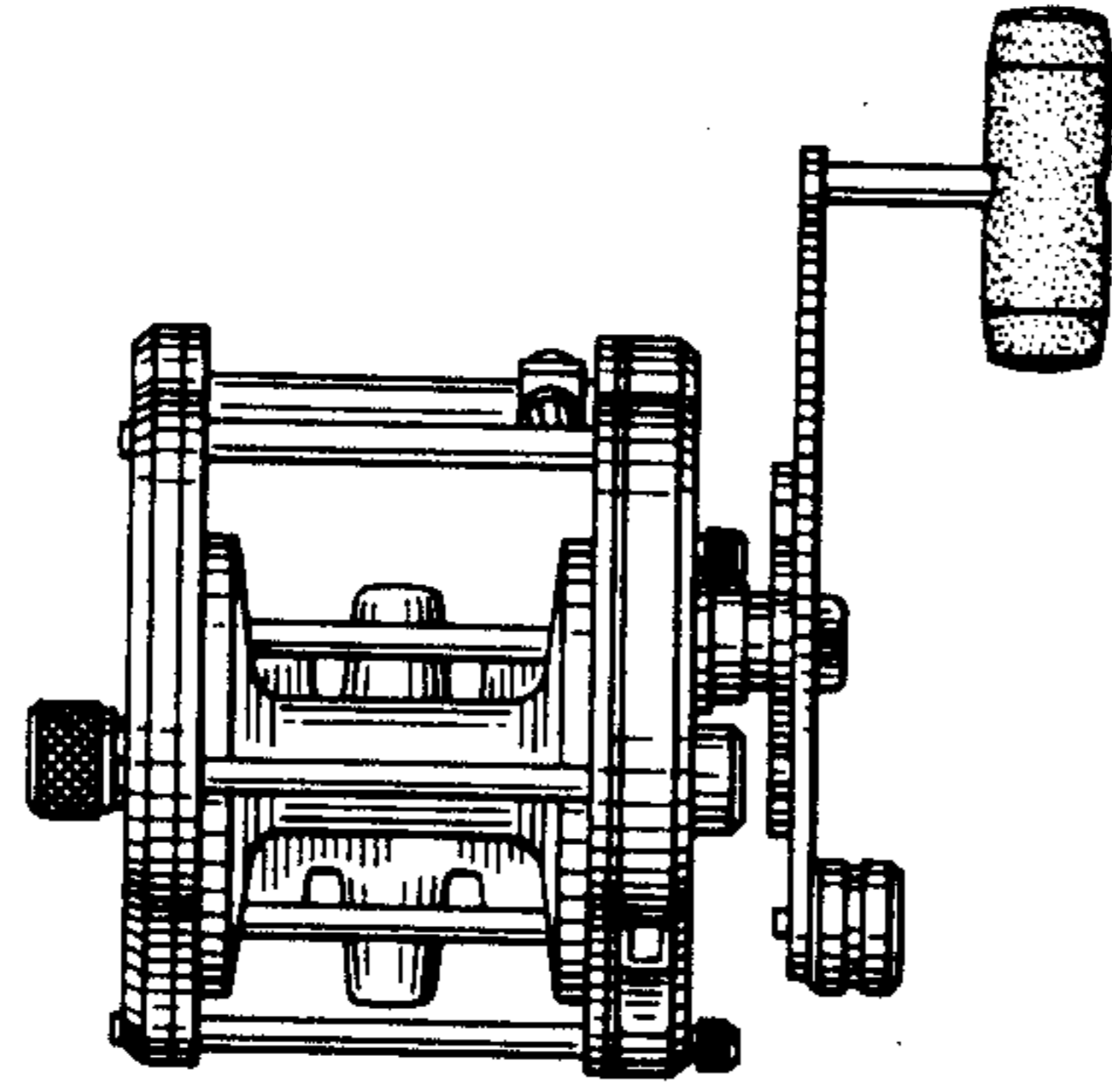


FIG. 4

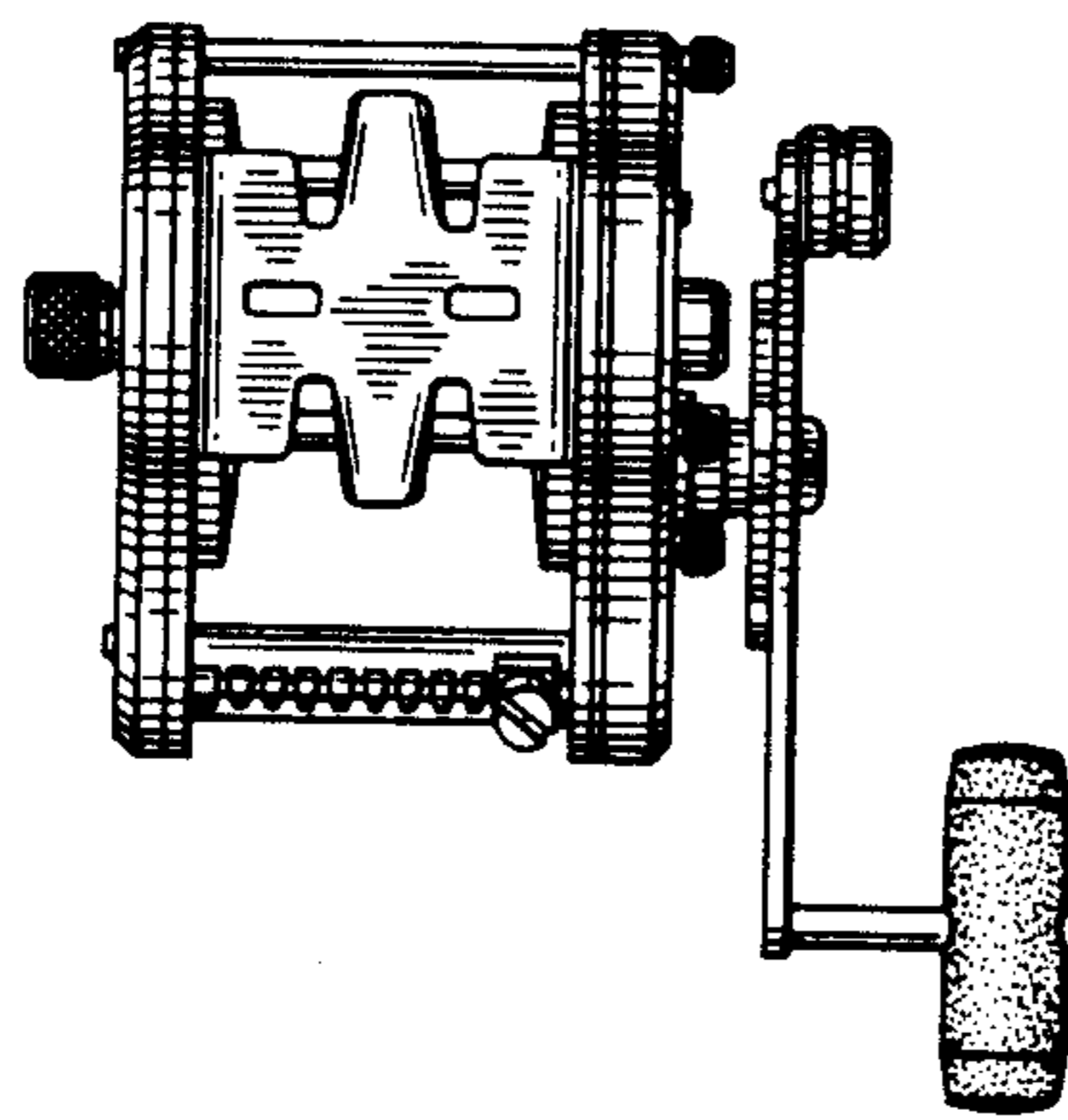


FIG. 5

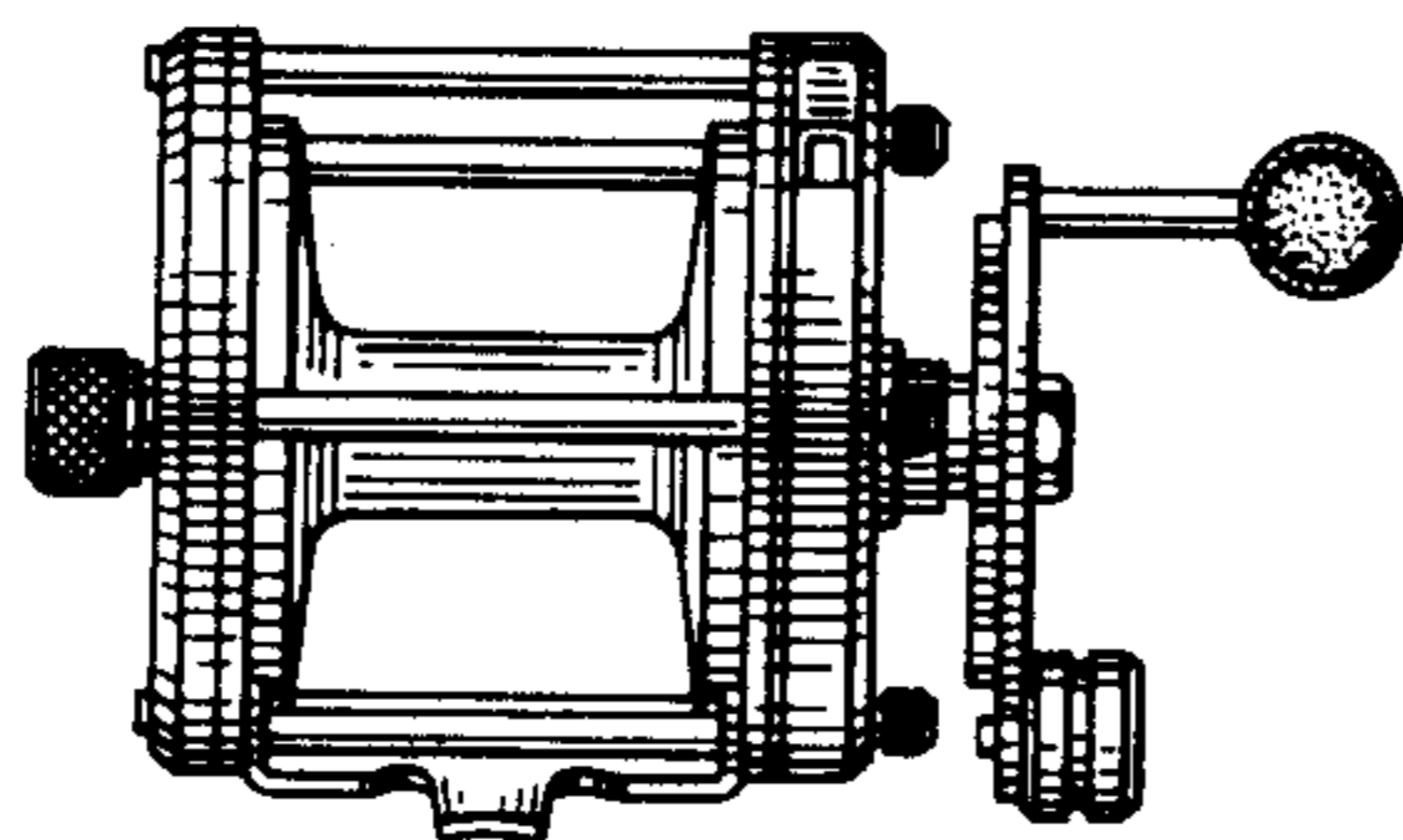


FIG. 6