

[54] DOOR MOUNTING CARRIER FOR A TRACK SUPPORTED TRANSACTION SECURITY ENCLOSURE DOOR

| | | | |
|-----------|---------|--------------|---------|
| 2,959,807 | 11/1960 | Johnson, Jr. | 16/87 R |
| 3,057,005 | 10/1962 | Dishaw | D8/377 |
| 3,287,759 | 11/1966 | Foltz | 16/87 R |
| 3,829,930 | 8/1974 | McNinch | 16/105 |
| 4,120,072 | 10/1978 | Hörmann | 16/87 R |

[75] Inventor: James G. Stine, Allentown, Pa.

[73] Assignee: Automatic Devices Company, Allentown, Pa.

[**] Term: 14 Years

[21] Appl. No.: 76,730

[22] Filed: Sep. 18, 1979

[51] Int. Cl. D8-08

[52] U.S. Cl. D8/377; D8/373

[58] Field of Search D8/363, 354, 377, 380, D8/373, 374; 16/87 R, 90, 91, 99, 106, 105

[56] References Cited

U.S. PATENT DOCUMENTS

D. 251,702 5/1979 Martini D8/373

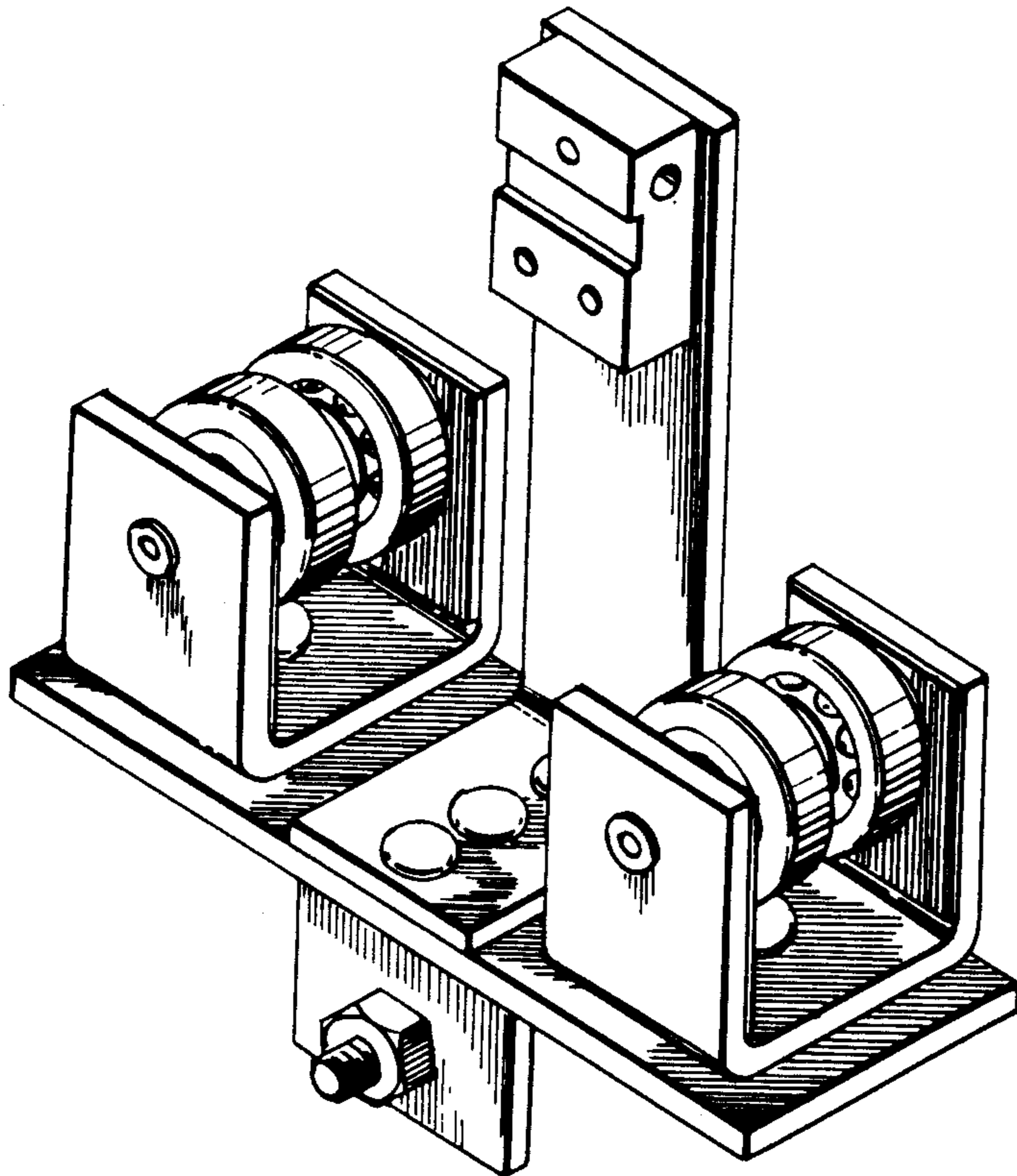
Primary Examiner—A. Hugo Word
Attorney, Agent, or Firm—Mason, Fenwick & Lawrence

[57] CLAIM

The ornamental design for a door mounting carrier for a track supported transaction security enclosure door, as shown and described.

DESCRIPTION

FIG. 1 is a perspective view of a door mounting carrier for a track supported transaction security enclosure door, embodying my new design, viewed from above and to the rear of the carrier;
FIG. 2 is a bottom front perspective view of the same; and
FIG. 3 is an end elevation view of the same, the opposite end elevation being the mirror image thereof.



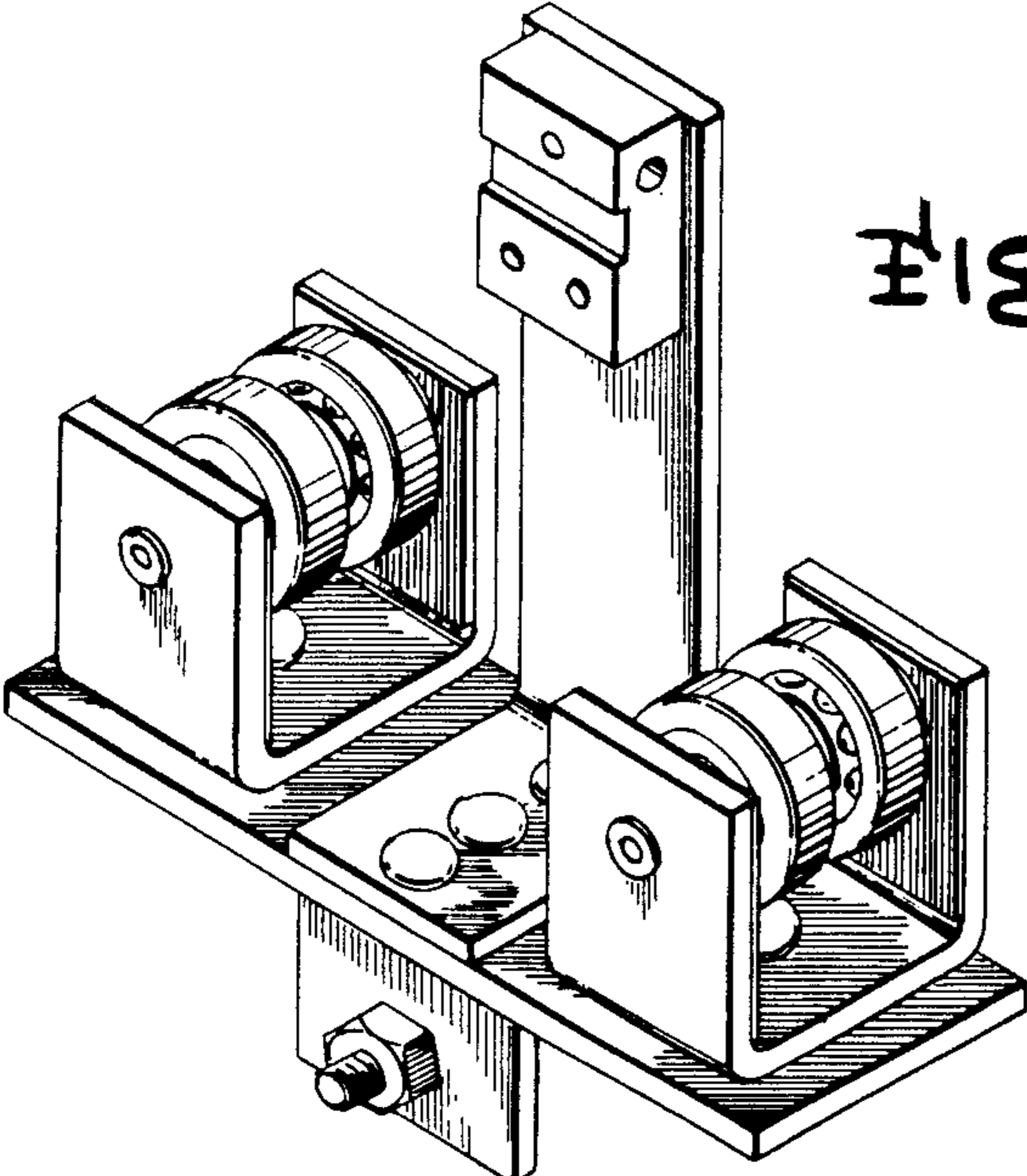


Fig-1

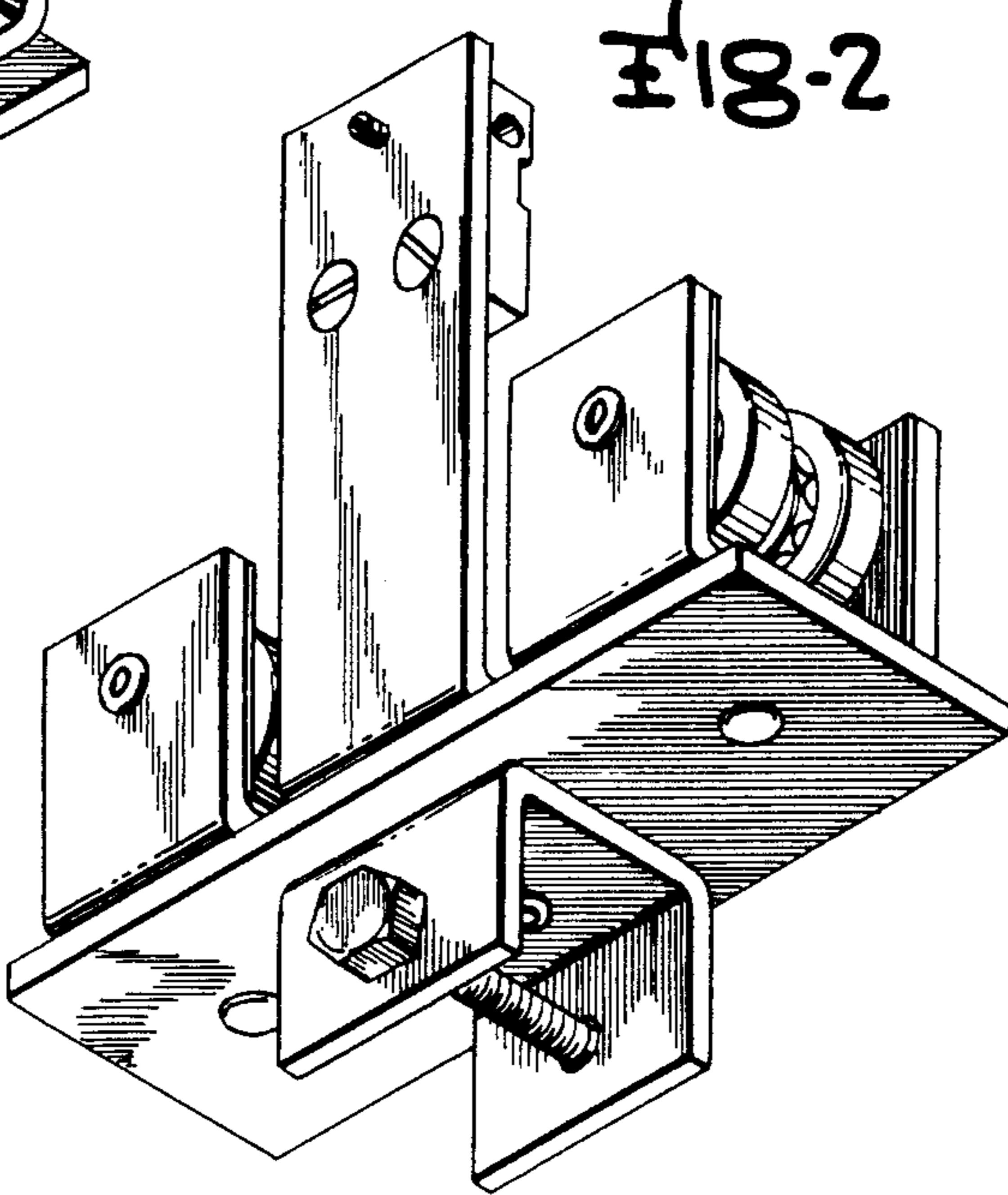


Fig-2

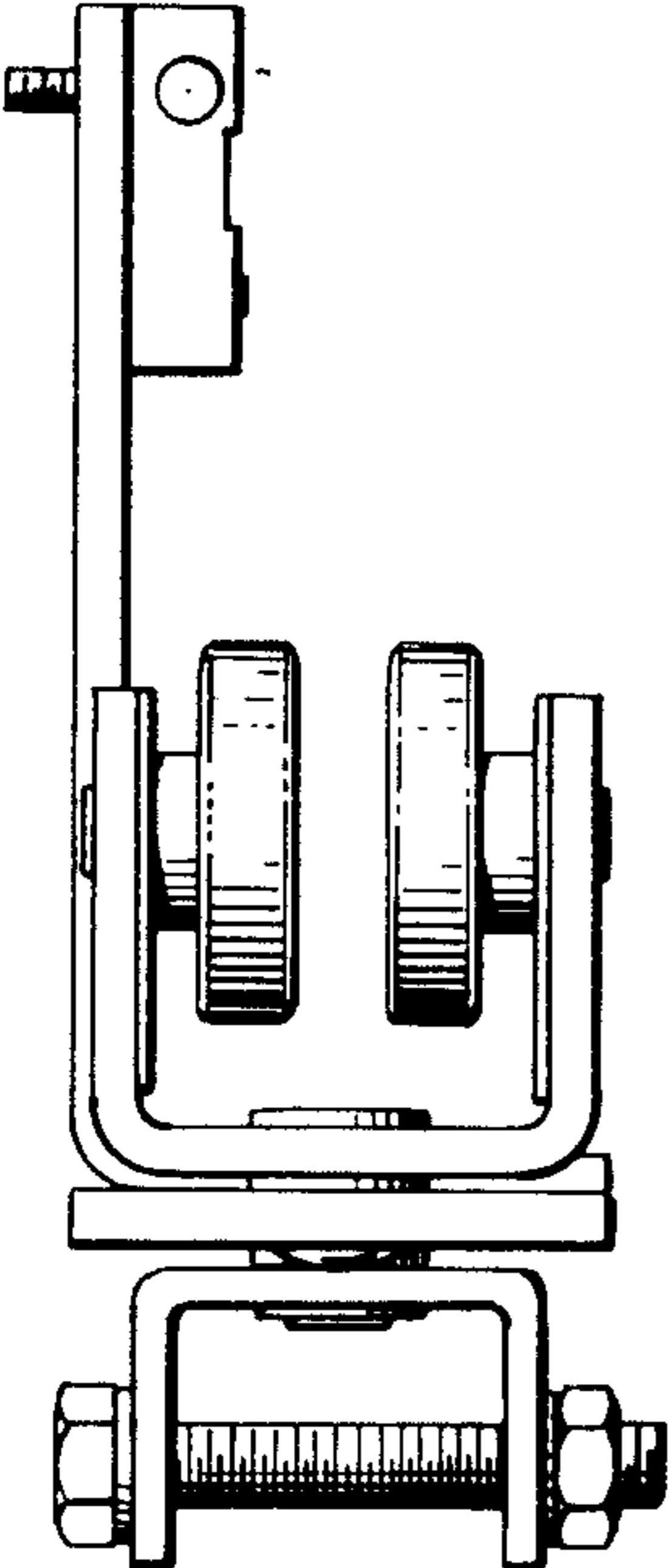


Fig-3