

[54] BOAT ANCHOR DAVIT

[76] Inventor: Robert G. Barbour, 10597 Ayres Ave., Los Angeles, Calif. 90064

[\*\*] Term: 14 Years

[21] Appl. No.: 97,402

[22] Filed: Nov. 26, 1979

[51] Int. Cl. .... D8-08

[52] U.S. Cl. .... D8/356; D12/317

[58] Field of Search ..... 114/210, 230, 270, 294; D12/215, 70, 155; D8/354, 356, 382; 248/227

[56] References Cited

U.S. PATENT DOCUMENTS

3,082,730 3/1963 Good ..... 114/210

3,804,051	4/1974	Norton	114/210
3,834,670	9/1974	Pityo	114/210 X
3,865,065	2/1975	Dennis et al.	114/210
3,952,683	4/1976	Eudy et al.	114/210

Primary Examiner—A. Hugo Word

Attorney, Agent, or Firm—Poms, Smith, Lande & Rose

[57] CLAIM

The ornamental design for a boat anchor davit, as shown and described.

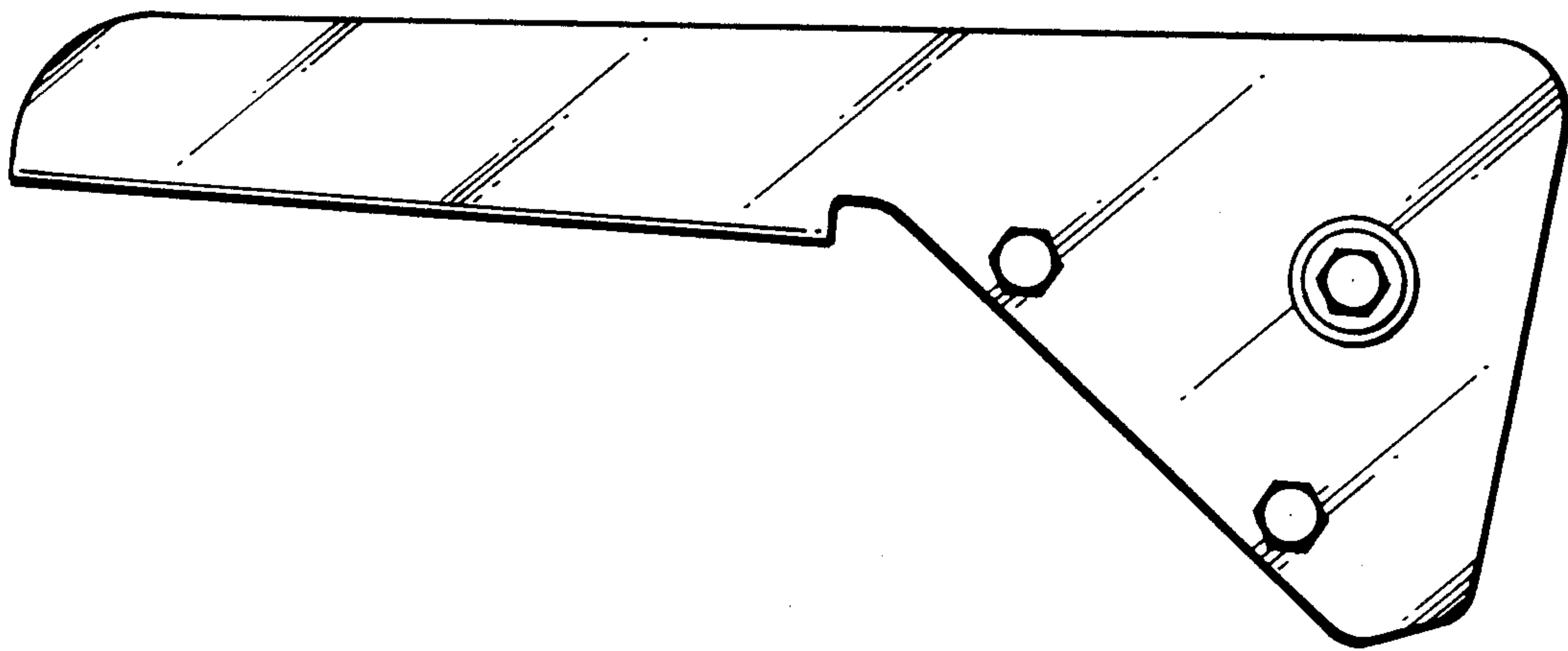
DESCRIPTION

FIG. 1 is a top plan view of the boat anchor davit design;

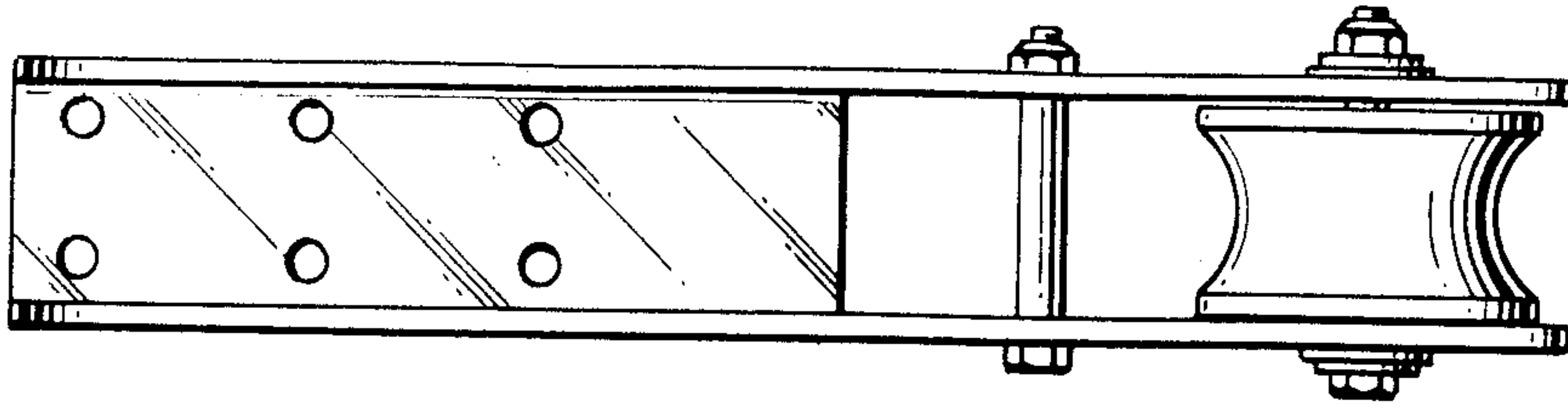
FIG. 2 is a side view of the design;

FIG. 3 is a bottom view; and

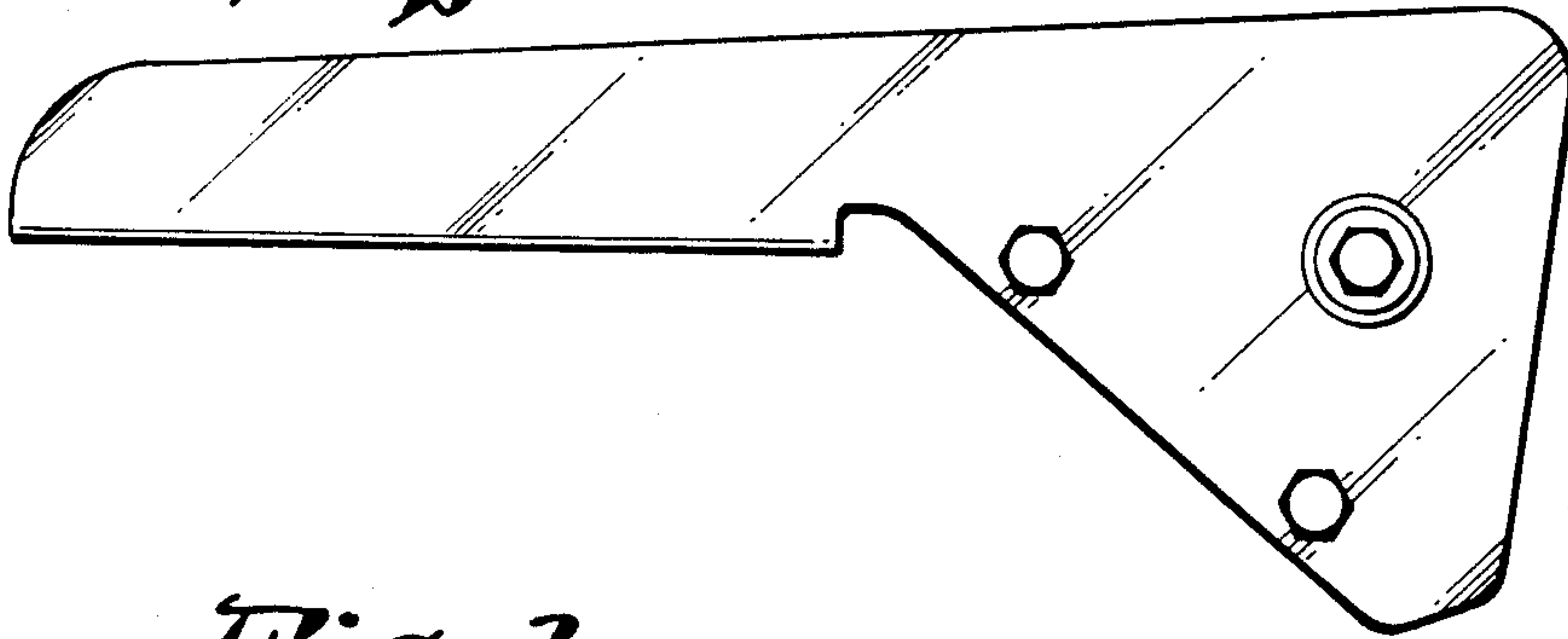
FIGS. 4 and 5 are left and right end views of the design.



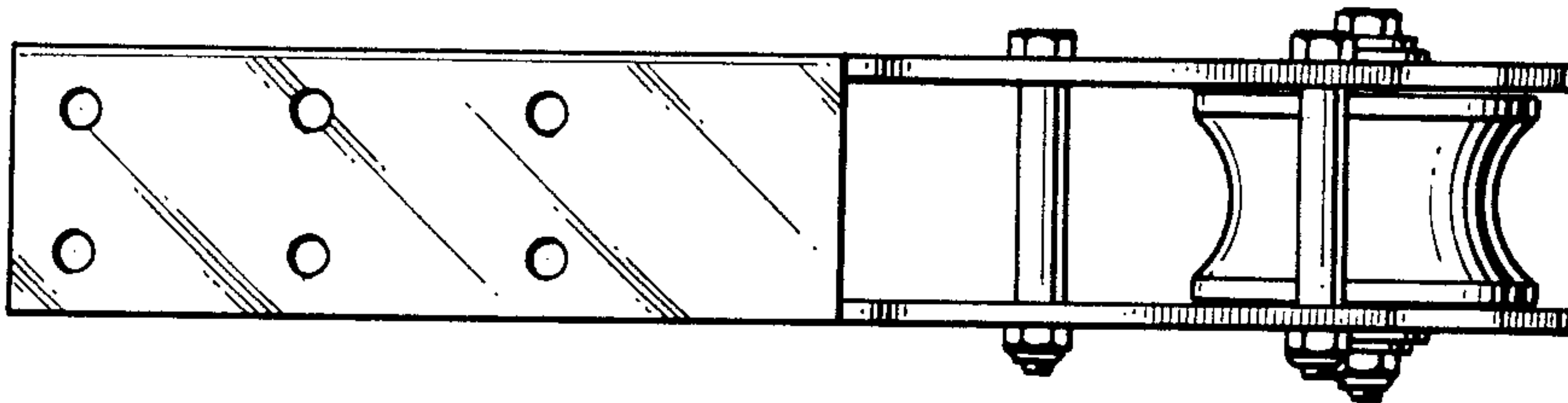
*Fig. 1.*



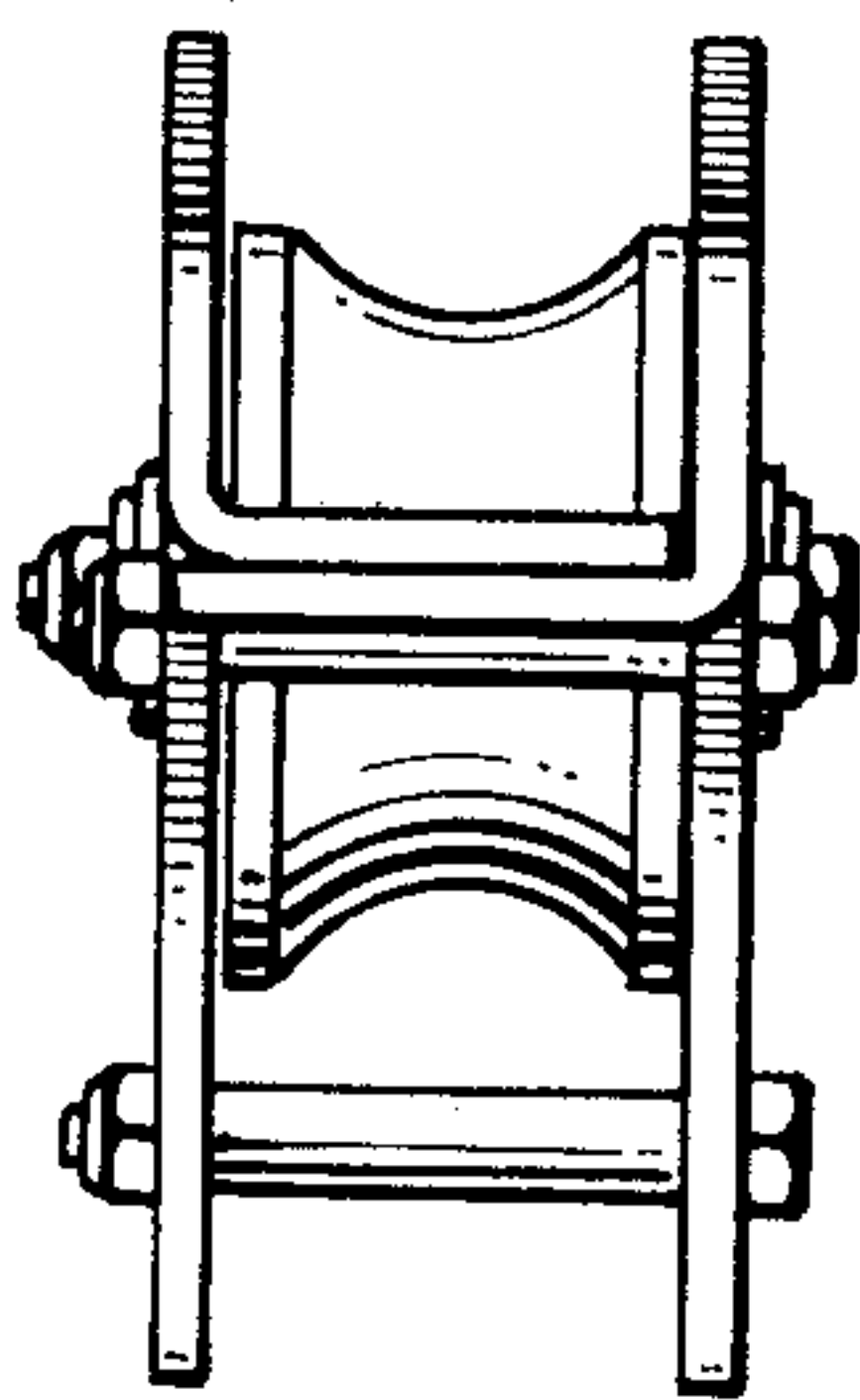
*Fig. 2.*



*Fig. 3.*



*Fig. 4.*



*Fig. 5.*

