

[54] **SCISSORS**

[75] Inventor: **Hidekazu Okada**, Ashiya, Japan  
[73] Assignee: **Clover Mfg. Co. Ltd.**, Osaka, Japan  
[\*] Notice: The portion of the term of this patent subsequent to Aug. 1, 1992, has been disclaimed.

[\*\*] Term: **14 Years**

[21] Appl. No.: **878,587**

[22] Filed: **Feb. 16, 1978**

[51] Int. Cl. .... **D08—03**

[52] U.S. Cl. .... **D8/57**

[58] Field of Search ..... **D8/57, 55; 30/341, 254**

[56] **References Cited**

**U.S. PATENT DOCUMENTS**

D. 243,651 3/1977 Hayashi ..... D8/57

D. 248,726 8/1978 Okada ..... D8/57  
616,704 12/1898 Gugel ..... 30/254

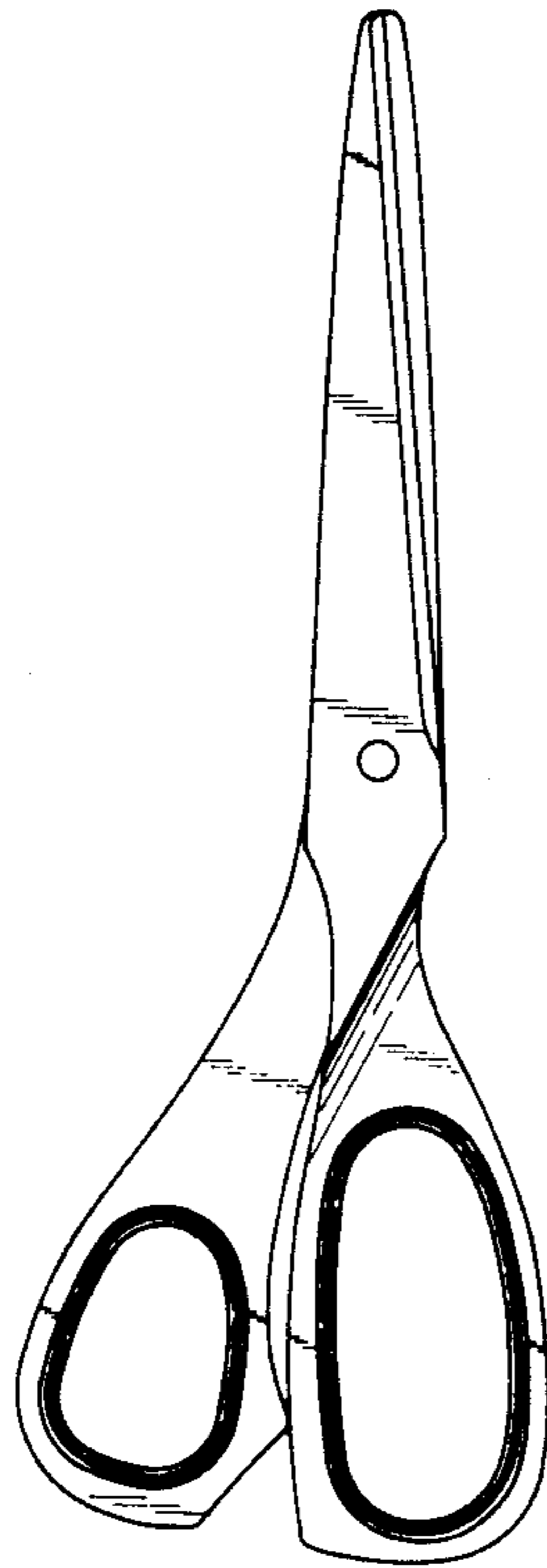
*Primary Examiner*—Joel Stearman  
*Assistant Examiner*—Carmen H. Vales  
*Attorney, Agent, or Firm*—Birch, Stewart, Kolasch & Birch

[57] **CLAIM**

The ornamental design for scissors, as shown and described.

**DESCRIPTION**

FIG. 1 is a top plan view of scissors showing my new design in open condition;  
FIG. 2 is a bottom plan view of the scissors in a closed position;  
FIG. 3 is a left side elevation view thereof;  
FIG. 4 is a right side elevation view thereof;  
FIG. 5 is a front end view thereof; and  
FIG. 6 is a rear end view thereof.



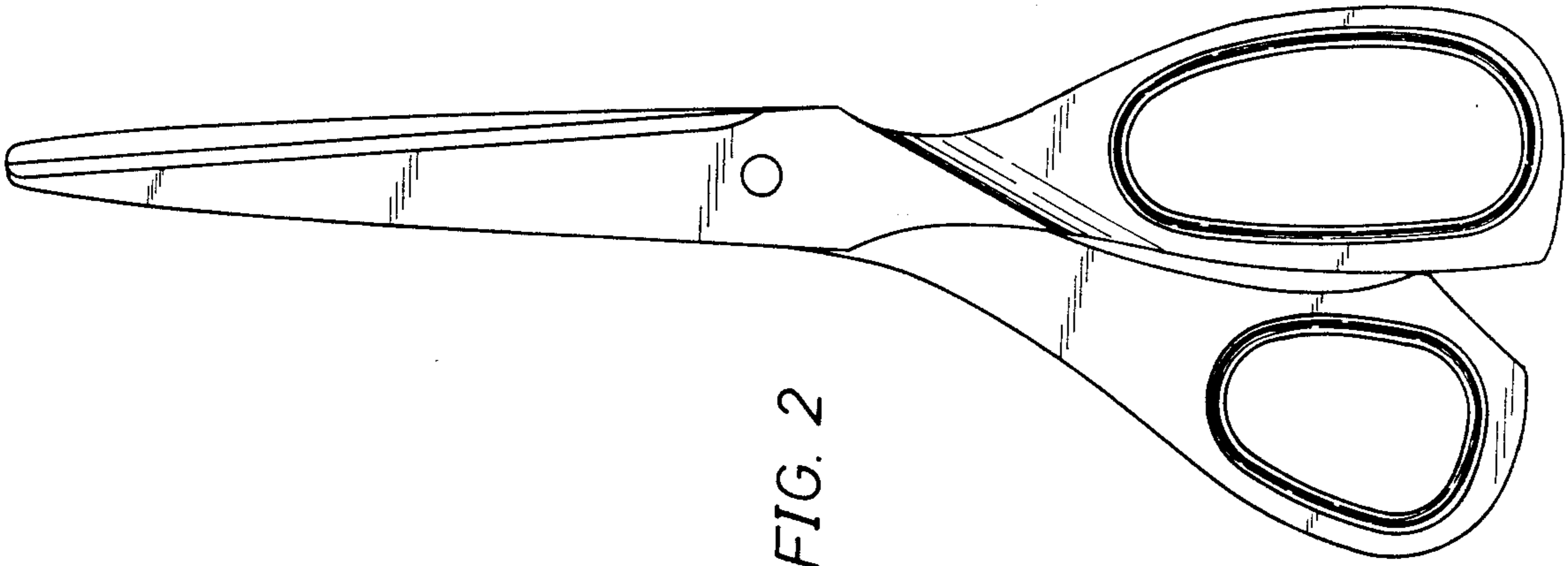


FIG. 2

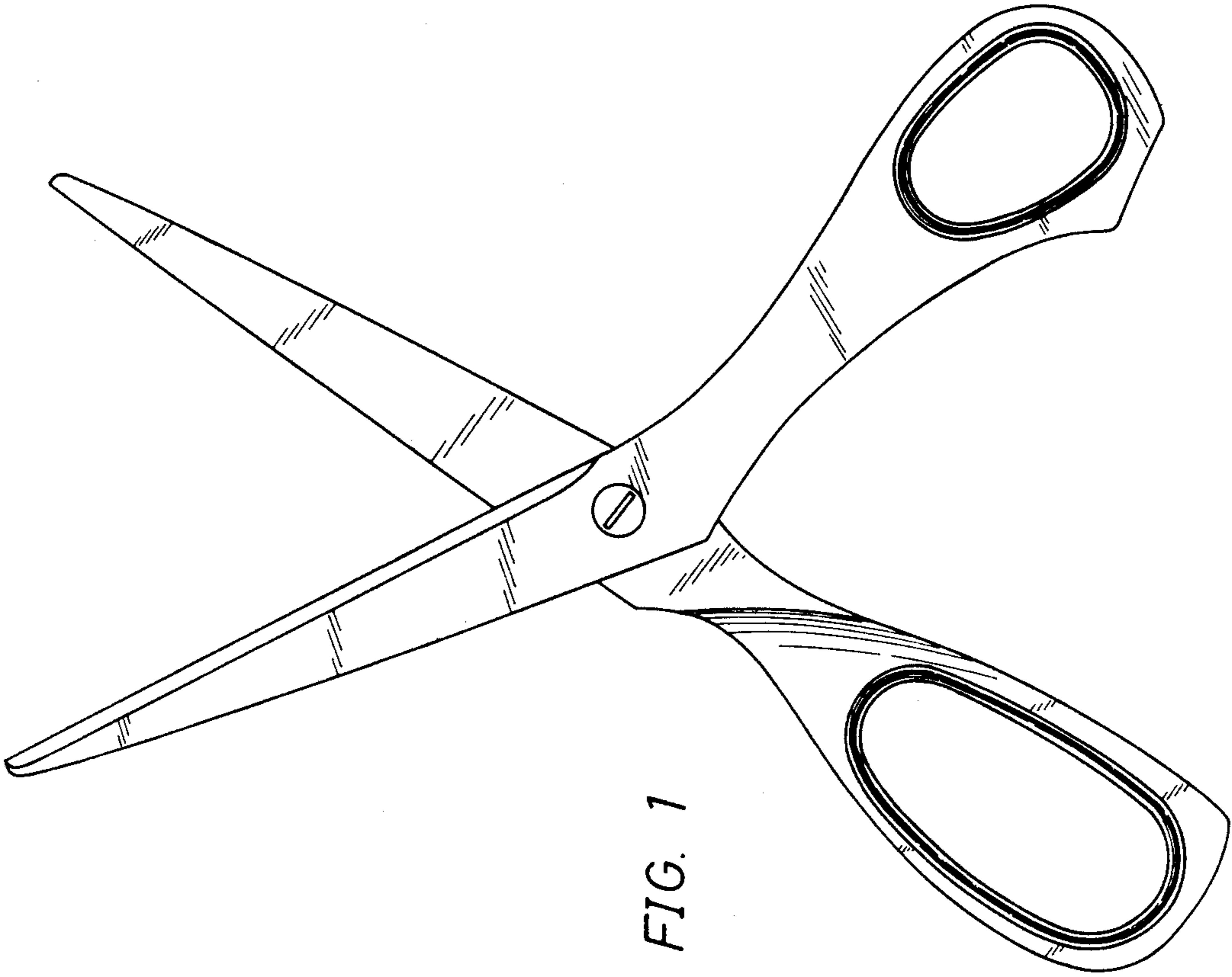


FIG. 1



FIG. 5

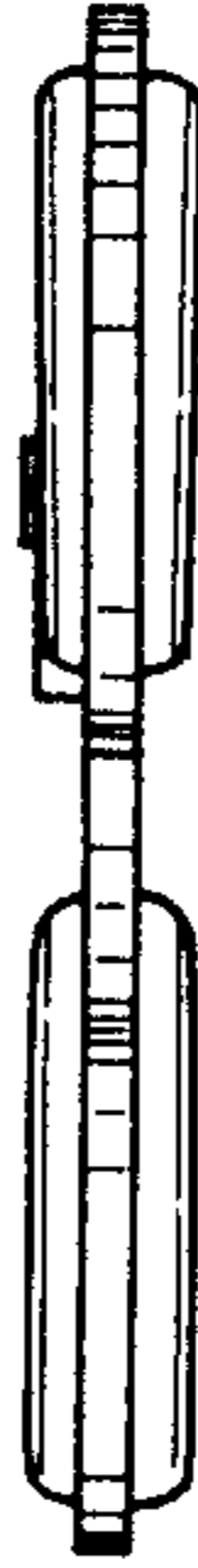


FIG. 6

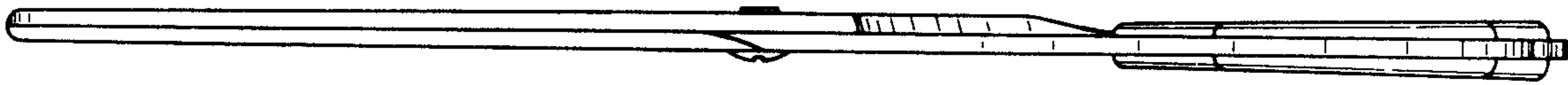


FIG. 4



FIG. 3