

[54] ROTATOR PRIMARILY FOR A BARBECUE SPIT INCLUDING AN ELECTRICAL ADAPTOR THEREFOR

D. 230,937	3/1974	Bartasevich	D7/129
D. 242,759	12/1976	Painter et al.	D7/129
2,797,633	7/1957	Goodwin	99/421
2,908,831	10/1959	Hirsch	99/421 R X

[75] Inventor: Philip W. L. Lau, Kowloon, Hong Kong

Primary Examiner—Catherine E. Kemper
Attorney, Agent, or Firm—Townsend and Townsend

[73] Assignee: Landmann Limited, Hong Kong

[57] CLAIM

[**] Term: 14 Years

The ornamental design for a rotator primarily for a barbecue spit including an electrical adaptor therefor, as shown and described.

[21] Appl. No.: 965,207

[22] Filed: Nov. 30, 1978

DESCRIPTION

[51] Int. Cl. D7-02

FIG. 1 is a front elevational view of a rotator primarily for a barbecue spit including an electrical adaptor therefor;

[52] U.S. Cl. D7/129

FIG. 2 is a top plan view thereof;

[58] Field of Search D7/107, 108, 109, 110, D7/129; D13/1, 2, 3; 126/25 R, 25 A, 25 AA, 25 B, 25 C, 9 R, 9 A, 9 B, 29, 30; 99/419, 421; 310/89, 66

FIG. 3 is a side elevational view thereof;

FIG. 4 is a rear elevational view thereof;

FIG. 5 is a bottom plan view thereof;

FIG. 6 is an elevational view of the side opposite that shown in FIG. 3;

FIG. 7 is a bottom plan view of the rotator and adaptor disconnected.

[56] References Cited

U.S. PATENT DOCUMENTS

D. 212,867 12/1968 Ishida D7/110

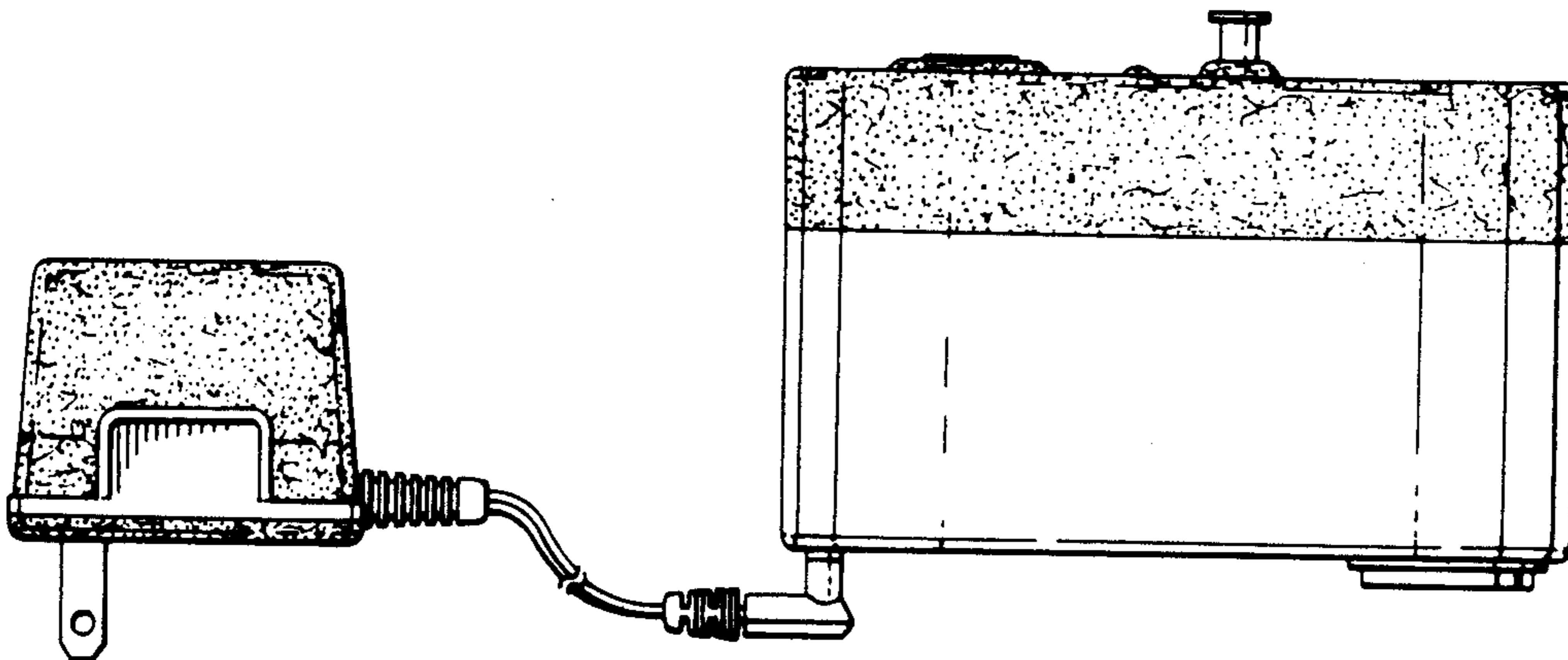


FIG. 1.

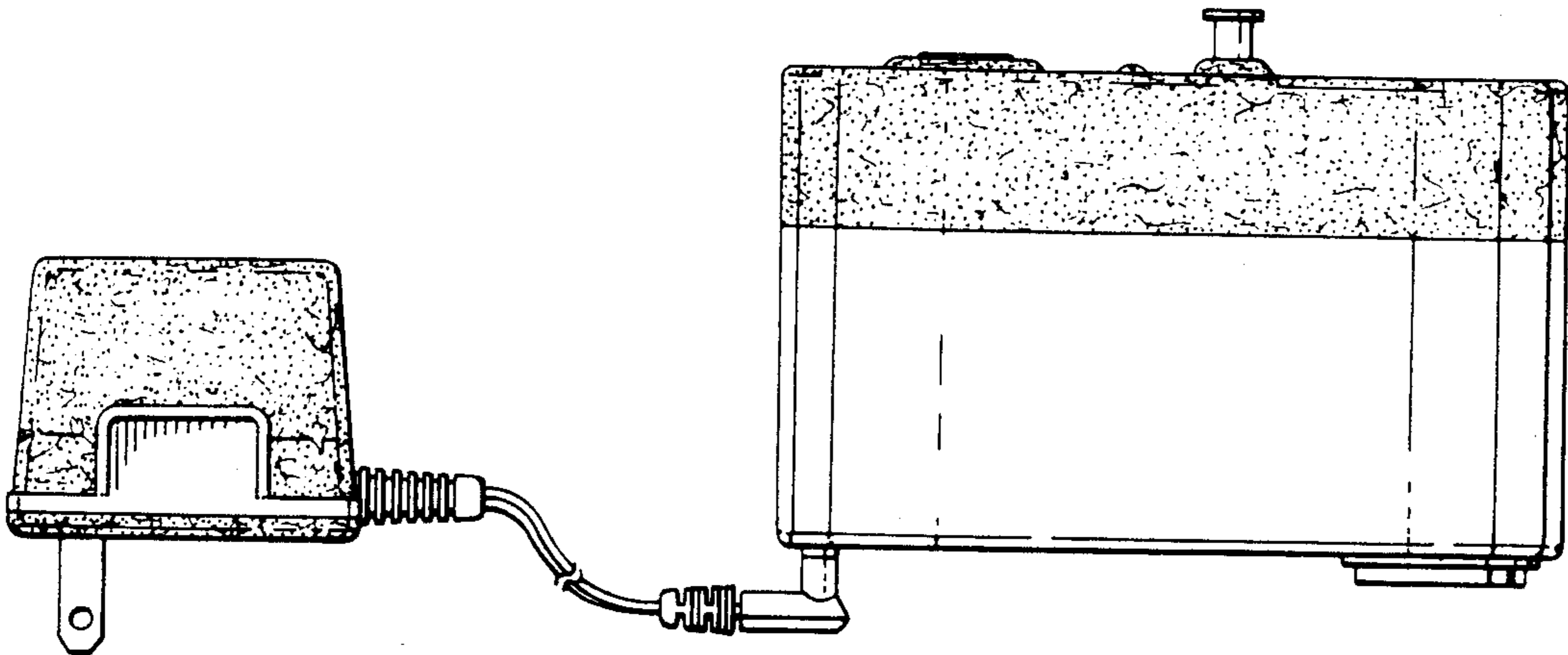


FIG. 2.

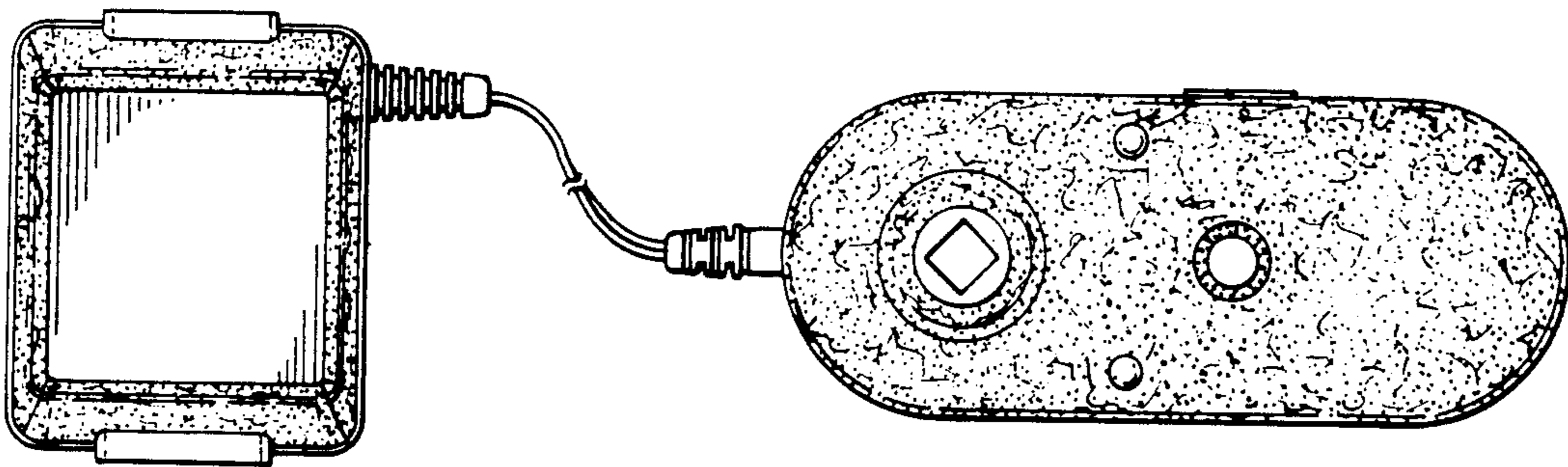


FIG. 3.

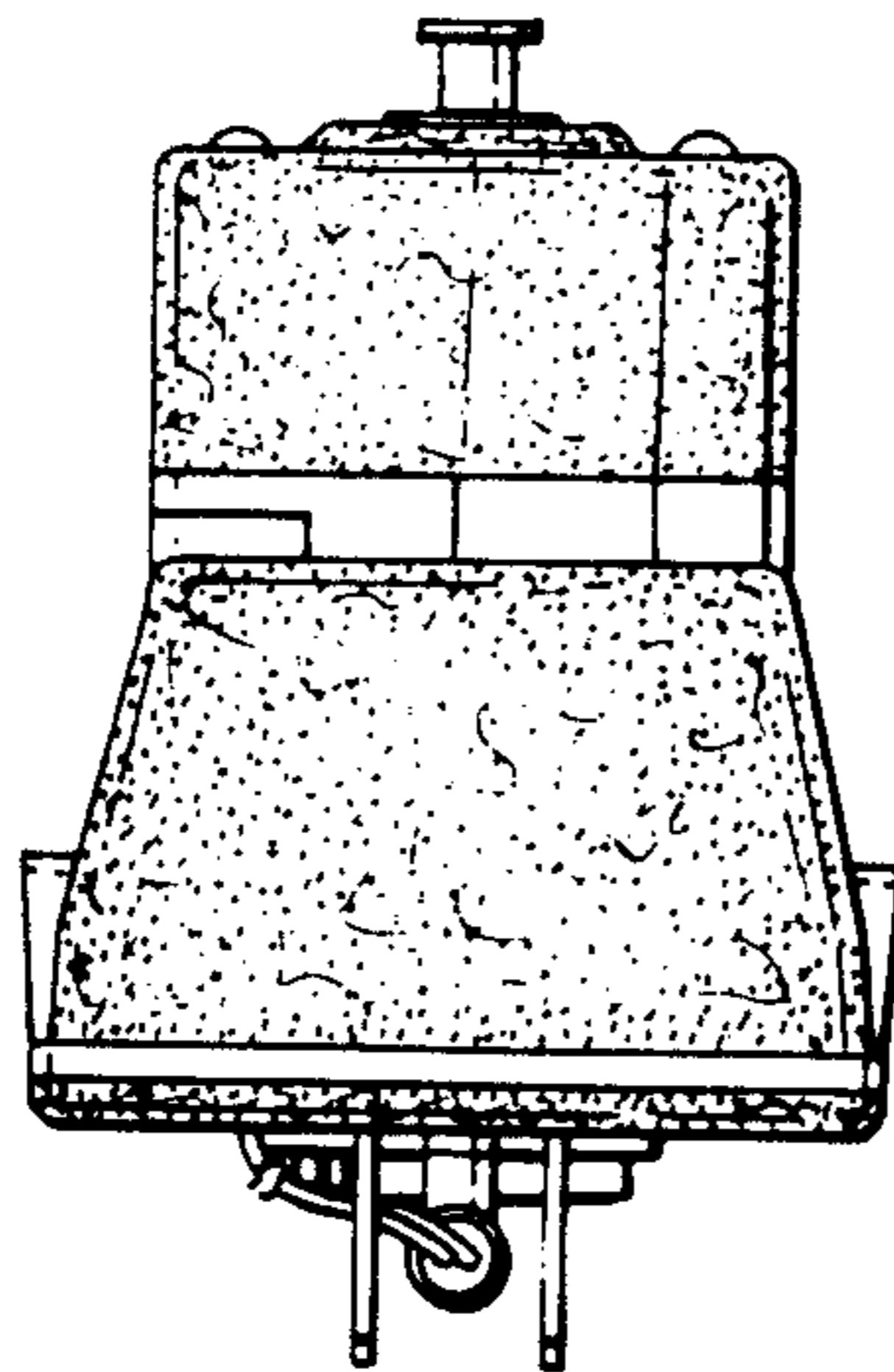


FIG 4

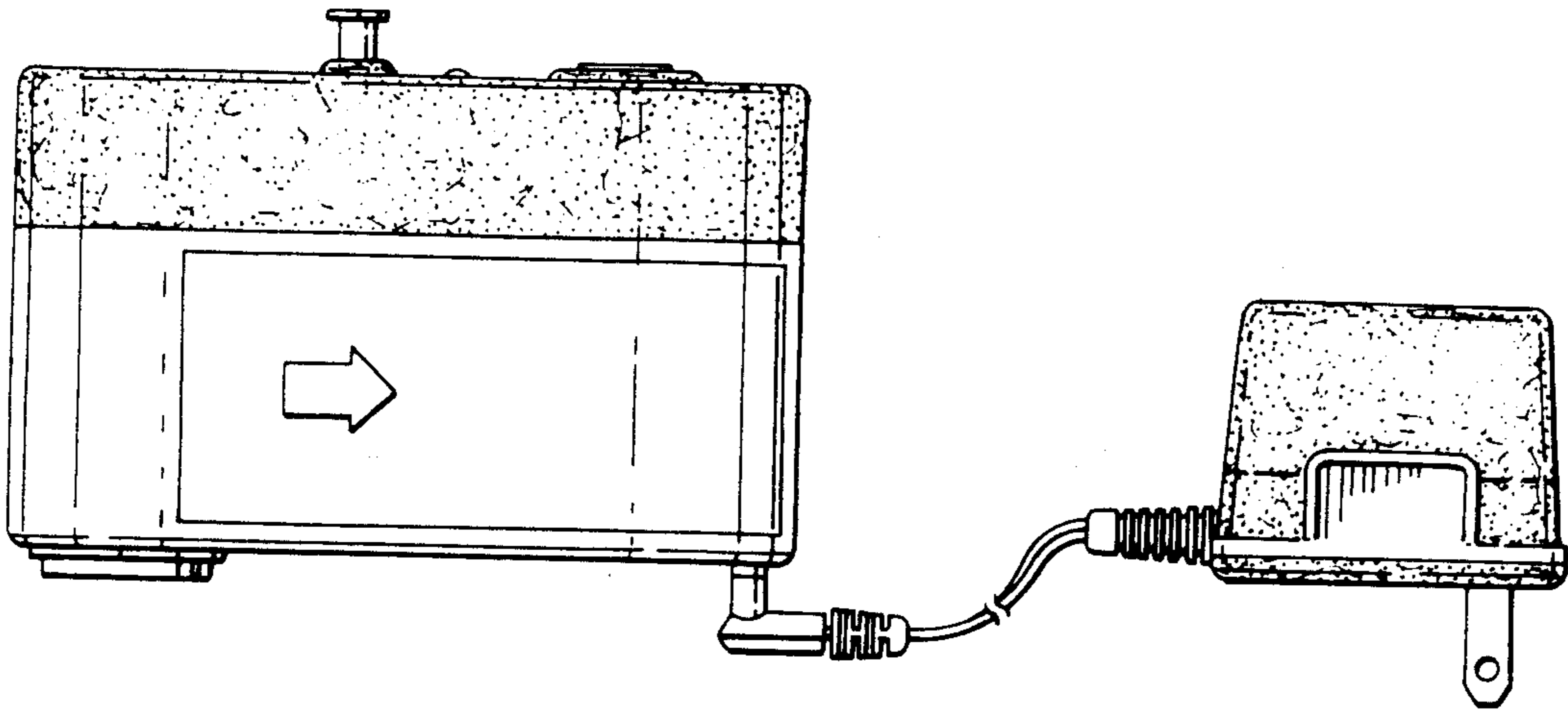


FIG. 5

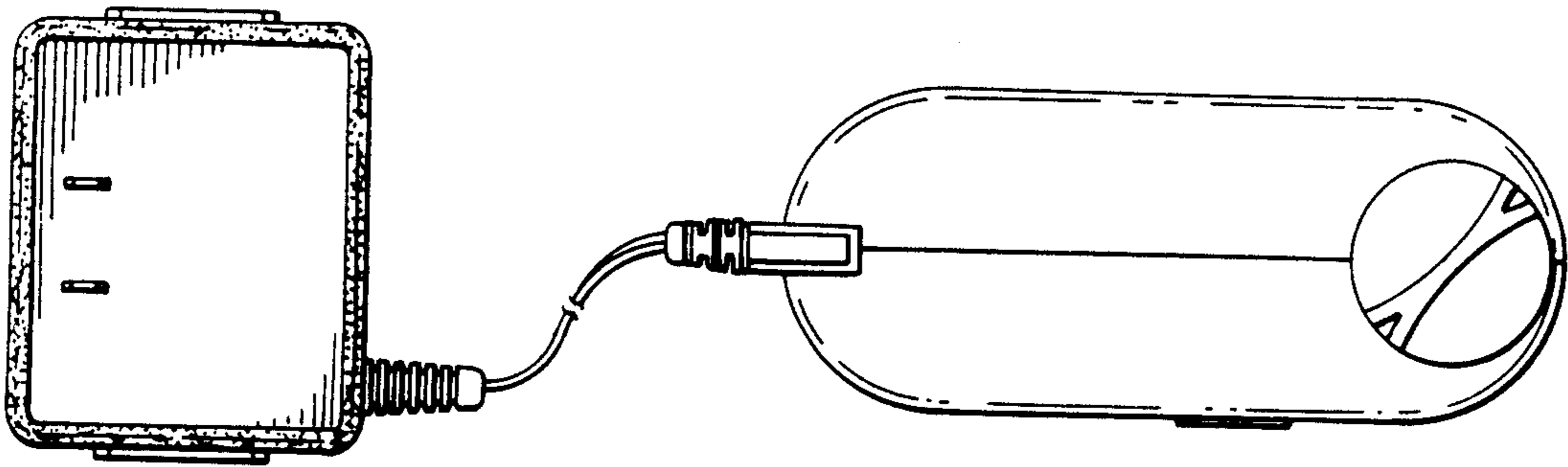


FIG. 6

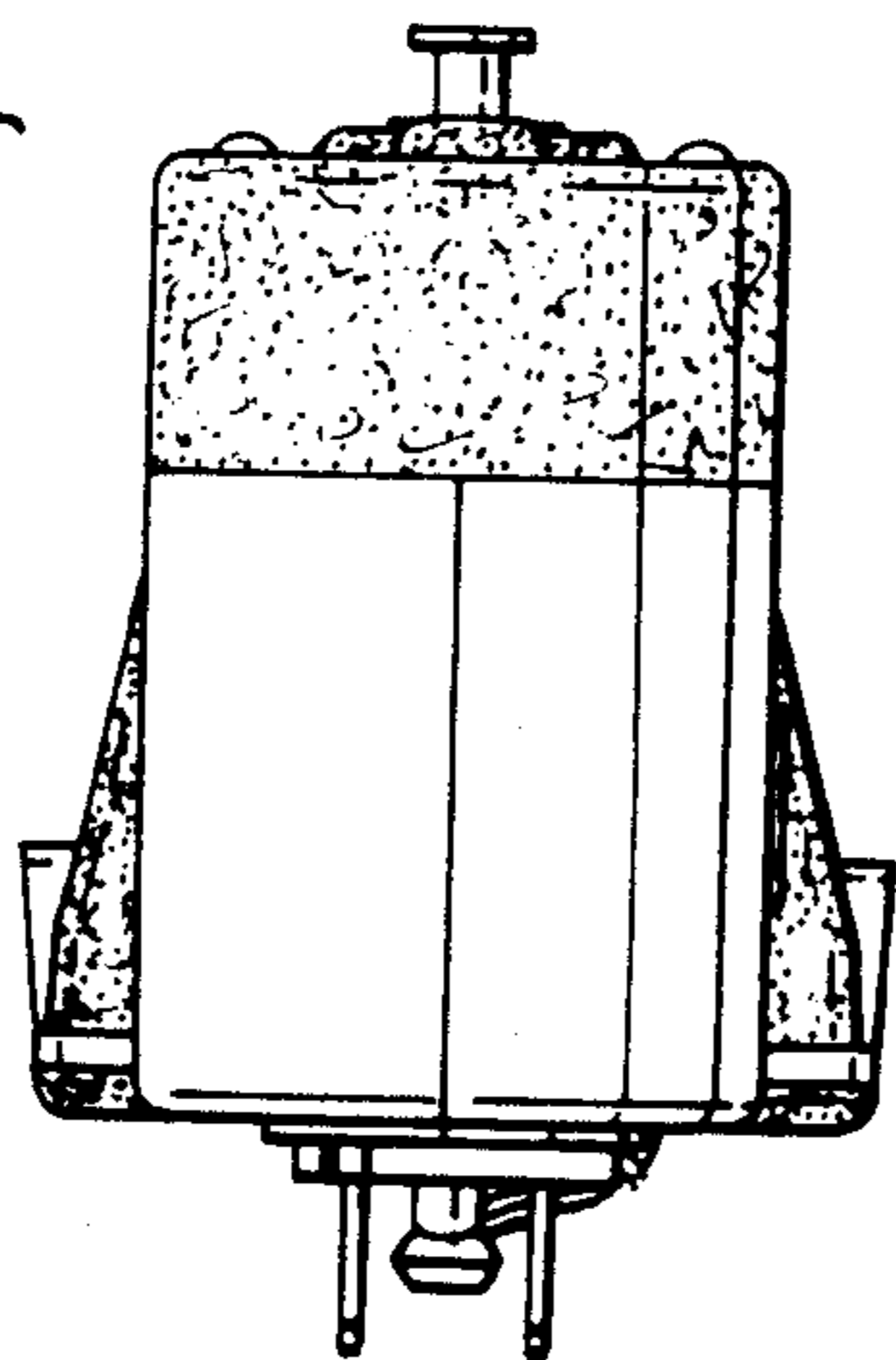


FIG. 7.

