

[54] CABINET

[75] Inventor: Giovanni Offredi, Milan, Italy

[73] Assignee: Fratelli Saporiti, Besnate, Italy

[**] Term: 14 Years

[21] Appl. No.: 848,011

[22] Filed: Oct. 31, 1977

[51] Int. Cl. D6-04

[52] U.S. Cl. D6/159; D6/166

[58] Field of Search D6/159, 160, 164, 158,
D6/165, 166, 168, 169, 170, 179, 25, 186, 188,
189, 190

[56] References Cited

U.S. PATENT DOCUMENTS

D. 165,241 11/1951 Porler D6/160

D. 178,783 9/1956 King D6/190 X

D. 182,832 5/1958 Lubberts et al. D6/166
D. 189,784 2/1961 Swarts et al. D6/166
D. 236,781 9/1975 Cowley D6/165
D. 241,293 9/1976 Introini D6/160

Primary Examiner—Bruce W. Dunkins
Attorney, Agent, or Firm—Hubbell, Cohen, Stiefel &
Gross

[57] CLAIM

The ornamental design for a cabinet, substantially as shown and described.

DESCRIPTION

FIG. 1 is a front perspective view of a cabinet showing my design;
FIG. 2 is a left side elevational view;
FIG. 3 is a right side elevational view;
FIG. 4 is a top plan view;
FIG. 5 is a front elevational view;
FIG. 6 is a bottom plan view; and
FIG. 7 is a rear elevational view thereof.

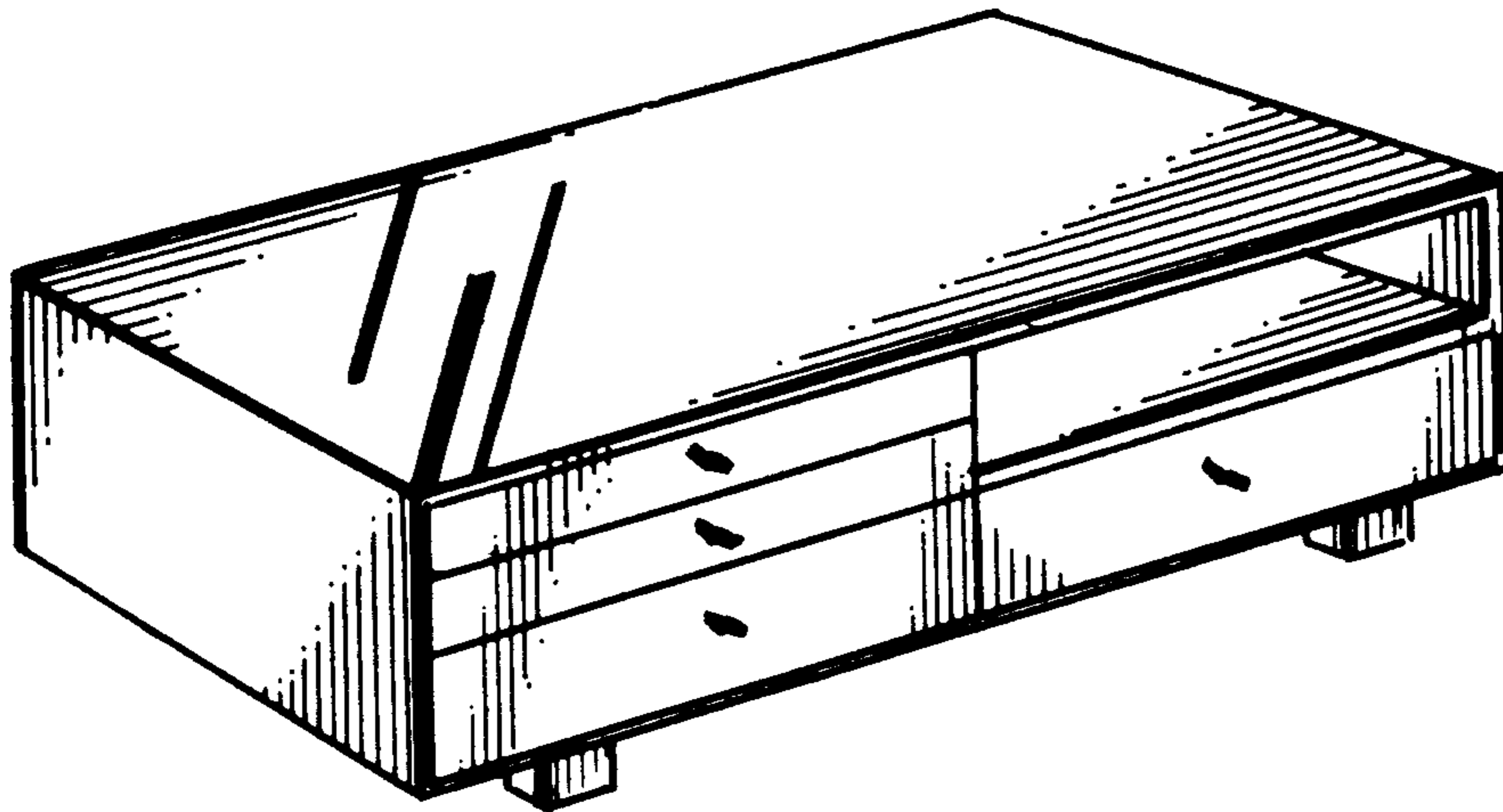


FIG. 1

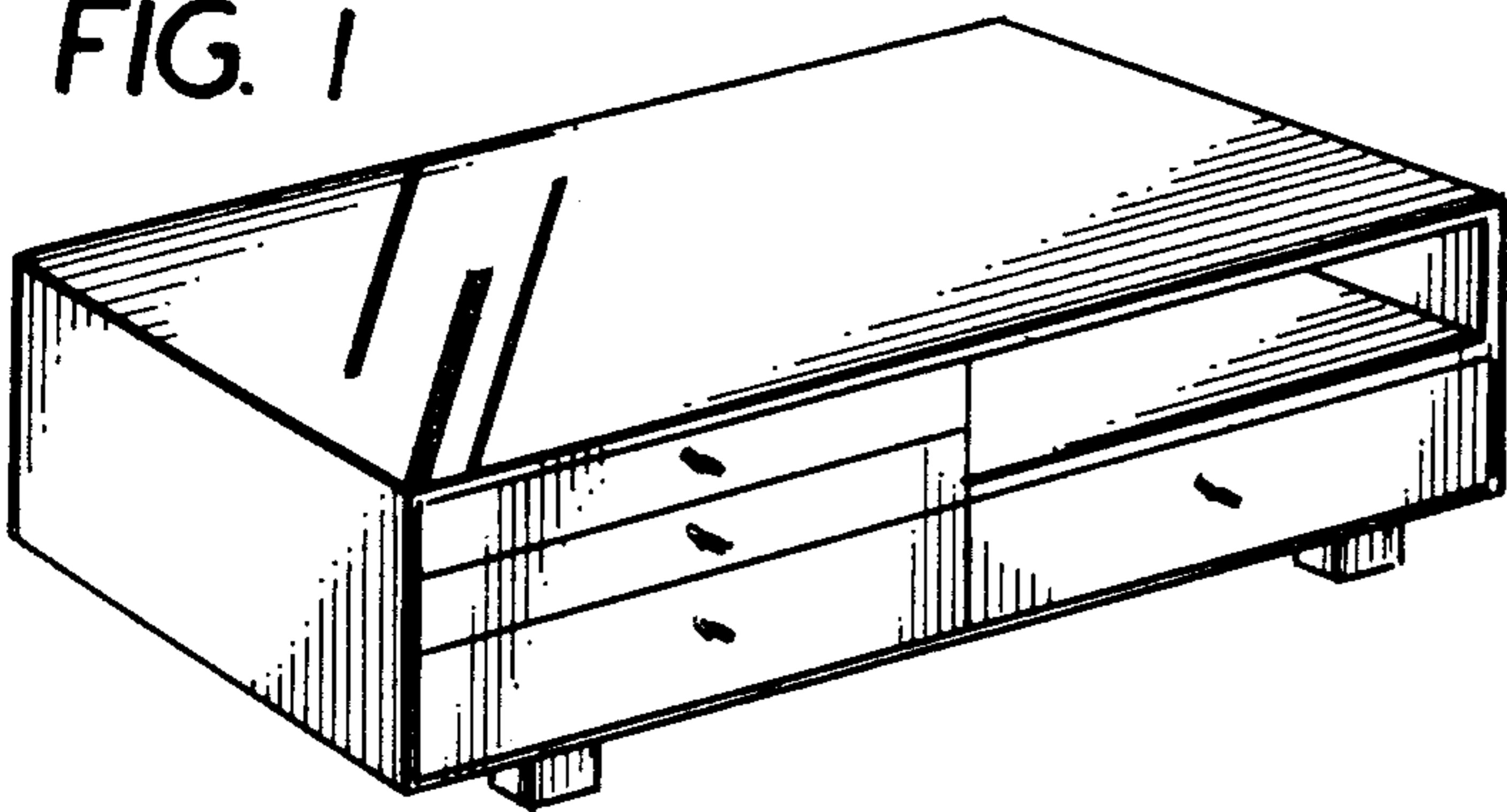


FIG. 2

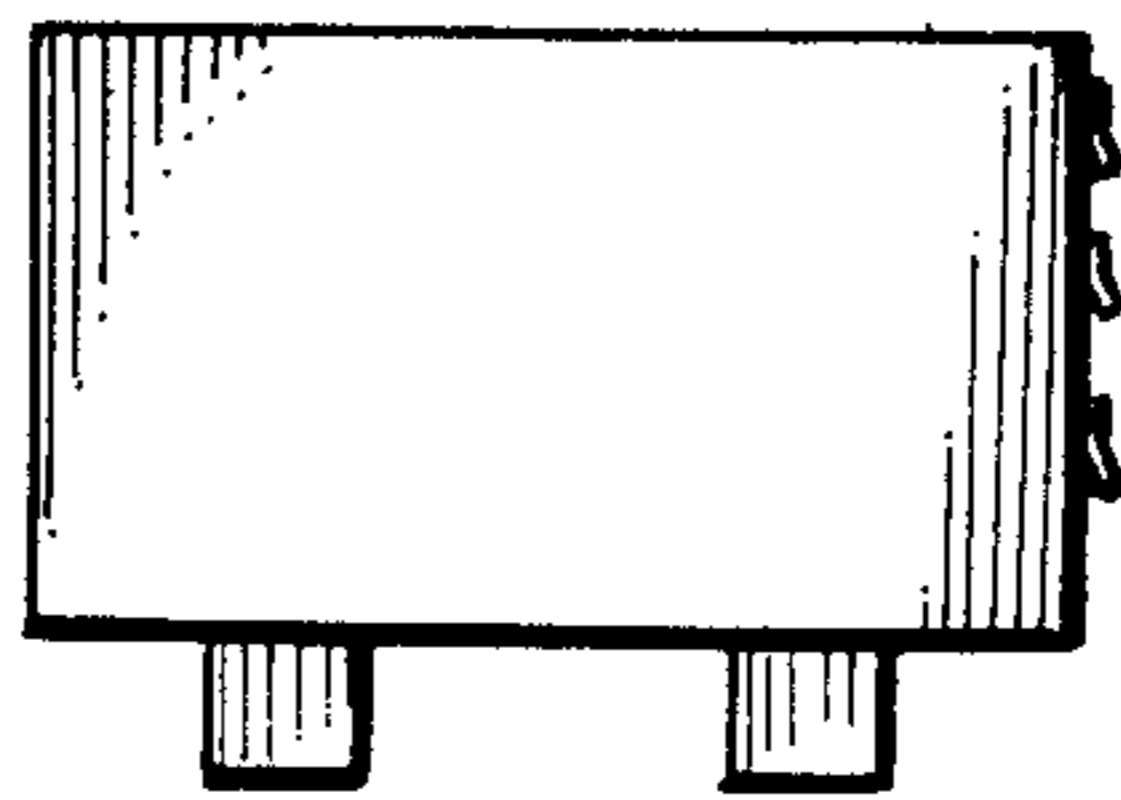


FIG. 3

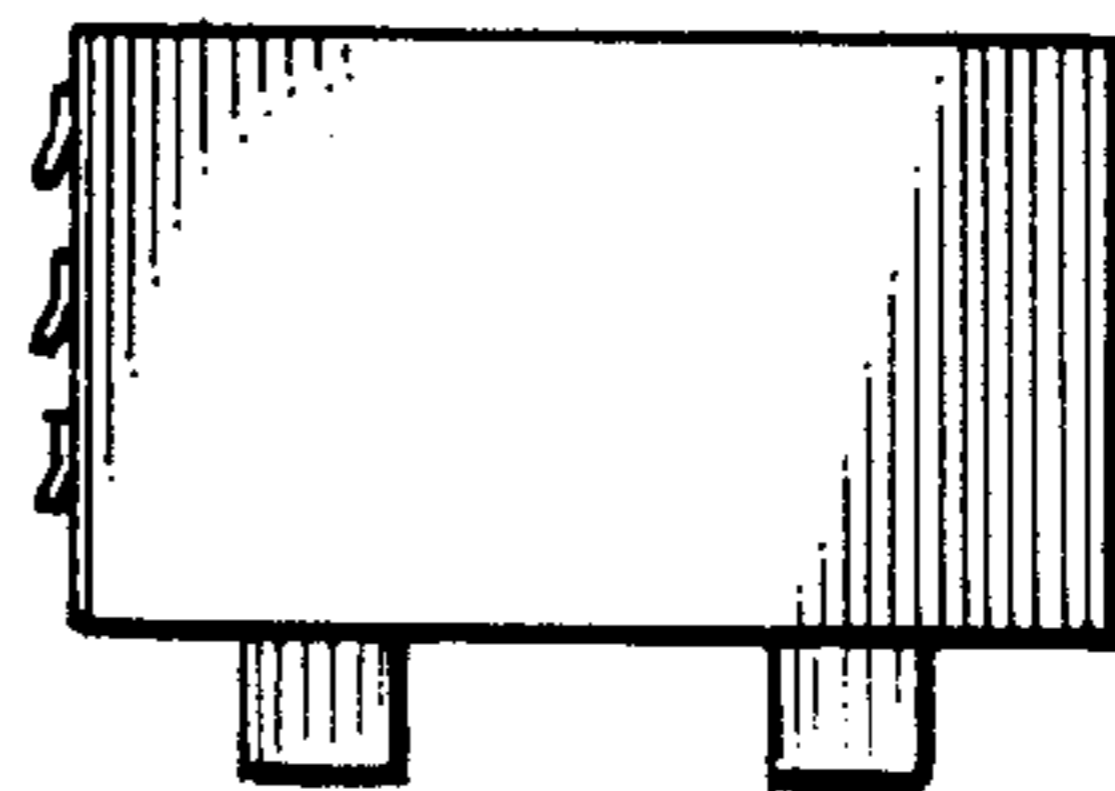


FIG. 4

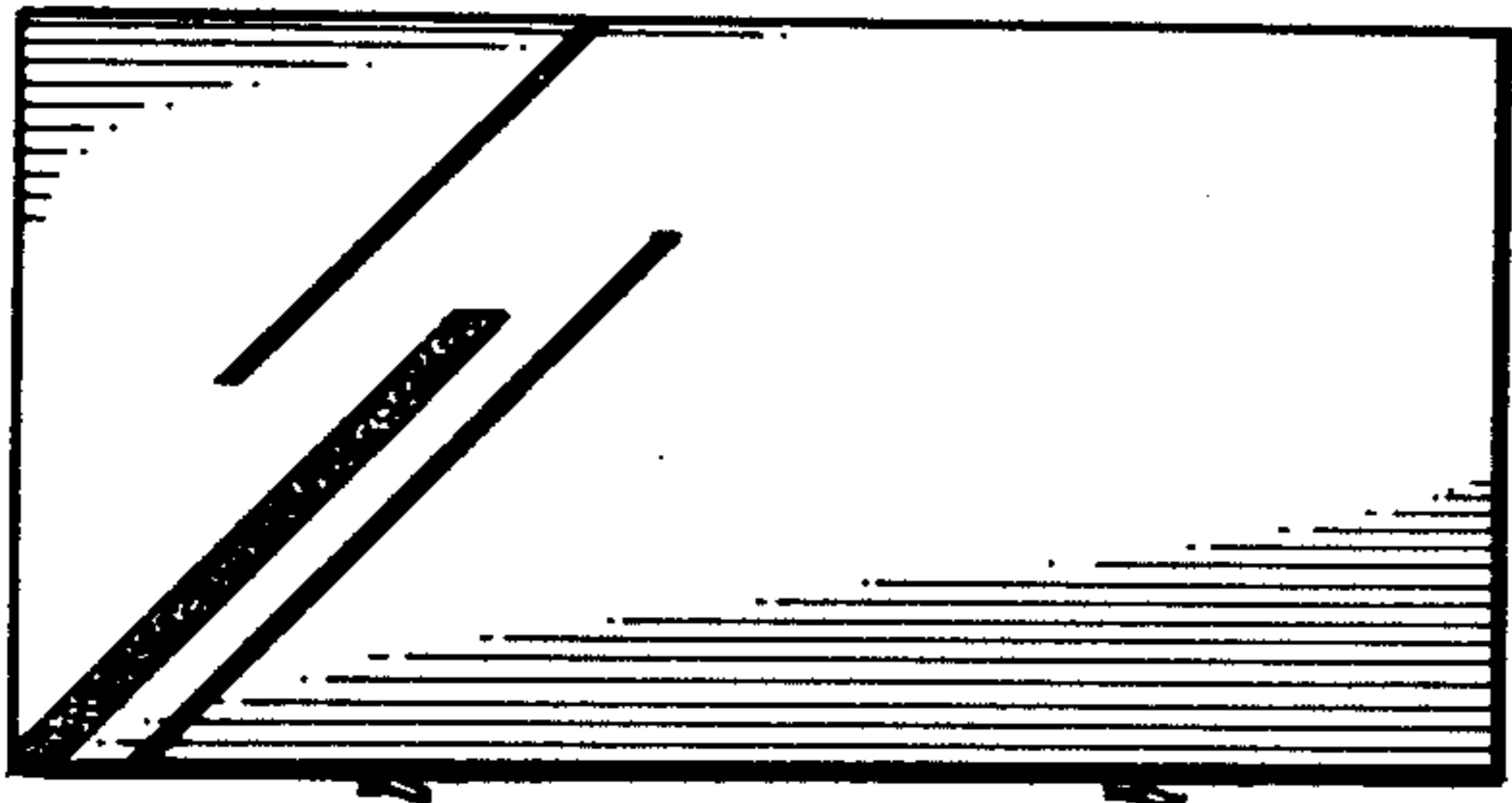


FIG. 5

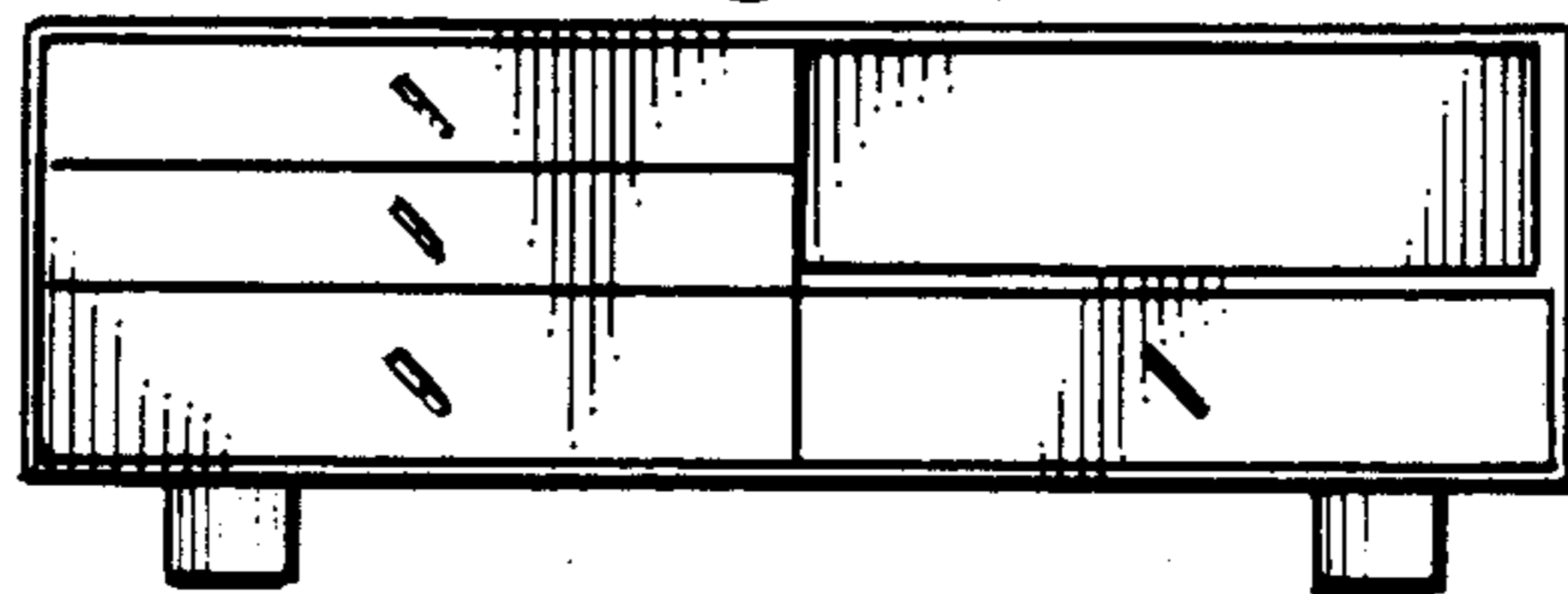


FIG. 6

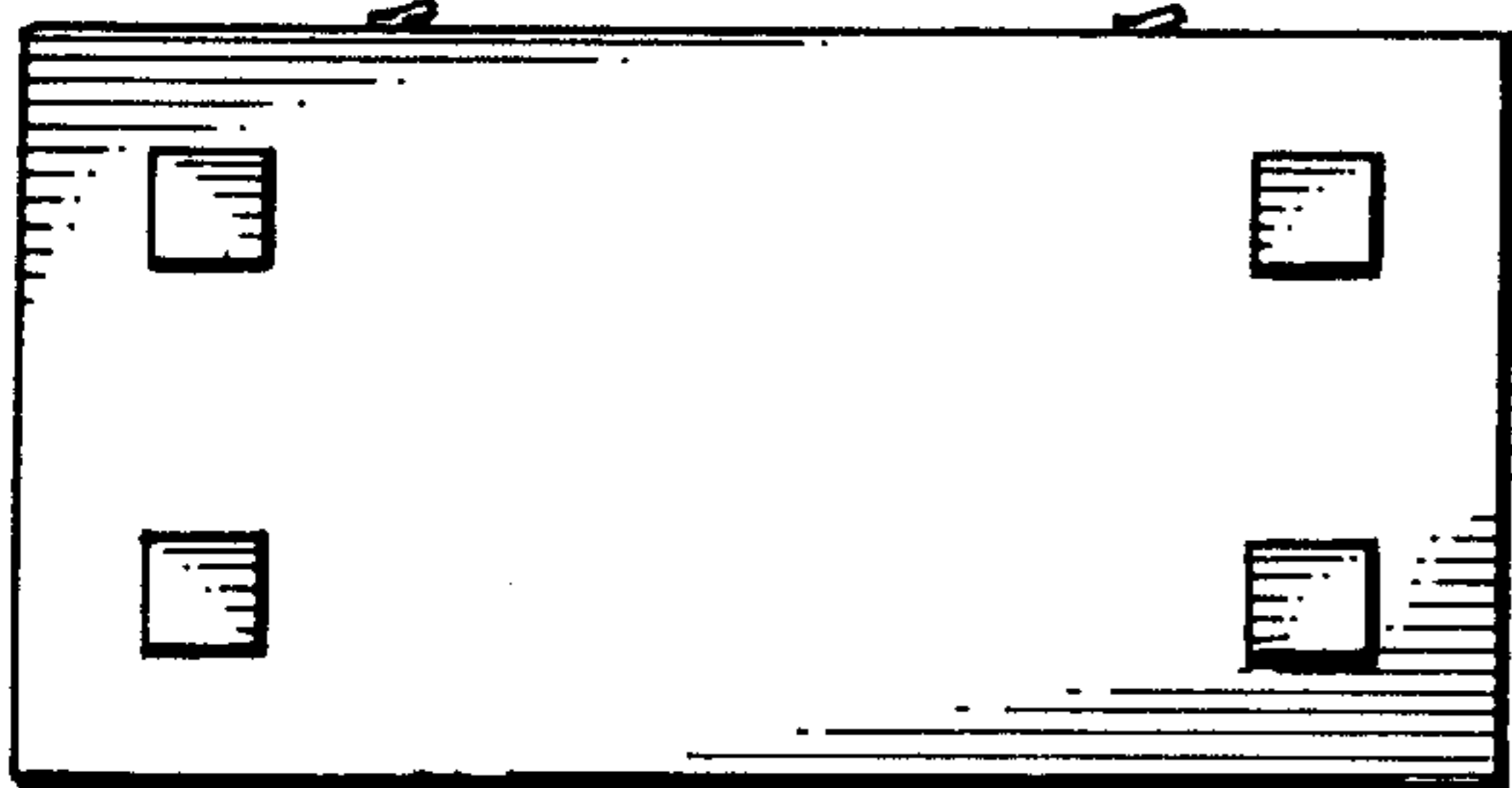


FIG. 7

