

[54] MULTI-UNIT BELT DISPLAY FIXTURE

[75] Inventors: Allan L. Ford, Melrose Park; William A. Cole, Jenkintown, both of Pa.

[73] Assignee: Reborn Products Co., Inc., Philadelphia, Pa.

[**] Term: 14 Years

[21] Appl. No.: 45,453

[22] Filed: Jun. 4, 1979

[51] Int. Cl. D20-02

[52] U.S. Cl. D6/157; D6/28; D6/119

[58] Field of Search D6/20, 23, 24, 25, 27, D6/28, 29, 85, 157, 117, 119, 234; 211/13, 163, 181

[56] References Cited

U.S. PATENT DOCUMENTS

| | | | |
|------------|---------|----------------------|--------|
| D. 179,891 | 3/1957 | Flannery | D6/28 |
| D. 243,892 | 4/1977 | Ferriter et al. | D6/25 |
| D. 246,274 | 11/1977 | Nelson et al. | D6/234 |
| D. 252,963 | 9/1979 | Ford et al. | D6/29 |
| 3,978,593 | 9/1976 | Pulitzer | D6/85 |

Primary Examiner—B. J. Bullock
Attorney, Agent, or Firm—Caesar, Rivise, Bernstein & Cohen, Ltd.

[57] CLAIM

The ornamental design for a multi-unit belt display fixture, substantially as shown.

DESCRIPTION

FIG. 1 is a perspective view of a multi-unit belt display fixture showing our new design; FIG. 2 is a front elevational view thereof, the rear being identical; FIG. 3 is a side elevational view taken from the left of FIG. 1, the side opposite being identical; FIG. 4 is a top plan view thereof; and FIG. 5 is a bottom plan view thereof.

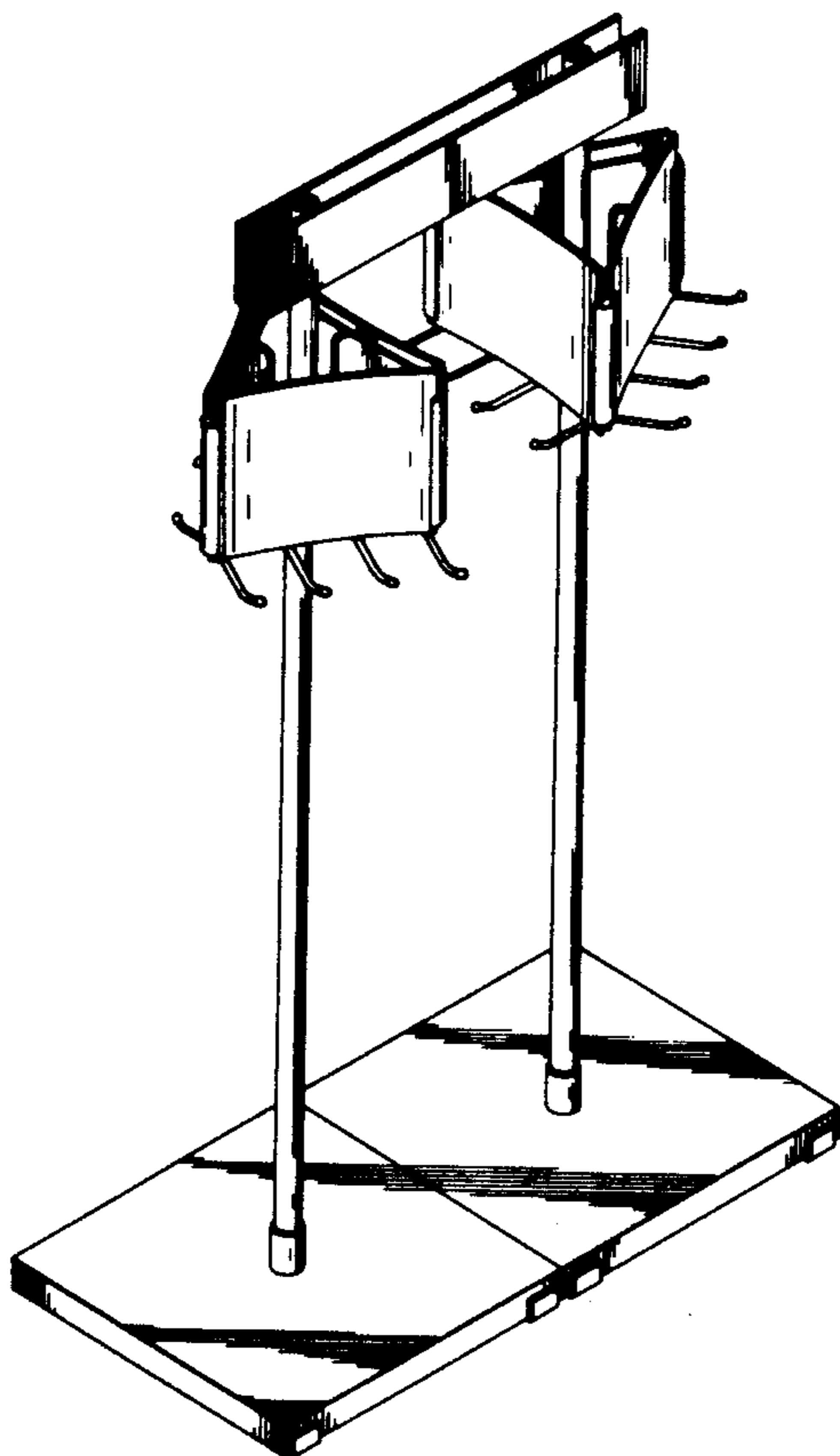
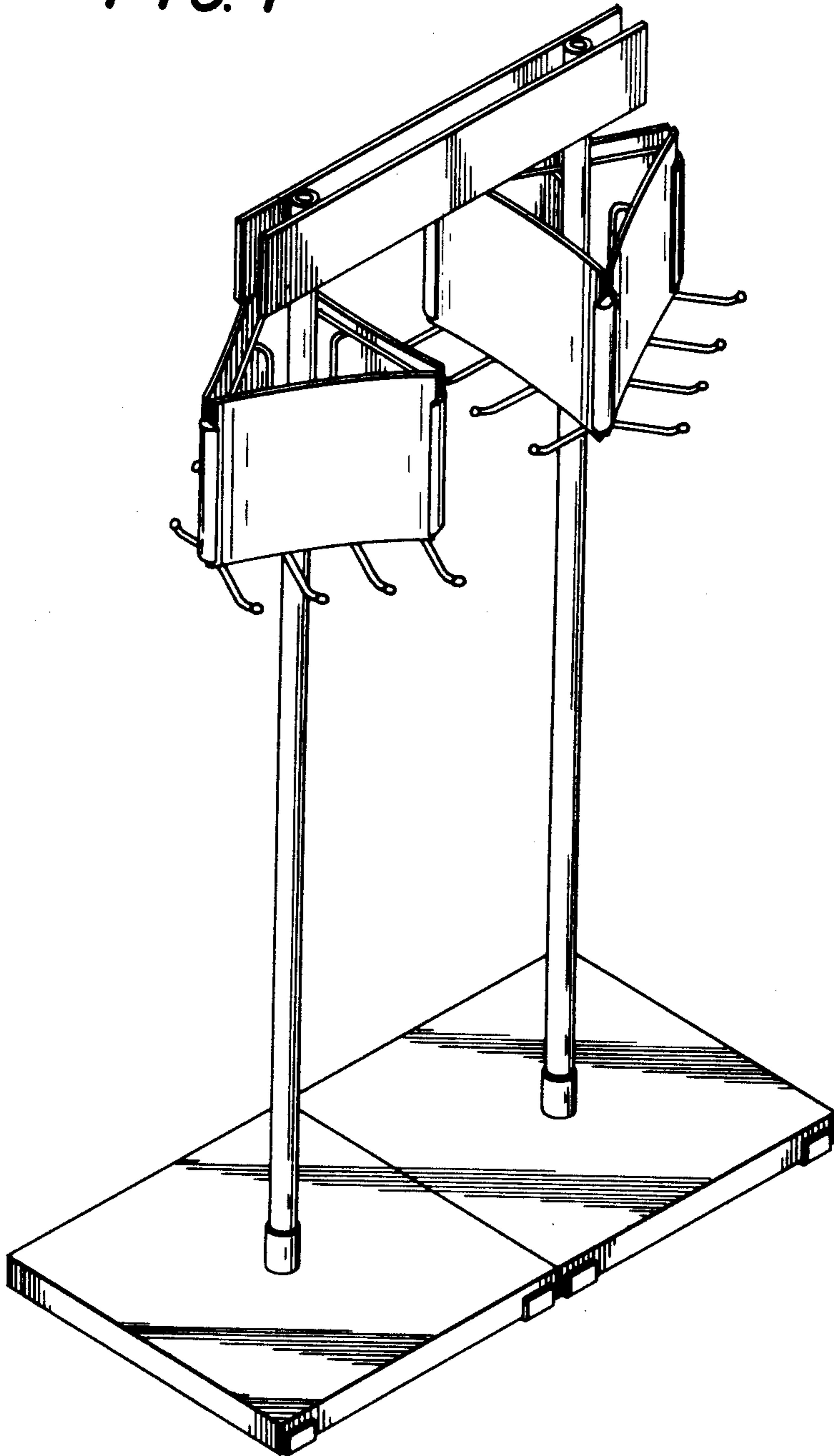


FIG. 1



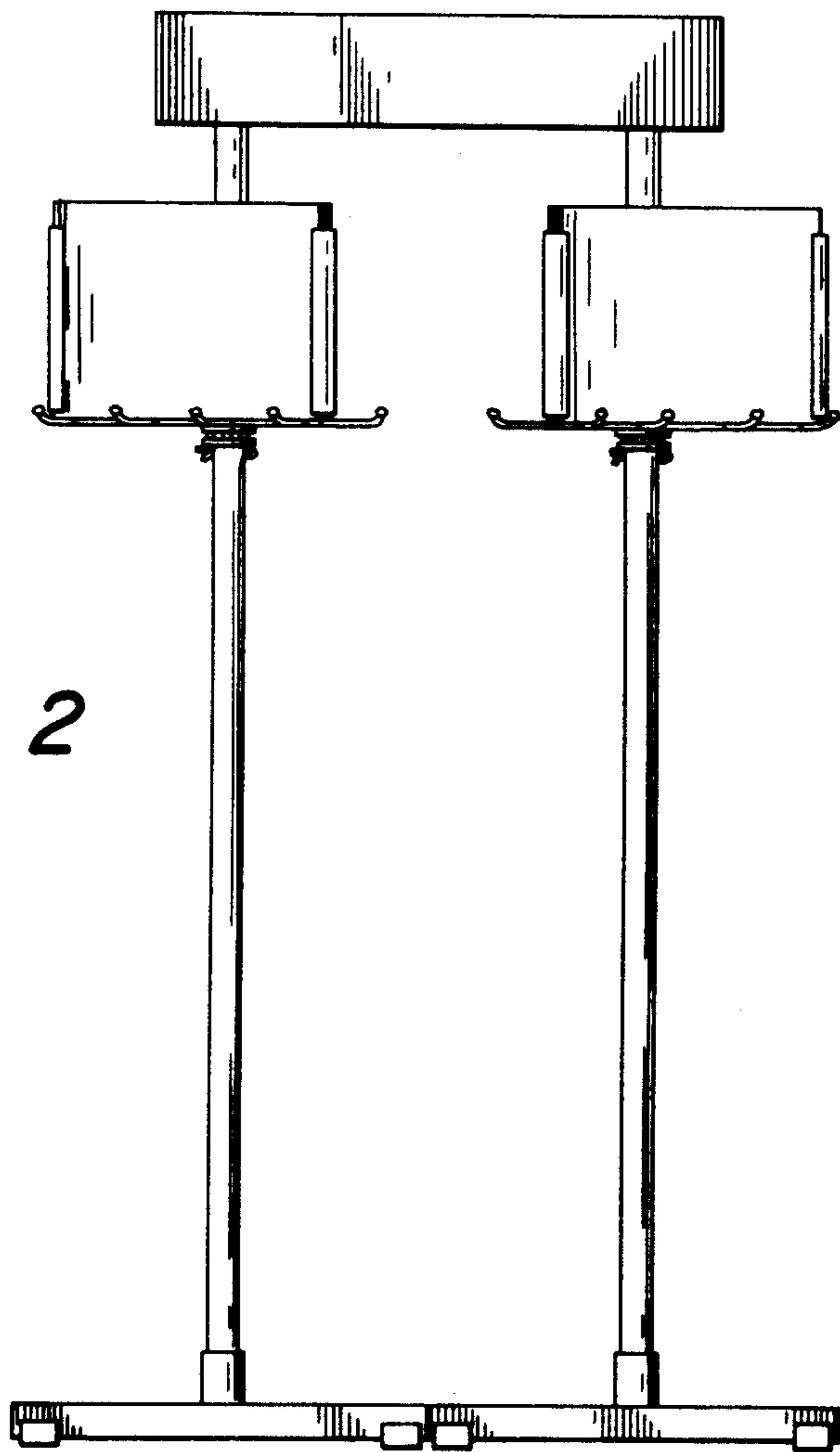


FIG. 2

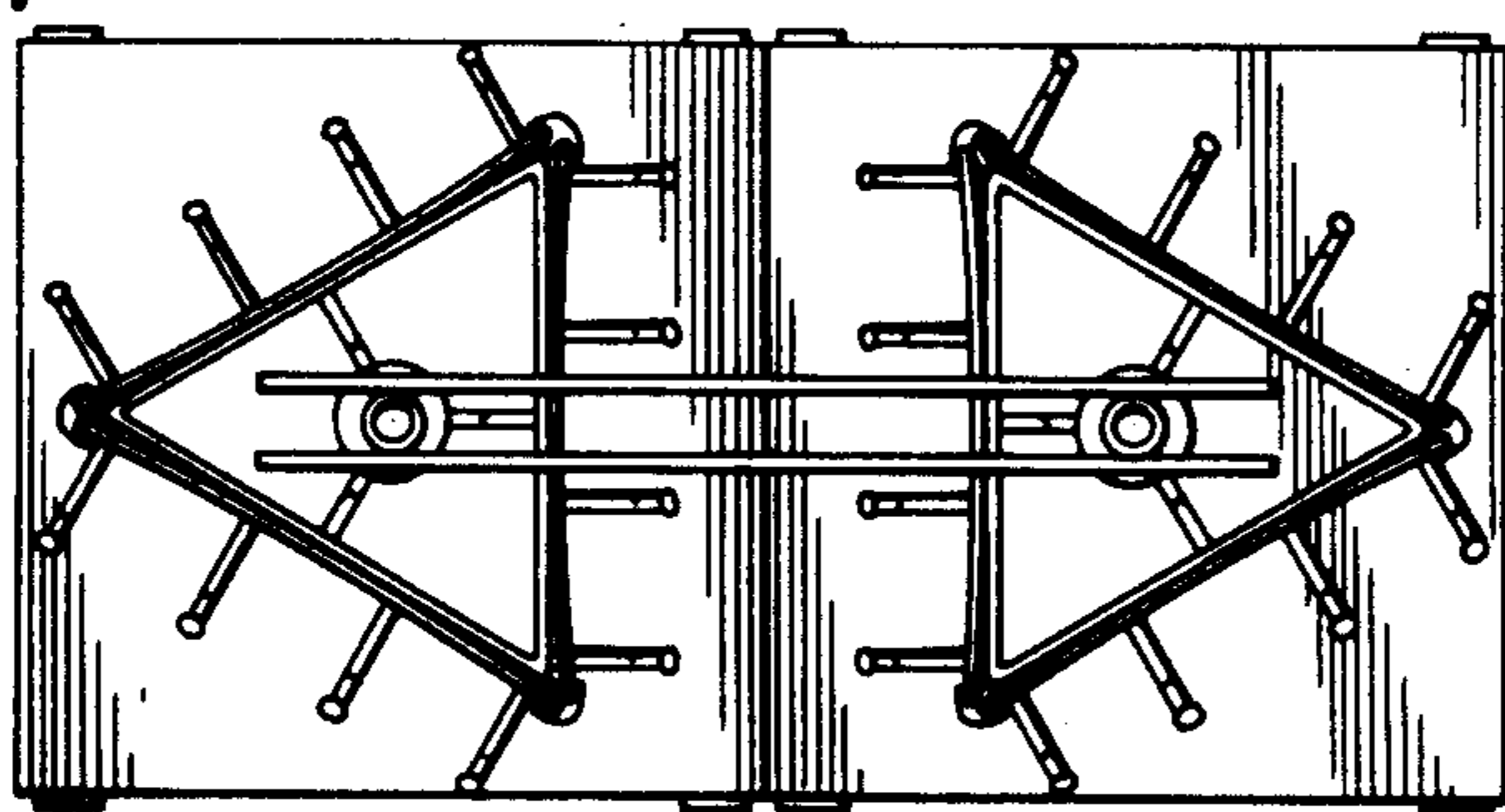


FIG. 4

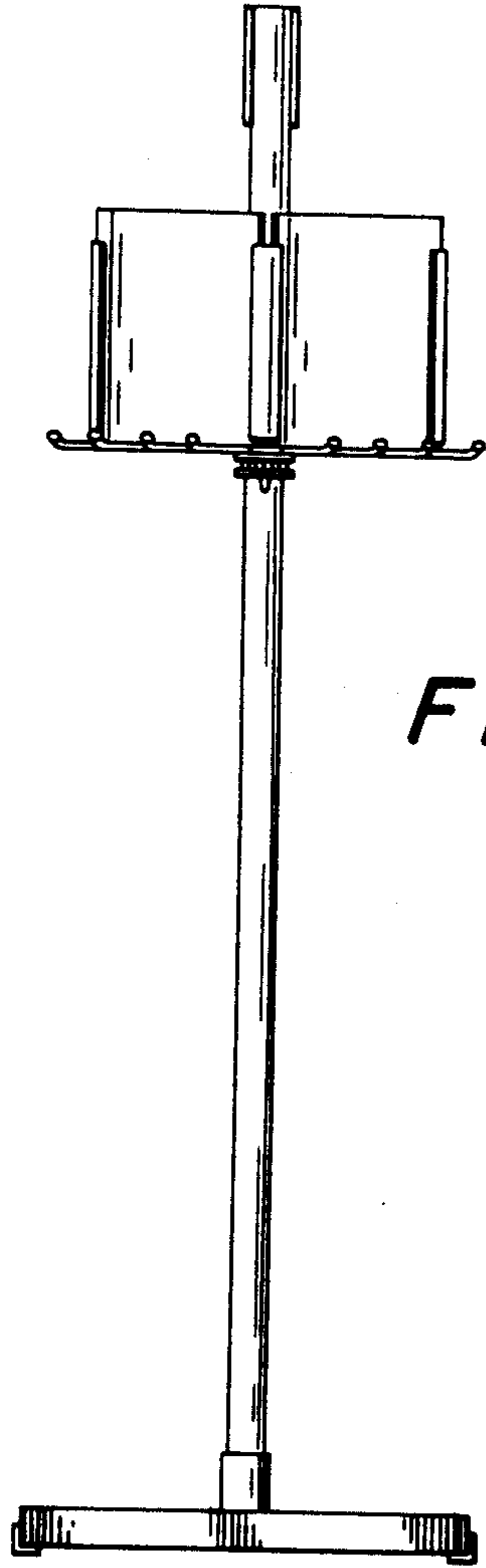


FIG. 3

FIG. 5

