

[54] TOOL HOLDER

1,170,231 2/1916 Flint D6/94
2,903,138 9/1959 Brown 211/60 T
2,974,804 3/1961 Maro 211/60 T

[75] Inventor: Sven P. Nordlund, Kåge, Sweden

[73] Assignee: Handelsbolaget Nordlunds
Karosseriverkstad, Sven &
Anna-Stina Nordlund, Kåge, Sweden

FOREIGN PATENT DOCUMENTS

2707585 7/1978 Fed. Rep. of Germany 211/60 T

[**] Term: 14 Years

Primary Examiner—B. J. Bullock
Attorney, Agent, or Firm—Fleit & Jacobson

[21] Appl. No.: 49,982

[57] CLAIM

The ornamental design for a tool holder, substantially as shown and described.

[22] Filed: Jun. 19, 1979

[51] Int. Cl. D6—04; D23—02

[52] U.S. Cl. D6/125; D6/94;
D6/114

[58] Field of Search D6/94, 114, 125, 157;
D15/140; 211/13, 60 R, 60 T, 87, 88, 90;
248/309 R

DESCRIPTION

FIG. 1 is a front elevational view of a tool holder showing my new design;
FIG. 2 is an end elevational view taken from the right of FIG. 1;
FIG. 3 is a top plan view thereof;
FIG. 4 is a rear elevational view thereof;
FIG. 5 is a perspective view thereof.
The tool holder is shown broken away to indicate indeterminate length.

[56] References Cited

U.S. PATENT DOCUMENTS

D. 251,819 5/1979 Nuttall et al. D6/125

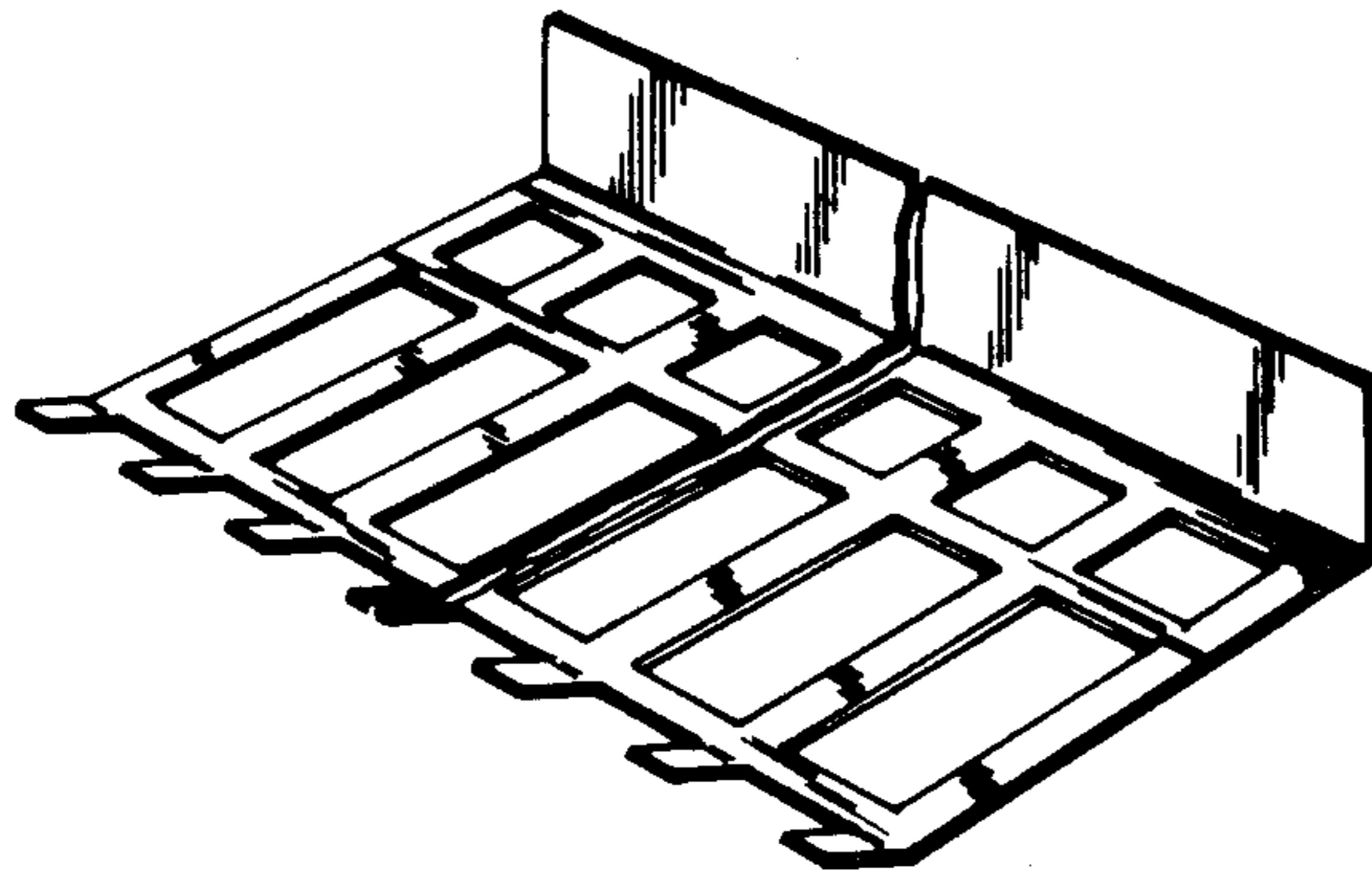


Fig. 2

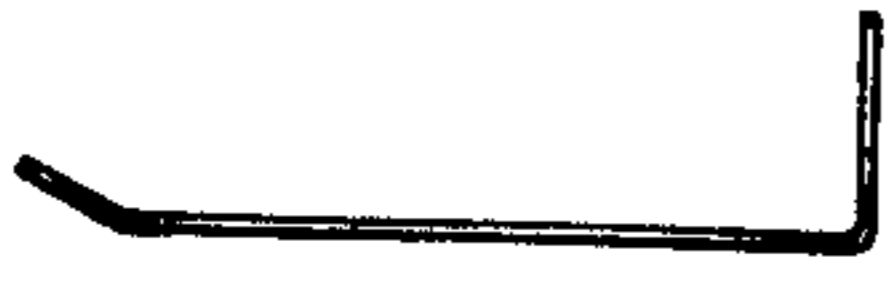


Fig. 1

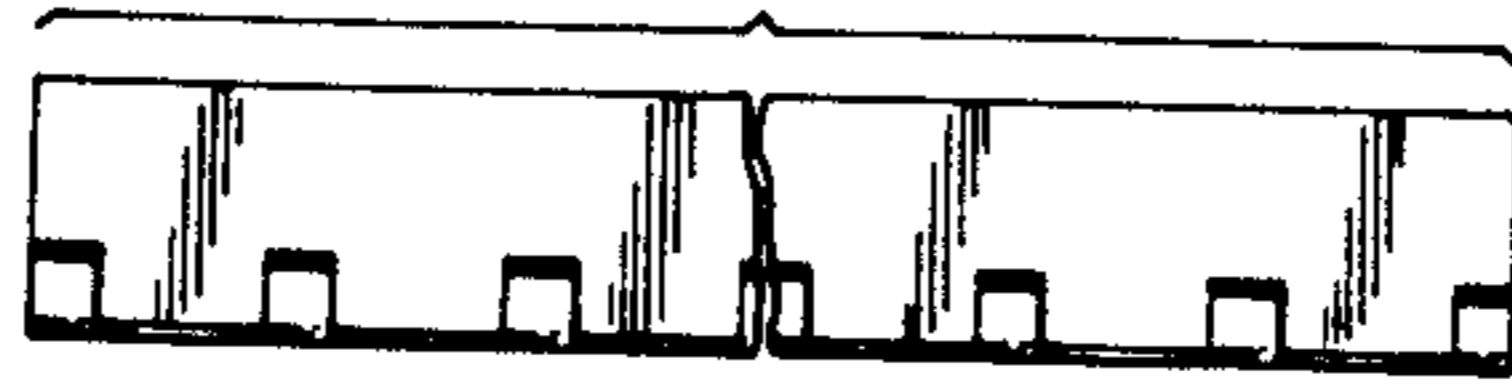


Fig. 3

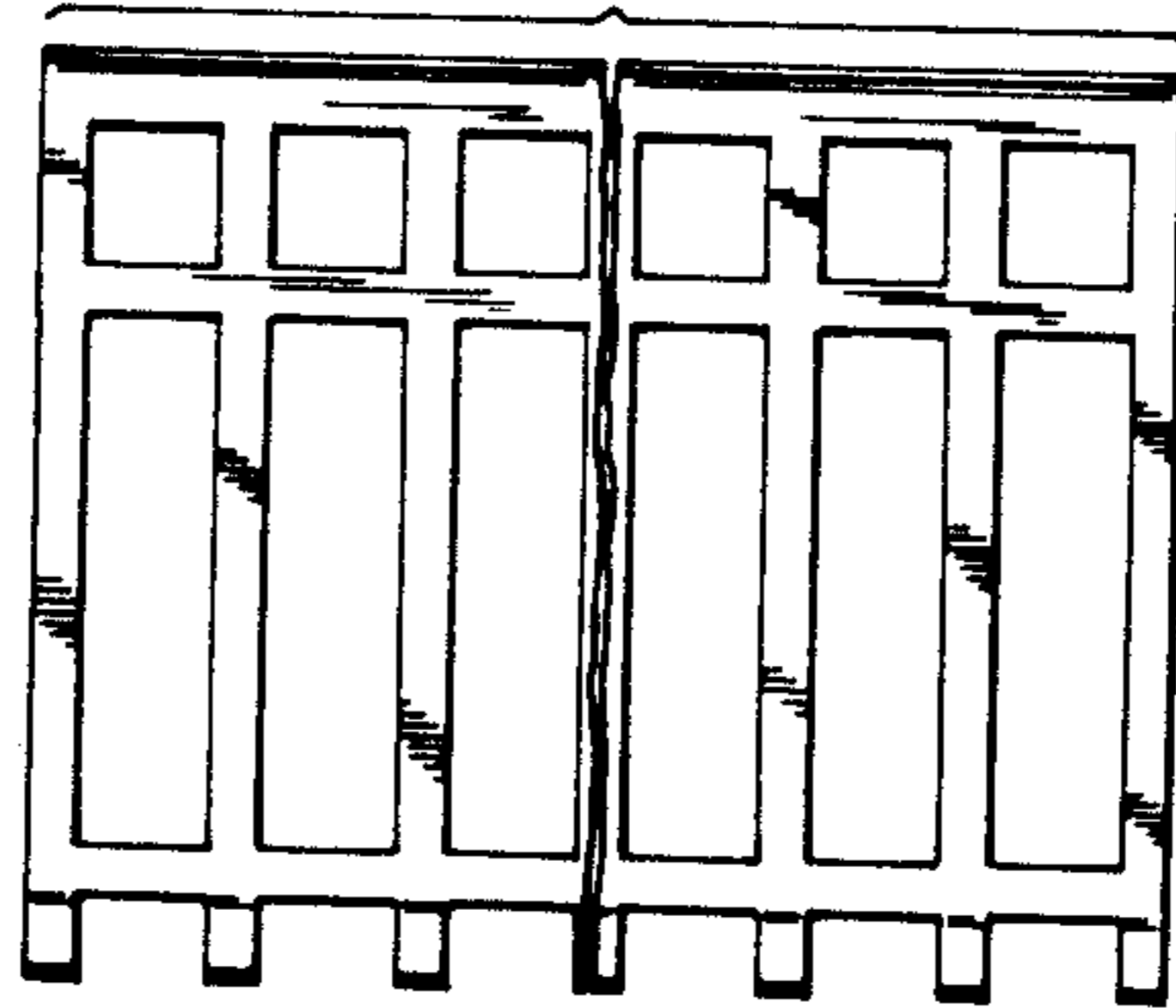


Fig. 4



Fig. 5

