

[54] TOILET PAPER HOLDER

[75] Inventor: Douglas M. Crowe, Richmond Hill, Canada

[73] Assignee: Smith & Stone Limited, Toronto, Canada

[**] Term: 14 Years

[21] Appl. No.: 64,639

[22] Filed: Aug. 7, 1979

[30] Foreign Application Priority Data

Feb. 20, 1979 [CA] Canada 20-02-79-6

[51] Int. Cl. D23-02

[52] U.S. Cl. D6/97

[58] Field of Search D6/89, 96-98, D6/114, 99, 103; 242/55.2, 55.3, 55.42, 55.53, 55.54; 211/87, 105.1, 106, 123

[56] References Cited

PUBLICATIONS

Sweet's Architectural Catalog File 1972, Sec. 9.18/Un, p. 5, Paper Holder 408.

Primary Examiner—B. J. Bullock

Attorney, Agent, or Firm—Stevens, Davis, Miller & Mosher

[57] CLAIM

The ornamental design for a toilet paper holder, as shown.

DESCRIPTION

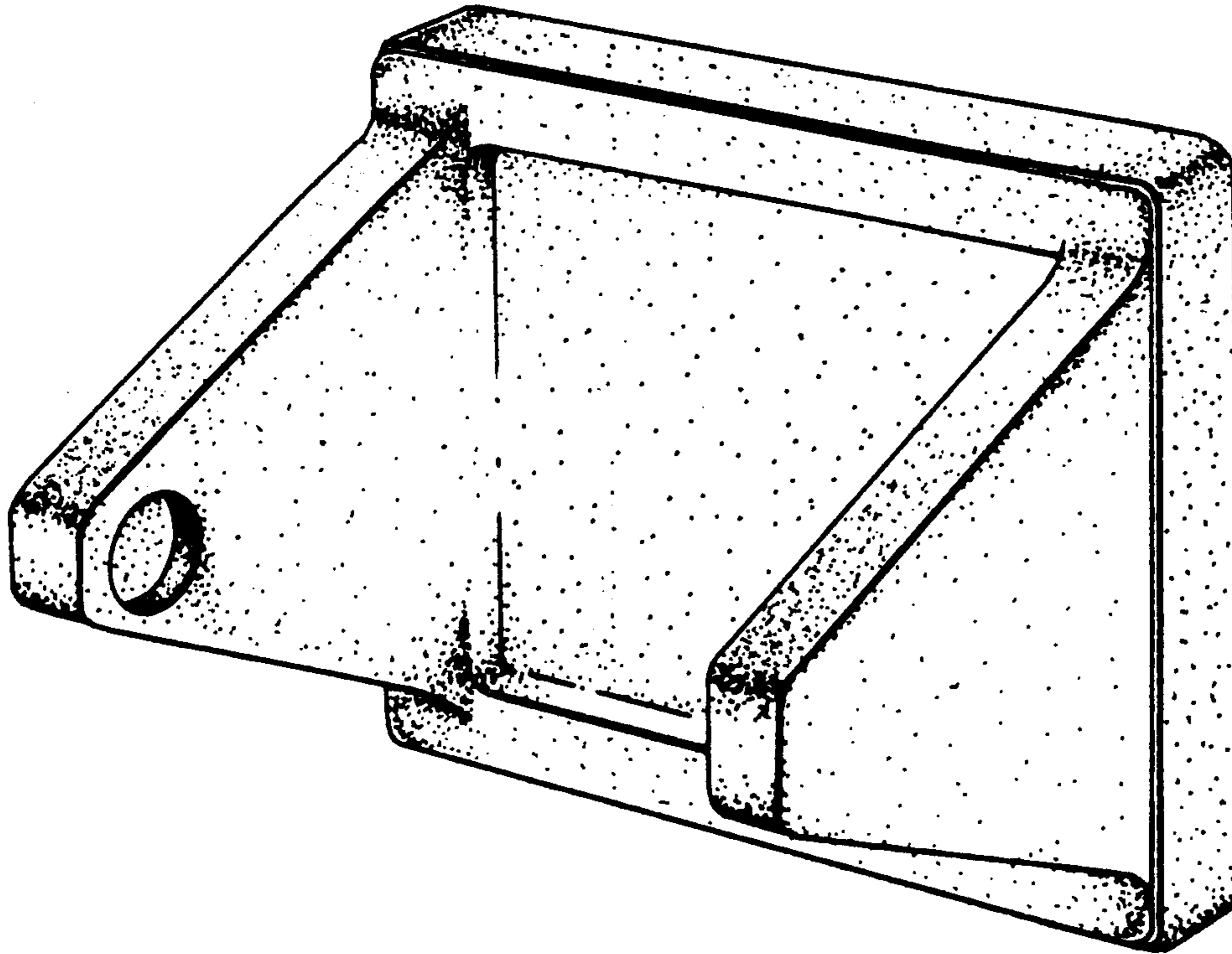
FIG. 1 is a perspective view of a toilet paper holder showing my new design;

FIG. 2 is a front elevational view;

FIG. 3 is an end elevational view taken from the right of FIG. 1, the end opposite being a mirror image thereof;

FIG. 4 is a rear elevational view;

FIG. 5 is a top plan view, the bottom being a mirror image thereof.



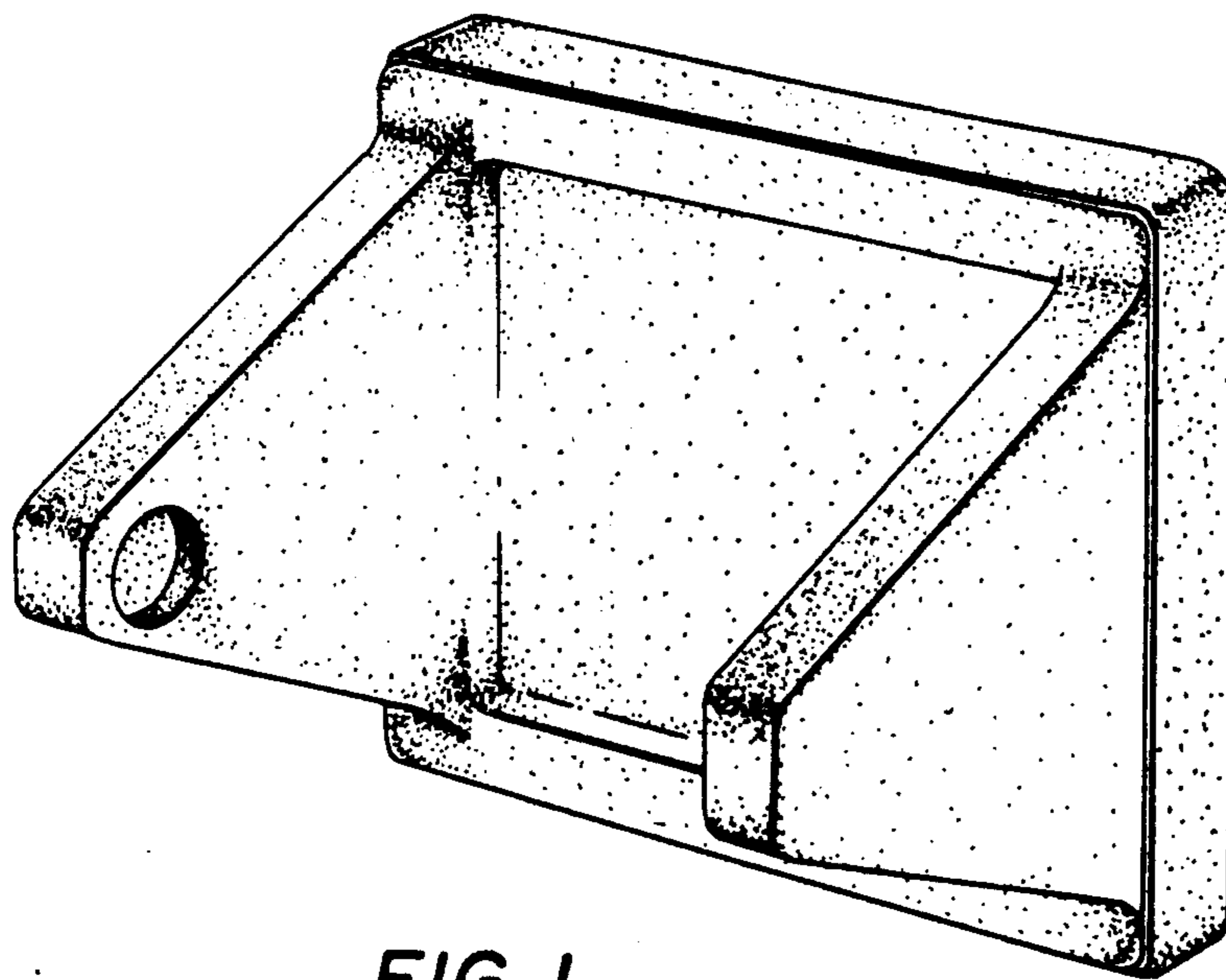


FIG. 1

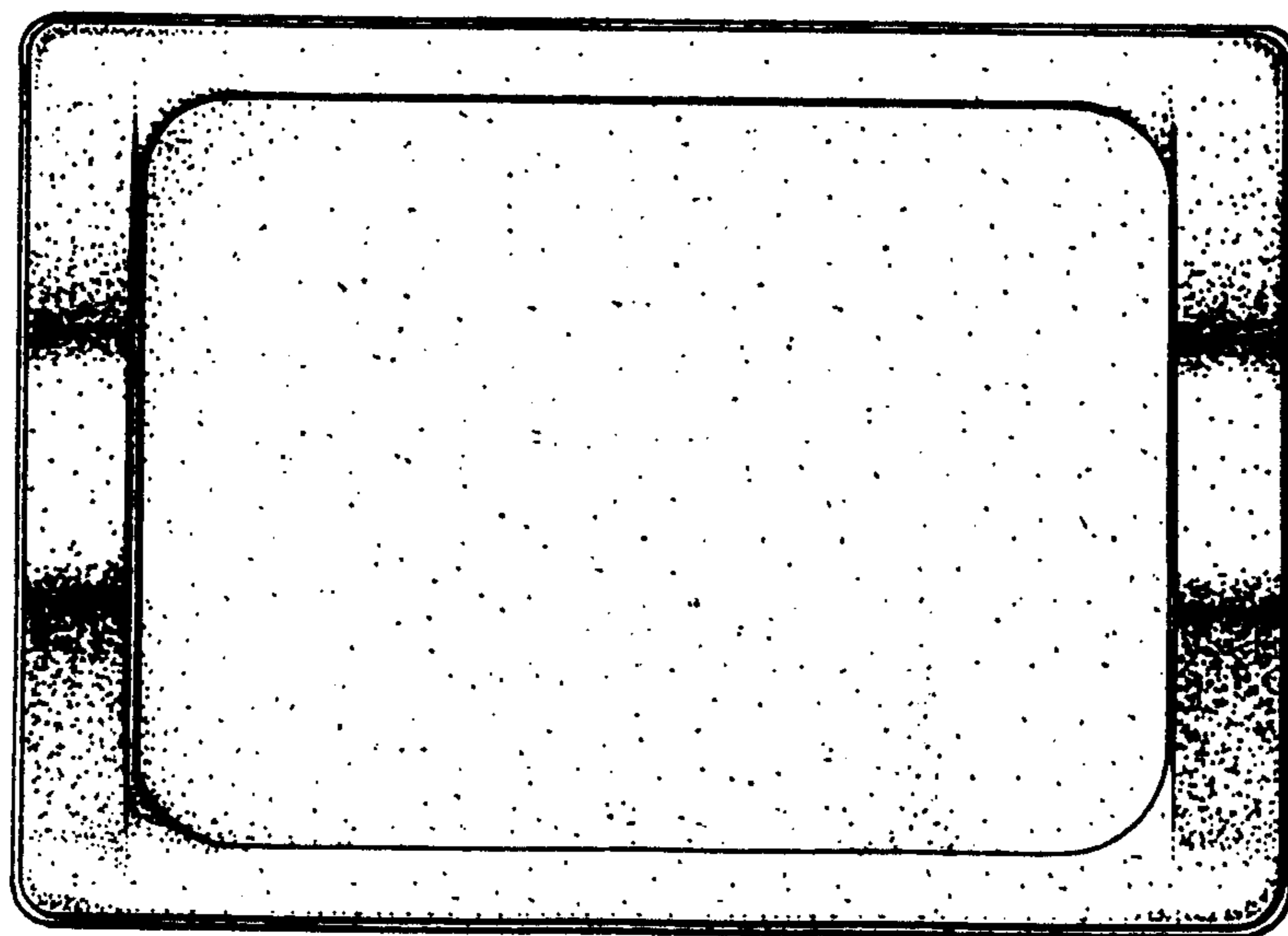


FIG. 2

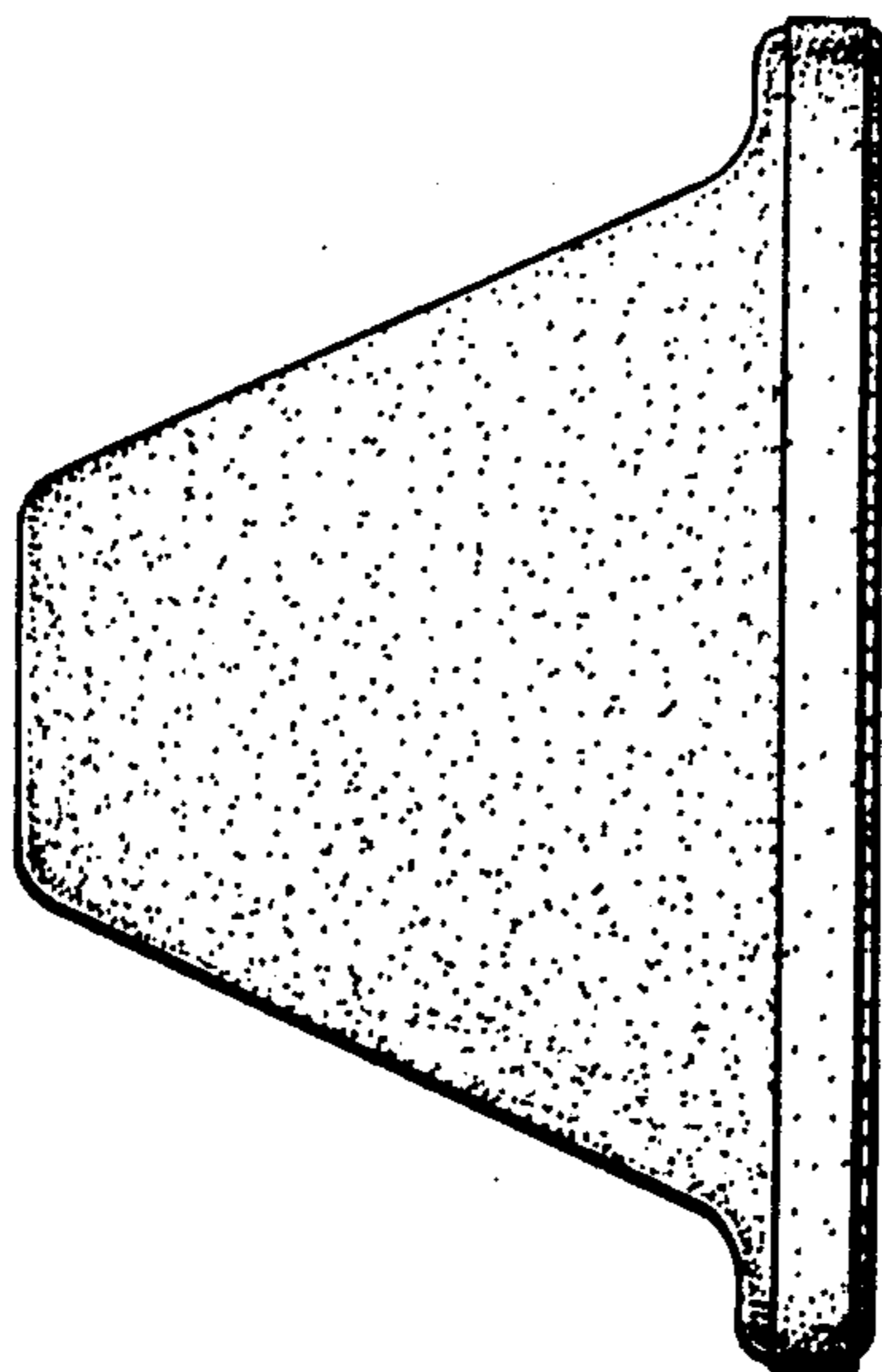


FIG. 3

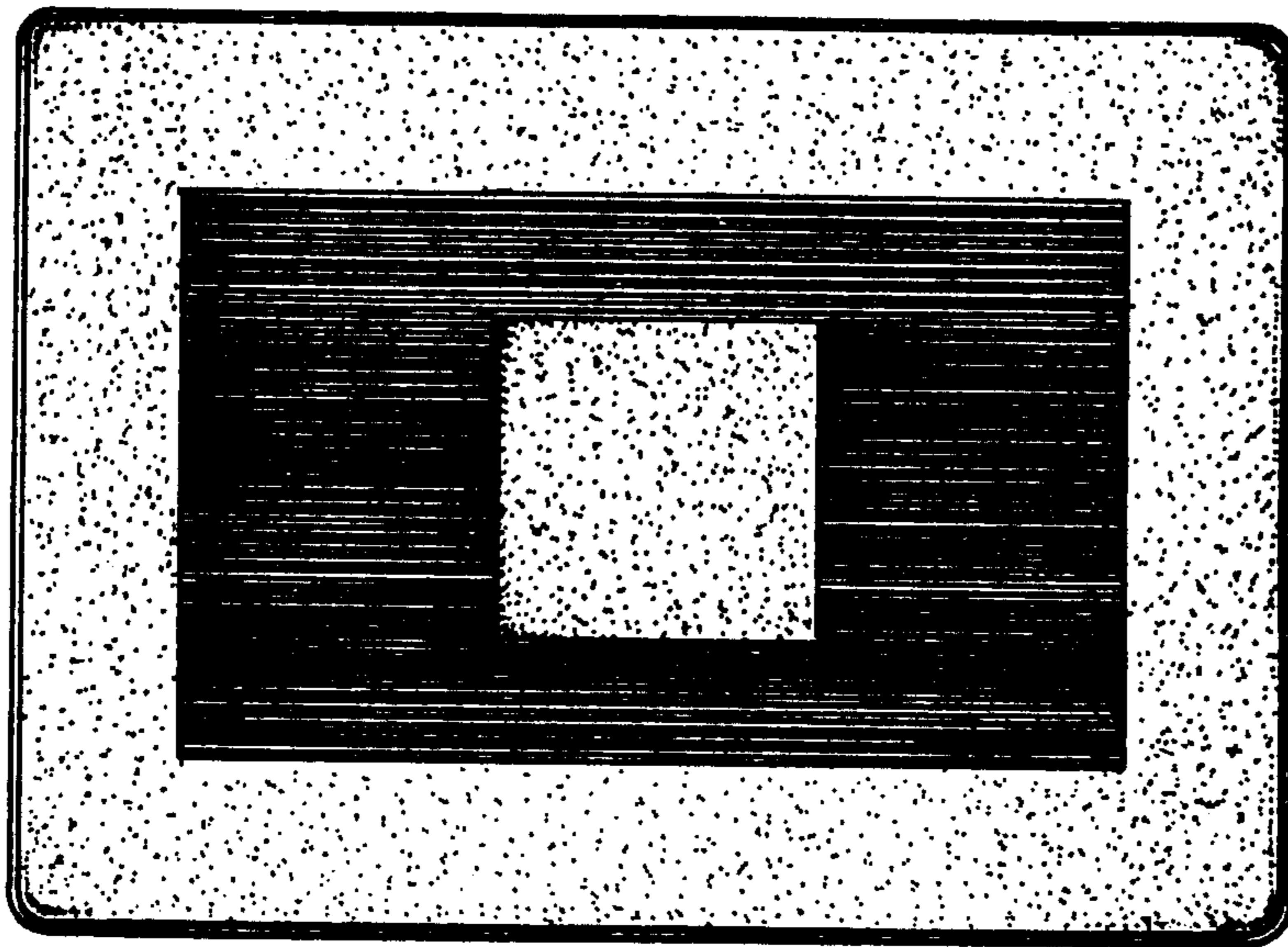


FIG. 4

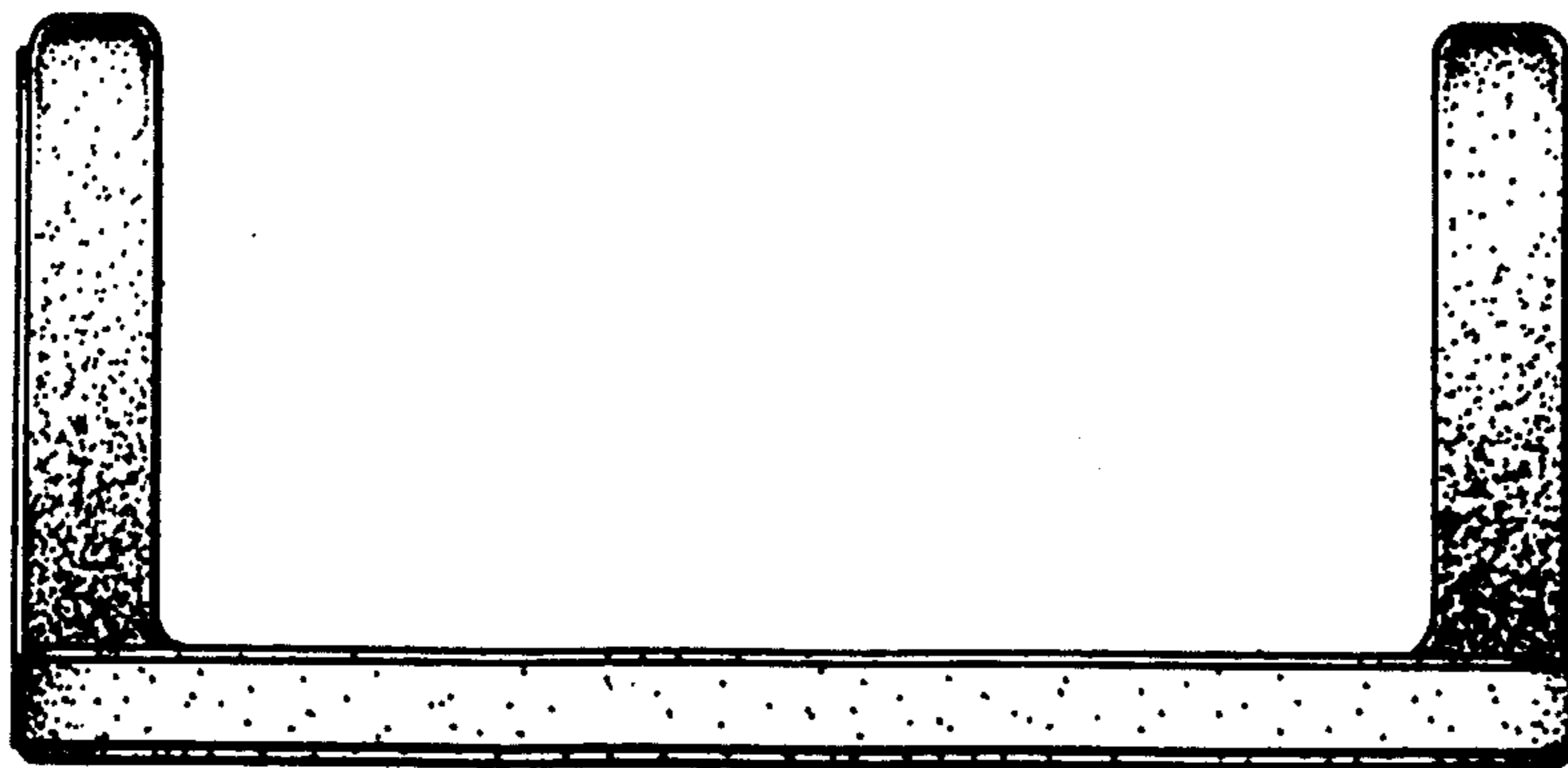


FIG. 5