

[54] PORTABLE HAND WEAVING LOOM

[75] Inventor: P. Lynn Davis, Monte Sereno, Calif.

[73] Assignee: Courtney Davis, Inc., Campbell, Calif.

[\*\*] Term: 14 Years

[21] Appl. No.: 968,564

[22] Filed: Dec. 11, 1978

[51] Int. Cl. .... D15-06

[52] U.S. Cl. .... D3/26; D3/18; 28/151; 139/34

[58] Field of Search ..... D3/18, 26; D15/66; 28/151, 152; 139/34; D6/242

[56] References Cited

U.S. PATENT DOCUMENTS

679,132	7/1901	Todd .....	139/34
697,745	4/1902	Painter .....	28/151
2,663,066	12/1953	Berger et al. ....	D3/26

Primary Examiner—Joel Stearman  
Assistant Examiner—Carmen H. Vales

Attorney, Agent, or Firm—C. Michael Zimmerman

[57] CLAIM

The ornamental design for a portable hand weaving loom, as shown and described.

DESCRIPTION

FIG. 1 is an top perspective view of a portable hand weaving loom, showing my new design; FIG. 2 is an enlarged front elevational view thereof; the rear elevational view being a mirror image thereof; FIG. 3 is a fragmentary sectional view taken along lines 3—3 of FIG. 2; FIG. 4 is an enlarged end elevational view thereof; the opposite end being a mirror image thereof; FIG. 5 is a top plan view thereof; FIG. 6 is a bottom plan view thereof; FIG. 7 is an enlarged front elevational view of a second embodiment of a portable hand weaving loom showing my new design; the rear elevational view being a mirror image thereof; and FIG. 8 is a fragmentary sectional view taken along lines 8—8 of FIG. 7. The end, top and bottom views of the second embodiment are identical to FIGS. 4, 5 and 6 respectively.

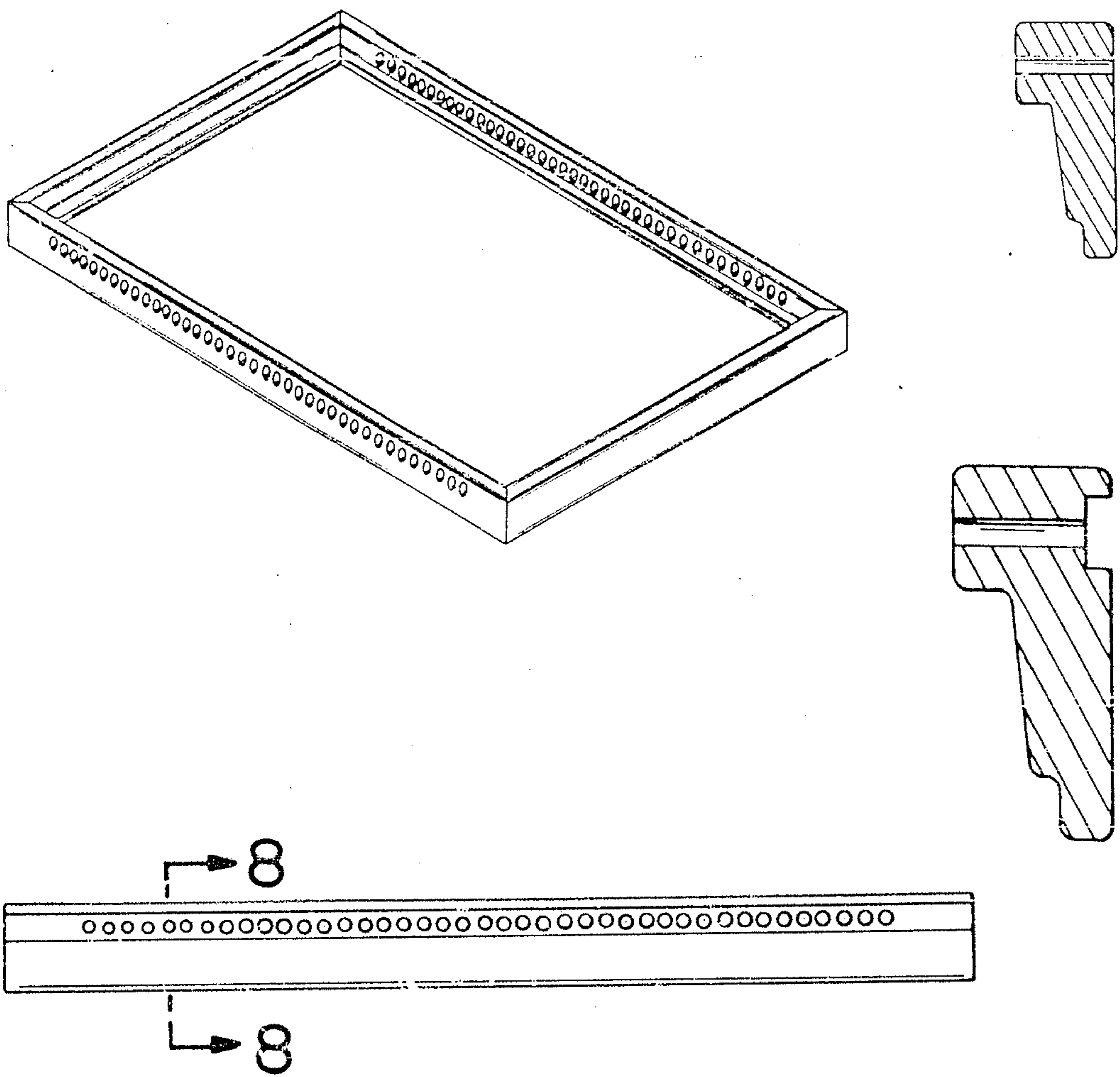


FIG. 1

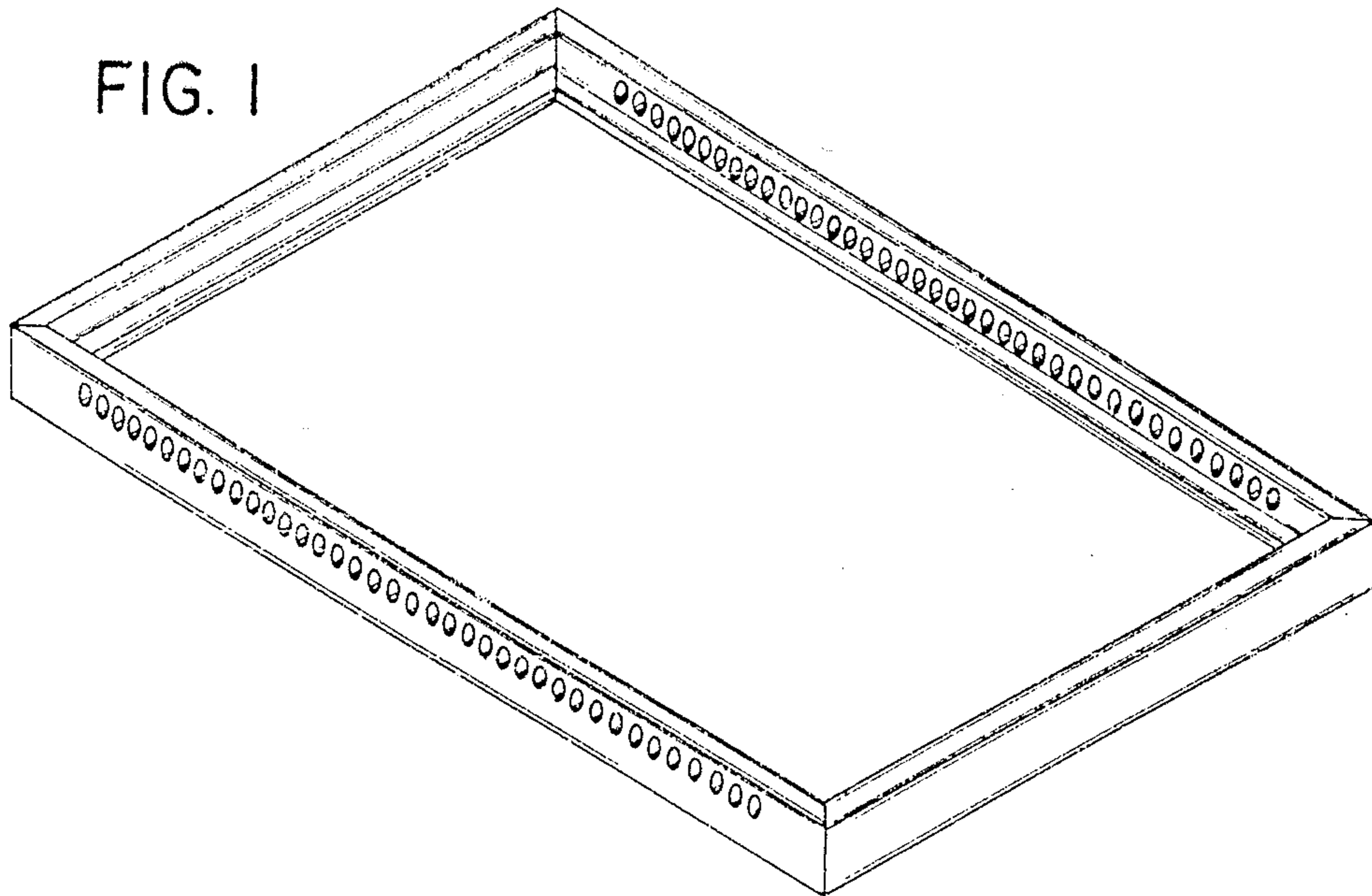


FIG. 2

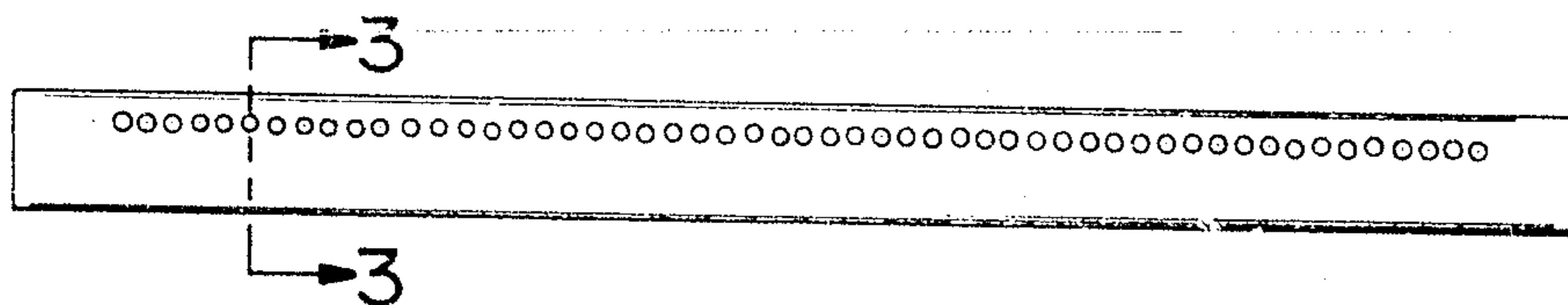


FIG. 3

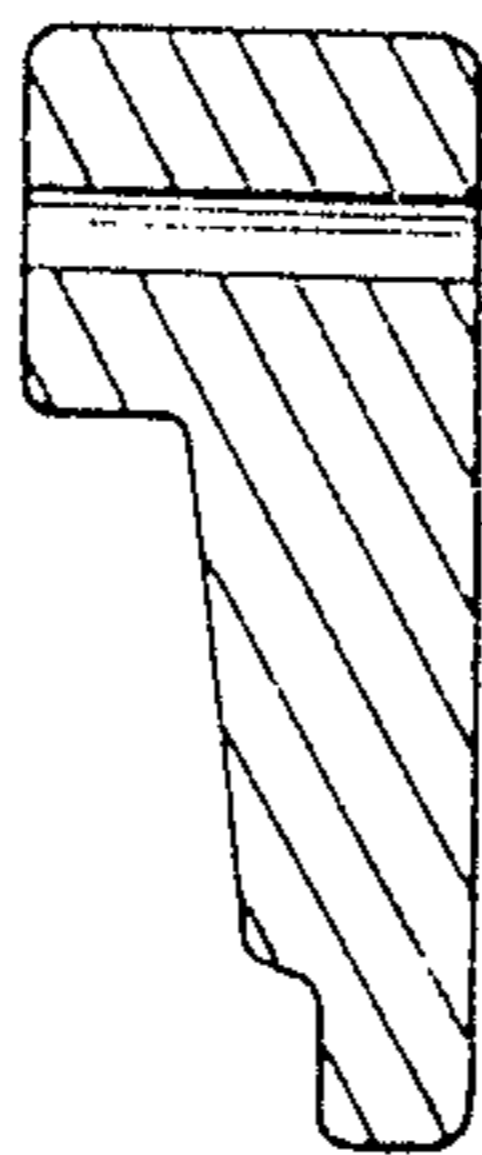


FIG. 4

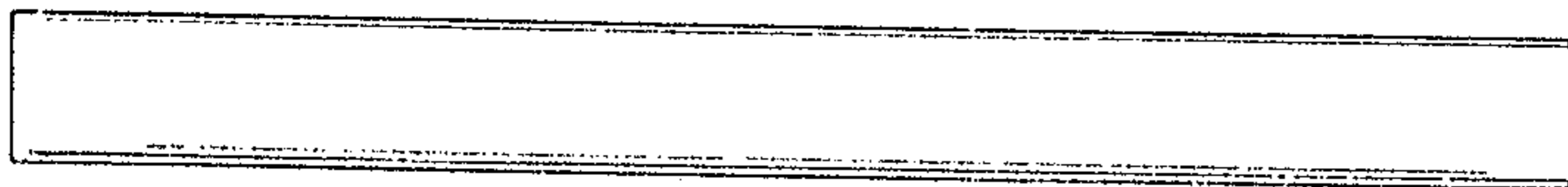


FIG. 5

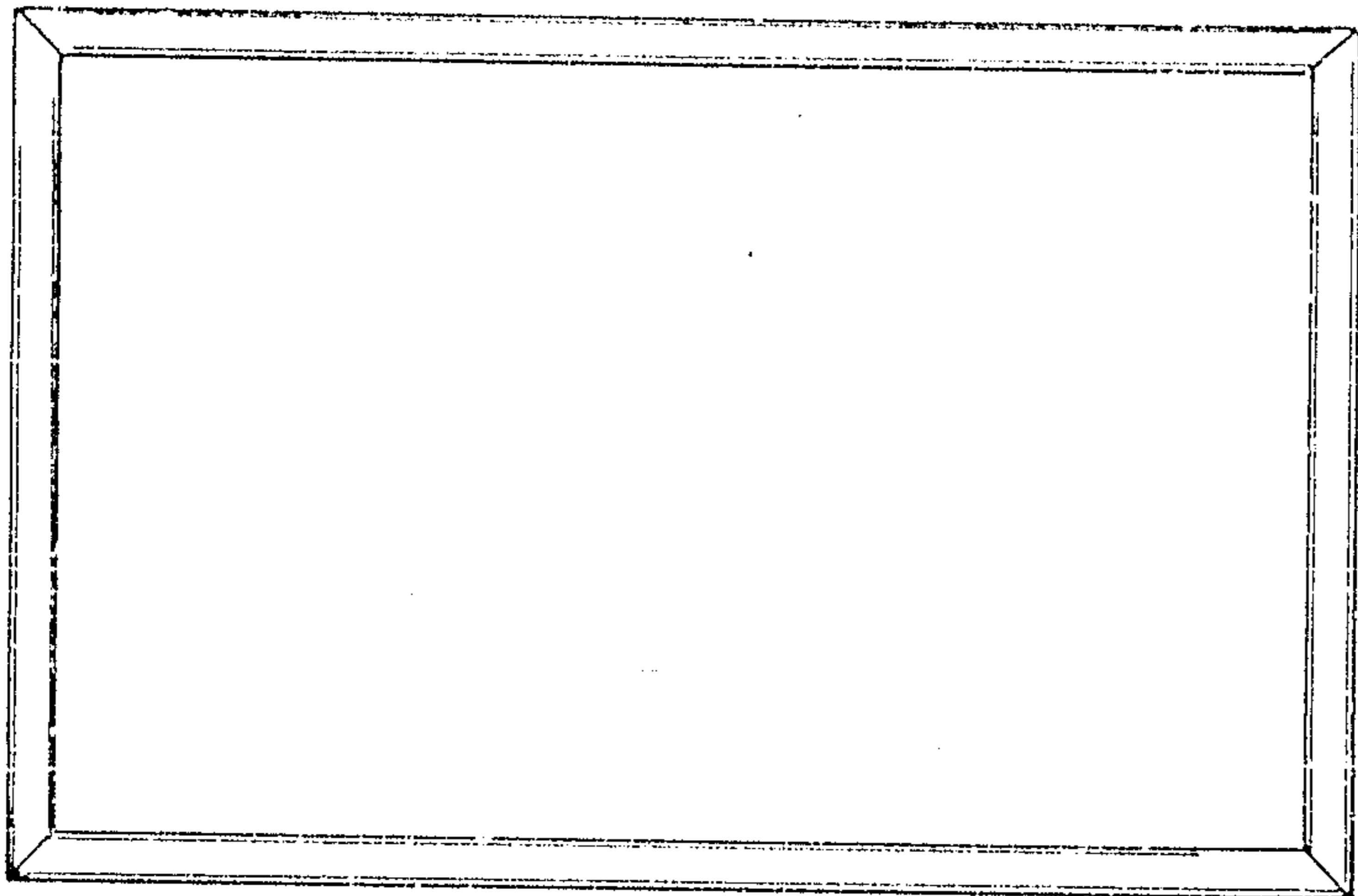


FIG. 6

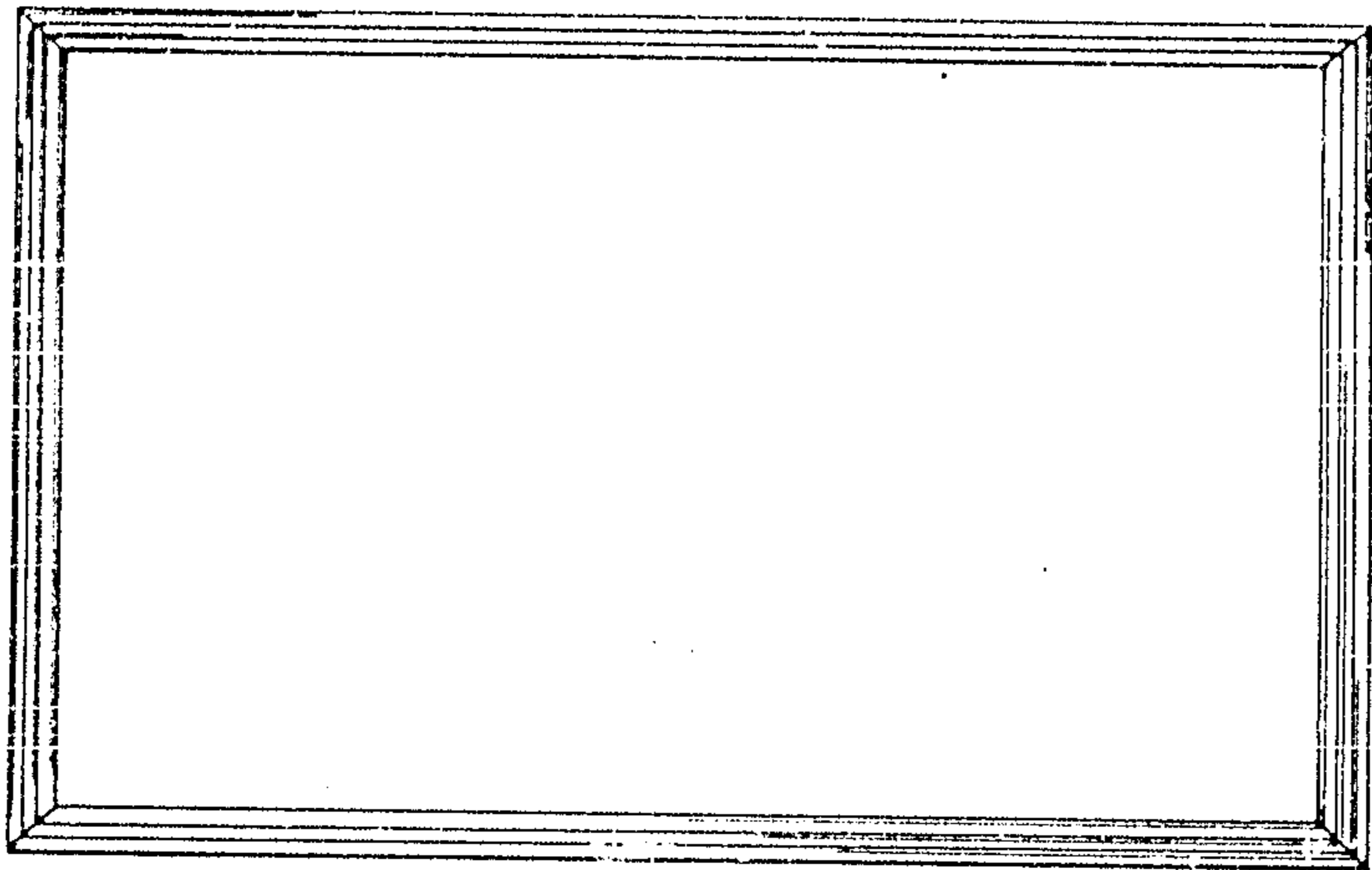


FIG. 7

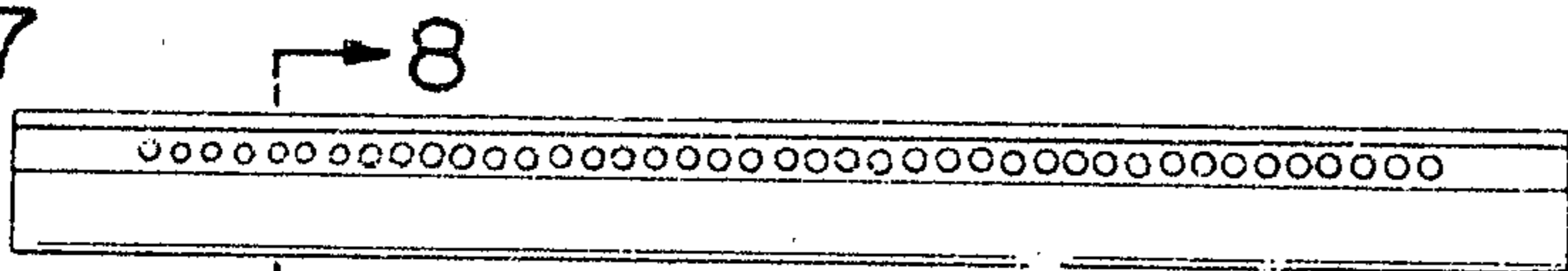


FIG. 8

