

[54] STOCKING HOLDER FOR THE HANDICAPPED OR SIMILAR ARTICLE

[76] Inventor: Richard Vreeken, 1276 Metz Rd., Perris, Calif. 92370

[\*\*] Term: 14 Years

[21] Appl. No.: 5,383

[22] Filed: Jan. 22, 1979

[51] Int. Cl. .... D2-07

[52] U.S. Cl. .... D2/378; D3/9; 223/112

[58] Field of Search .... D2/378, 378.2; 223/111-119; D3/7, 9; 135/65, 67, DIG. 11

[56] References Cited

U.S. PATENT DOCUMENTS

4,027,687 6/1977 McGowan ..... 135/67

FOREIGN PATENT DOCUMENTS

1265155 5/1961 France ..... 223/114  
343094 1/1960 Switzerland ..... 223/111

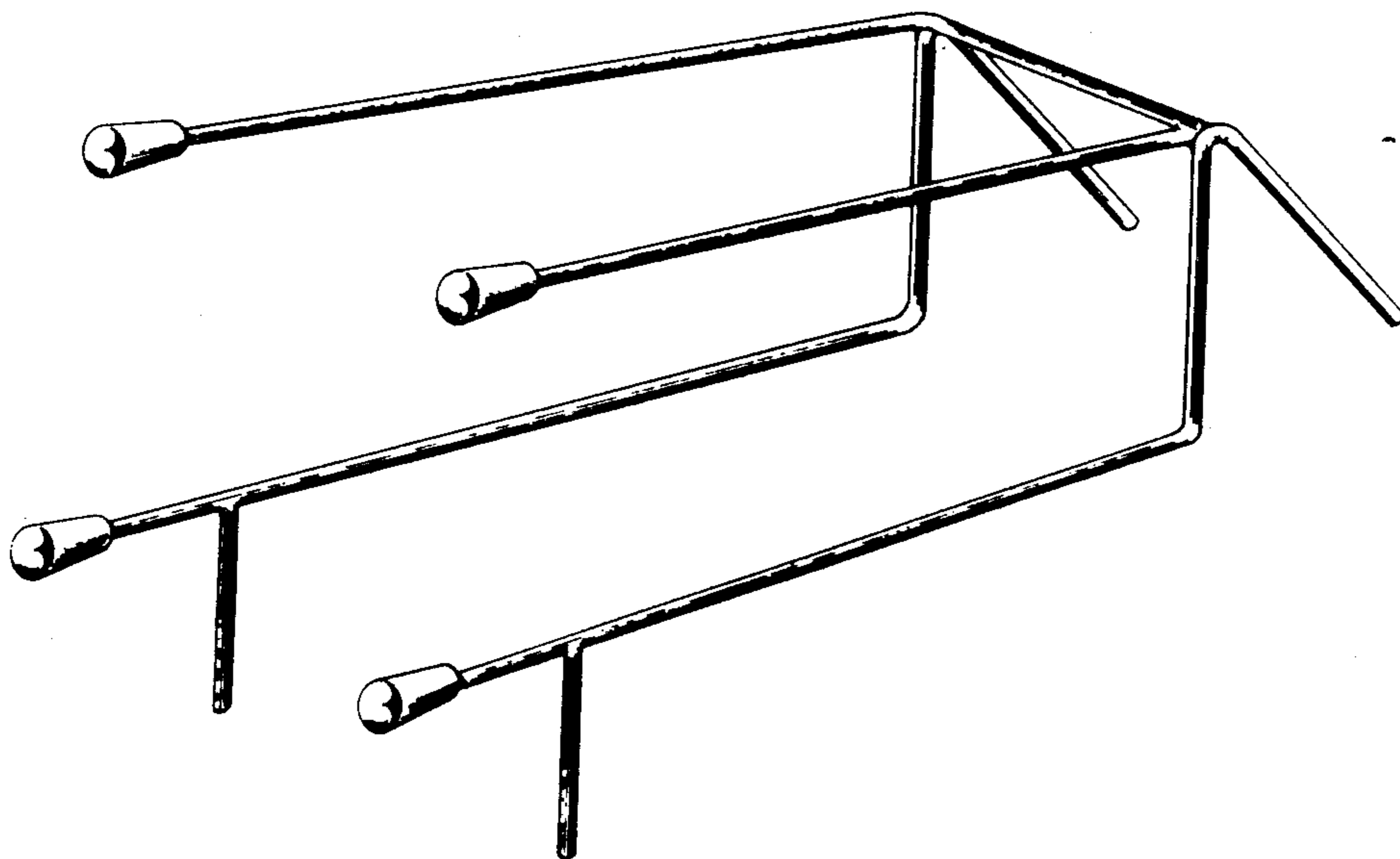
Primary Examiner—George G. Stellar  
Attorney, Agent, or Firm—John H. Crowe

[57] CLAIM

The ornamental design for a stocking holder for the handicapped or similar article, substantially as shown and described.

DESCRIPTION

FIG. 1 is a perspective view of a stocking holder for the handicapped or similar article showing my new design. FIG. 2 is a top view thereof, drawn to a reduced scale. FIG. 3 is a side elevational view thereof drawn to a reduced scale, the opposite side elevational view being a mirror image thereof. FIG. 4 is a bottom view thereof, drawn to a reduced scale.



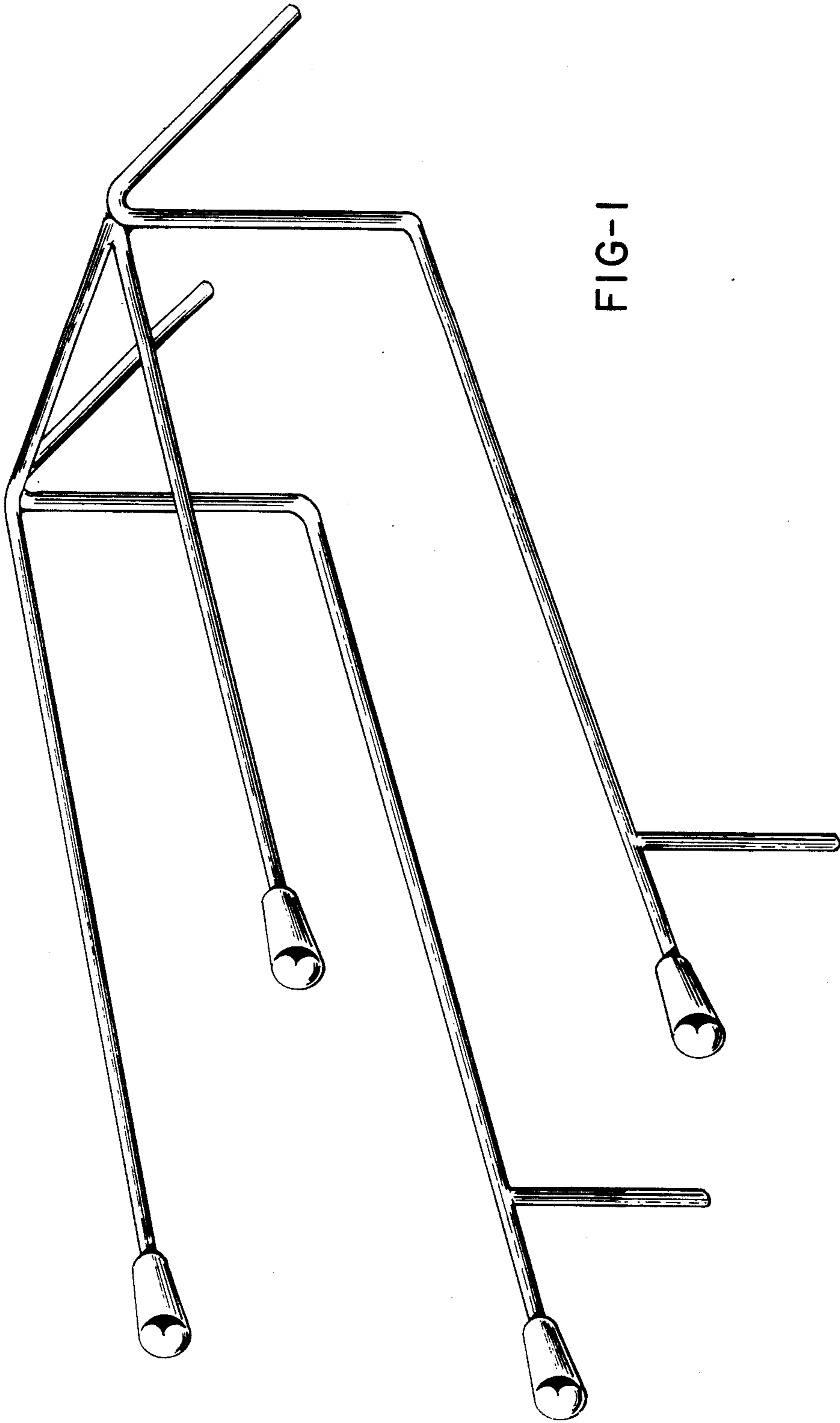


FIG-1

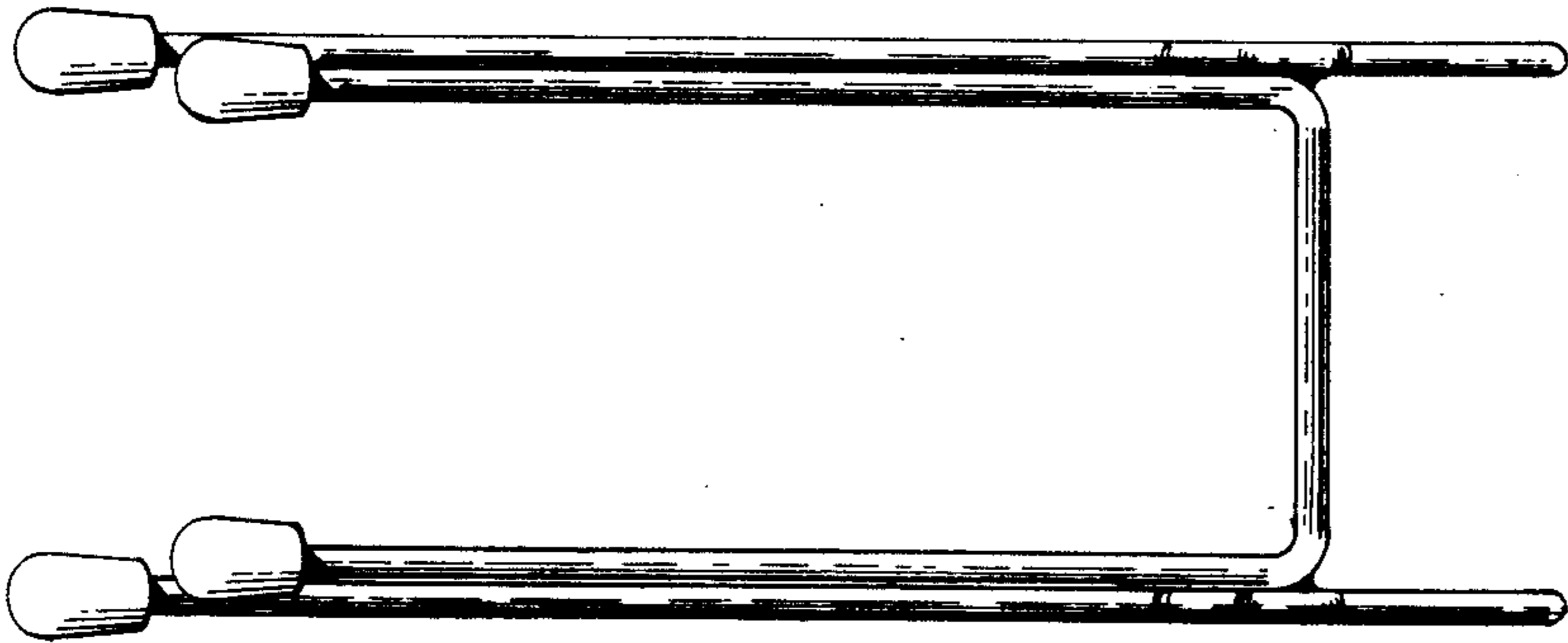


FIG-2

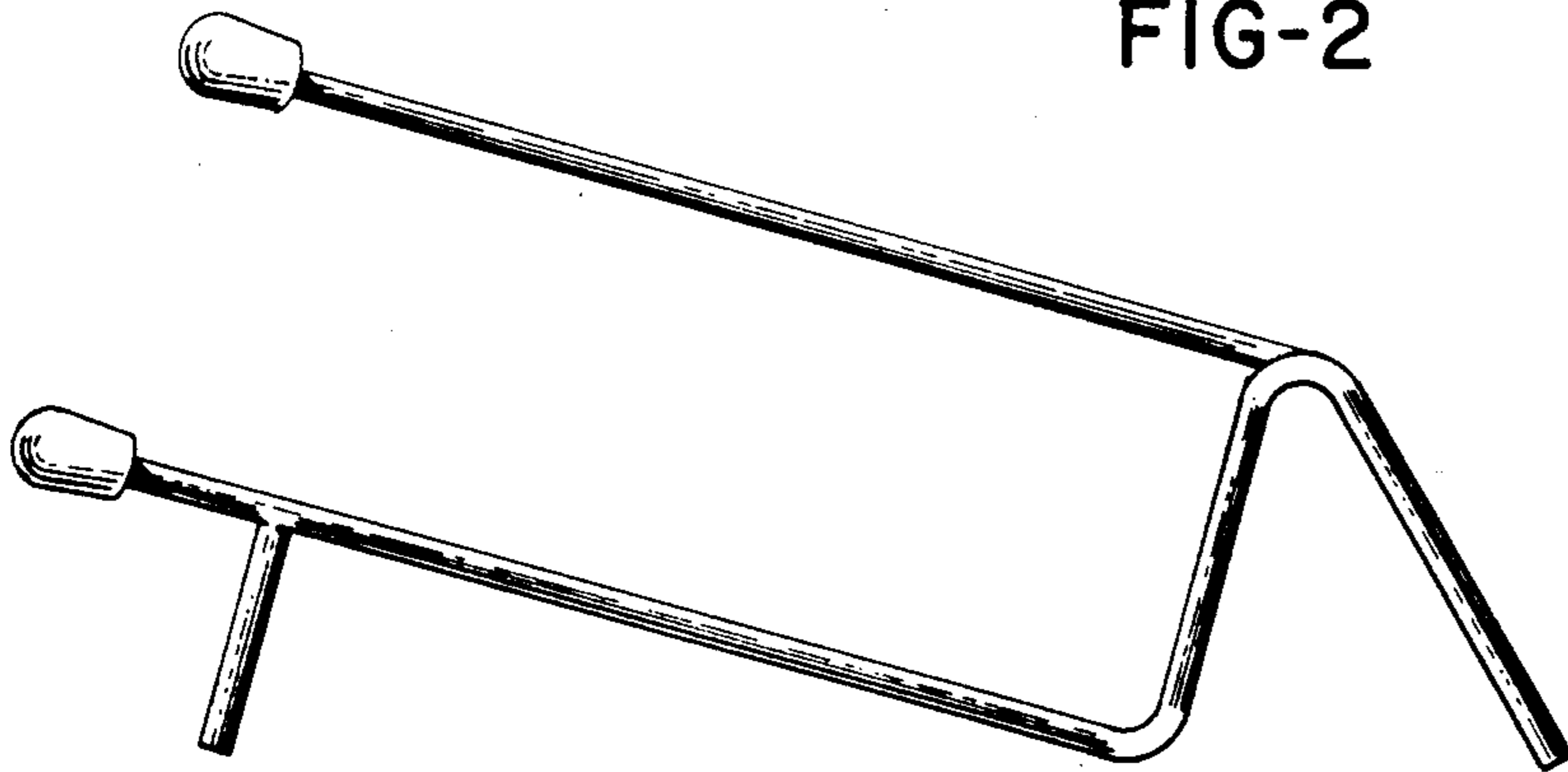


FIG-3

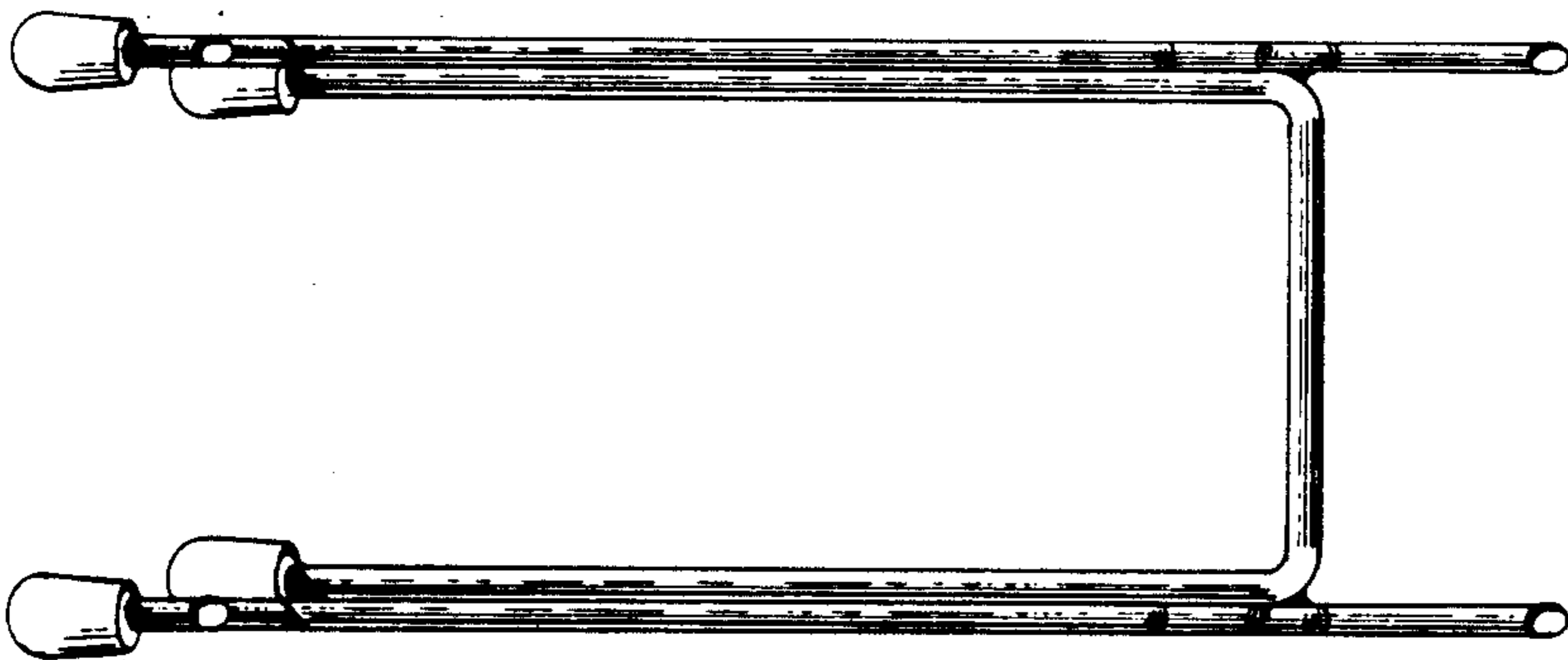


FIG-4