

[54] EYESHIELD FOR CHEMICAL TREATMENT OF HAIR

[76] Inventor: Vera Briggs, P.O. Box 8915, Dallas, Tex. 75216

[**] Term: 14 Years

[21] Appl. No.: 888,683

[22] Filed: Mar. 20, 1978

[51] Int. Cl. D02-03

[52] U.S. Cl. D2/234

[58] Field of Search D2/234, 230, 233; D16/65, 66; 2/15, 426, 427, 428, 429, 430; 351/41, 44, 62, 78, 83, 111

[56] References Cited

U.S. PATENT DOCUMENTS

D. 242,666	12/1976	Smith	D2/234
3,133,982	5/1964	Janz	351/62
3,419,909	1/1969	Spain	D2/234
3,492,062	1/1970	Hoover	D2/234

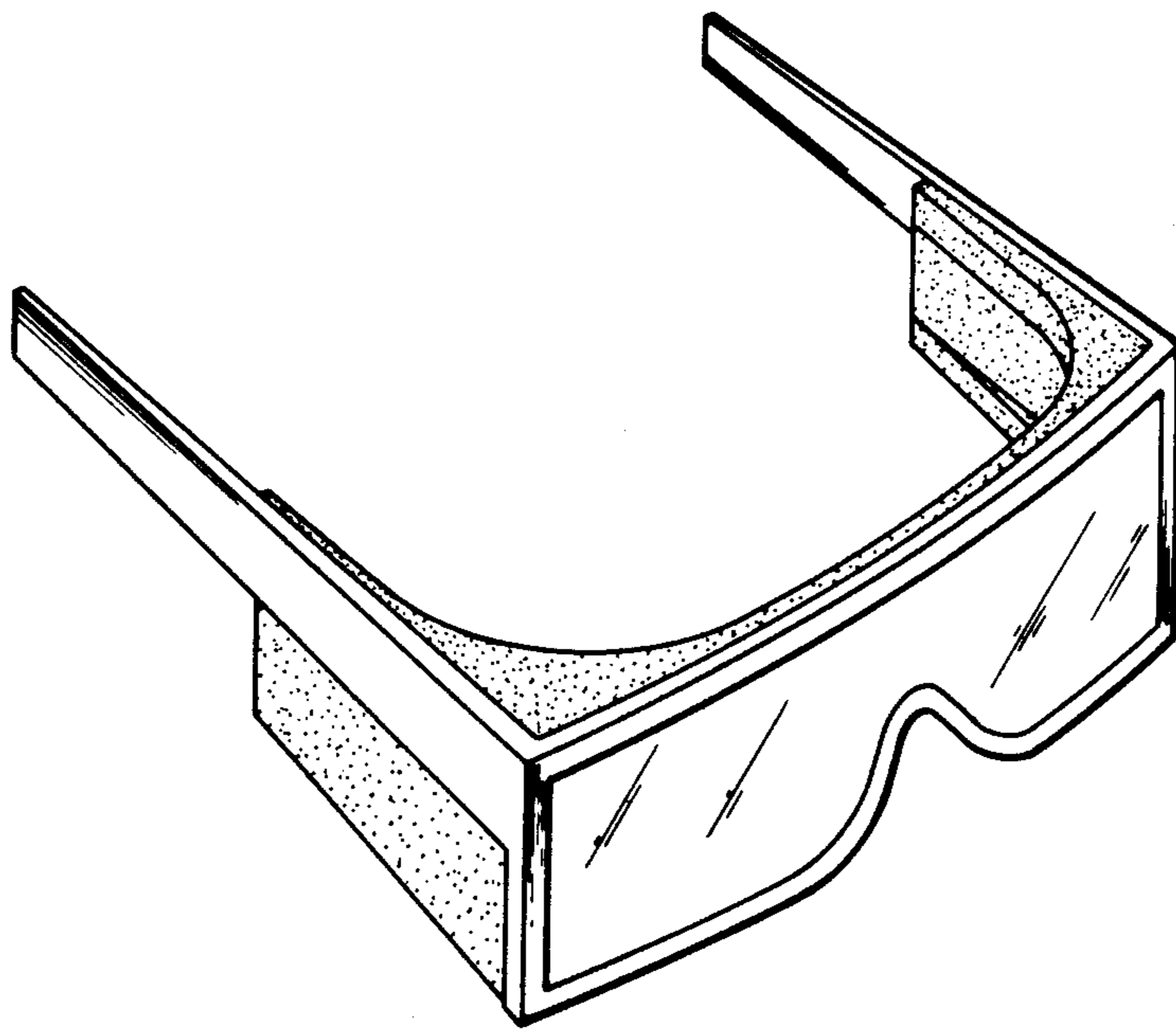
Primary Examiner—Joel Stearman
Assistant Examiner—Carmen H. Vales
Attorney, Agent, or Firm—Richards, Harris & Medlock

[57] CLAIM

The ornamental design for an eyeshield for chemical treatment of hair, as shown and described.

DESCRIPTION

FIG. 1 is a front perspective view of an eyeshield for chemical treatment of hair showing my new design; FIG. 2 is a rear elevational view thereof; and FIG. 3 is a side elevational view thereof.



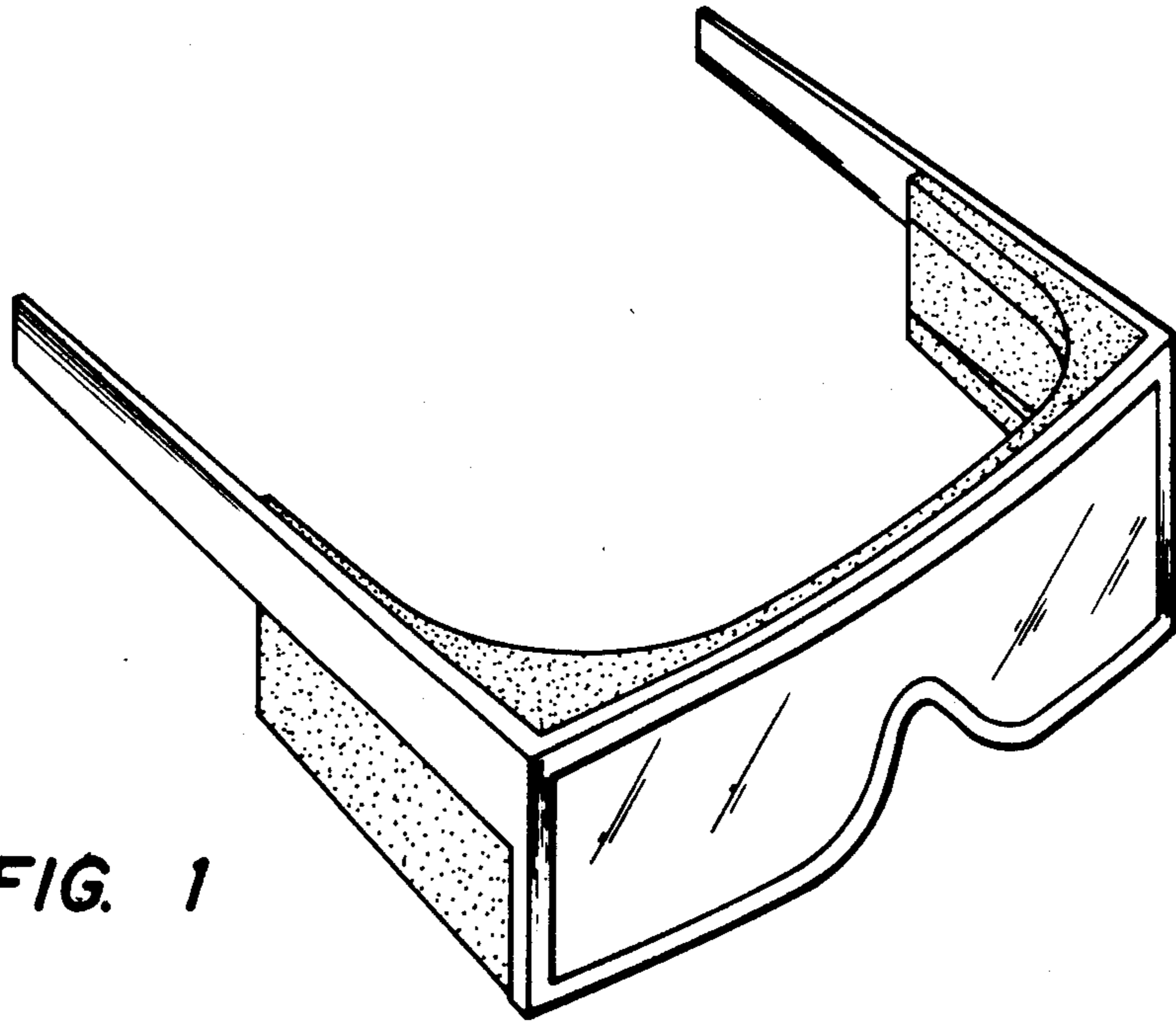


FIG. 1

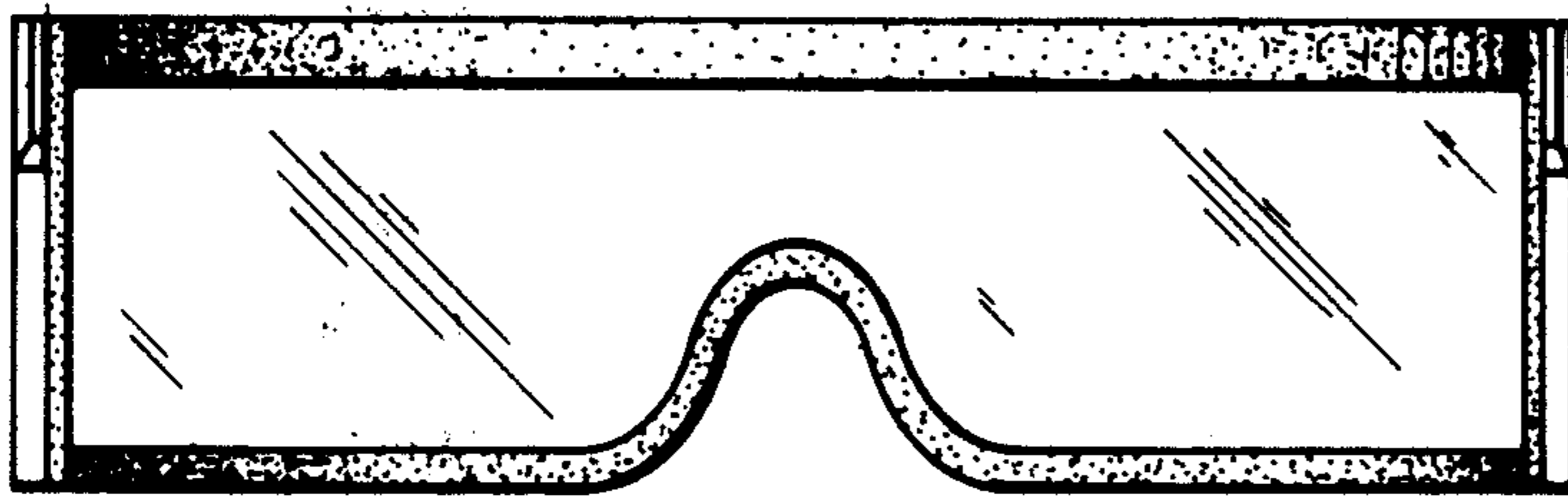


FIG. 2

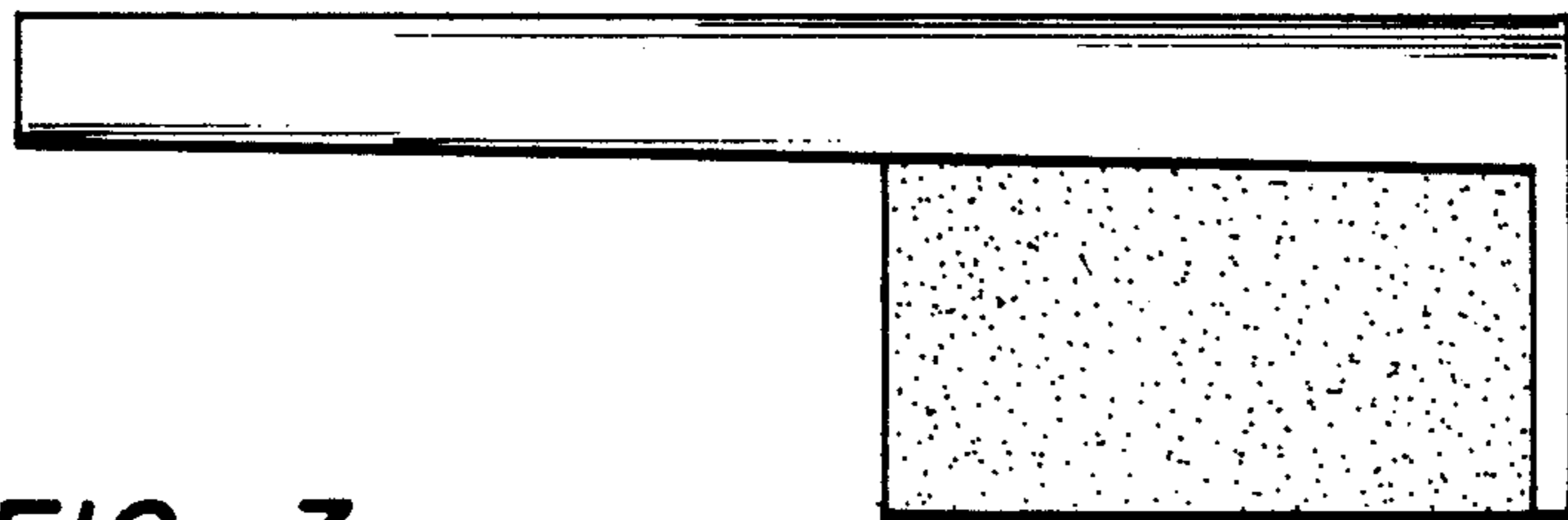


FIG. 3