

[54] **INTERLOCKING FLUME PLATFORM
PANEL FOR ANIMAL CONFINEMENT
PENS**

3,228,376	1/1966	Conover	119/28
3,859,962	1/1975	Kissinger, Jr.	119/28
3,982,499	9/1976	Frankl	119/28
4,048,960	9/1977	Barnidge et al.	119/28

[76] Inventor: **Richard E. Bunger**, 5202 E. Washington St., Phoenix, Ariz. 85034

Primary Examiner—James R. Largen
Attorney, Agent, or Firm—Warren F. B. Lindsley

[**] Term: **14 Years**

[57] **CLAIM**

[21] Appl. No.: **64,853**

The ornamental design for an interlocking platform panel for animal confinement pens, as shown and described.

[22] Filed: **Aug. 8, 1979**

DESCRIPTION

[51] Int. Cl. **D30—02**

FIG. 1 is a fragmentary perspective view taken from the top, left side and one end of a interlocking flume platform panel for animal confinement pens embodying my new design;

[52] U.S. Cl. **D30/2**

FIG. 2 is a fragmentary perspective view taken from the bottom, left side and end opposite that shown in FIG. 1;

[58] Field of Search **D30/1, 2; D25/74, 75, D25/76, 80, 92, 97; 119/28**

FIG. 3 is a right side elevational view thereof;

[56] **References Cited**

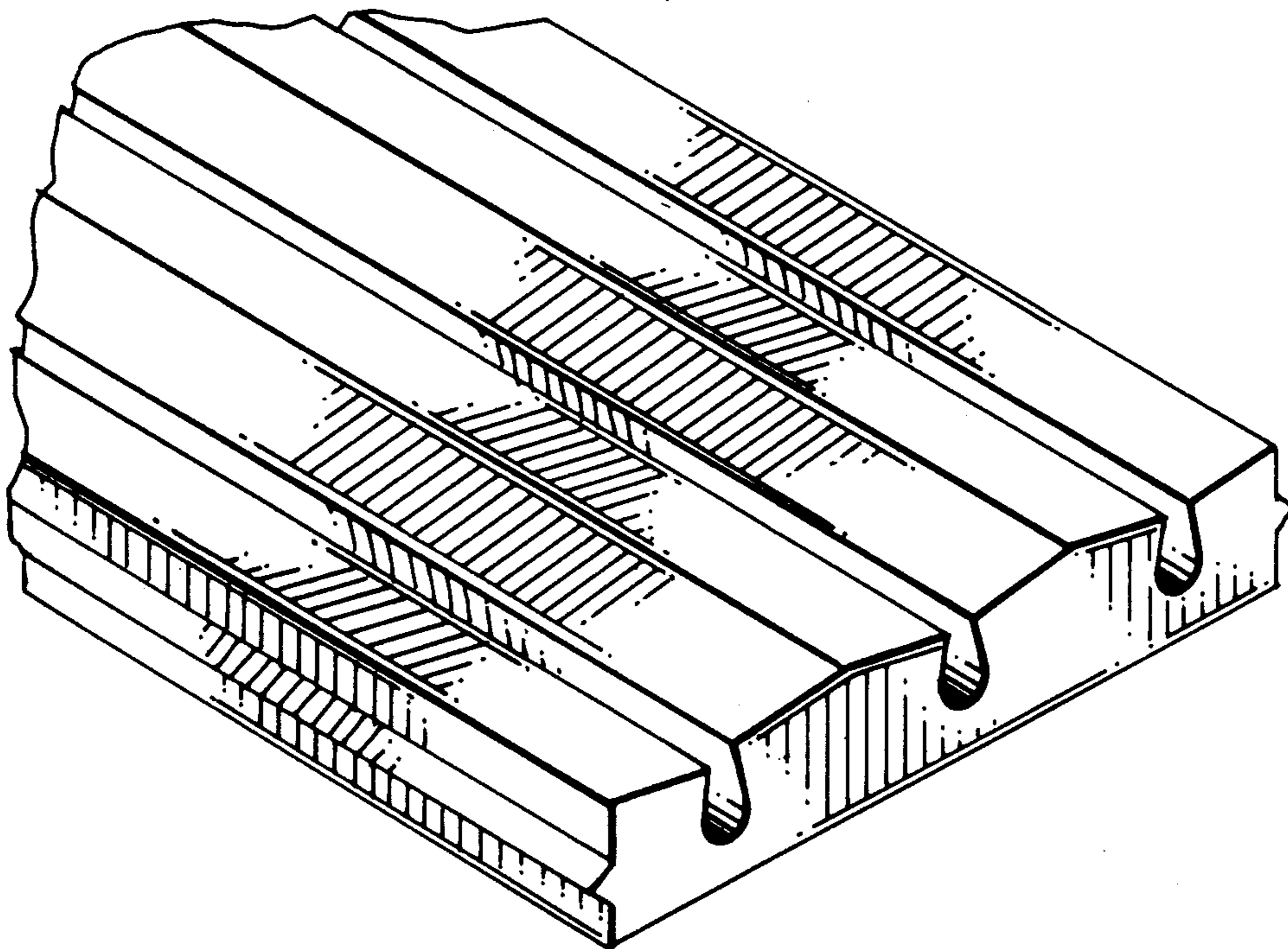
U.S. PATENT DOCUMENTS

D. 26,443	12/1896	Fiske	D30/2
D. 253,249	10/1979	Limmergard et al.	D25/92
D. 253,250	10/1979	Limmergard et al.	D25/92
458,788	9/1891	Jungbluth	119/28
469,044	2/1892	Jungbluth	119/28
3,224,414	12/1965	Conover	119/28

FIG. 4 is a top plan view thereof; and

FIG. 5 is an elevational view of the end shown in FIG. 1.

The flume platform panel has been broken away in FIGS. 1 through 4 to indicate indeterminate length.



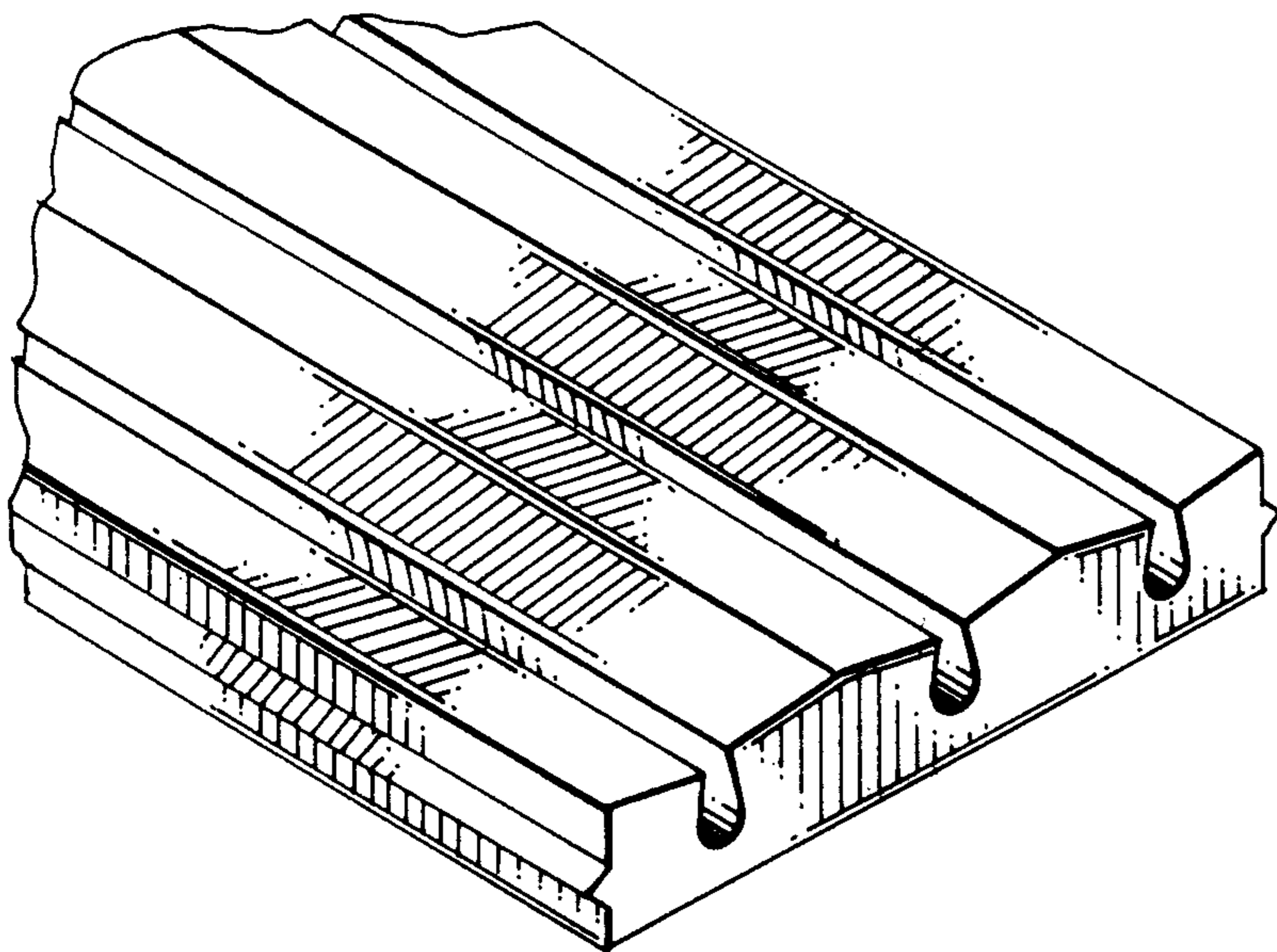


FIG. 1



FIG. 3

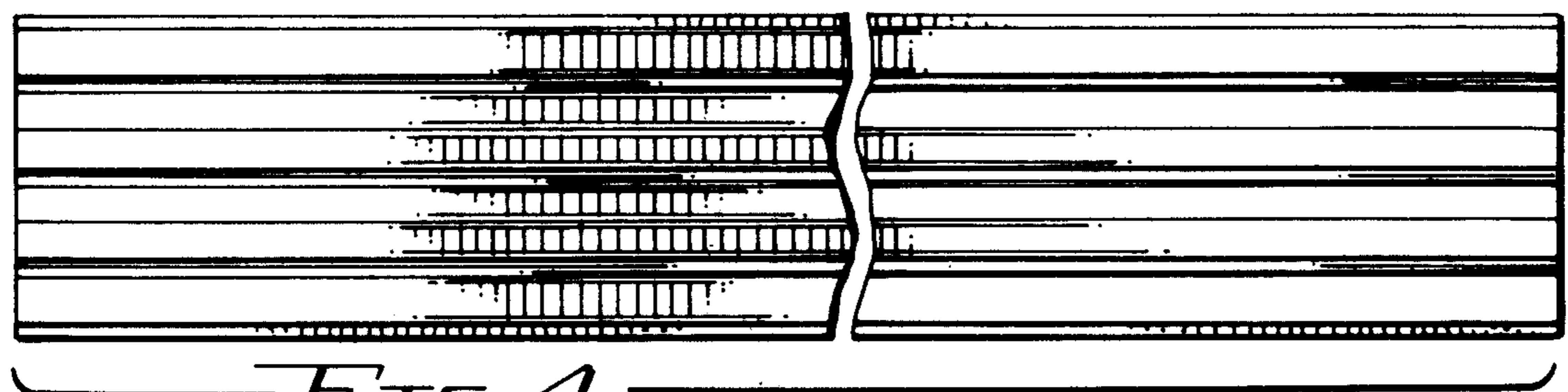


FIG. 4

FIG. 2

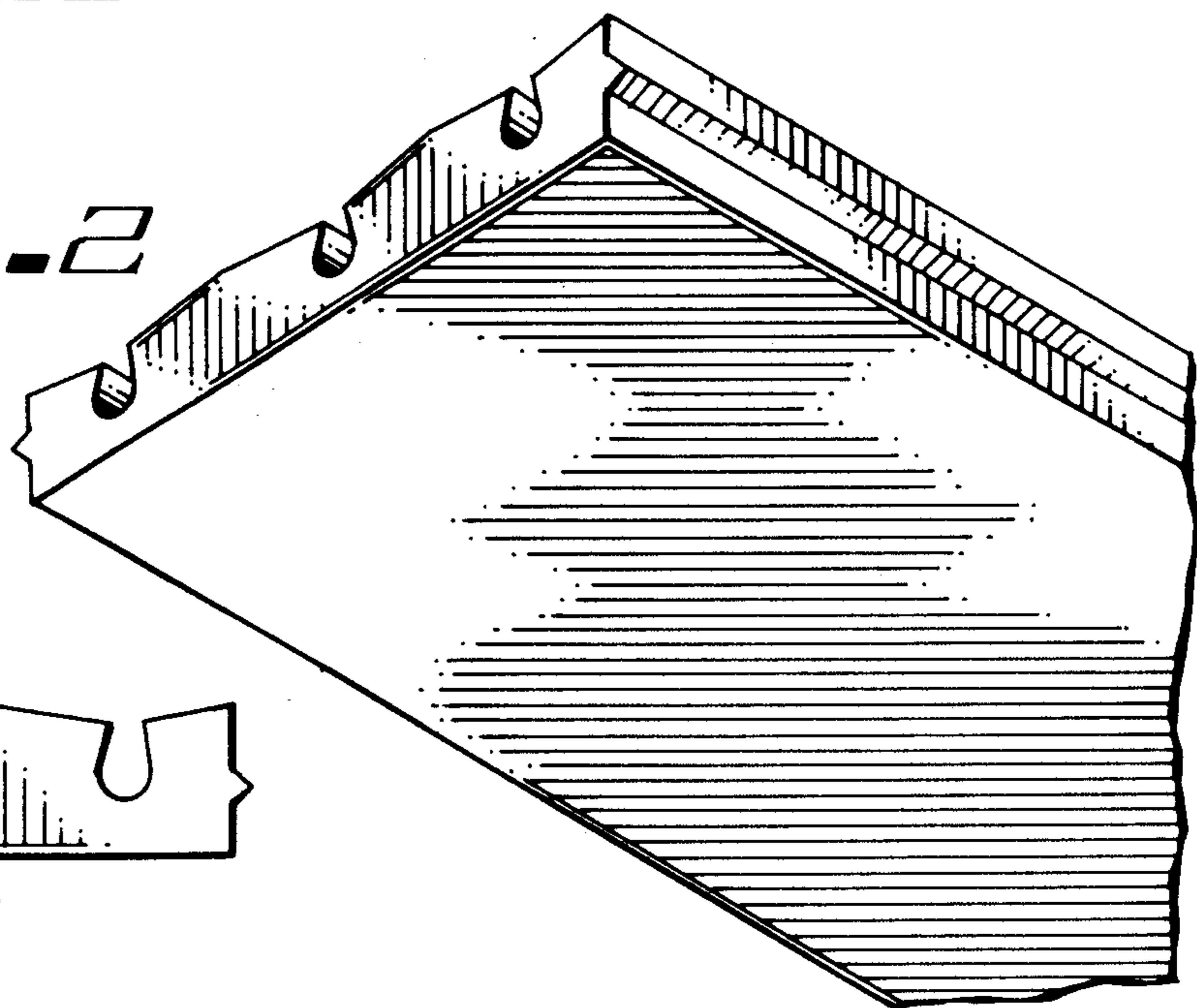


FIG. 5