

[54] SHELTER

[76] Inventors: John R. Howey, 308 N. Tampa St., Tampa, Fla. 33602; J. Carl Abbott, Jr., 1218 1st St., Sarasota, Fla. 33577

[\*\*] Term: 14 Years

[21] Appl. No.: 918,517

[22] Filed: Jun. 23, 1978

[51] Int. Cl. .... D25-99

[52] U.S. Cl. .... D25/18; D6/59; D25/56

[58] Field of Search ..... D25/56, 34, 18, 1, 16; D6/59; 52/73; 242/85.1

[56] References Cited

U.S. PATENT DOCUMENTS

- D. 200,851 4/1965 Wise ..... D25/56 X
- D. 227,662 7/1973 Warsaw et al. .... D25/56 X
- 3,052,290 9/1962 Orloff ..... D25/56 X

FOREIGN PATENT DOCUMENTS

680720 10/1952 United Kingdom ..... 52/73

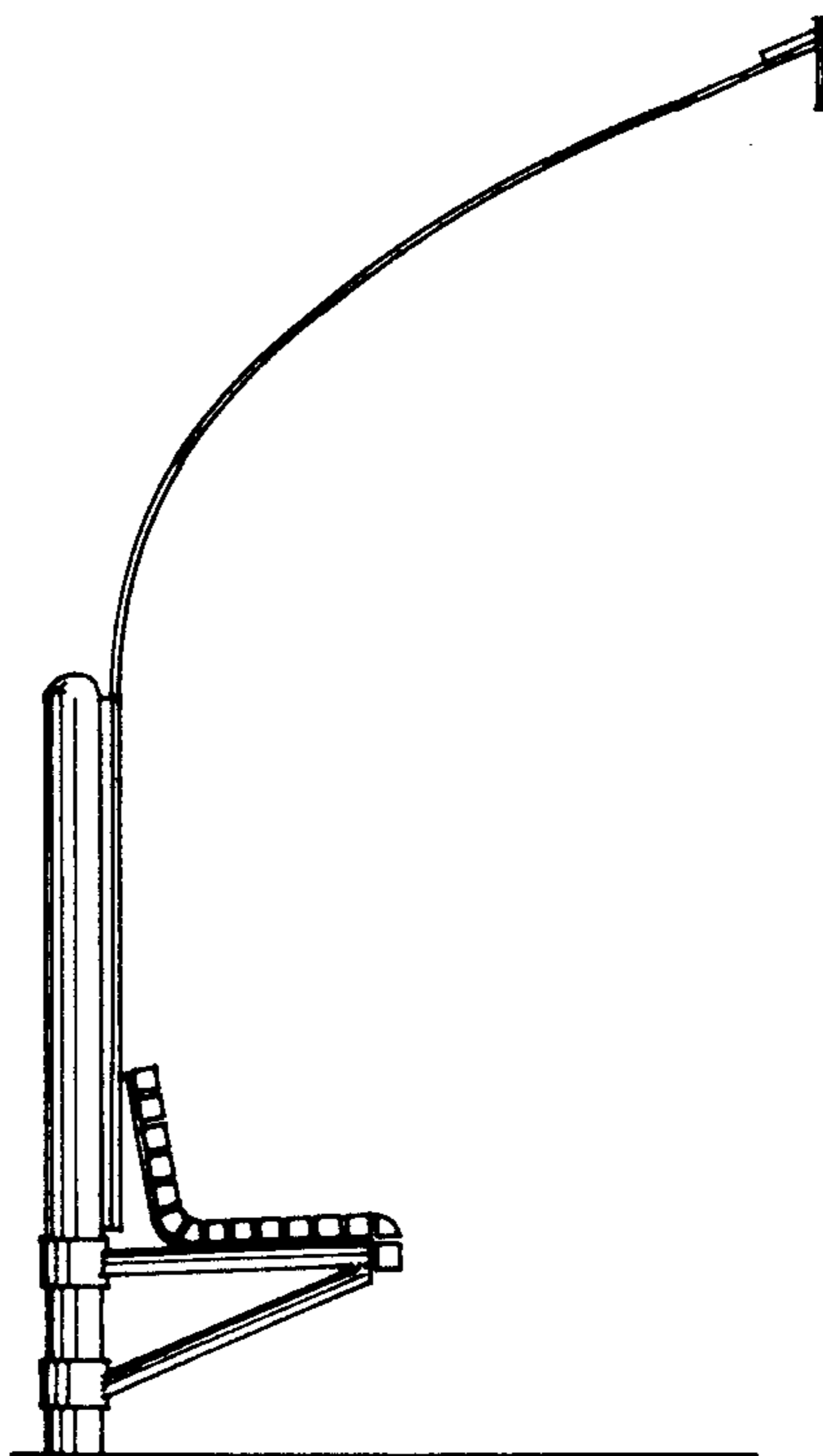
Primary Examiner—A. Hugo Word  
Attorney, Agent, or Firm—Stein & Frijouf

[57] CLAIM

The ornamental design for a shelter, as shown and described.

DESCRIPTION

FIG. 1 is a side elevational view of the new shelter;  
 FIG. 2 is a top elevational view of the shelter shown in FIG. 1;  
 FIG. 3 is a front elevational view of the shelter shown in FIG. 1;  
 FIG. 4 is a rear elevational view of the shelter shown in FIG. 1;  
 FIG. 5 is a top elevational view similar to FIG. 2 of a second embodiment of the invention;  
 FIG. 6 is a top elevational view similar to FIG. 2 of a third embodiment of the invention.



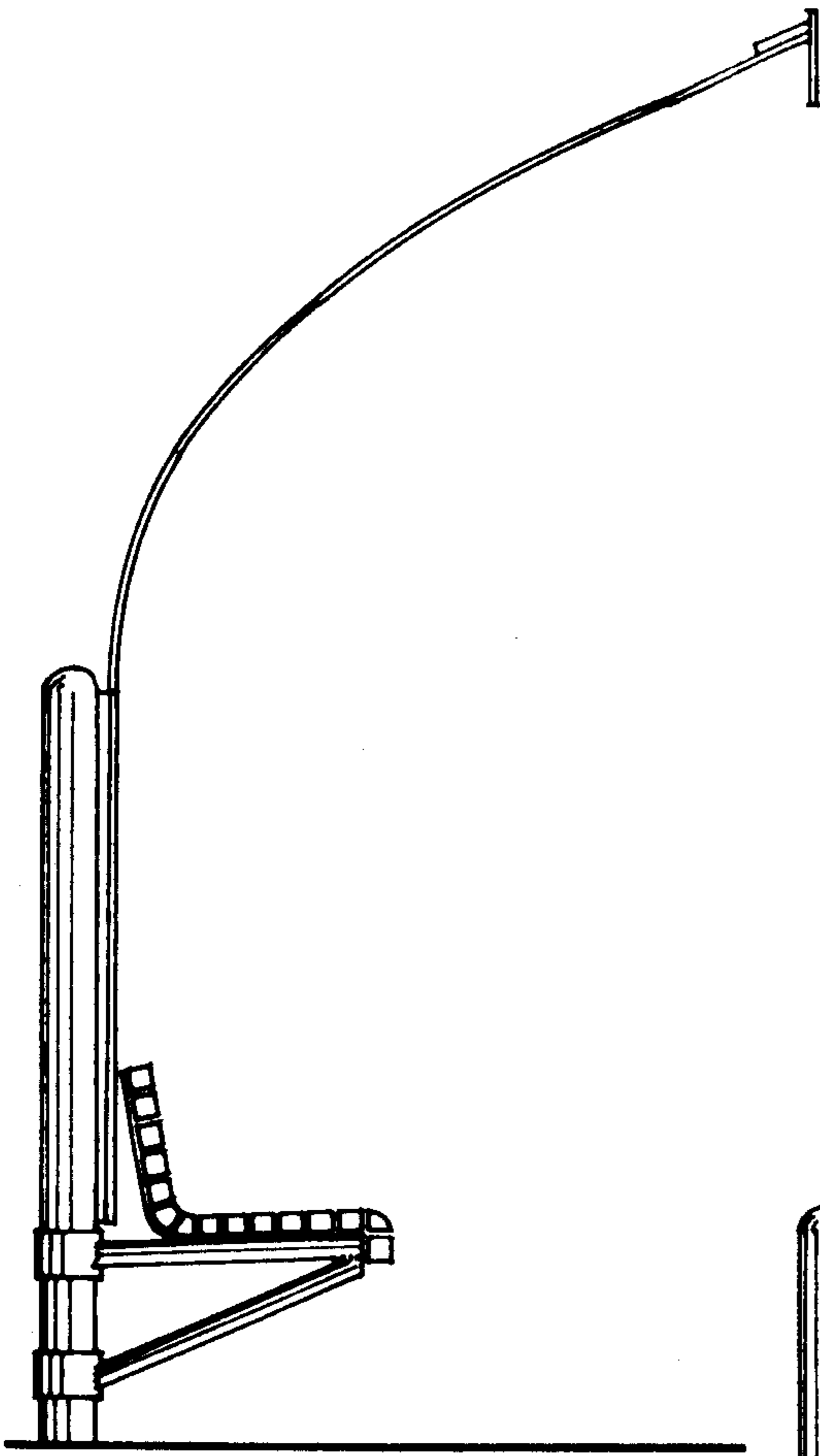


FIG. 1

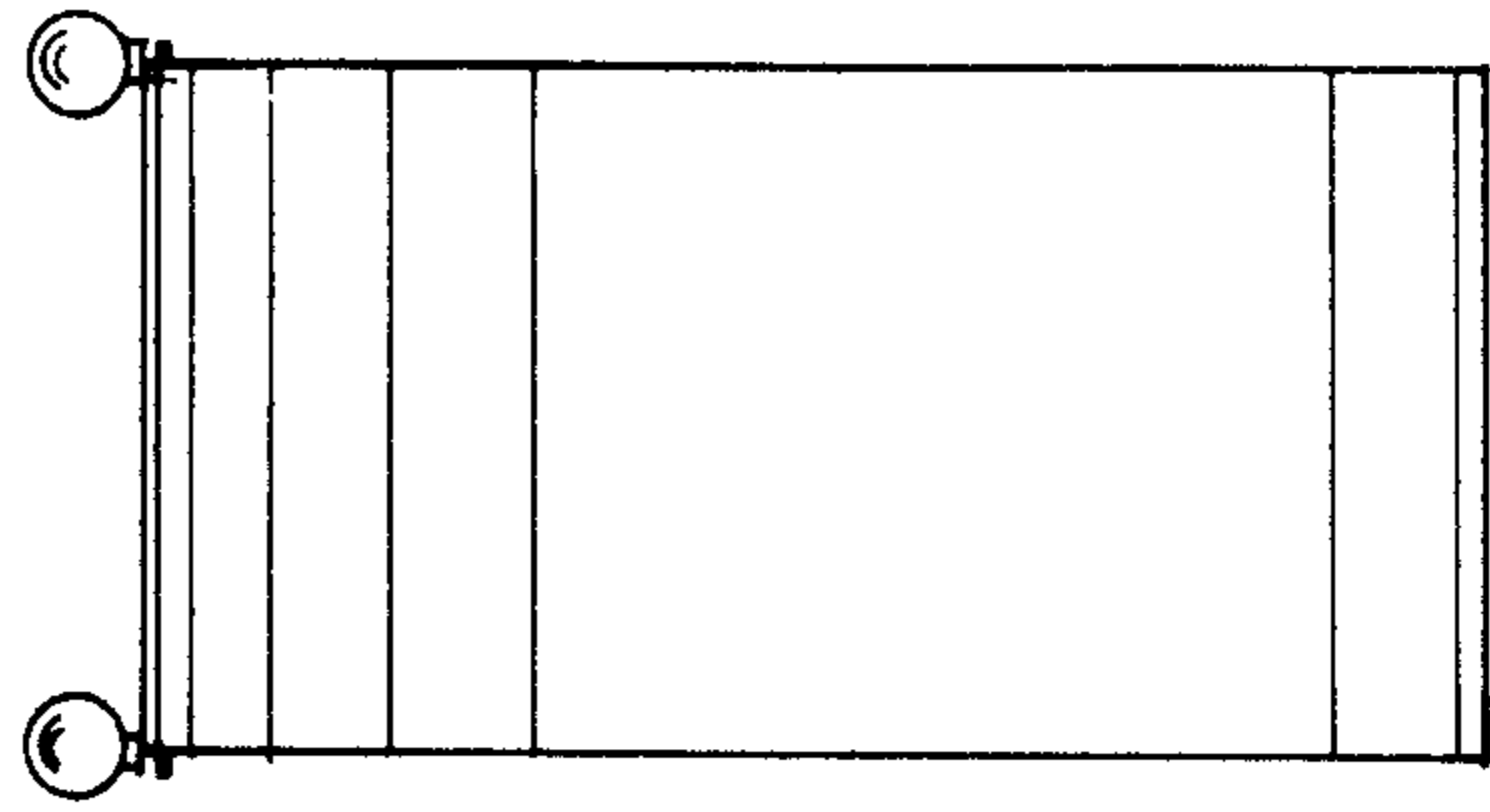


FIG. 2

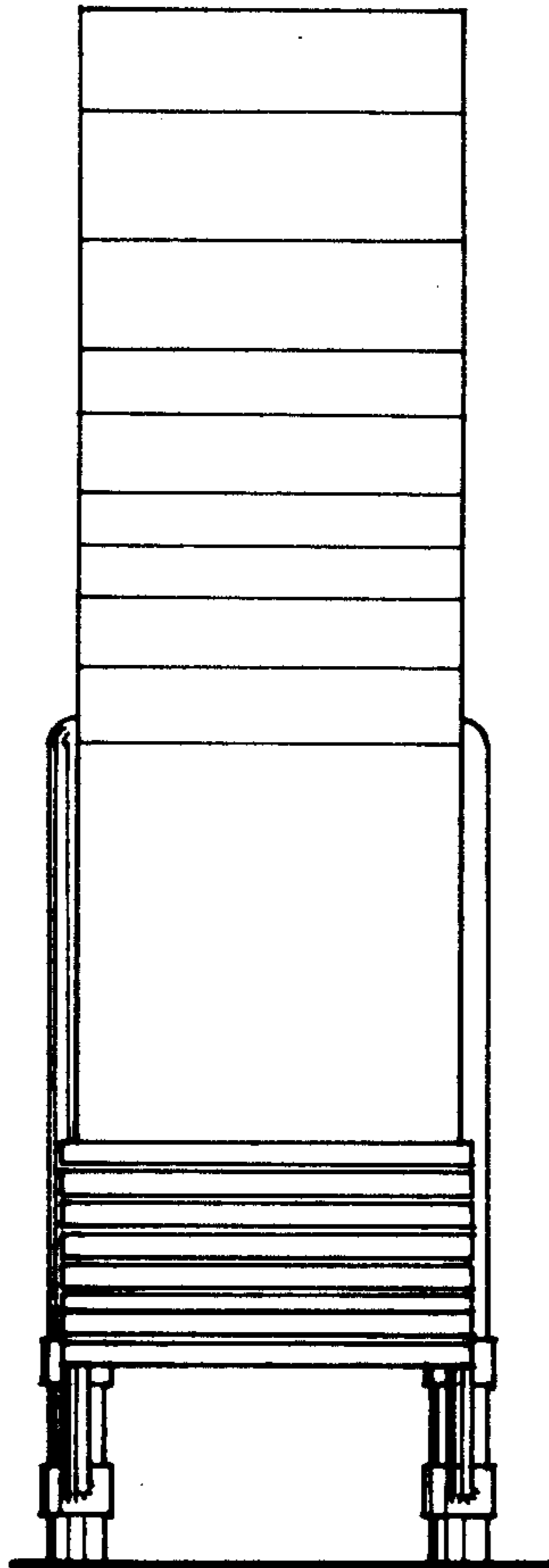


FIG. 3

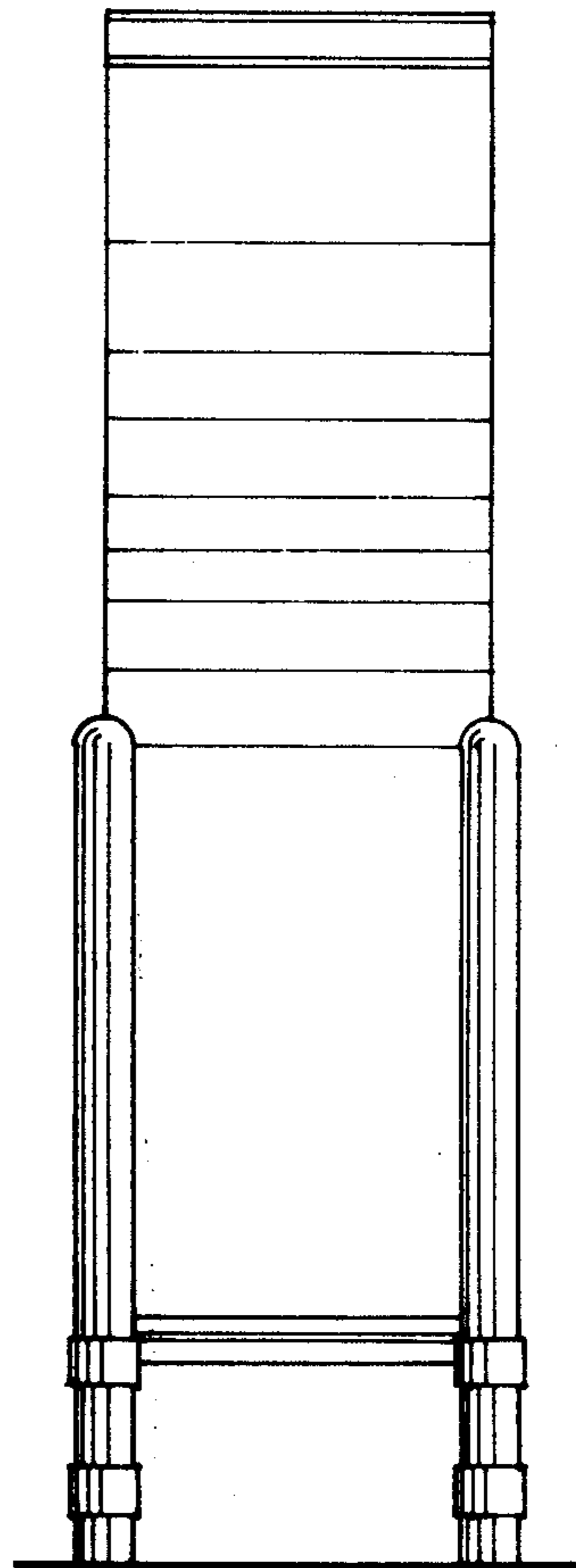


FIG. 4

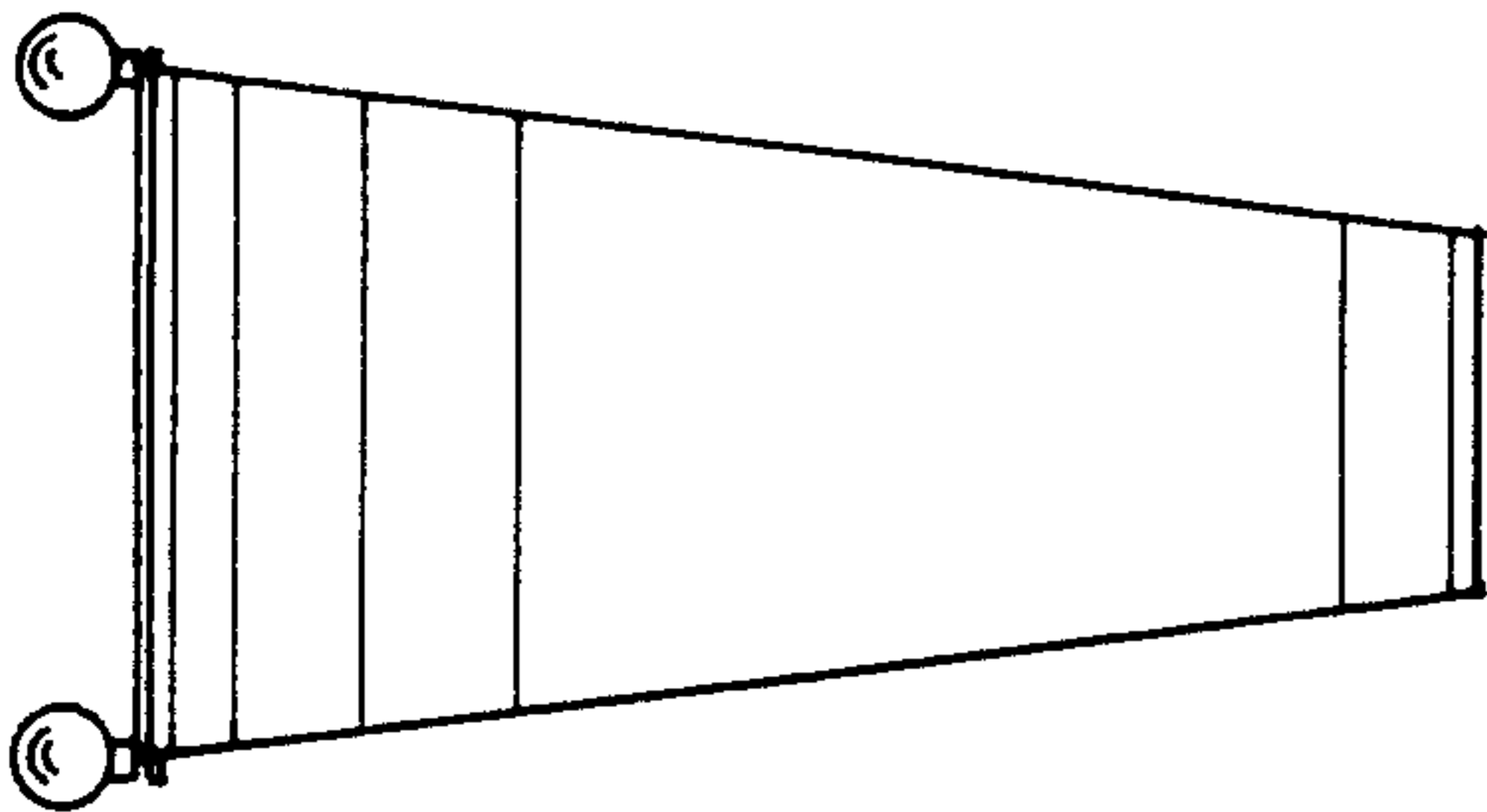


FIG. 5

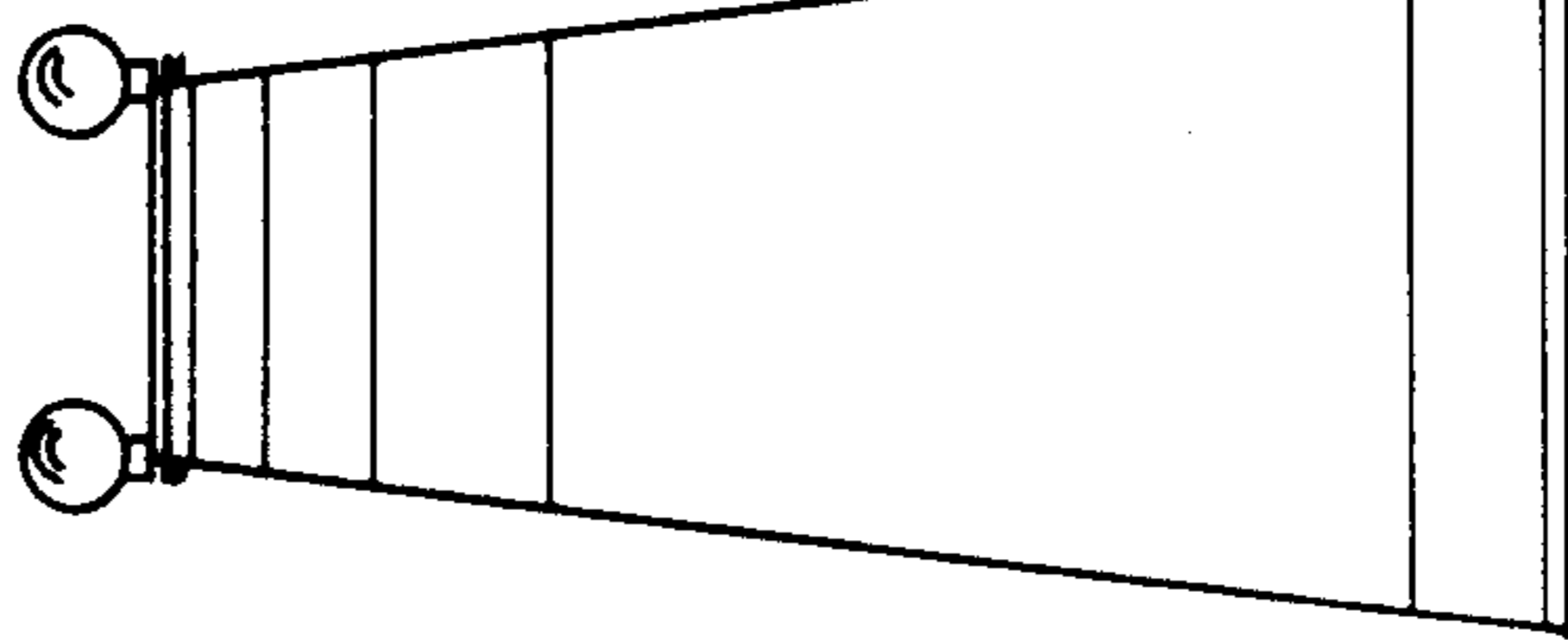


FIG. 6