

[54] **EARPLUG** 2,888,921 6/1959 Nielson D24/67 X
 3,871,372 3/1975 Bivins 128/152
 4,160,449 7/1979 Wade 128/152

[75] Inventor: **Hidetaka Takeda**, Fukuoka, Japan

[73] Assignee: **Daiko Co., Ltd.**, Fukuoka, Japan

[**] Term: **14 Years**

[21] Appl. No.: **1,340**

[22] Filed: **Jan. 5, 1979**

[51] Int. Cl. **D24-04**
 [52] U.S. Cl. **D24/67**
 [58] Field of Search D24/67; 128/151, 152;
 181/22, 128, 129, 130; 179/107 E

Primary Examiner—Bernard Ansher
Attorney, Agent, or Firm—Jordan and Hamburg

[57] **CLAIM**

The ornamental design for an earplug, as shown.

DESCRIPTION

FIG. 1 is a front view of an earplug showing my new design;
 FIG. 2 is a rear view thereof;
 FIG. 3 is a plan view thereof;
 FIG. 4 is a right side view thereof;
 FIG. 5 is a cross-sectional view taken along line 5—5 of FIG. 1;
 FIGS. 6 and 7 are cross-sectional views taken along lines 6—6 and 7—7 respectively of FIG. 3.

[56] **References Cited**
U.S. PATENT DOCUMENTS
 D. 195,322 5/1963 Hill D24/67
 D. 235,483 6/1975 Leight D24/67

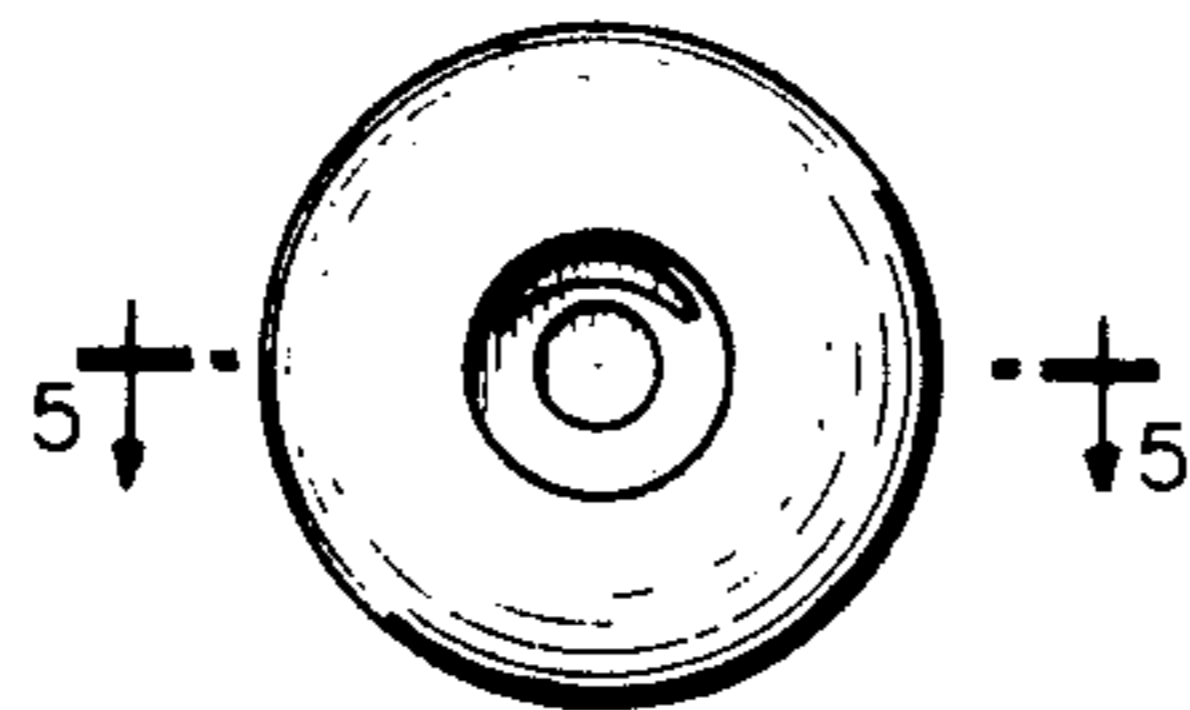


FIG. 3.

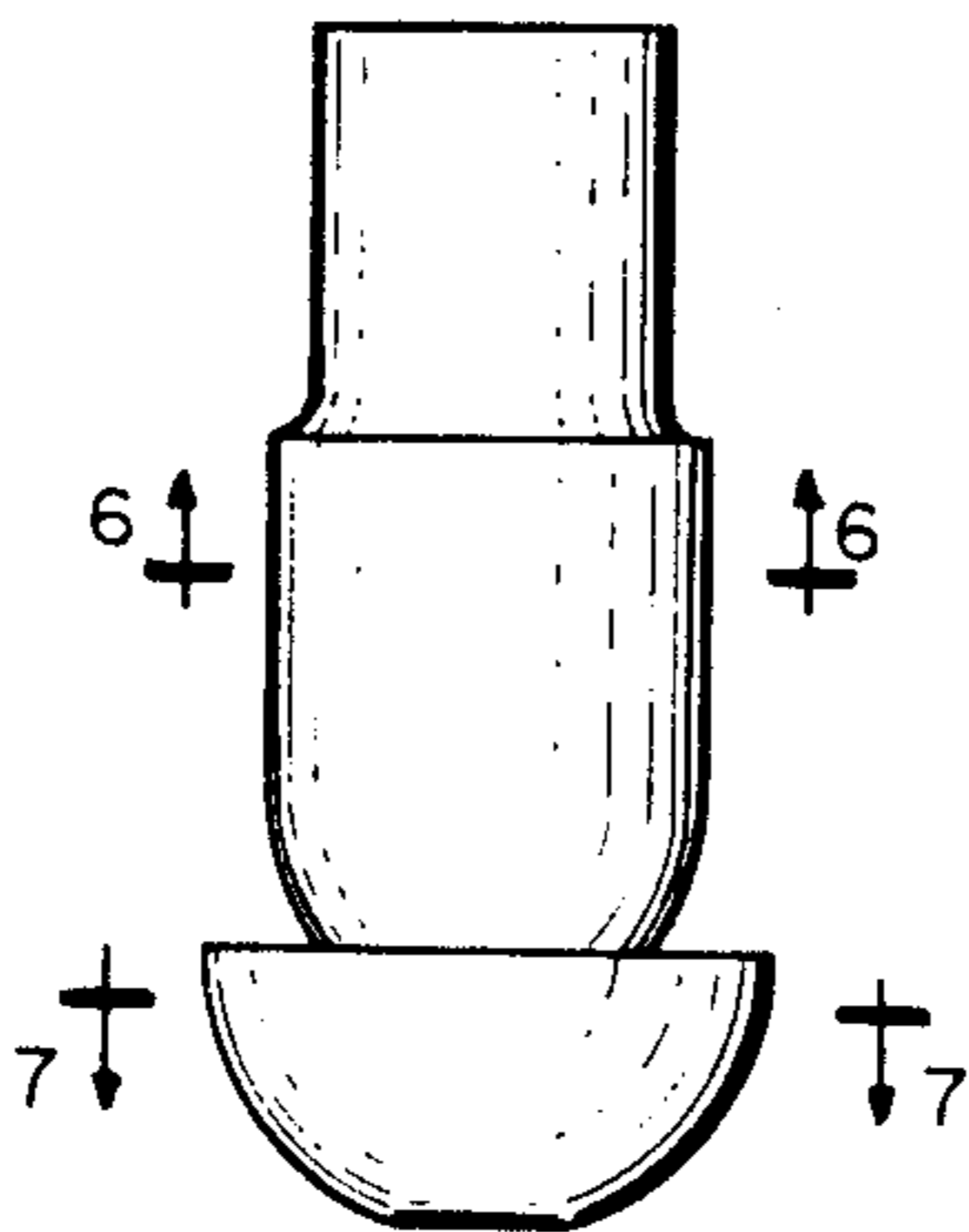


FIG. 1.

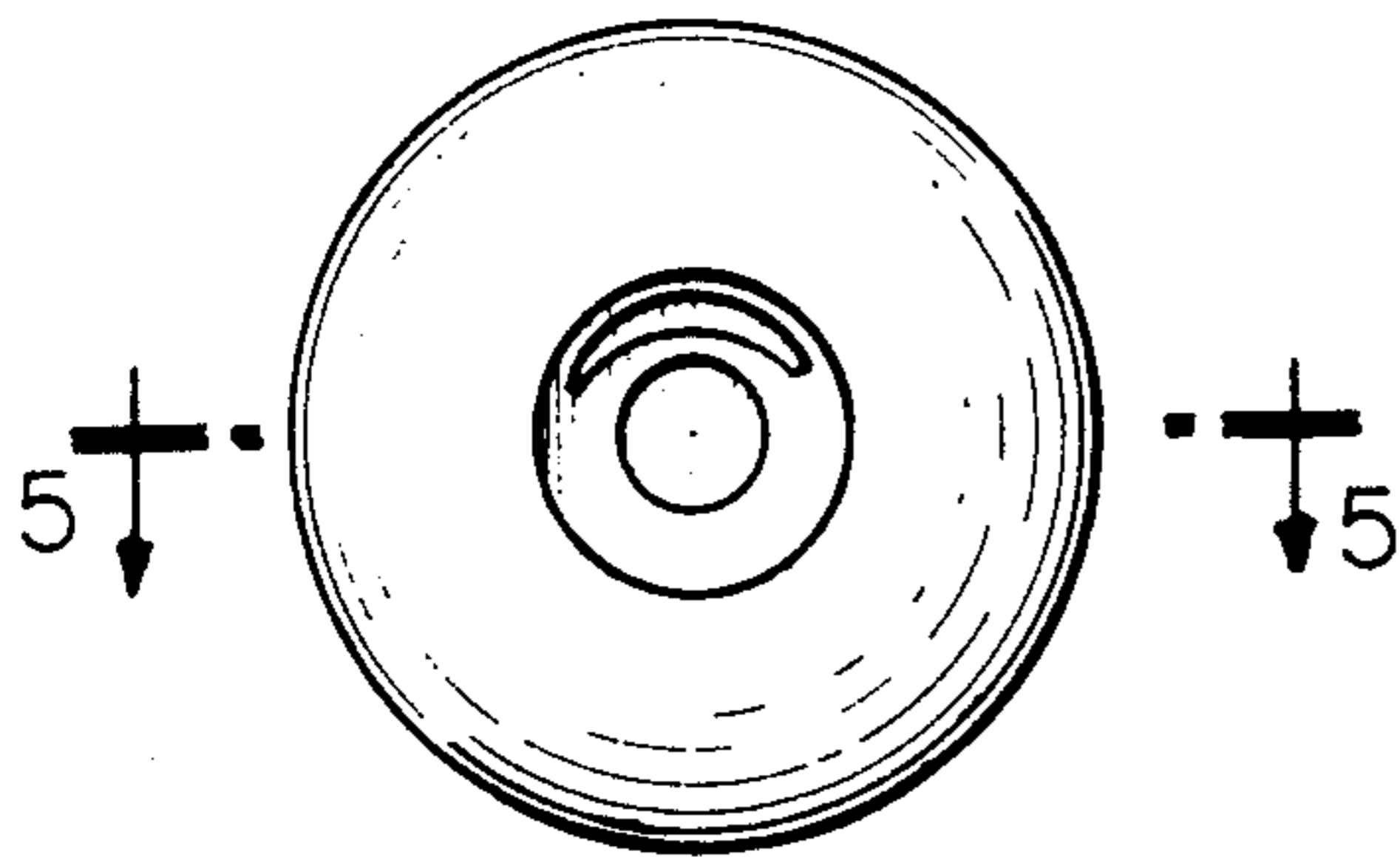


FIG. 2.

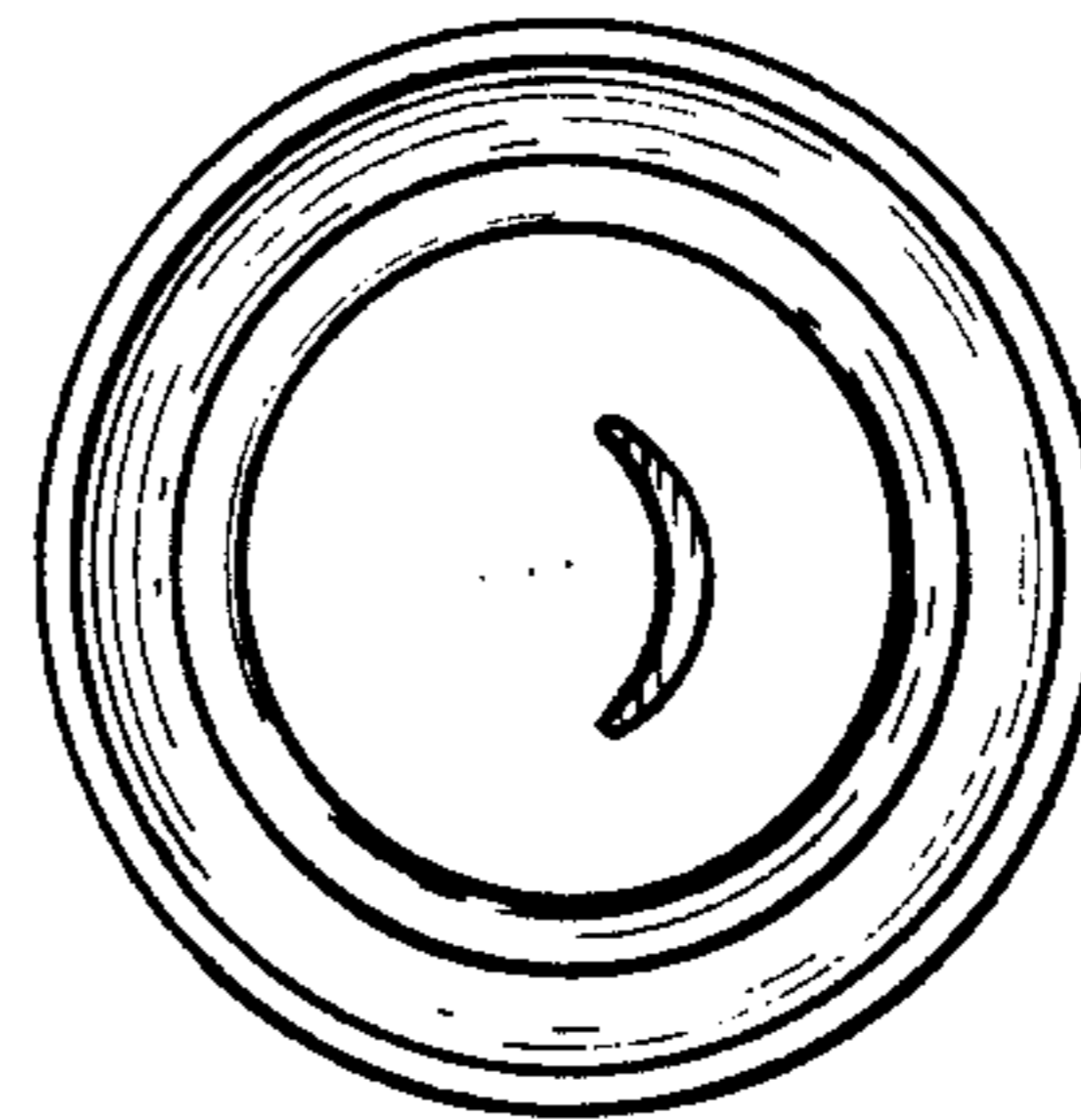


FIG. 3.

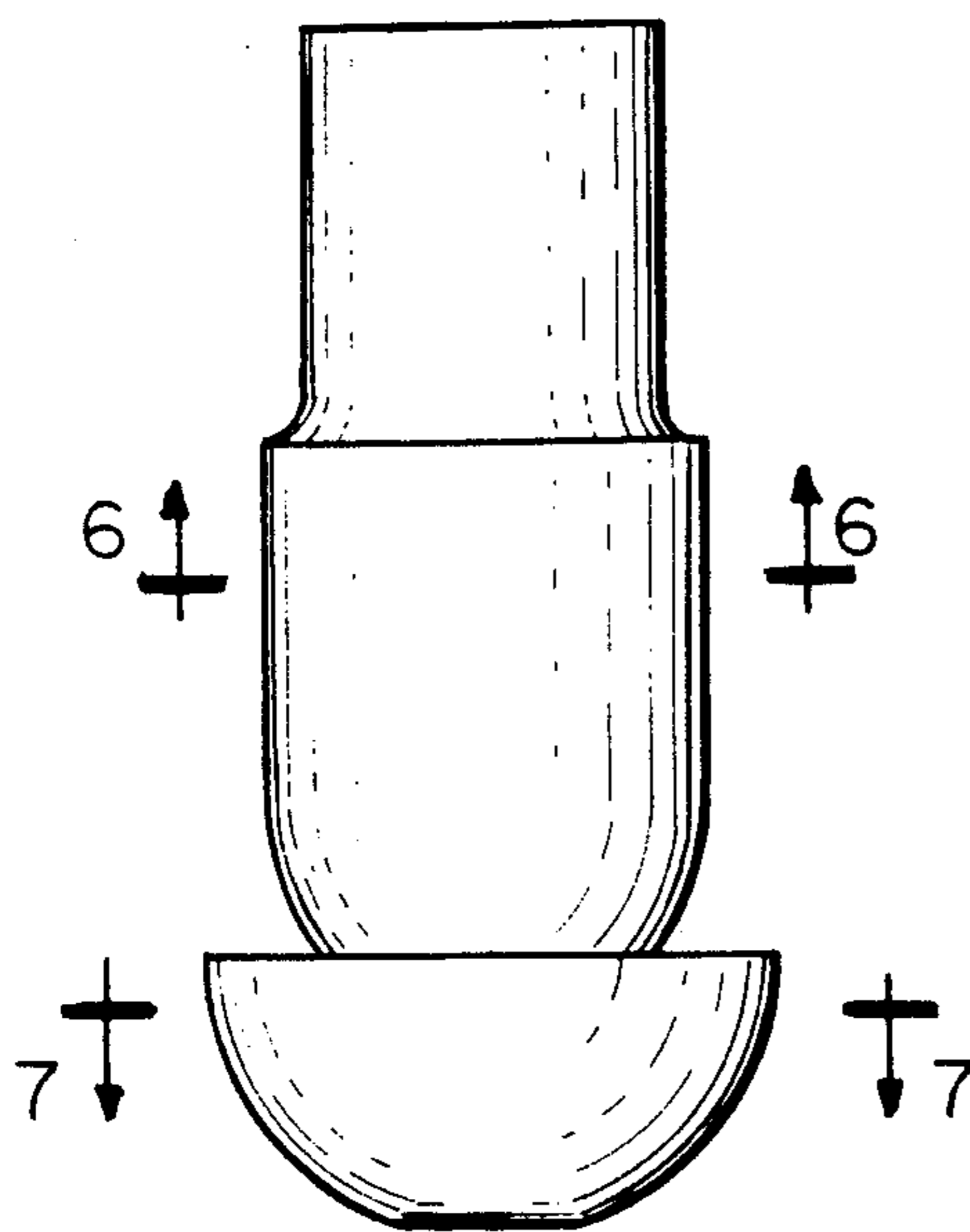


FIG. 4.

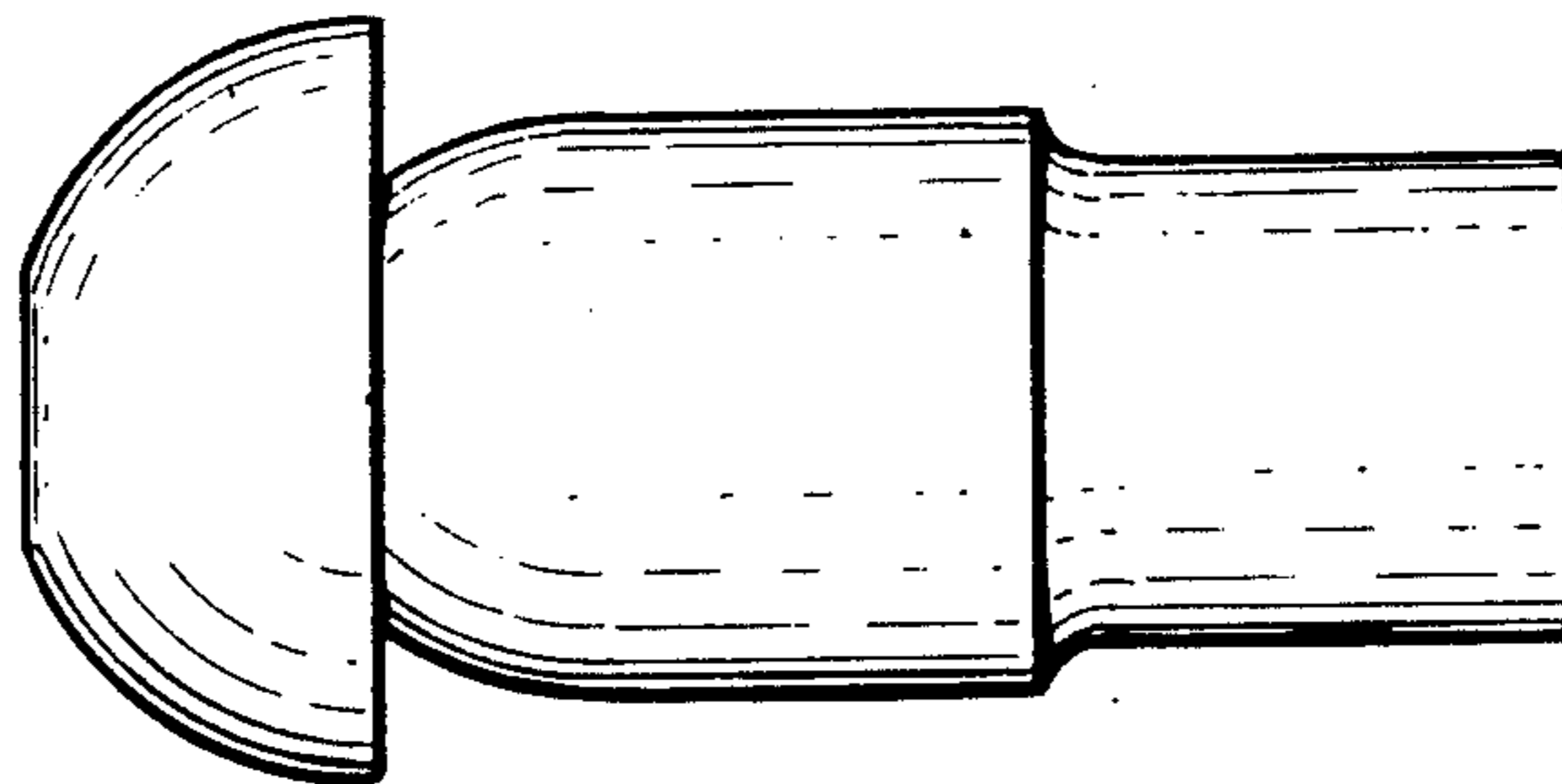


FIG. 5.

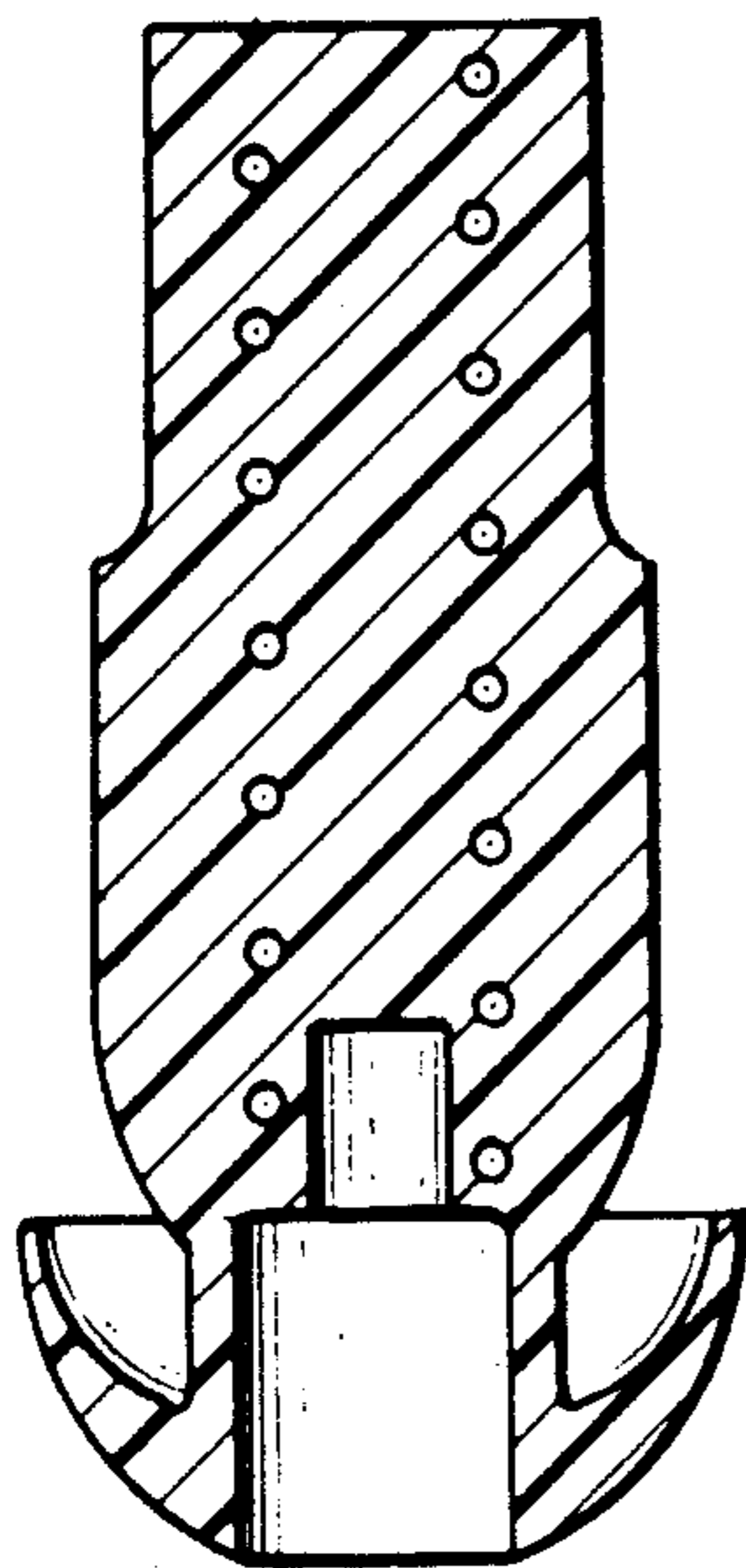


FIG. 7.

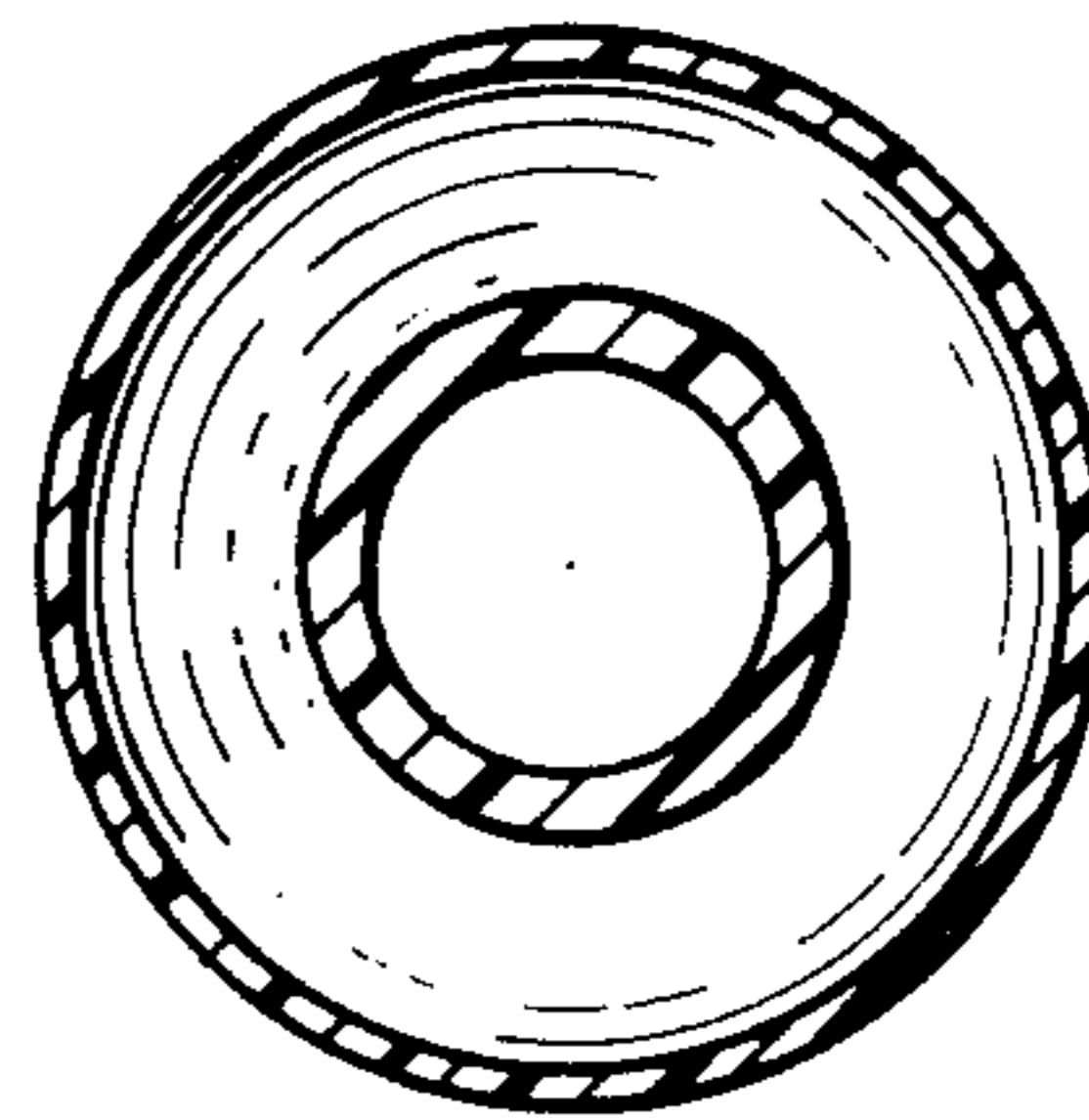


FIG. 6.

