

[54] VENTILATOR HOUSING

[76] Inventor: Theodore V. McDermott, 165 Hale Ave., White Plains, N.Y. 10605

[**] Term: 14 Years

[21] Appl. No.: 926,264

[22] Filed: Jul. 19, 1978

[51] Int. Cl. D23-04

[52] U.S. Cl. D23/151

[58] Field of Search D23/139-153; 98/99 A, 99.6, 114; 62/262, 263

[56] References Cited

U.S. PATENT DOCUMENTS

- D. 246,378 11/1977 Mueller D23/141
- D. 246,379 11/1977 Mueller D23/141
- 2,549,547 4/1951 Trask 62/263 X

- 2,917,128 12/1959 Tatay 62/262 X
- 2,978,978 4/1961 Sweedyk et al. 62/262 X
- 3,296,820 1/1967 Bauman 62/262

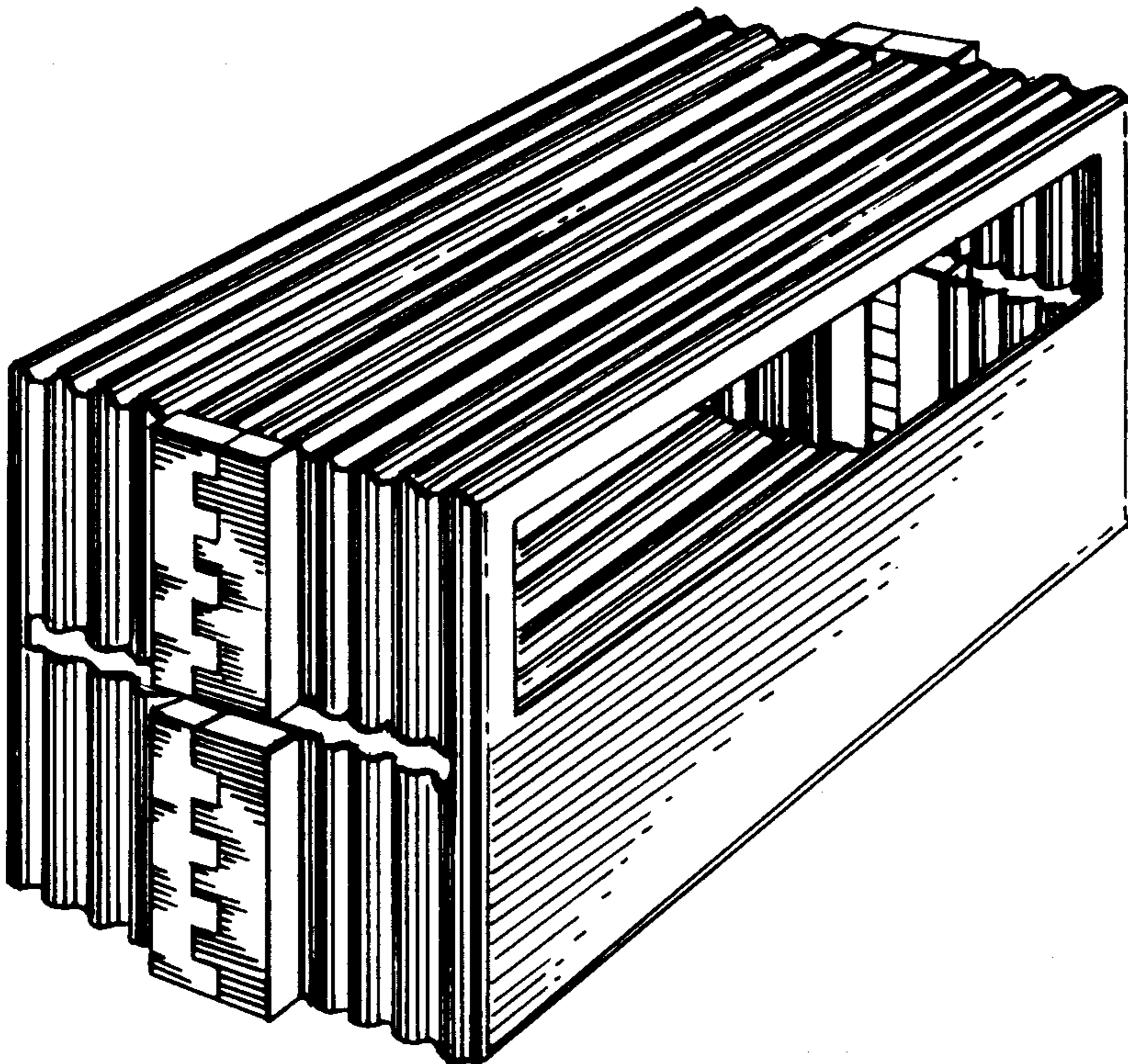
Primary Examiner—James R. Largen
Attorney, Agent, or Firm—Spencer & Kaye

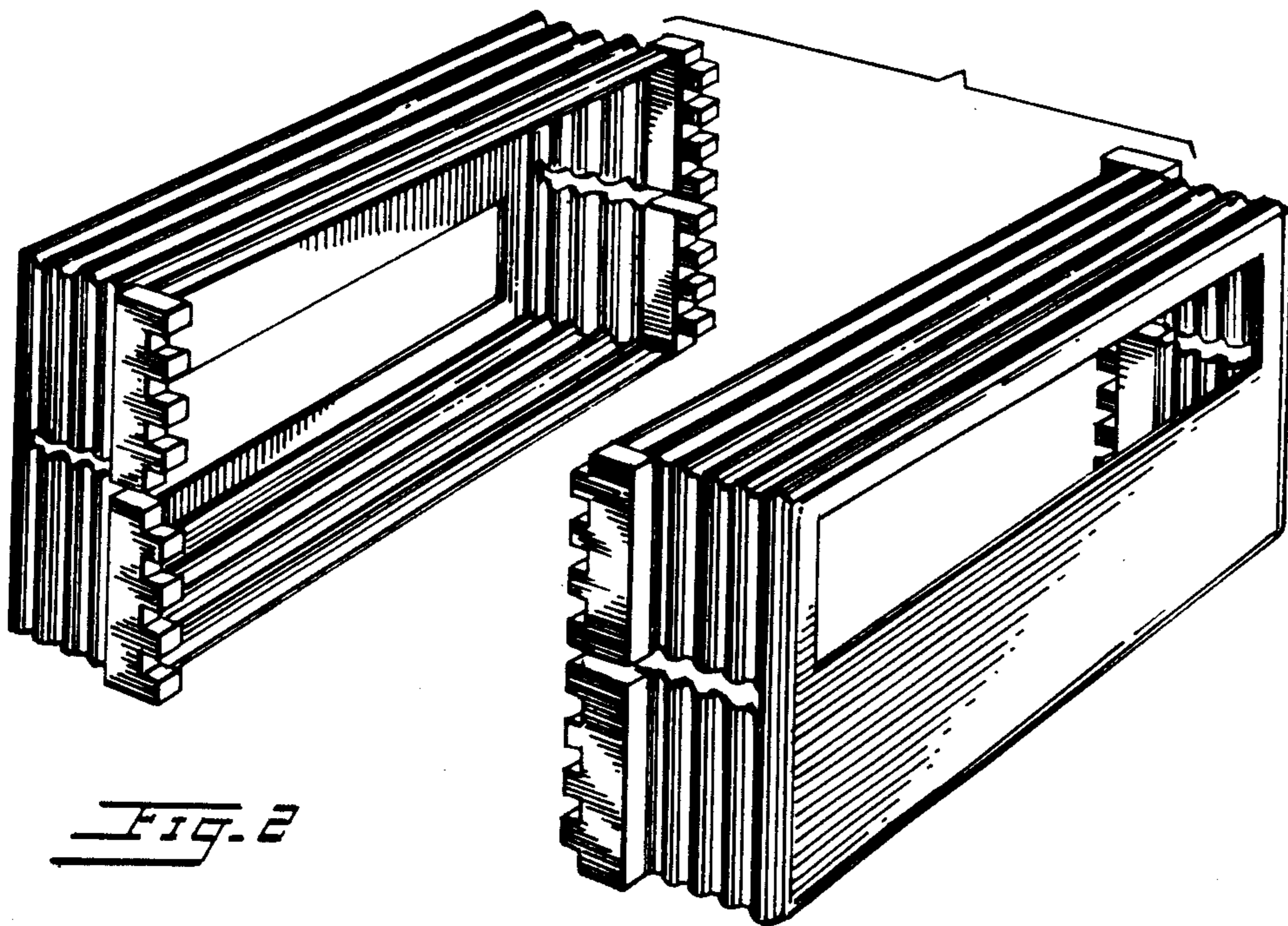
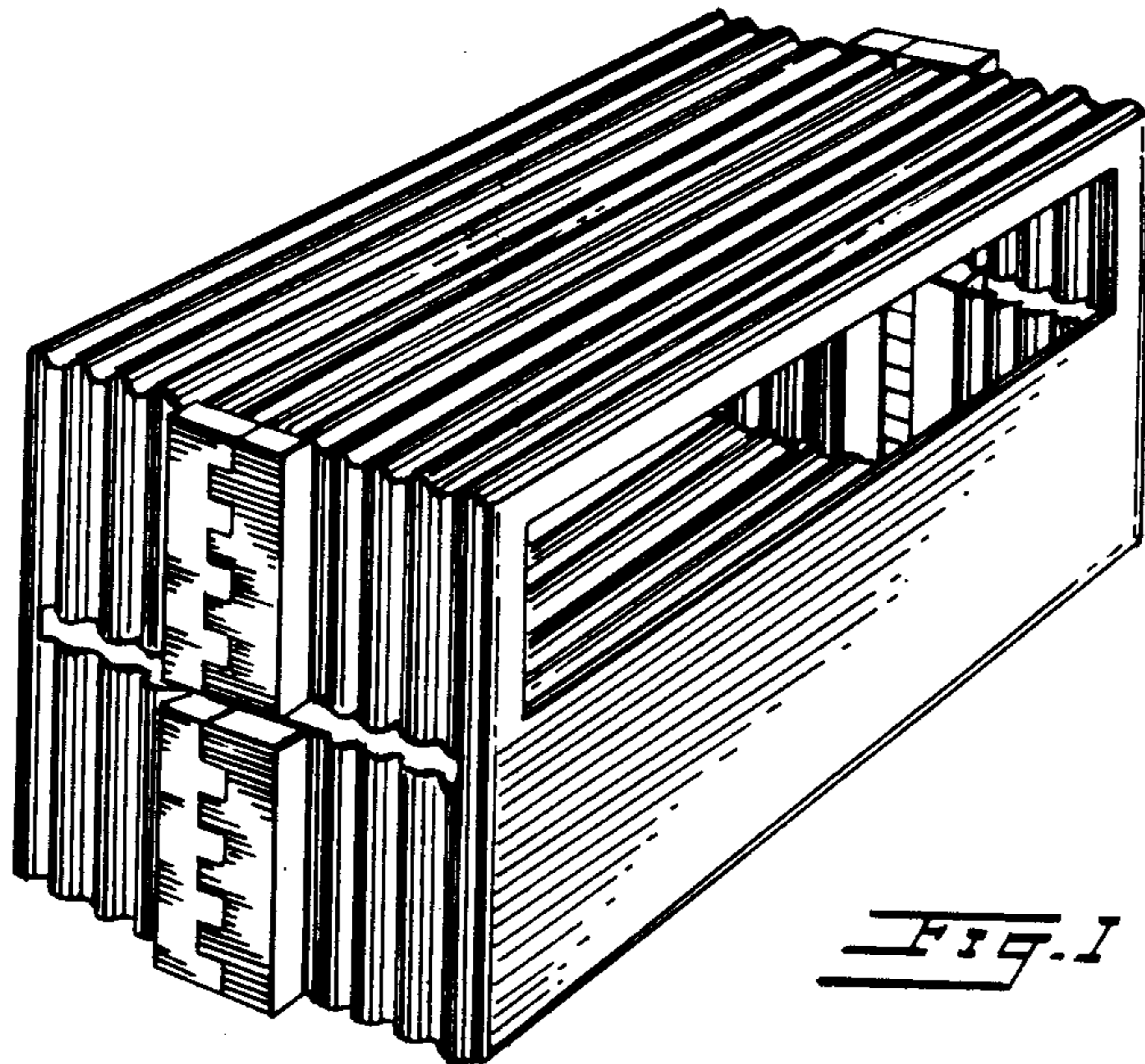
[57] CLAIM

The ornamental design for ventilator housing, as shown.

DESCRIPTION

FIG. 1 is a perspective view of a ventilator housing showing my new design; FIG. 2 is an exploded perspective view thereof; FIG. 3 is a front elevational view thereof; FIG. 4 is a rear elevational view thereof; FIG. 5 is a left end elevational view thereof; FIG. 6 is a right end elevational view thereof; and FIG. 7 is a bottom plan view thereof.





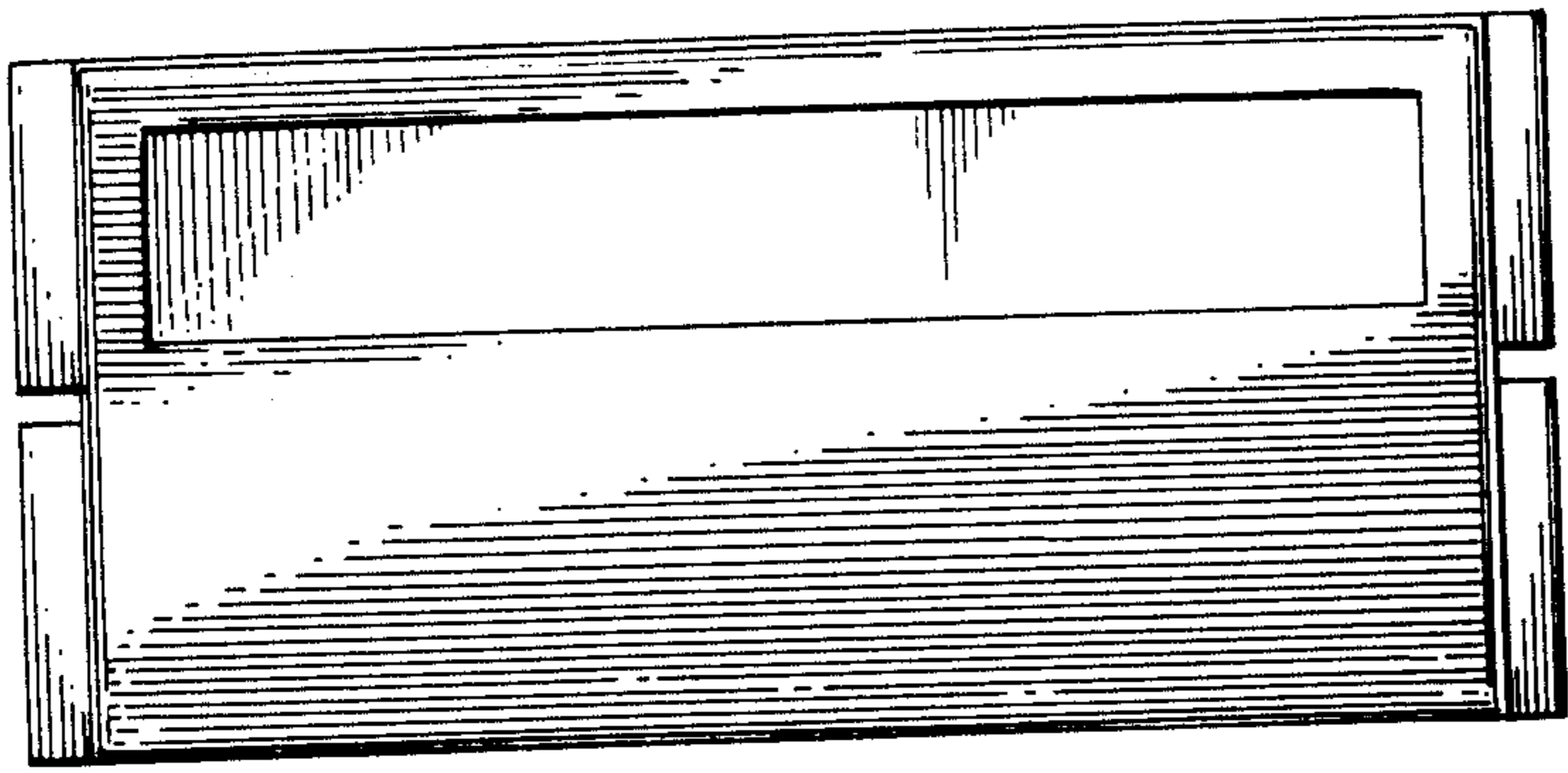


Fig. 3

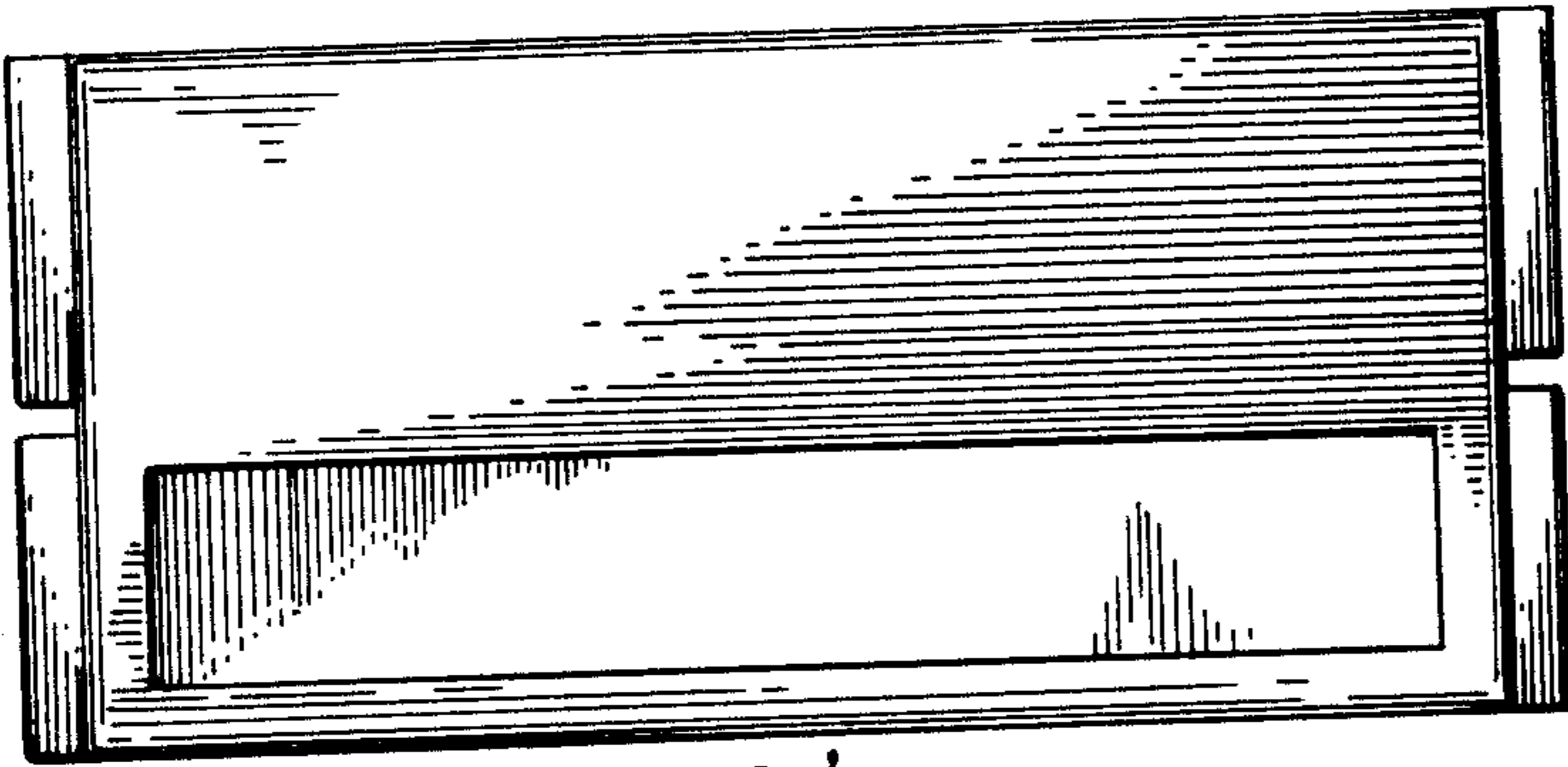


Fig. 4

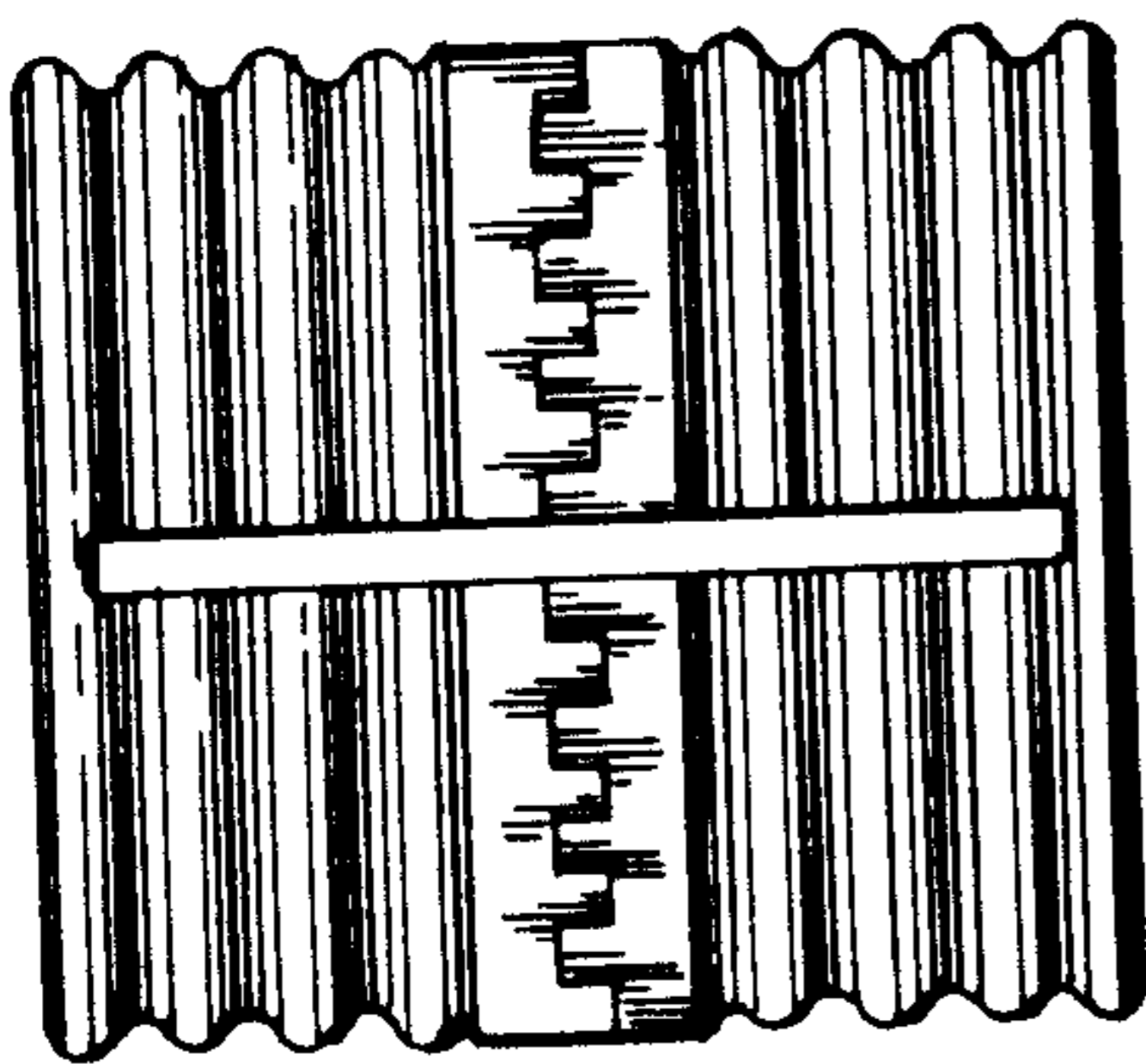


Fig. 5

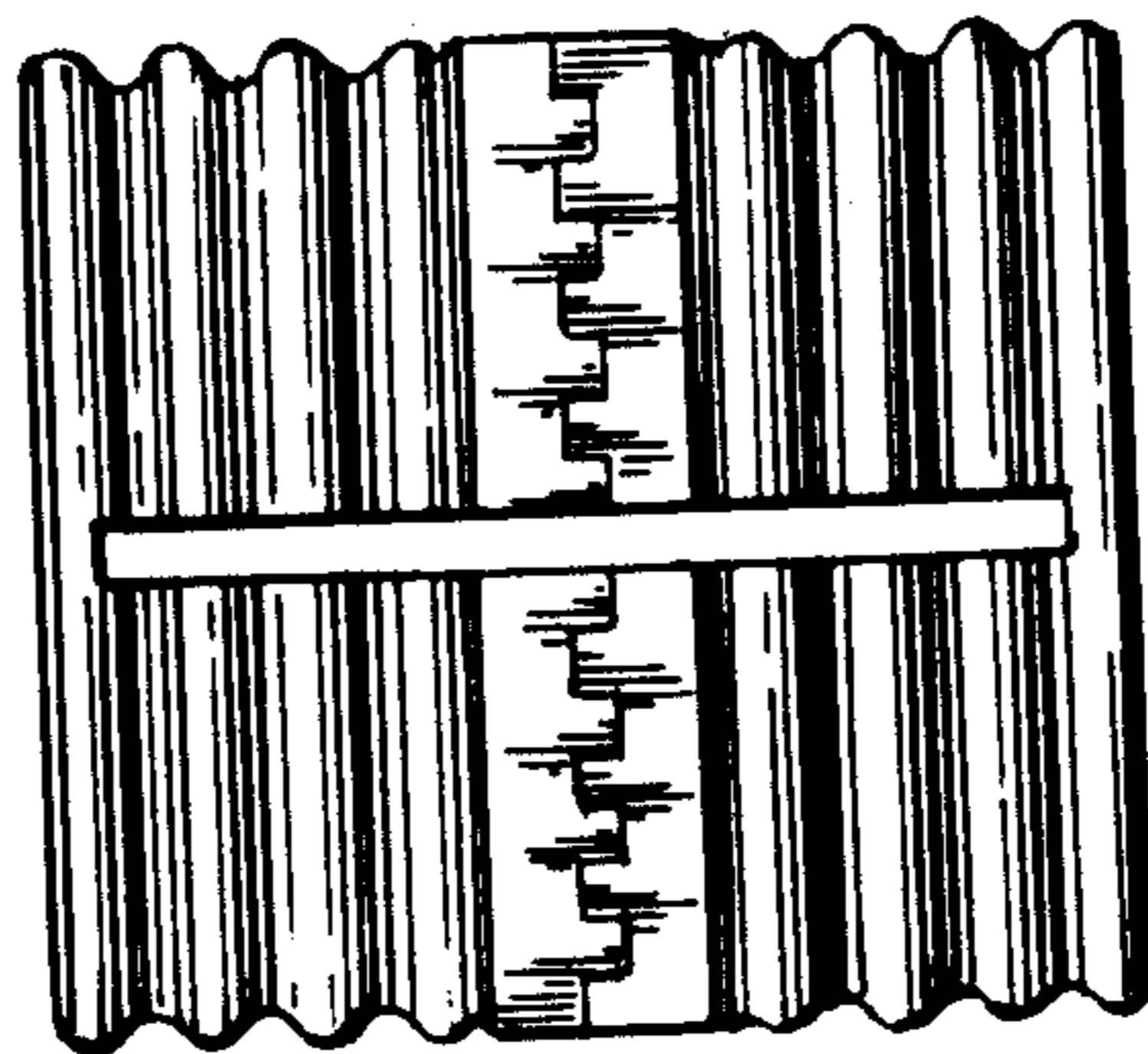


Fig. 6

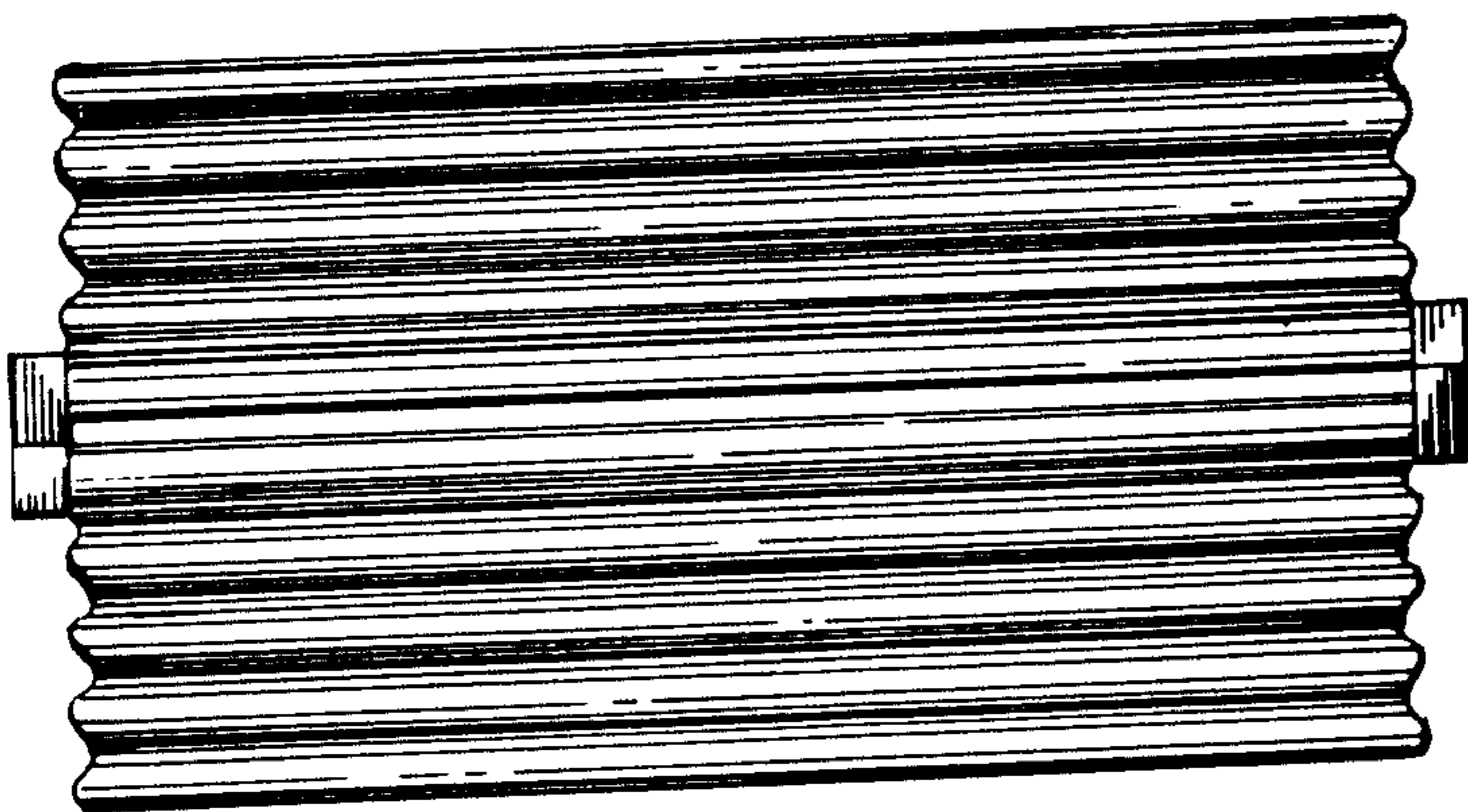


Fig. 7